

# AP SCHEMETIC

1. Contents
2. Power Tree
3. PMU 1
4. PMU 2
5. SOC GPIO/Func Interface
6. SOC Media Interface
7. SOC Memory Interface
8. SOC RF Interface
9. SOC PWR Interface1
10. SOC PWR Interface2
11. SOC GND
12. EMMC+LPDDR3
13. Battery management/Battery
14. Charge Management
15. 3.5 Headphone port
16. LCD interface /LCD backlight driver
17. SIM card
18. SPK MIC
19. MINIISP
20. Sensor/Status indicator
21. Main Camera and Flash LED
22. Slave Camera
23. FPC connetor
24. Codec
25. Audience
26. Audience
27. RESERVED
28. RESERVED
29. RESERVED
30. Test Points/JTAG/Shields

# MODEM SCHEMETIC

- 31.RF Interface
- 32.RF PMU
- 33.RF Transceiver
- 34.Reserved
- 35.Reserved
- 36.Reserved
- 37.RF Front End LW B1/B2/B3/B5/B8 TRX
- 38.RF Front End MMBPA+Switch /Main ANT
- 39.RF Front End MAIN ANT TUNNER
40. CDMA Modem
41. CDMA Modem
42. CDMA Modem
43. CDMA Modem
44. Reserved for CDMA Modem
45. Reserved for CDMA Modem
46. Reserved for CDMA Modem
47. Reserved for CDMA Modem
48. Reserved for CDMA Modem
49. RESERVED
50. RESERVED
51. Reserved
52. BT/WLAN/FM
53. BT/WLAN/FM
54. WIFI\_RF\_FrontEnd\_2.4GHz
55. WIFI\_RF\_FrontEnd\_5GHz
56. GPS
57. NFC
58. RF Transceiver2
59. RFIC2\_GSM PA+Switch+RX
60. RF PMU2

The type and specification of the components refer to the BOM

				NA	2013/10/8
				ECA NO	DATE
DESIGNED	Chenjiang 00189391	HL2CSOPHIAMP		03022PXF_SCHZH	
REVIEWED	CHAOKANGJIE 00132205				
		VER	PART_NUMBER	SHEET 1 OF 61	
		A	03022PXF	HUAWEI TECH CO.,LTD.	



## 2. Power Tree

A

A

B

B

C

C

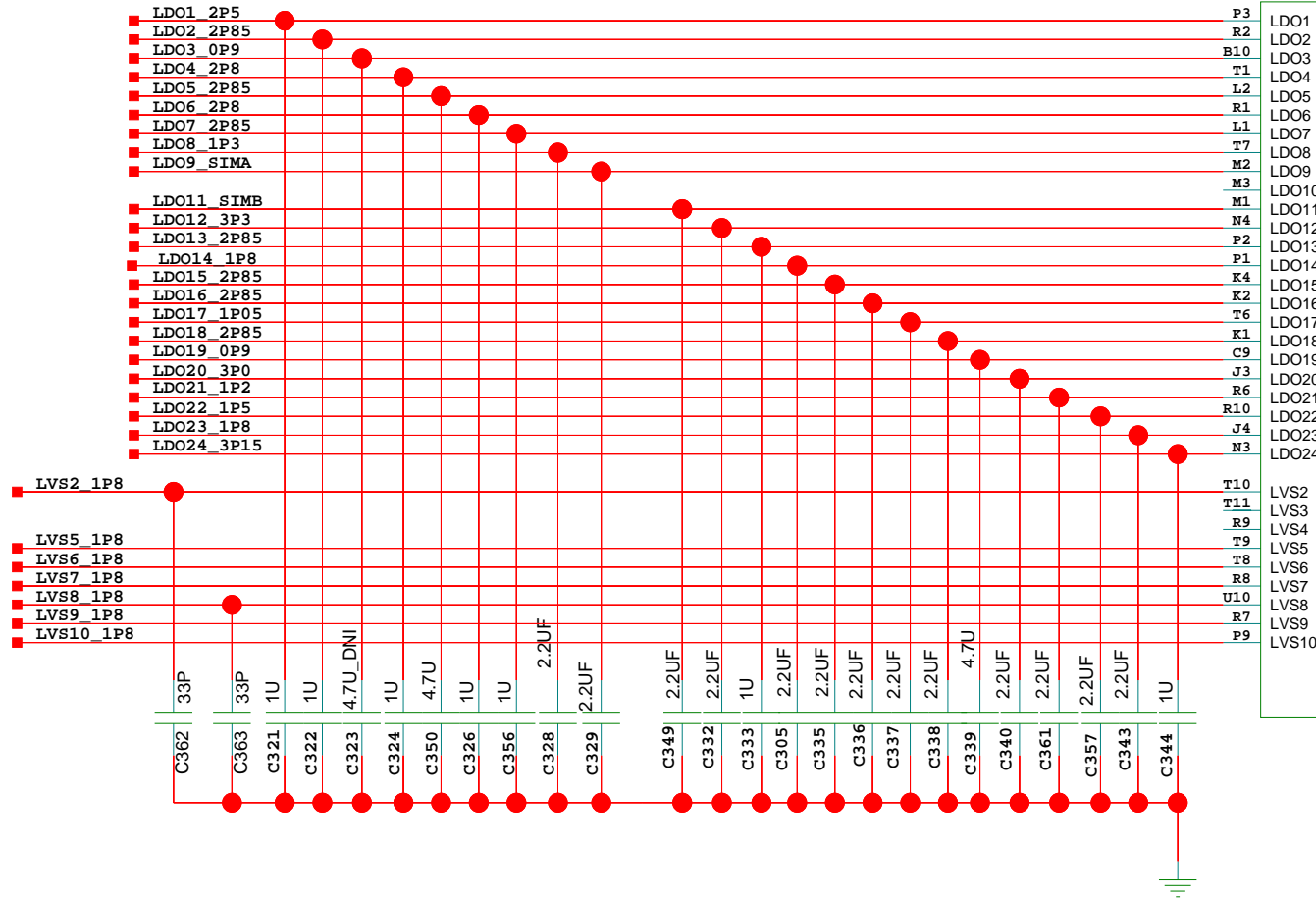
D

D

The type and specification of the components refer to the BOM

				NA	2013/10/8
				ECA NO	DATE
DESIGNED	Chenjiang 00189391	HL2CSOPHIAMP		03022PXF_SCHZH	
REVIEWED	CHAOKANGJIE 00132205	VER	PART_NUMBER	SHEET 2 OF 61	
		A	03022PXF	HUAWEI TECH CO.,LTD.	

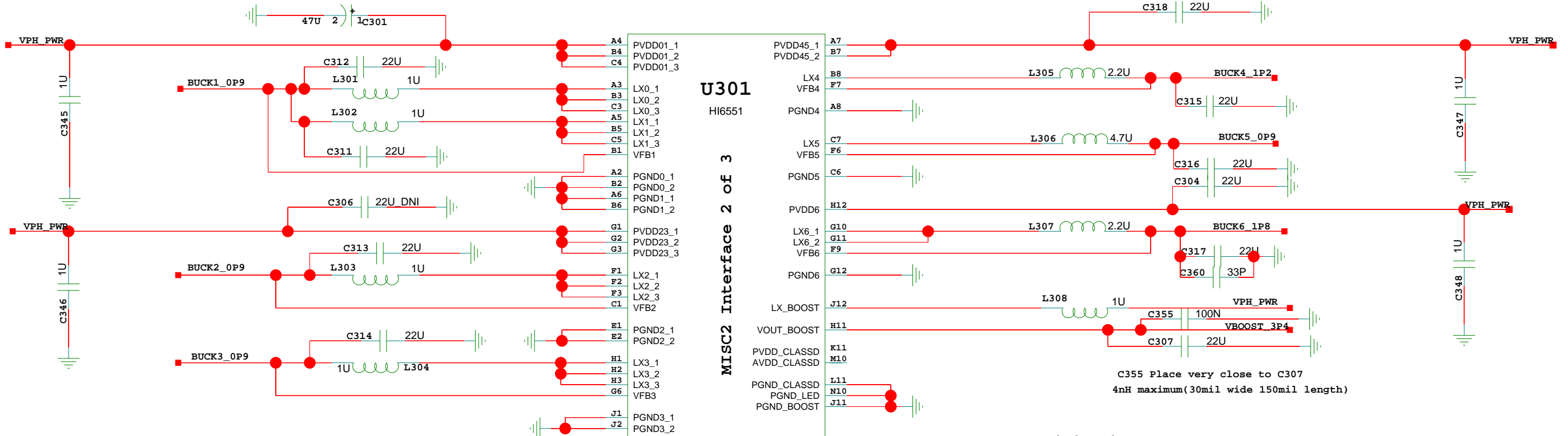
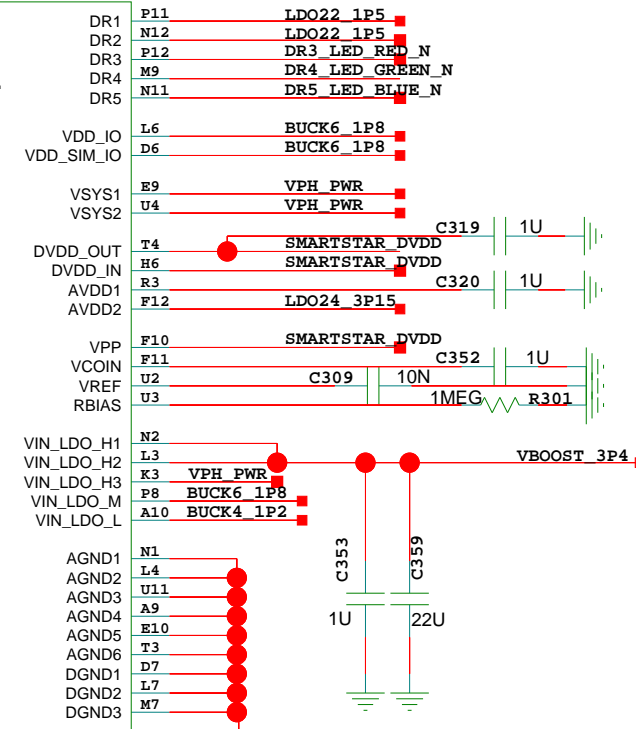
### 3. PMU 1



U301

HI6551

MISC1 Interface 1 of 3



U301

HI6551

MISC2 Interface 2 of 3

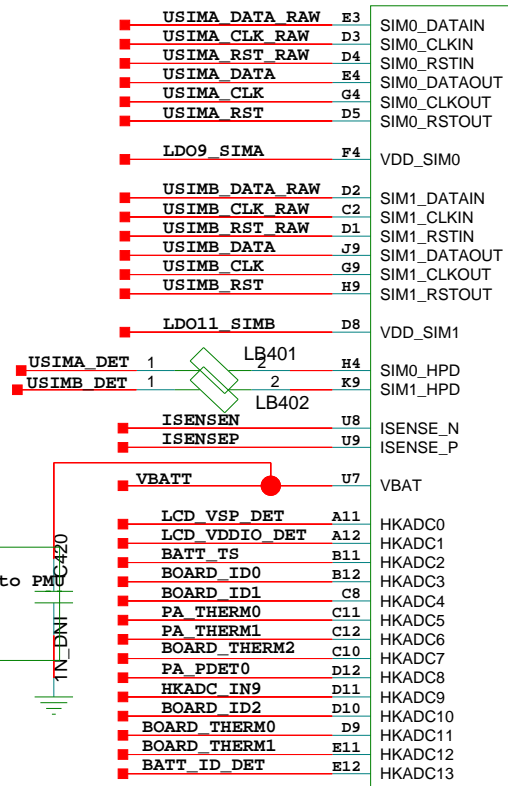
C355 Place very close to C307  
4nH maximum(30mil wide 150mil length)

The type and specification of the components refer to the BOM

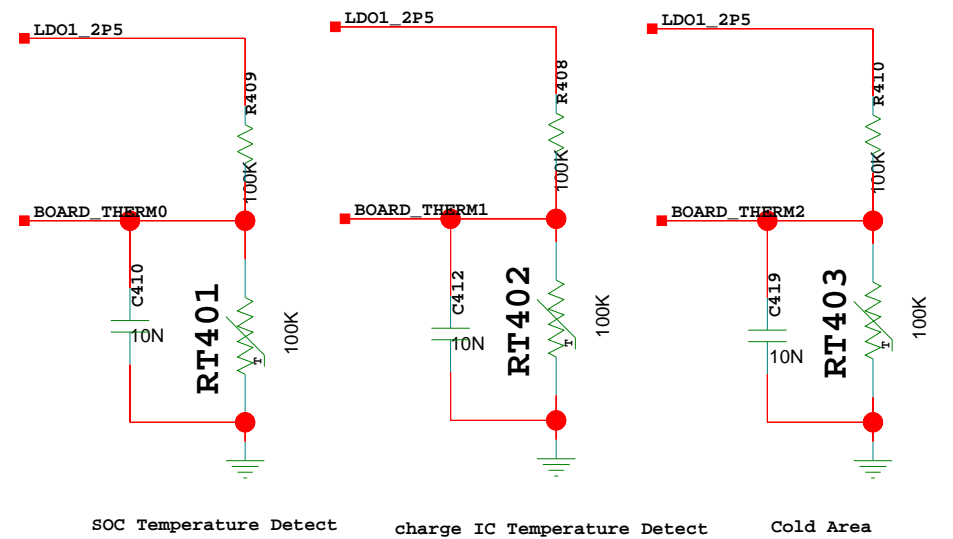
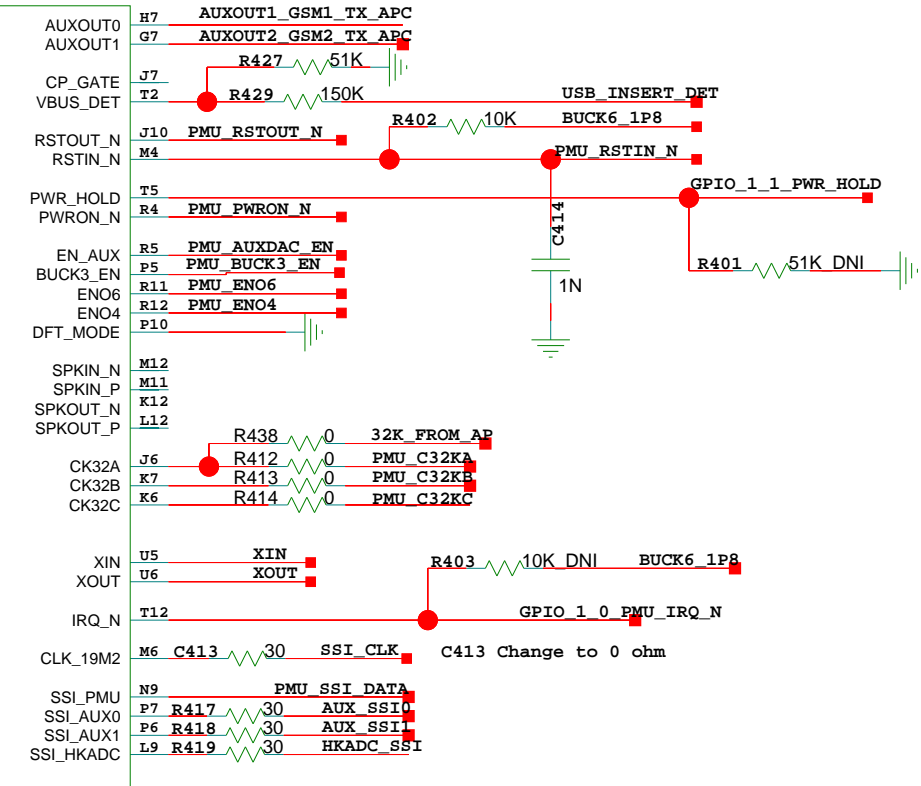
DESIGNED	Chenjiang 00189391	HL2CSOPHIAMP	03022PXF_SCHZH
REVIEWED	CHAOKANGJIE 00132205	VER	PART_NUMBER
		A	03022PXF
			SHEET 3 OF 61
			HUAWEI TECH CO.,LTD.



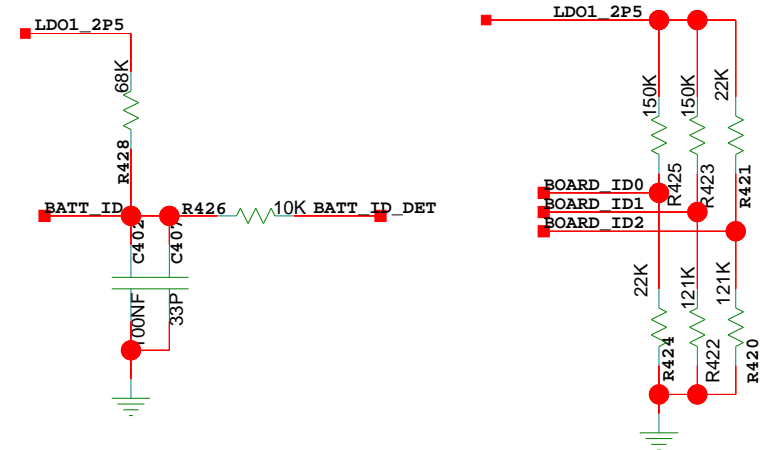
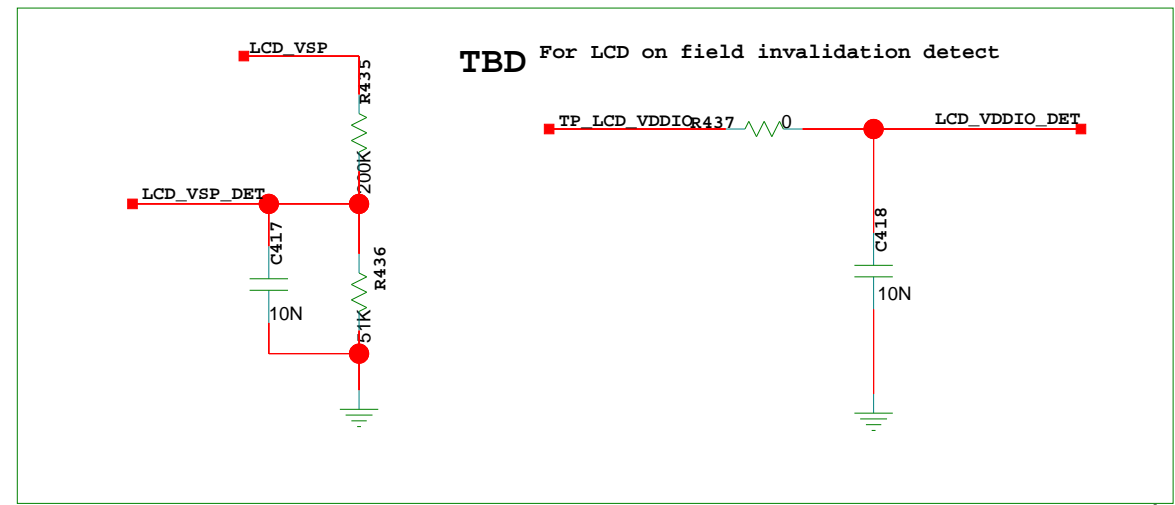
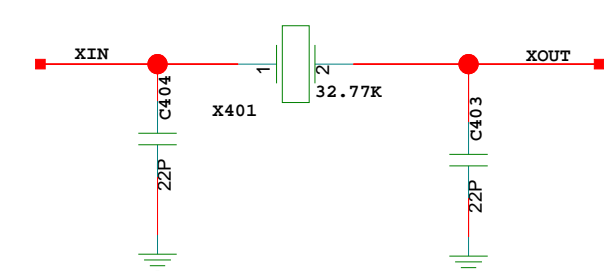
# 4. PMU 2



**U301**  
HI6551  
**MISC3 Interface 3 of 3**



debug point  
place close to PMU



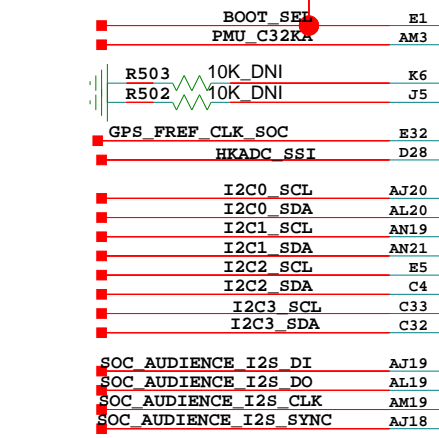
The type and specification of the components refer to the BOM

DESIGNED	Chenjiang 00189391	HL2CSOPHIAMP	03022PXF_SCHZH
REVIEWED	CHAOKANGJIE 00132205		
VER	A	PART_NUMBER	03022PXF
ECA NO	NA	DATE	2013/10/8
		SHEET	4 OF 61
		HUAWEI TECH CO.,LTD.	

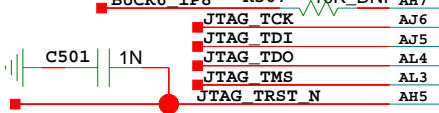


# 5. SOC GPIO/Func Interface

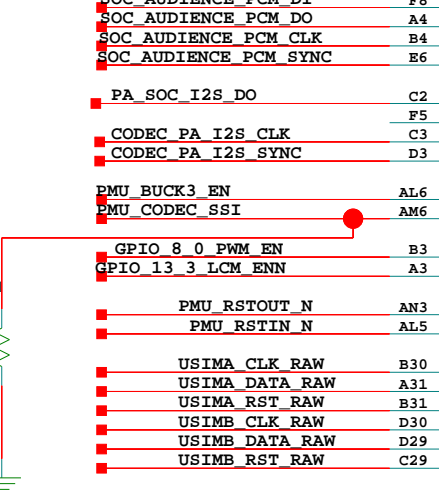
BUCK6 1P8 R532 10K DNI



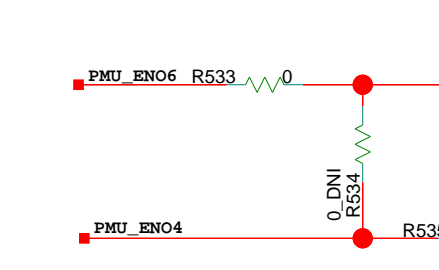
BOOT_SEL/GPIO_14_7 CLKIN_SLEEP	E1	SD_CLK/GPIO_8_2 SD_CMD/GPIO_8_3	AN13R540
FUN_MODE0	K6	SD_DATA0/GPIO_8_4 SD_DATA1/GPIO_8_5 SD_DATA2/GPIO_8_6 SD_DATA3/GPIO_8_7	AM13
GPS_CLK	E32	SDIO_CLK/GPIO_12_4 SDIO_CMD/GPIO_12_5	AM15
HKADC_SSI	D28	SDIO_DATA0/GPIO_12_6 SDIO_DATA1/GPIO_12_7 SDIO_DATA2/GPIO_13_0 SDIO_DATA3/GPIO_13_1	AM15
I2C0_SCL	AJ20	SSI_CLK	AN6
I2C0_SDA	AL20		
I2C1_SCL	AN19		
I2C1_SDA	AN21		
I2C2_SCL	E5		
I2C2_SDA	C4		
I2C3_SCL	C33		
I2C3_SDA	C32		
I2S_DI	AJ19		
I2S_DO	AL19		
I2S_CLK	AM19		
I2S_SYNC	AJ18		
I2S_XFS			



JTAG_MODE	AH7	UART0_RXD	AN22
JTAG_TCK	AJ6	UART0_TXD	AL21
JTAG_TDI	AJ5	UART1_CTS_N/GPIO_13_4	AM22
JTAG_TDO	AL4	UART1_RTS_N/GPIO_13_5	AM21
JTAG_TMS	AL3	UART1_RXD/GPIO_13_6	AH21
JTAG_TRST_N	AH5	UART1_SIRIN	AL22
JTAG_TRST_N	AH5	UART1_TXD/GPIO_13_7	
JTAG_TRST_N	AH5	UART1_SIROUT	
PCM0_DI/GPIO_11_7	F8	UART2_CTS_N/GPIO_16_0	AJ21
PCM0_DO/GPIO_12_0	A4	UART2_RTS_N/GPIO_16_1	AN24
PCM0_XCLK/GPIO_11_5	B4	UART2_RXD/GPIO_11_4	AM24
PCM0_XFS/GPIO_11_6	B6	UART2_TXD/GPIO_18_6	AL23
PCM1_DI/GPIO_19_7	C2	UART3_CTS_N/GPIO_16_2	E2
PCM1_DO	F5	UART3_RTS_N/GPIO_16_3	H5
PCM1_XCLK/GPIO_19_5	D3	UART3_RXD/GPIO_16_4	F3
PCM1_XFS/GPIO_19_6	D3	UART3_TXD/GPIO_16_5	F2
PMU_BUCK3_EN	AL6	UART4_CTS_N/GPIO_17_0	G5
PMU_CODEC_SSI	AM6	UART4_RTS_N/GPIO_17_1	E3
PMU_CODEC_SSI	AM6	UART4_RXD/GPIO_17_2	C1
PMU_CODEC_SSI	AM6	UART4_TXD/GPIO_17_3	J6
PWM_OUT0/GPIO_8_0	B3		
PWM_OUT1/GPIO_13_3	A3		
RSTIN_N	AN3		
RSTOUT_N	AL5		
USIM0_CLK	B30		
USIM0_DATA	A31		
USIM0_RST	B31		
USIM1_CLK/GPIO_12_1	D30		
USIM1_DATA/GPIO_12_2	D29		
USIM1_RST/GPIO_12_3	C29		

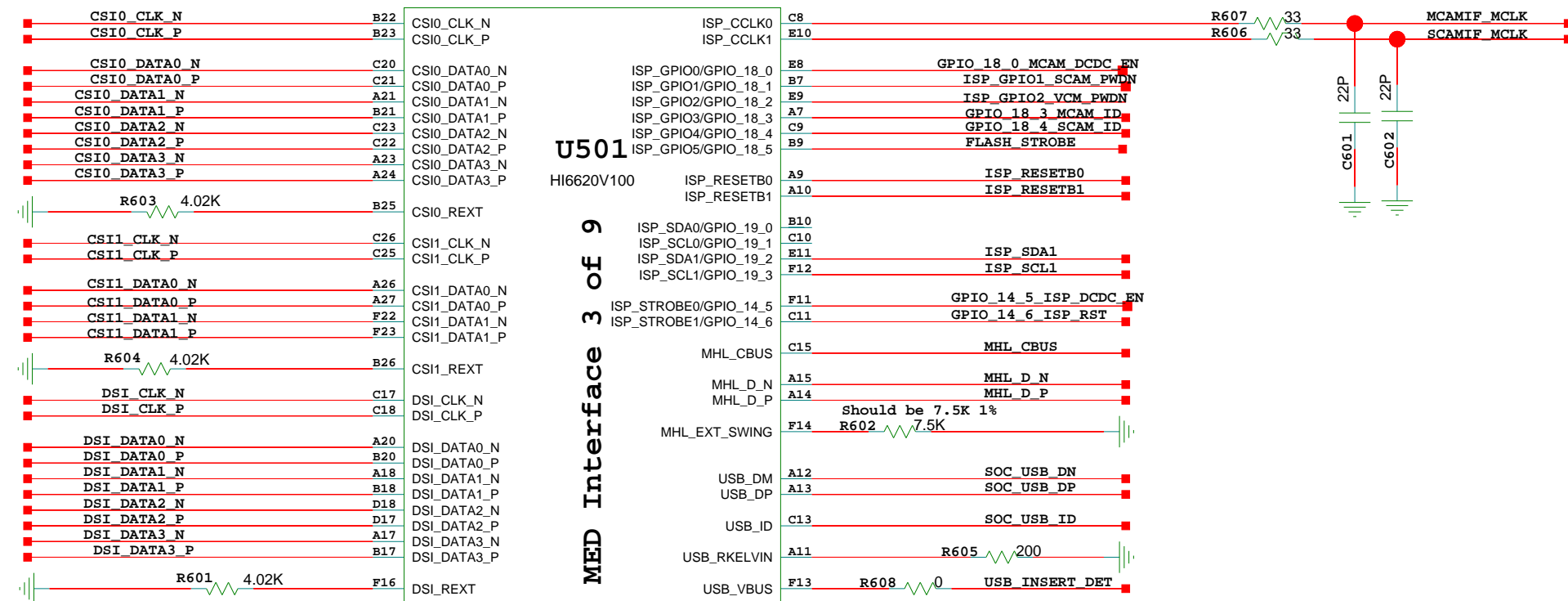


UART1_RXD/GPIO_13_6	AM21	GPIO 13 5 SDIO FCTRL N	AM21
UART1_SIRIN	AL22	GPIO 13 6 SOC CDMA UART1_RXD	AH21
UART1_TXD/GPIO_13_7	AL22	GPIO 13 7 SOC CDMA UART1_TXD	AL22
UART2_CTS_N/GPIO_16_0	AJ21	GPIO 16 0 MODEM RDY	AJ21
UART2_RTS_N/GPIO_16_1	AN24	GPIO 16 1 BQ24192 STATE	AN24
UART2_RXD/GPIO_11_4	AM24	SOC AUDIENCE UART2_RXD	AM24
UART2_TXD/GPIO_18_6	AL23	SOC AUDIENCE UART2_TXD	AL23
UART3_CTS_N/GPIO_16_2	E2	SOC GPS UART3_CTS N	E2
UART3_RTS_N/GPIO_16_3	H5	SOC GPS UART3_RTS N	H5
UART3_RXD/GPIO_16_4	F3	SOC GPS UART3_RXD	F3
UART3_TXD/GPIO_16_5	F2	SOC GPS UART3_TXD	F2
UART4_CTS_N/GPIO_17_0	G5	SOC BT UART4_CTS N	G5
UART4_RTS_N/GPIO_17_1	E3	SOC BT UART4_RTS N	E3
UART4_RXD/GPIO_17_2	C1	SOC BT UART4_RXD	C1
UART4_TXD/GPIO_17_3	J6	SOC BT UART4_TXD	J6





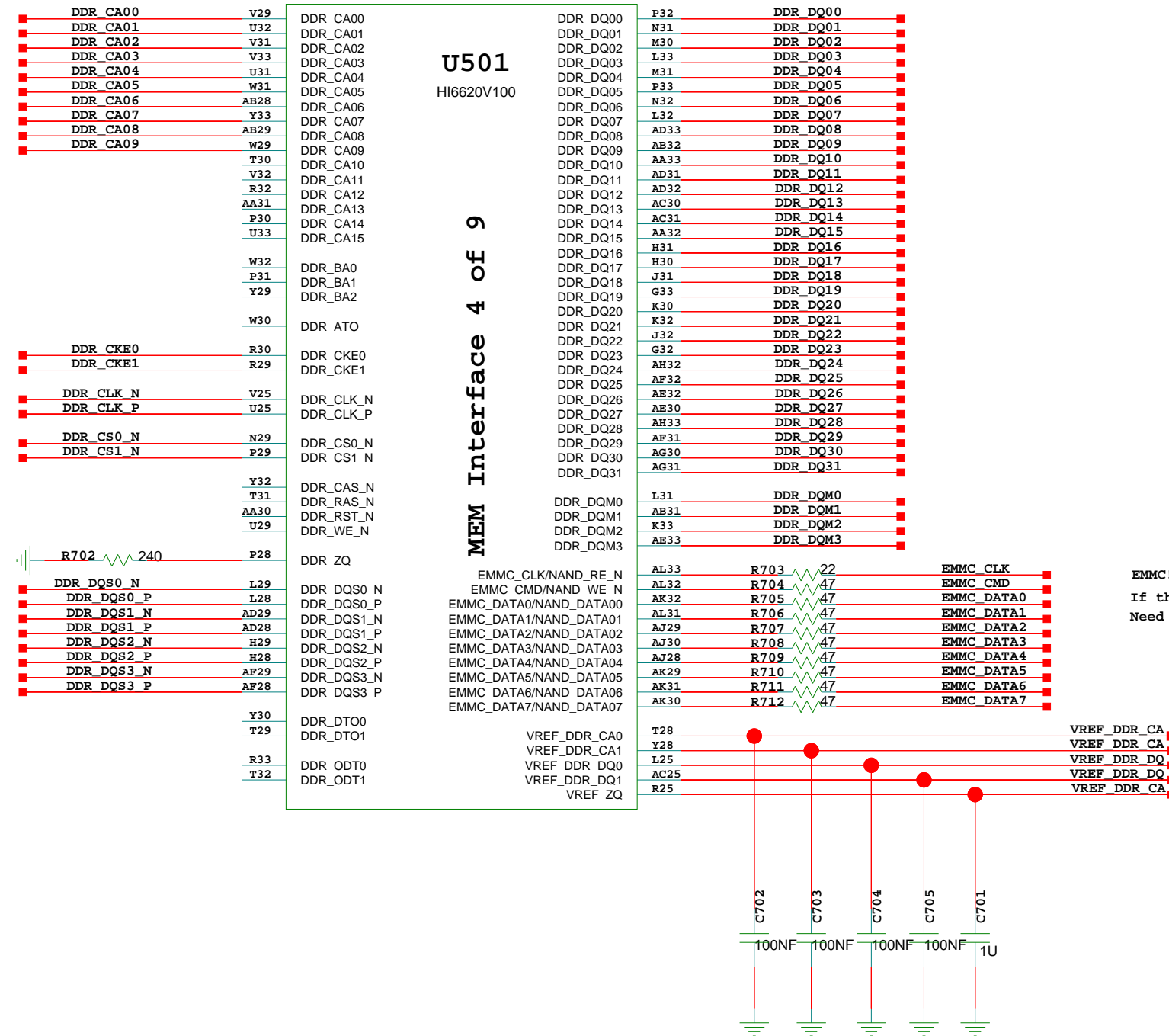
# 6. SOC Media Interface



The type and specification of the components refer to the BOM

				NA	2013/10/8
				ECA NO	DATE
DESIGNED	Chenjiang 00189391	HL2CSOPHIAMP		03022PXF_SCHZH	
REVIEWED	CHAOKANGJIE 00132205	VER	PART_NUMBER	SHEET 6 OF 61	
		A	03022PXF	HUAWAI TECH CO.,LTD.	

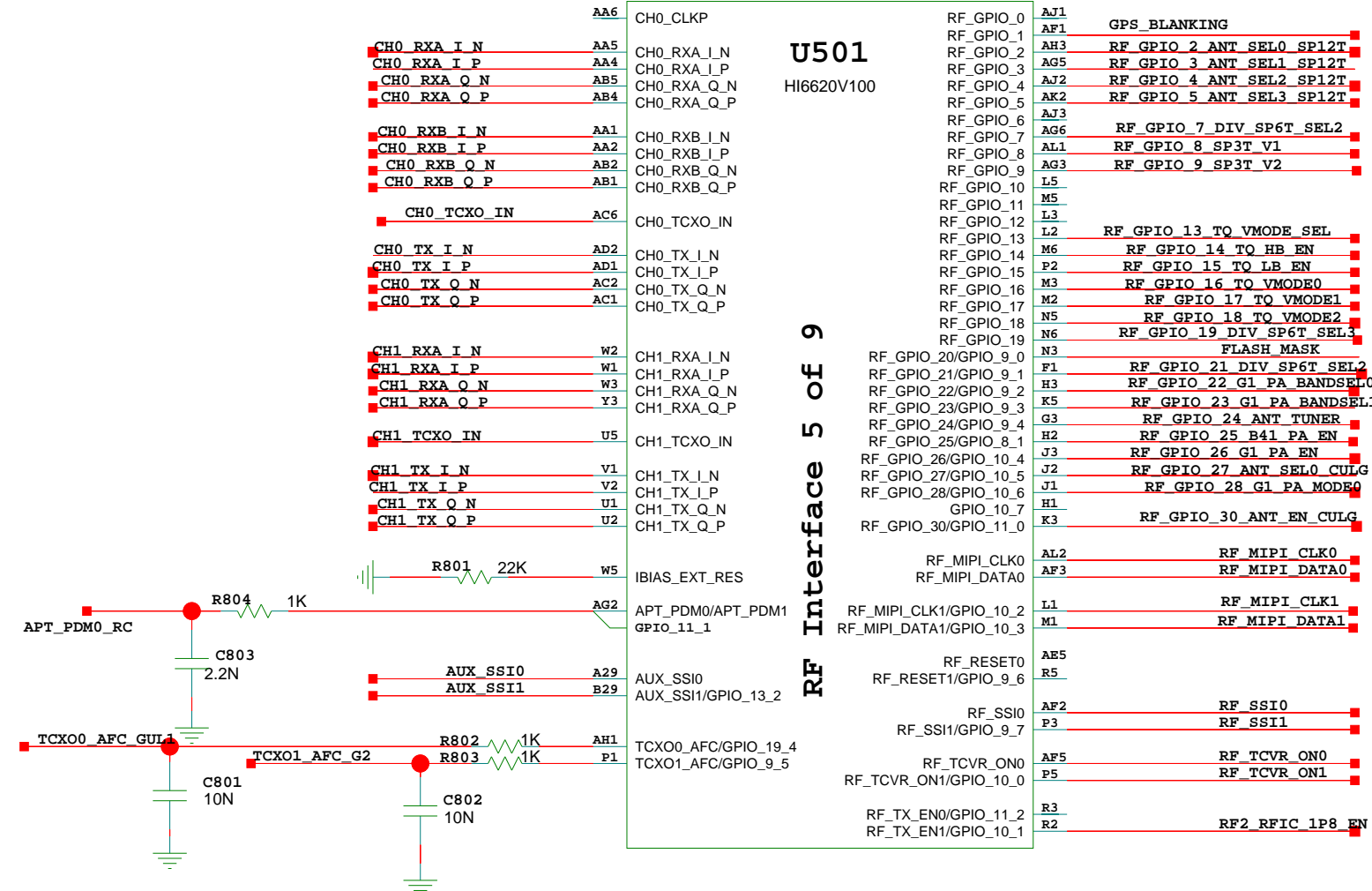
# 7. SOC Memory Interface



The type and specification of the components refer to the BOM

				NA	2013/10/8
				ECA NO	DATE
DESIGNED	Chenjiang 00189391	HL2CSOPHIAMP		03022PXF_SCHZH	
REVIEWED	CHAOKANGJIE 00132205	VER	PART_NUMBER	SHEET 7 OF 61	
		A	03022PXF	HUAWEI TECH CO.,LTD.	

# 8. SOC RF Interface



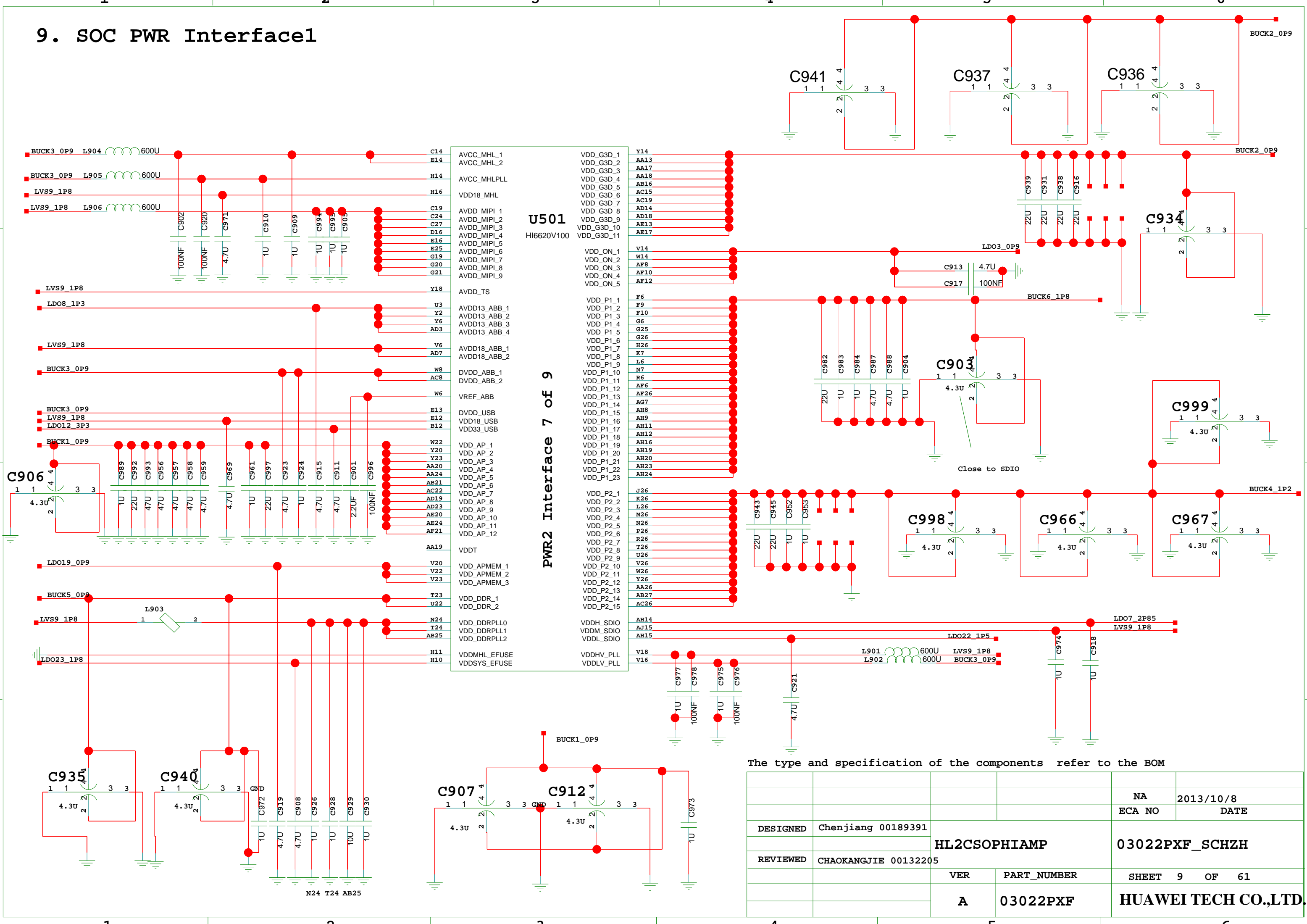
The type and specification of the components refer to the BOM

				NA	2013/10/8
				ECA NO	DATE
DESIGNED	Chenjiang 00189391	HL2CSOPHIAMP		03022PXF_SCHZH	
REVIEWED	CHAOKANGJIE 00132205	VER	PART_NUMBER	SHEET 8 OF 61	
		A	03022PXF	HUAWEI TECH CO.,LTD.	





# 9. SOC PWR Interfacel



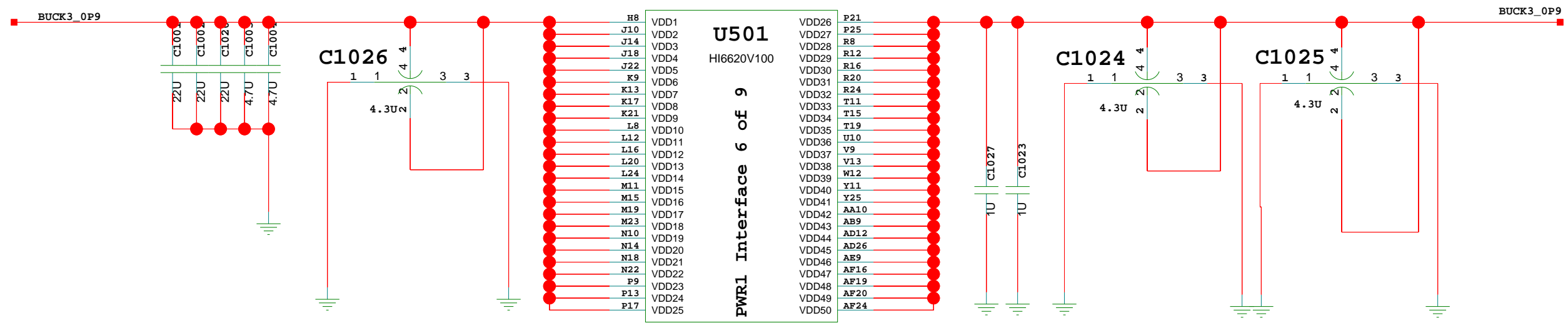
**U501**  
HI6620V100

PWR2 Interface 7 of 9

The type and specification of the components refer to the BOM

DESIGNED	Chenjiang 00189391	HL2CSOPHIAMP	03022PXF_SCHZH
REVIEWED	CHAOKANGJIE 00132205	VER	PART_NUMBER
		A	03022PXF
			SHEET 9 OF 61
			HUAWEI TECH CO.,LTD.
			NA 2013/10/8
			ECA NO DATE

# 10. SOC PWR Interface2

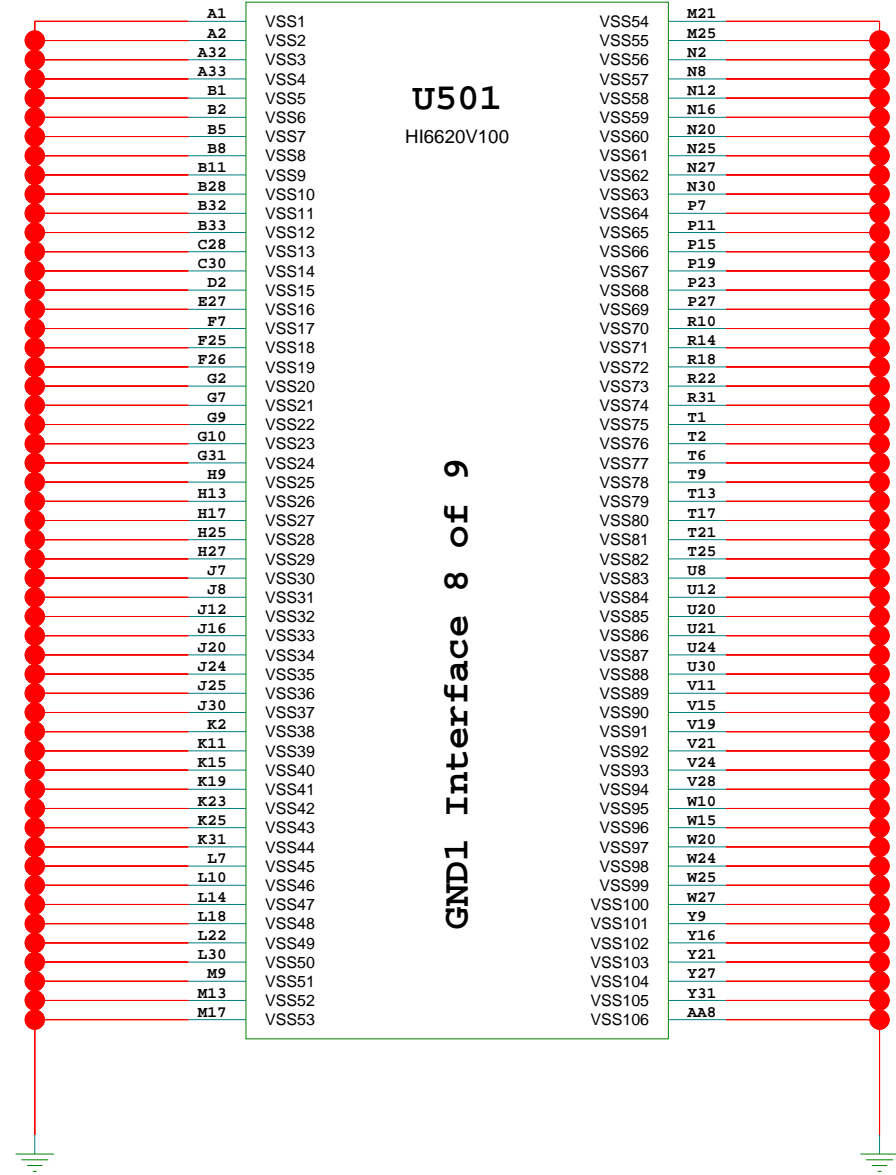
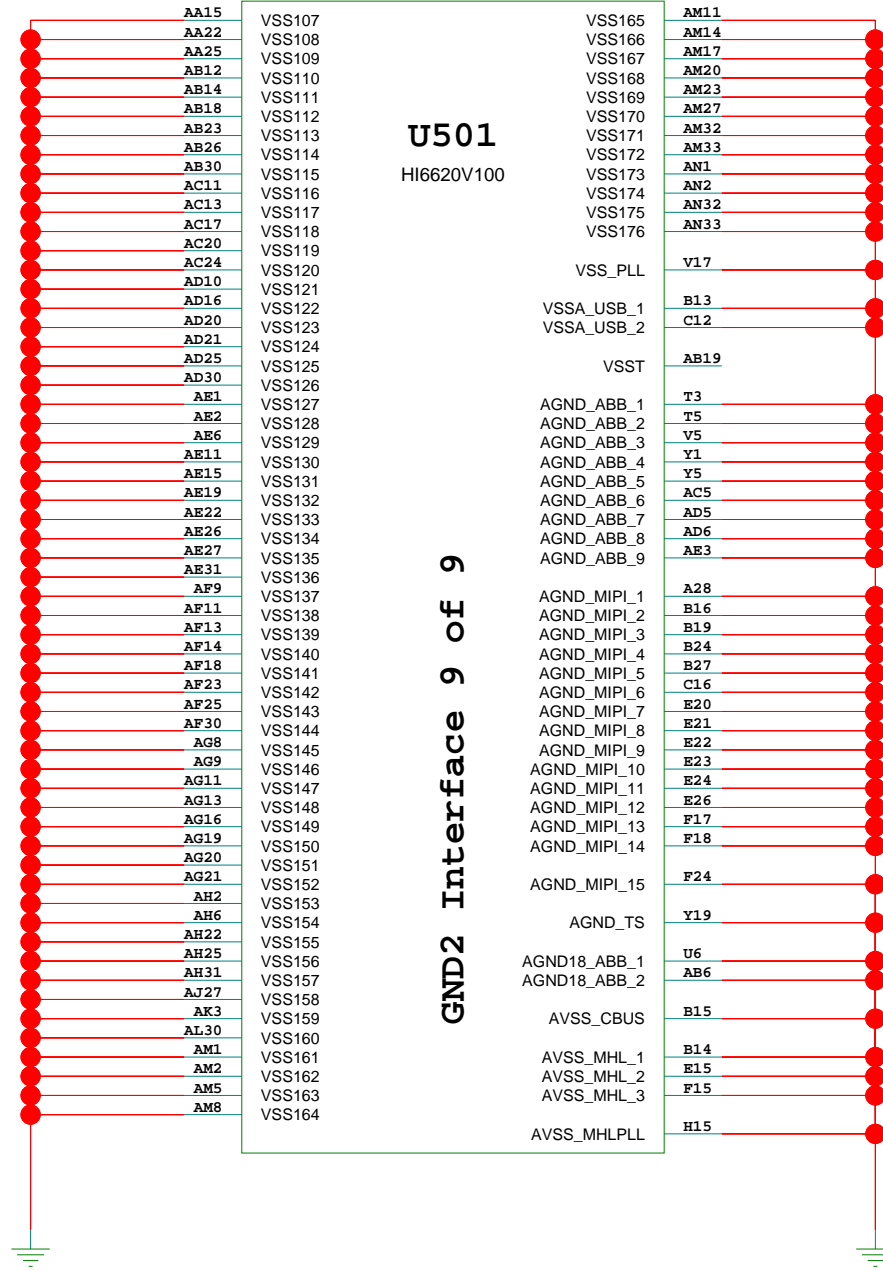


The type and specification of the components refer to the BOM

				NA	2013/10/8
				ECA NO	DATE
DESIGNED	Chenjiang 00189391	HL2CSOPHIAMP		03022PXF_SCHZH	
REVIEWED	CHAOKANGJIE 00132205	VER	PART_NUMBER	SHEET 10 OF 61	
		A	03022PXF	HUAWEI TECH CO.,LTD.	



# 11. SOC GND

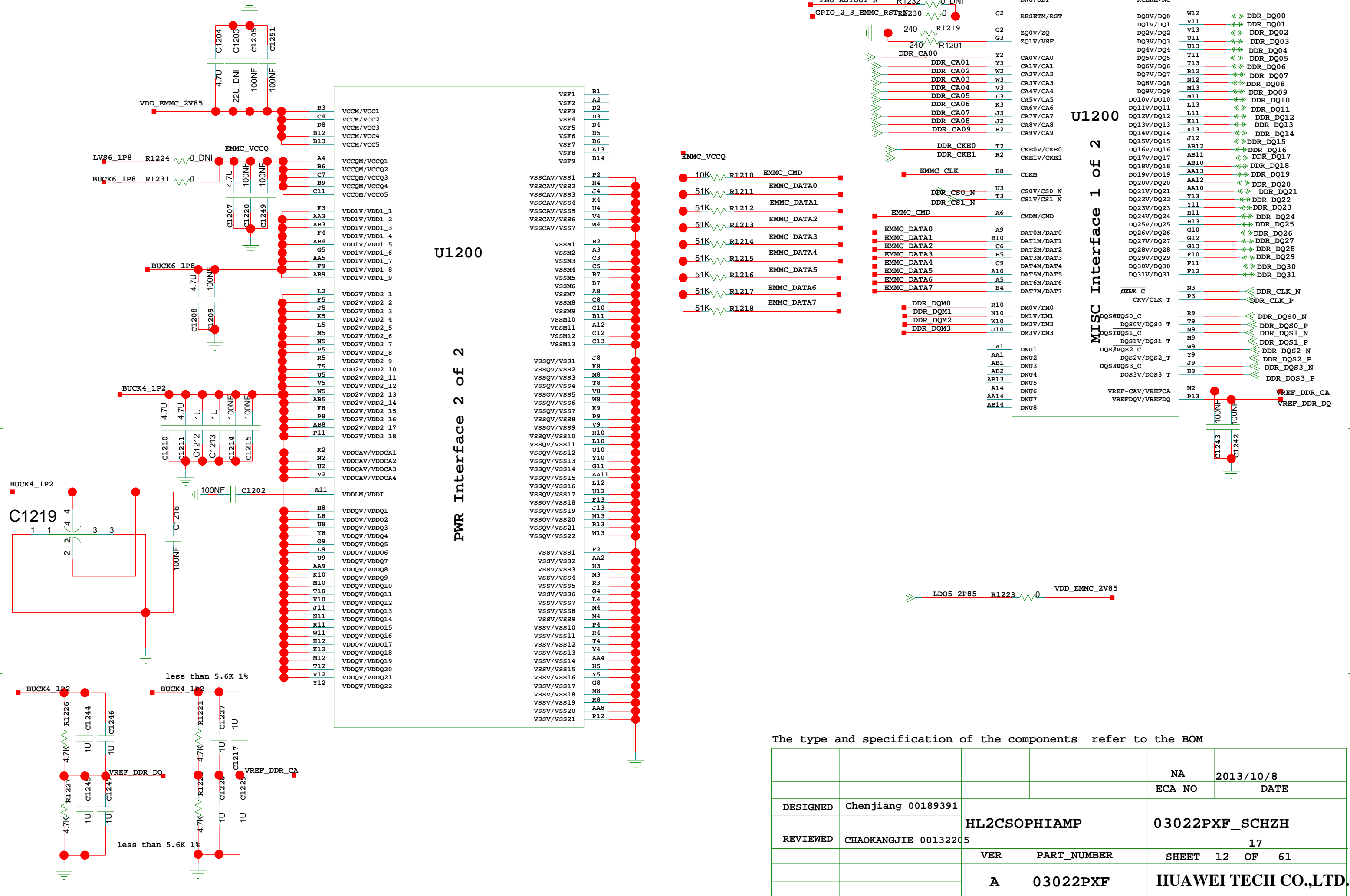


The type and specification of the components refer to the BOM

				NA	2013/10/8
				ECA NO	DATE
DESIGNED	Chenjiang 00189391	HL2CSOPHIAMP		03022PXF_SCHZH	
REVIEWED	CHAOKANGJIE 00132205	VER	PART_NUMBER	SHEET 11 OF 61	
		A	03022PXF	HUAWAI TECH CO.,LTD.	



# 12. EMMC+LPDDR3



U1200

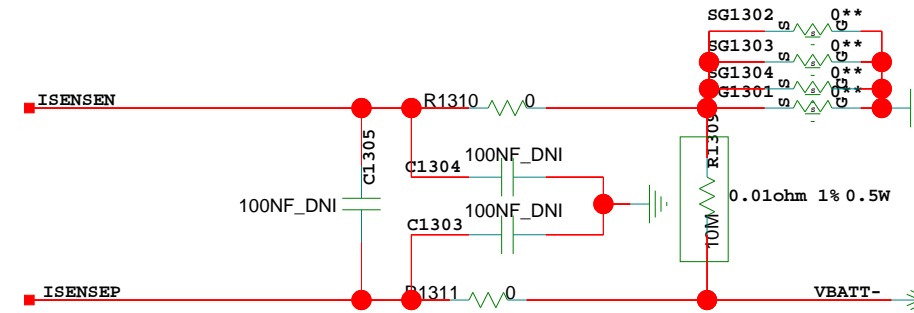
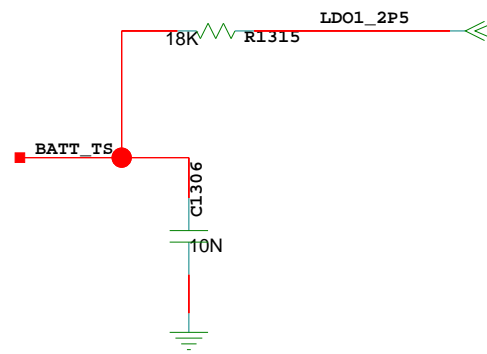
PWR Interface 2 of 2

MISC Interface 1 of 2

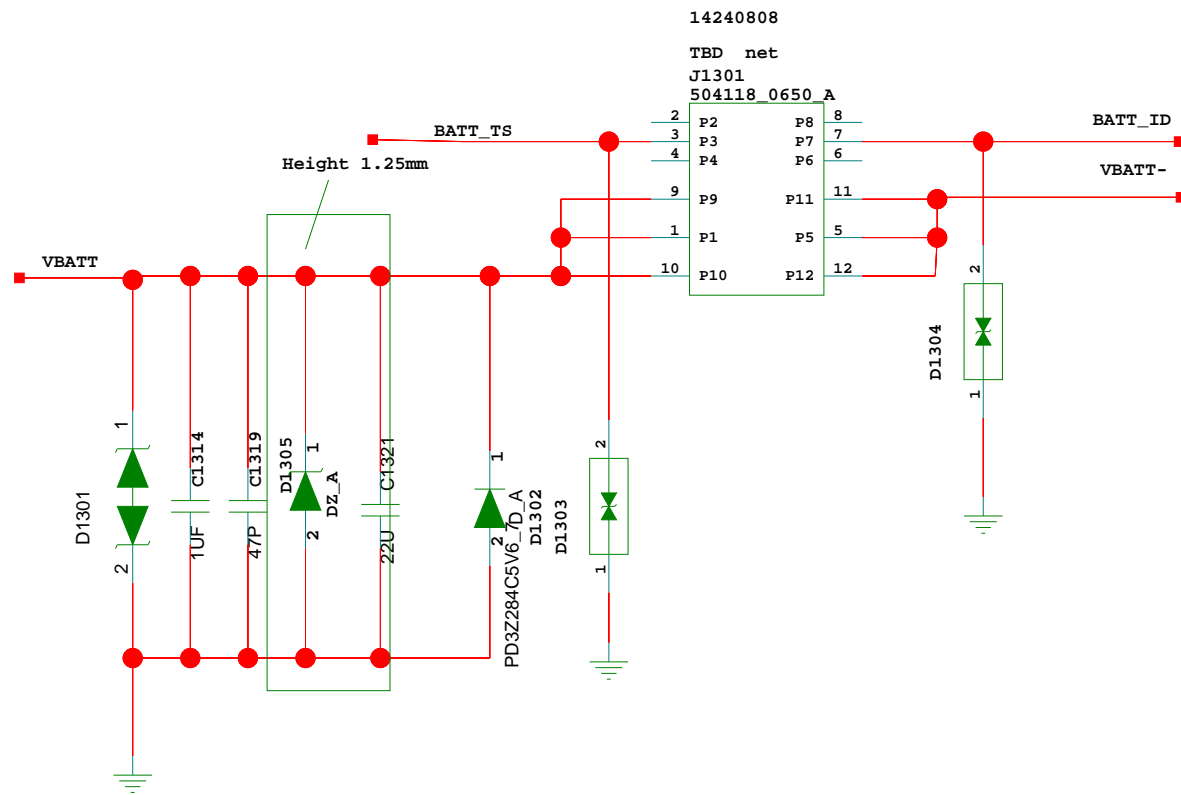
The type and specification of the components refer to the BOM

DESIGNED	Chenjiang 00189391	HL2CSOPHIAMP	03022PXF_SCHZH
REVIEWED	CHAOKANGJIE 00132205		
		VER	PART_NUMBER
		A	03022PXF
			SHEET 12 OF 61
			HUAWEI TECH CO.,LTD.

# 13. Battery management/Battery



## Internal Battery



CAD note: differential trace

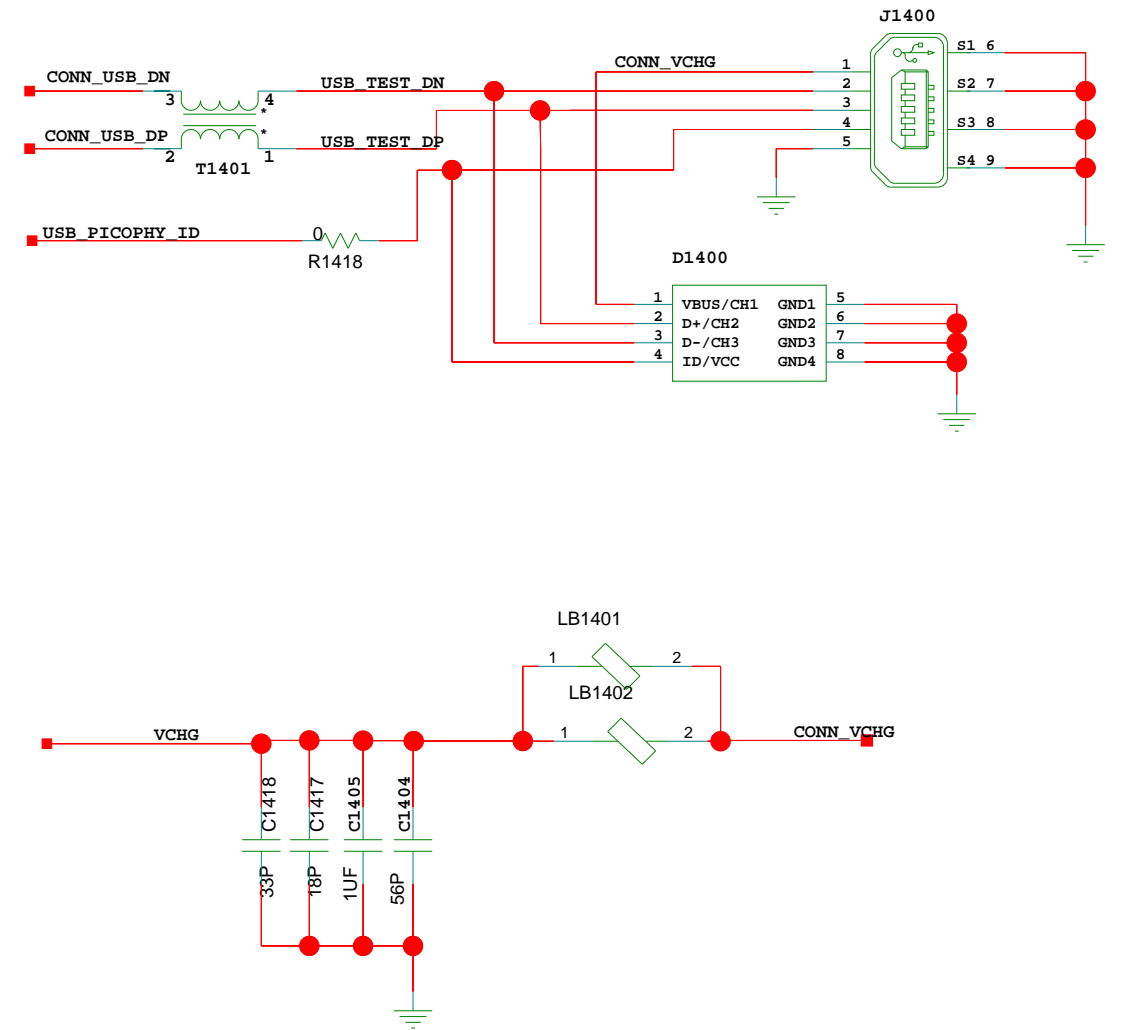
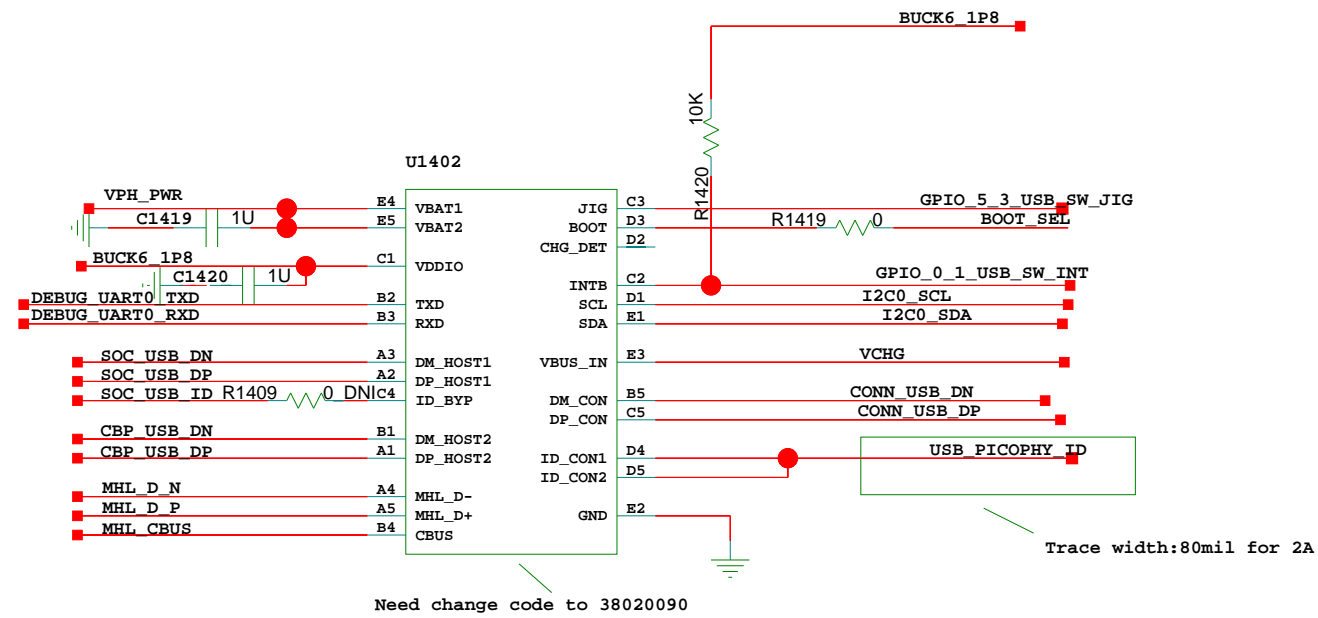
The type and specification of the components refer to the BOM

				NA	2013/10/8
				ECA NO	DATE
DESIGNED	Chenjiang 00189391	HL2CSOPHIAMP		03022PXF_SCHZH	
REVIEWED	CHAOKANGJIE 00132205				
		VER	PART_NUMBER	SHEET 13 OF 61	
		A	03022PXF	HUAWEI TECH CO.,LTD.	

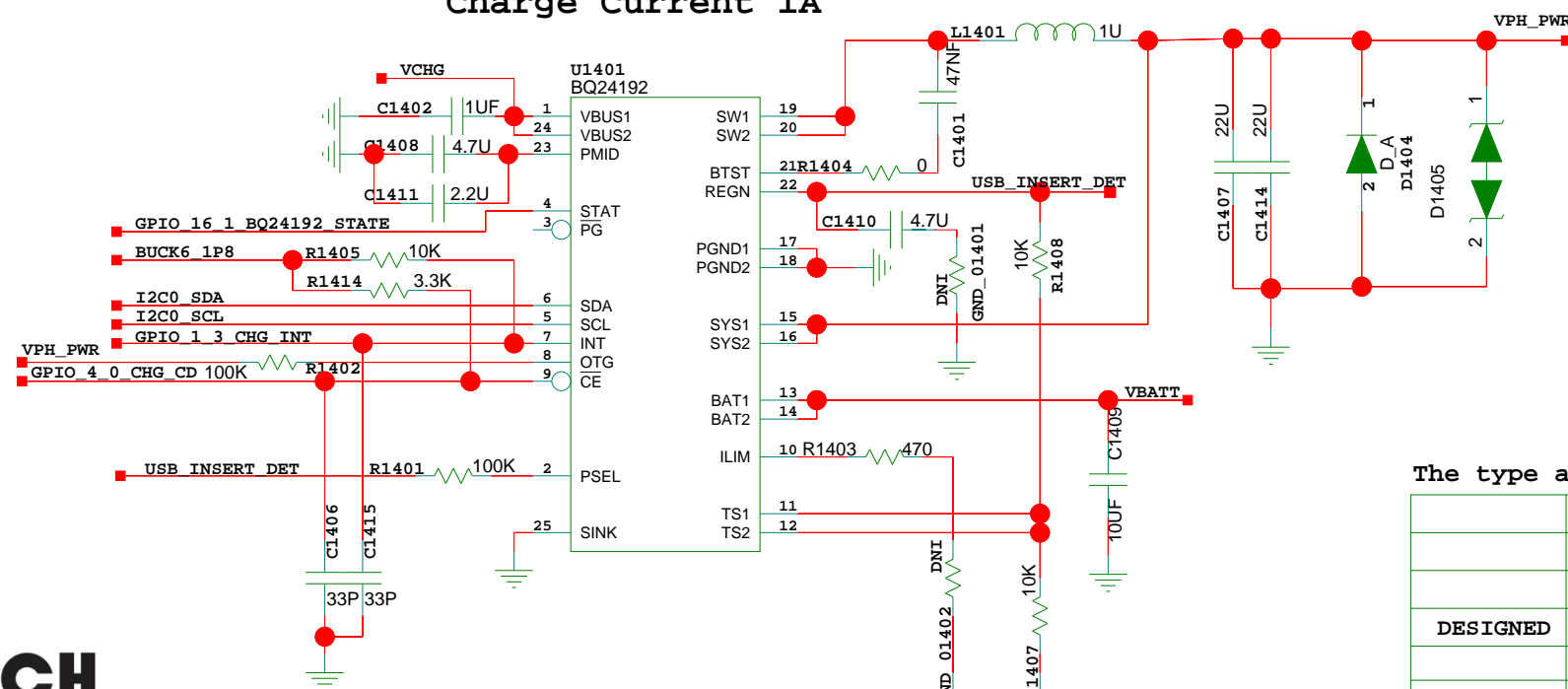


# 14. Charge Management

## MHL/USB/AUDIO USB SWITCH



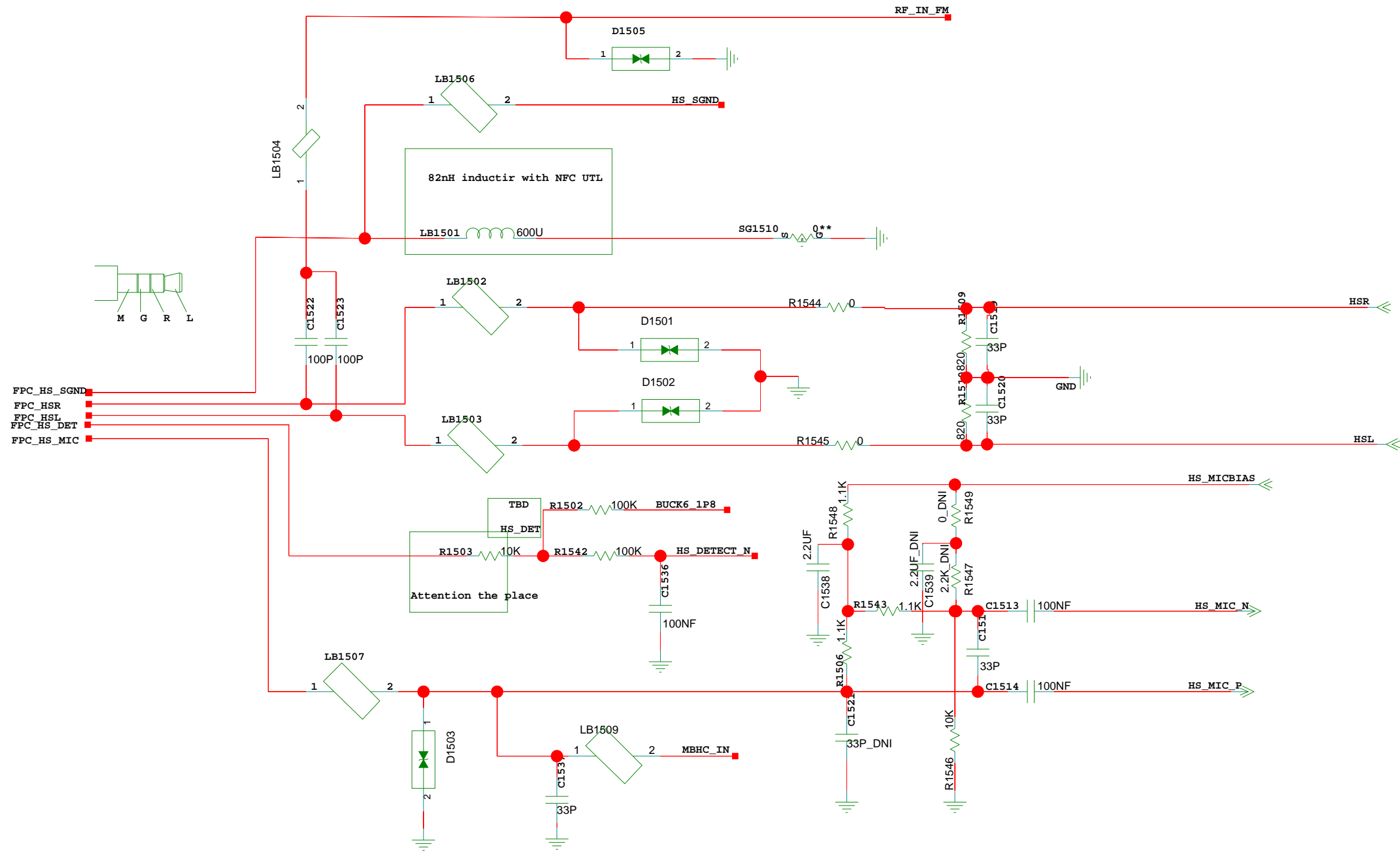
## Charge Management Charge Current 1A



The type and specification of the components refer to the BOM

DESIGNED	Chenjiang 00189391	HL2CSOPHIAMP	03022PXF_SCHZH
REVIEWED	CHAOKANGJIE 00132205	VER	PART_NUMBER
		A	03022PXF
			SHEET 14 OF 61
			HUAWEI TECH CO.,LTD.
		NA	2013/10/8
		ECA NO	DATE

# 15. 3.5 Headphone port OK

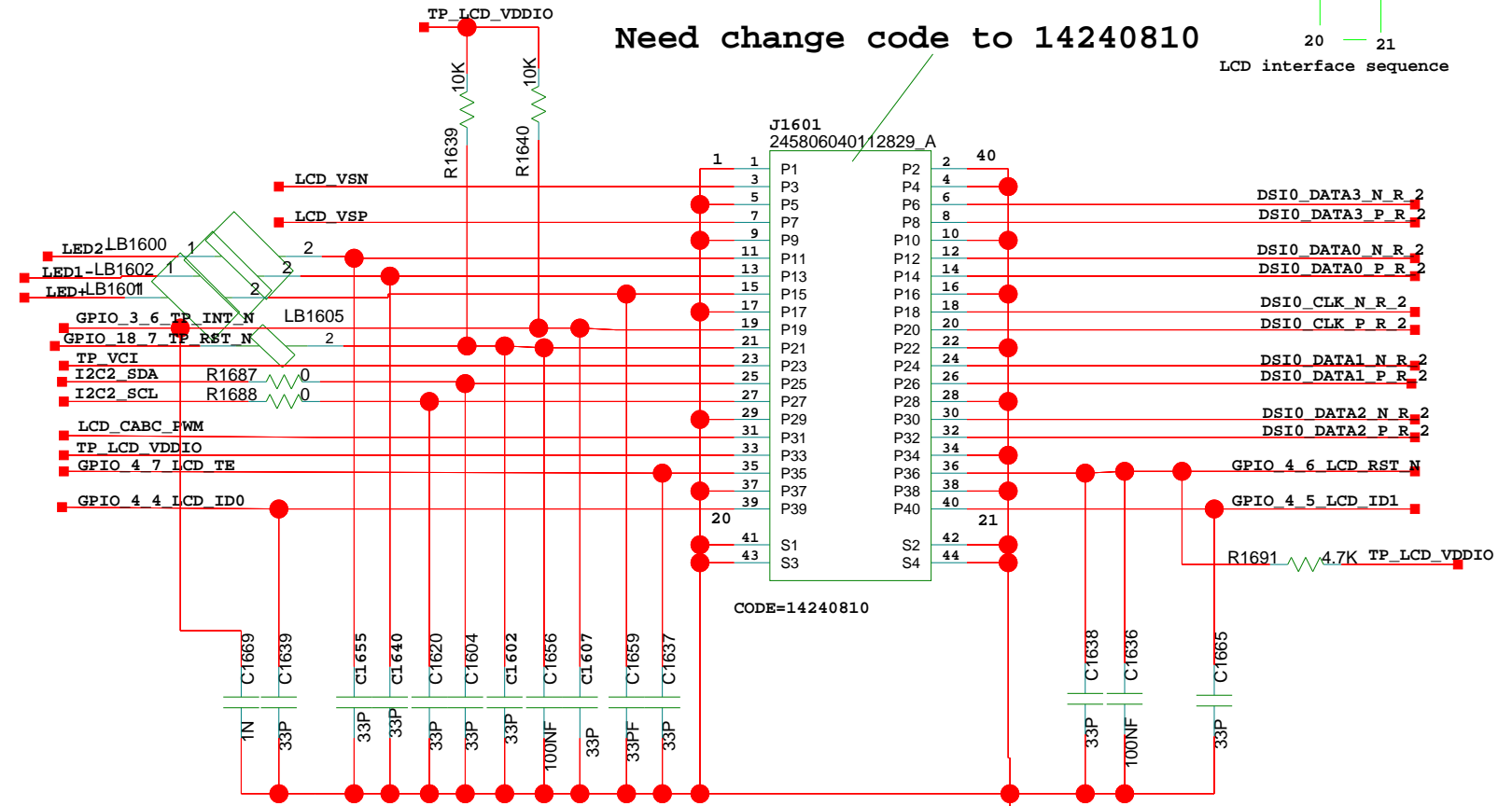
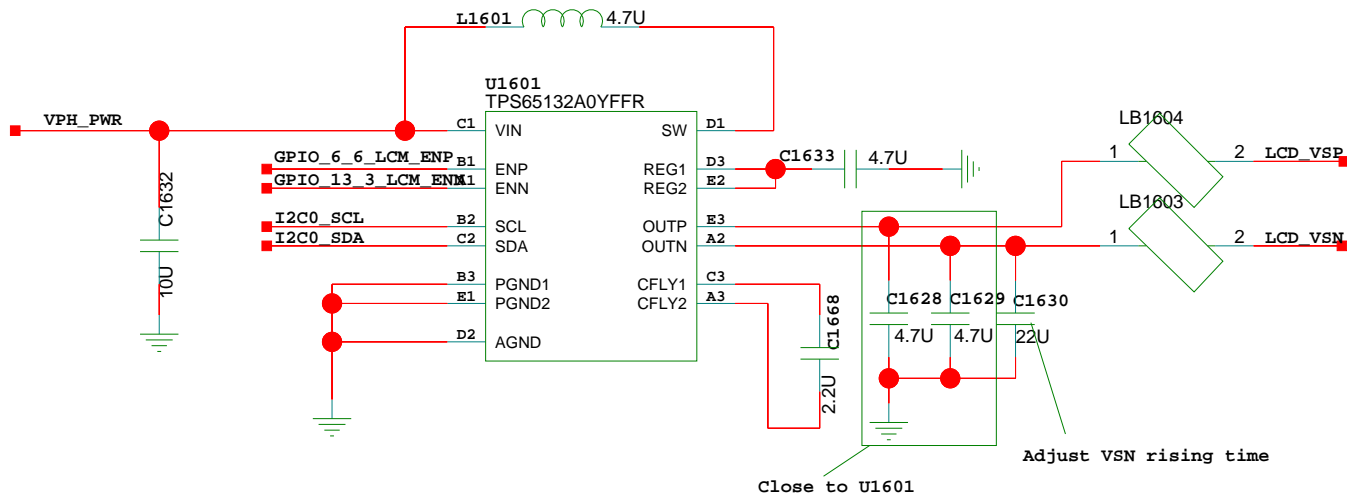


The type and specification of the components refer to the BOM

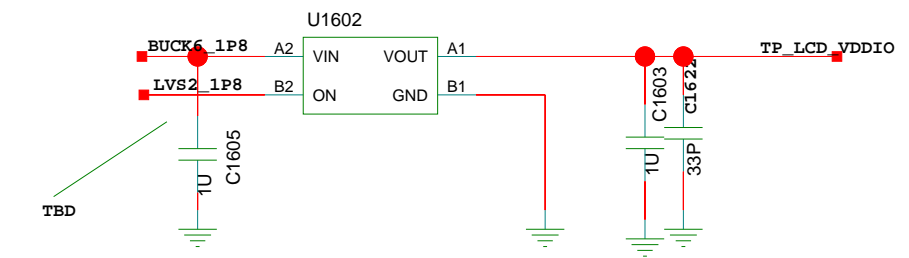
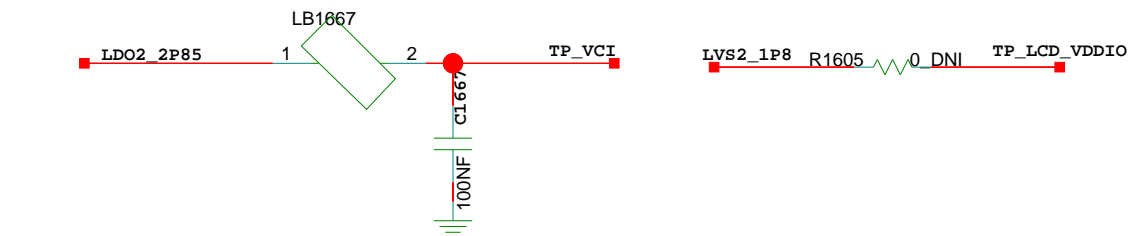
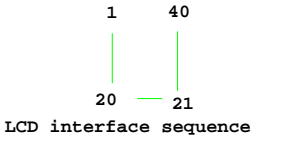
				NA	
				ECA NO	DATE
DESIGNED	Chenjiang 00189391	HL2CSOPHIAMP		03022PXF_SCHZH	
REVIEWED	CHAOKANGJIE 00132205	VER	PART_NUMBER	SHEET 15 OF 61	
		A	03022PXF	HUAWEI TECH CO.,LTD.	

# 16. LCD Interface

## LCD POS/NEG Voltage Driver

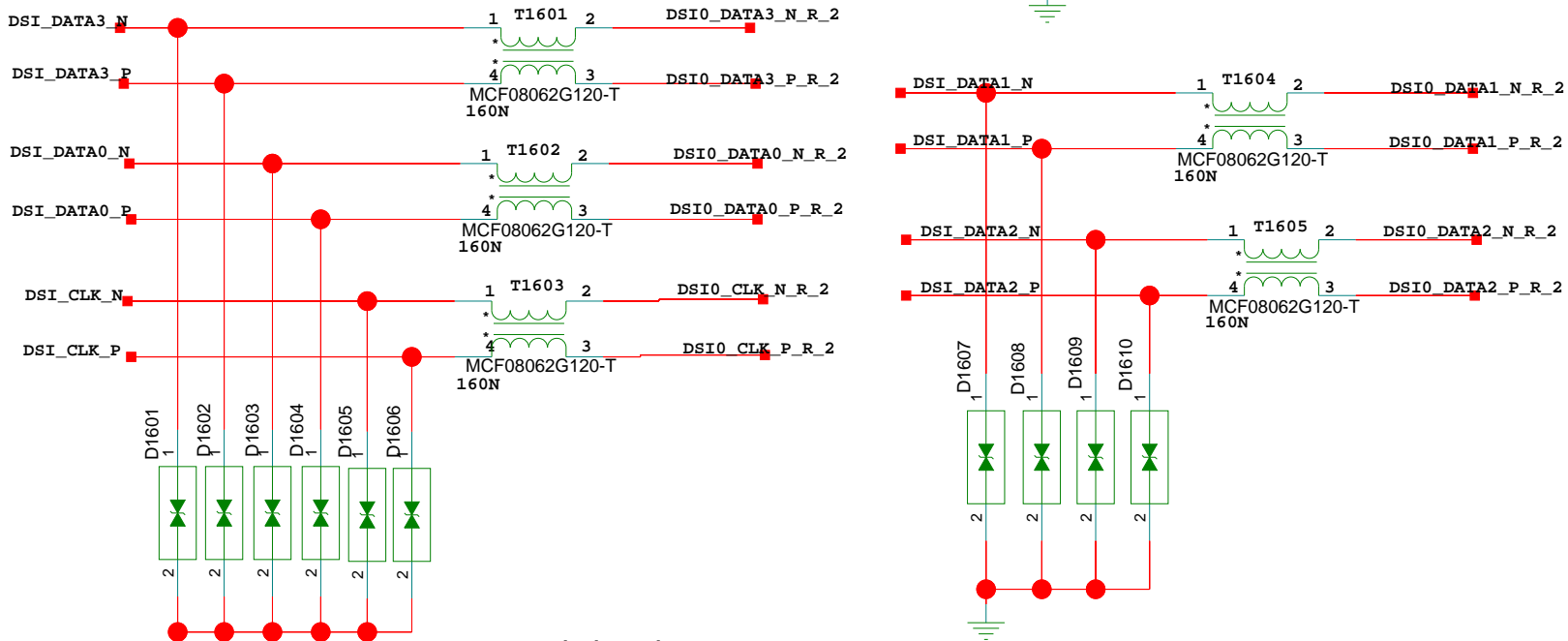
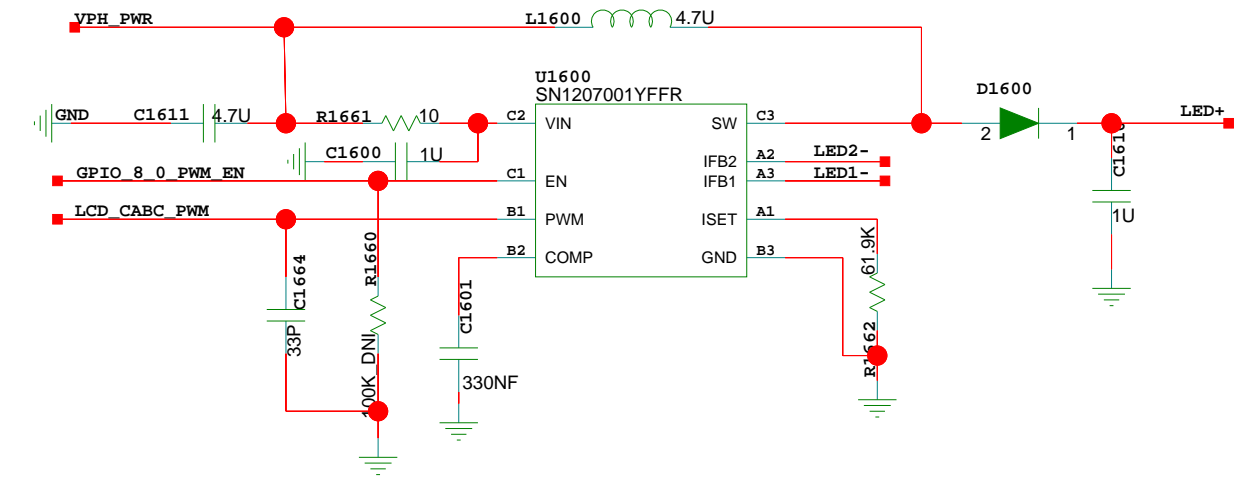


Need change code to 14240810



## LCD BL DRIVER

CAP tolerance above 50V!!!



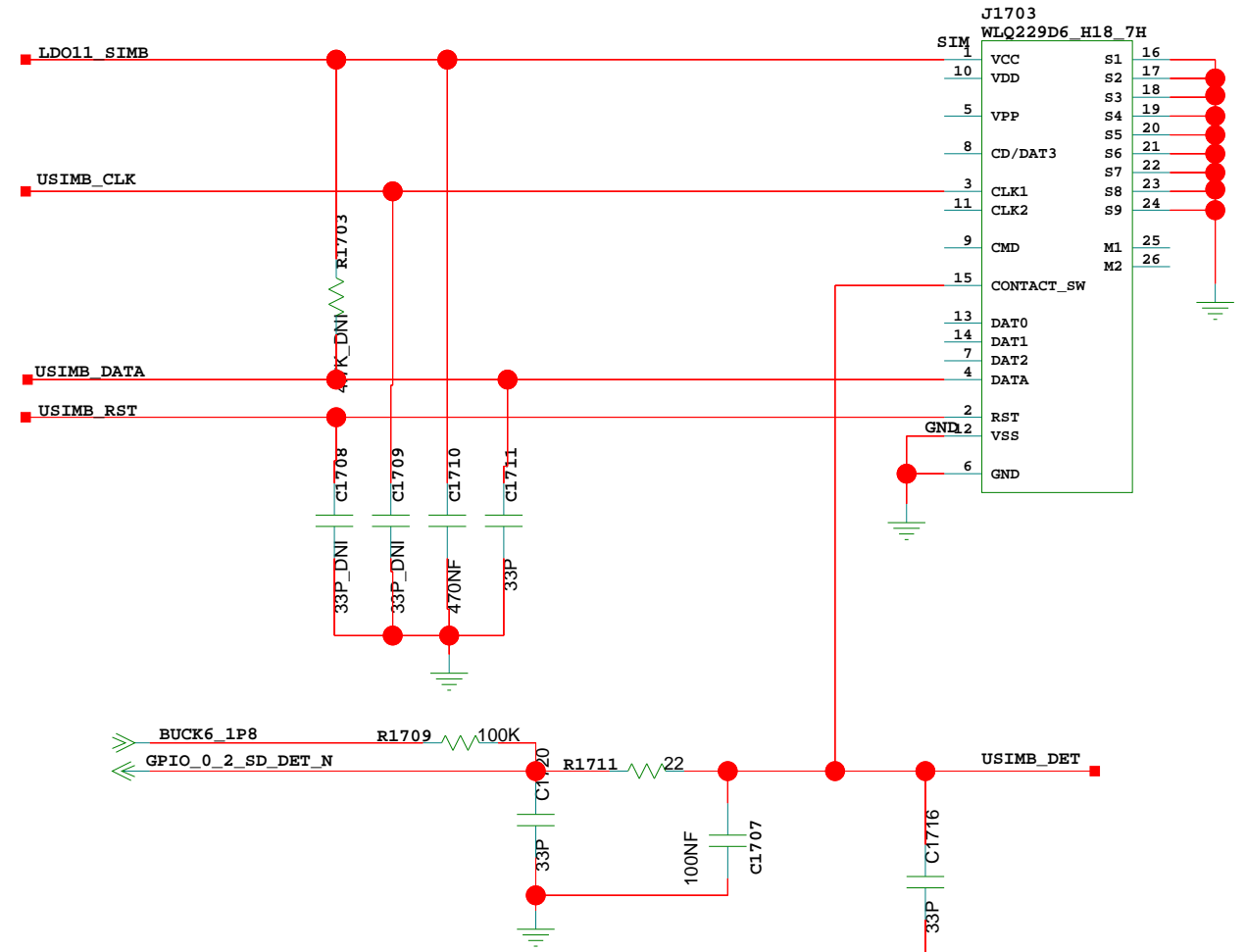
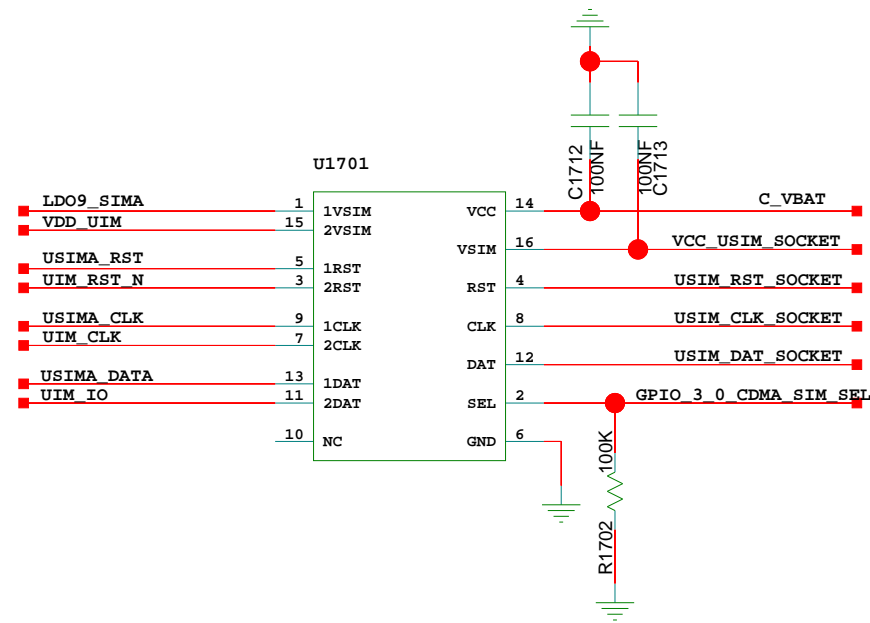
The type and specification of the components refer to the BOM

DESIGNED	Chenjiang 00189391	HL2CSOPHIAMP	03022PXF_SCHZH
REVIEWED	CHAOKANGJIE 00132205	VER	A
		PART_NUMBER	03022PXF
		SHEET	16 OF 61
		HUAWEI TECH CO.,LTD.	

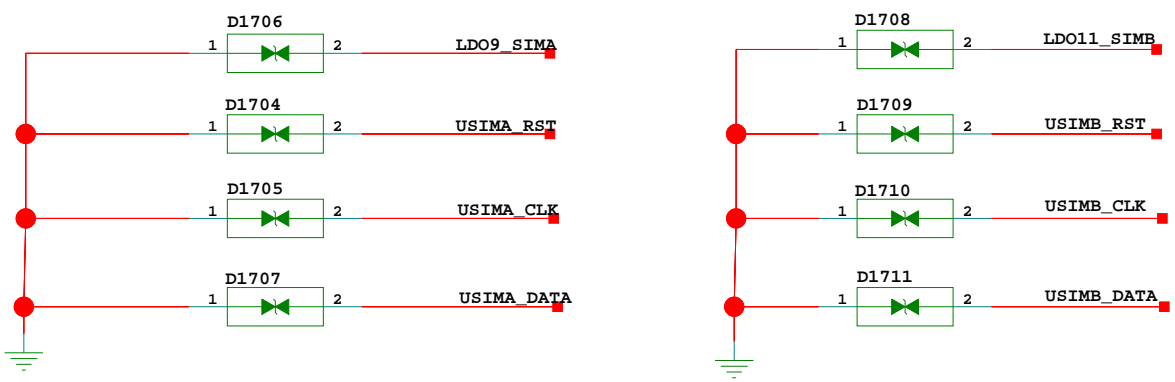
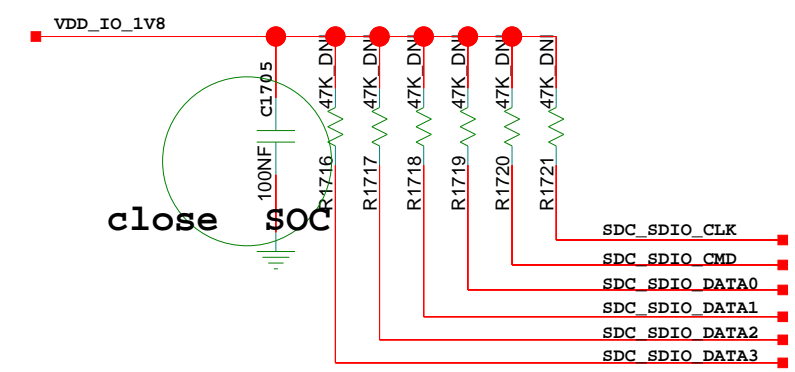
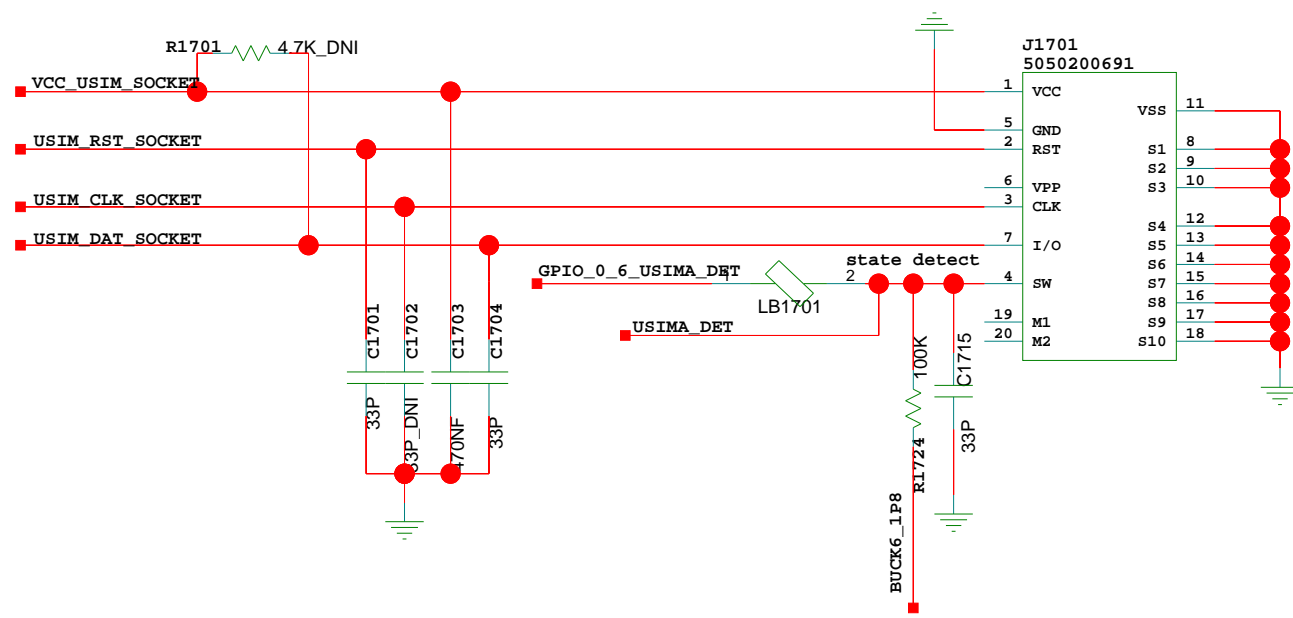
24-04-2014_17:24
NA
ECA NO
DATE

# 17. SIM card

## GSM SIM2



## CDMA/UL SIM1



The type and specification of the components refer to the BOM

DESIGNED	Chenjiang 00189391	HL2CSOPHIAMP	03022PXF_SCHZH
REVIEWED	CHAOKANGJIE 00132205		
		VER	PART_NUMBER
		A	03022PXF
			SHEET 17 OF 61
			HUAWEI TECH CO.,LTD.

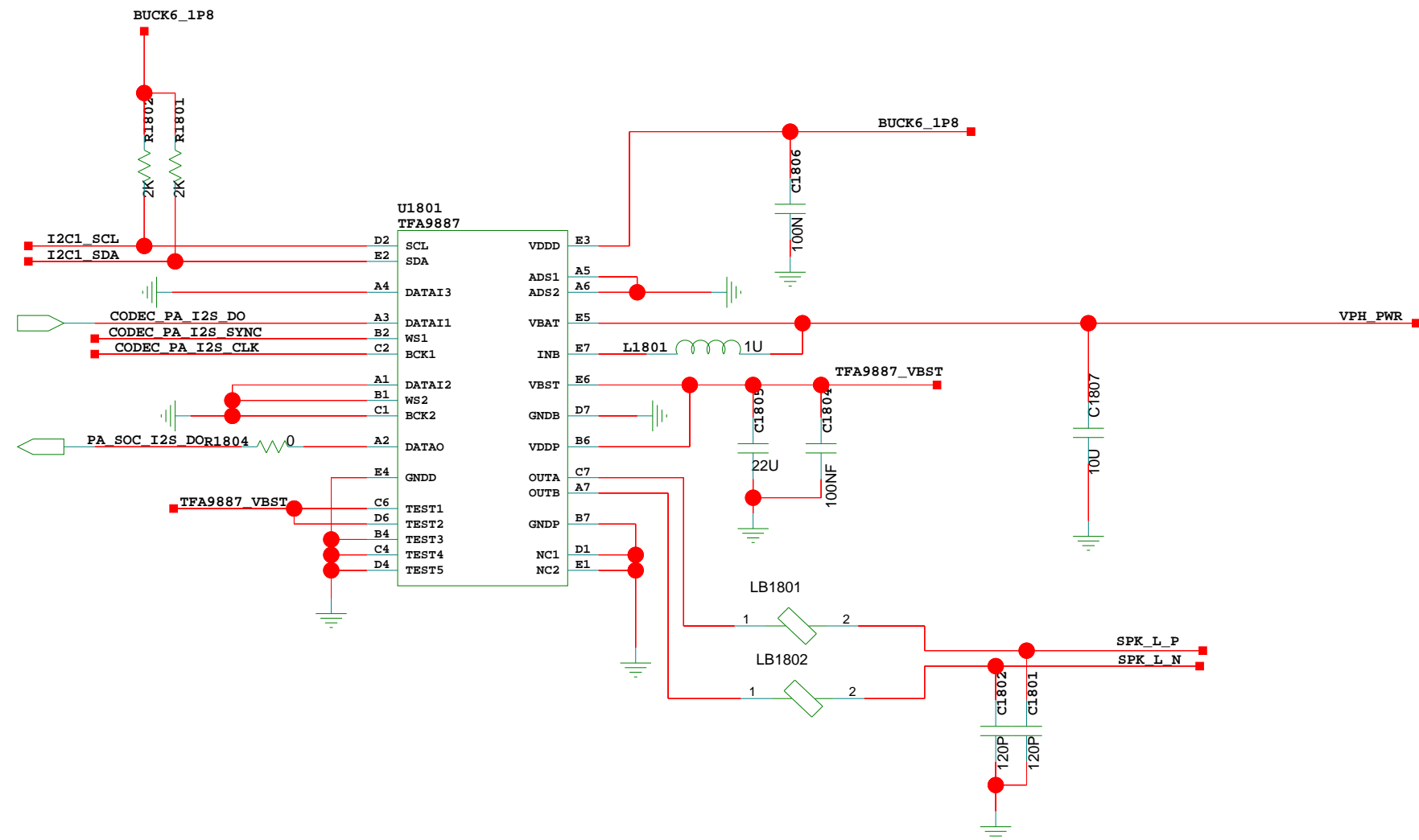
NA 2013/10/8  
ECA NO DATE

03022PXF\_SCHZH

SHEET 17 OF 61

HUAWEI TECH CO.,LTD.

# 18.SPK PA

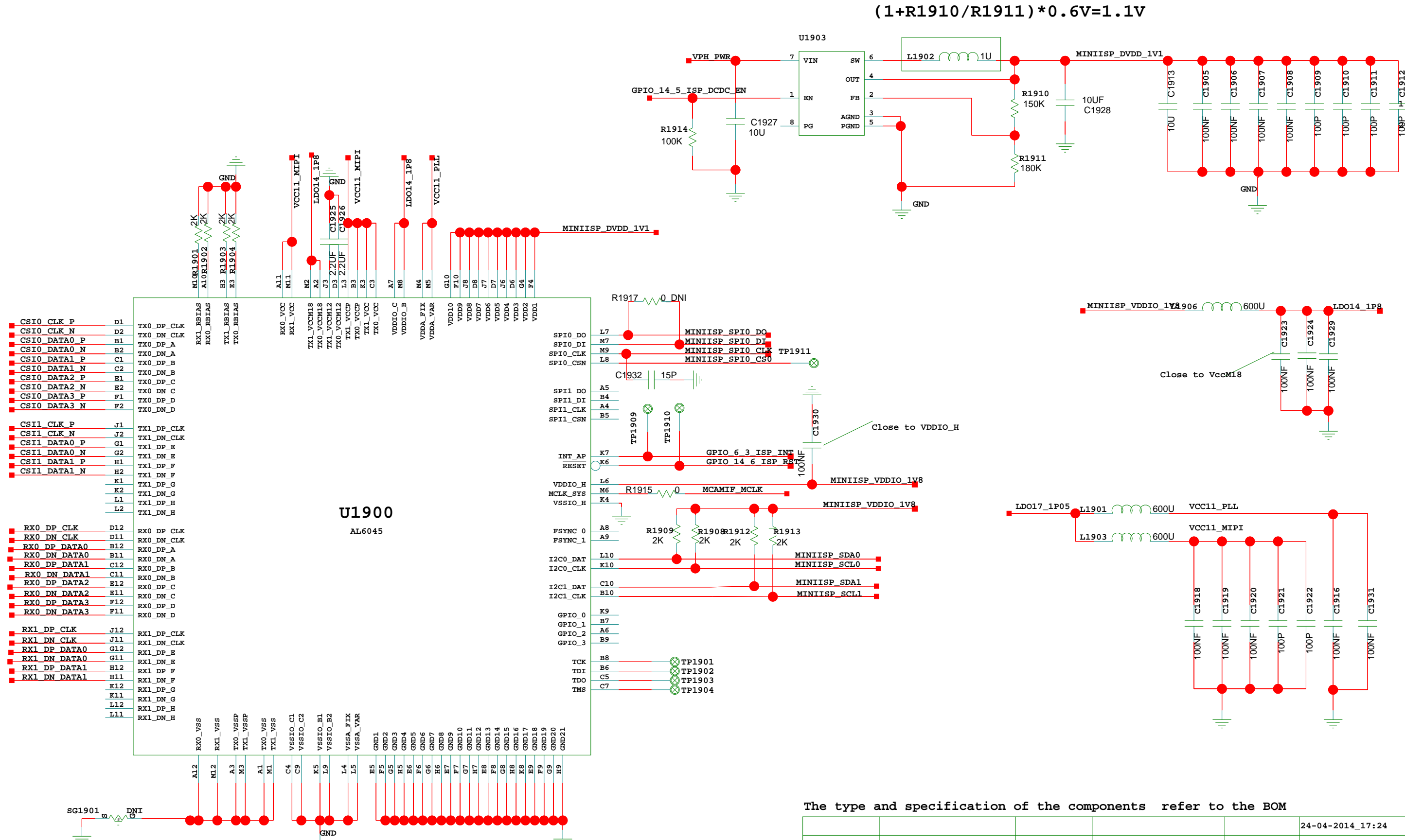


The type and specification of the components refer to the BOM

				NA	2013/10/8
				ECA NO	DATE
DESIGNED	Chenjiang 00189391	HL2CSOPHIAMP		03022PXF_SCHZH	
REVIEWED	CHAOKANGJIE 00132205	VER	PART_NUMBER	SHEET 18 OF 61	
		A	03022PXF	HUAWEI TECH CO.,LTD.	



# 19. Reserved for ISP



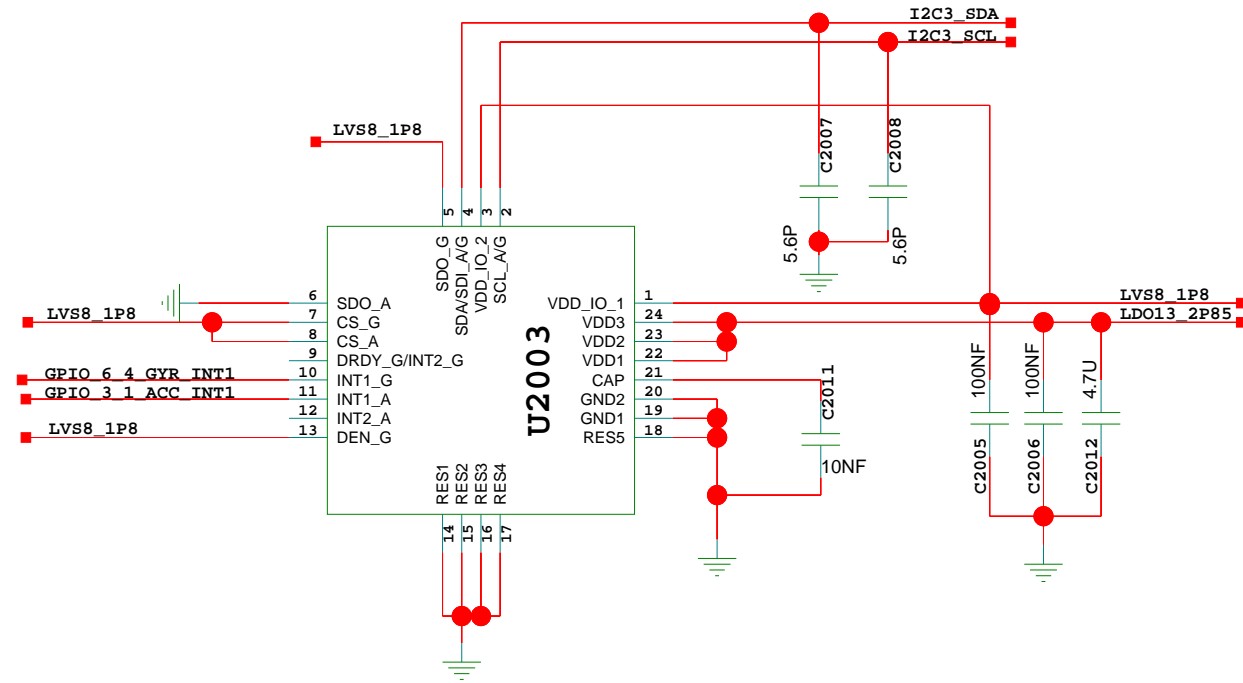
The type and specification of the components refer to the BOM

DESIGNED	Chenjiang 00189391	HL2CSOPHIAMP	03022PXF_SCHZH
REVIEWED	CHAOKANGJIE 00132205	VER	PART_NUMBER
		A	03022PXF
			SHEET 19 OF 61
			HUAWEI TECH CO.,LTD.



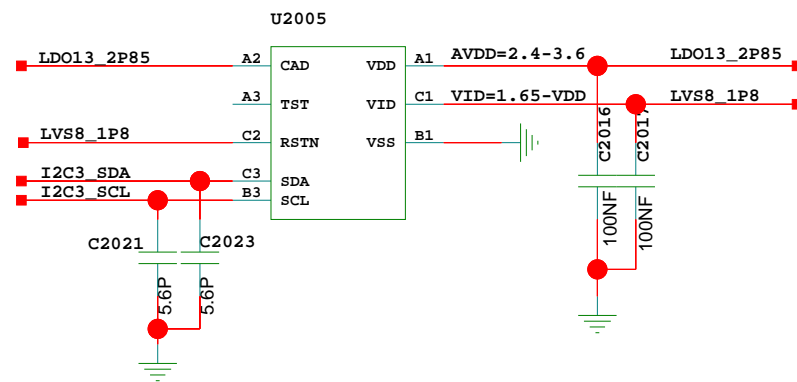
# 20. Sensor

## Accelerometer and Gyroscope 6-AXIS SENSOR



	SDO_A pin	I2C addr
ACCEL	0	1E
	1	1D
GYRO	SDO_G pin	I2C addr
	0	6A
	1	6B

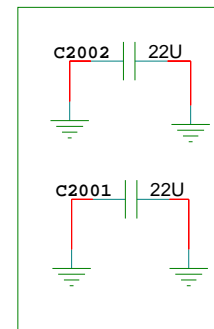
## Compass



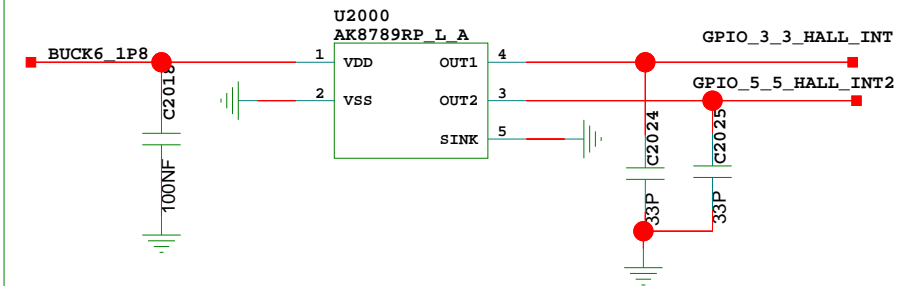
CAD=GND:I2C address=0001100(0x0C)  
 CAD=VDD:I2C address=0001101(0x0D)

Need shield protect

## Protect Compass



## HALL Sensor



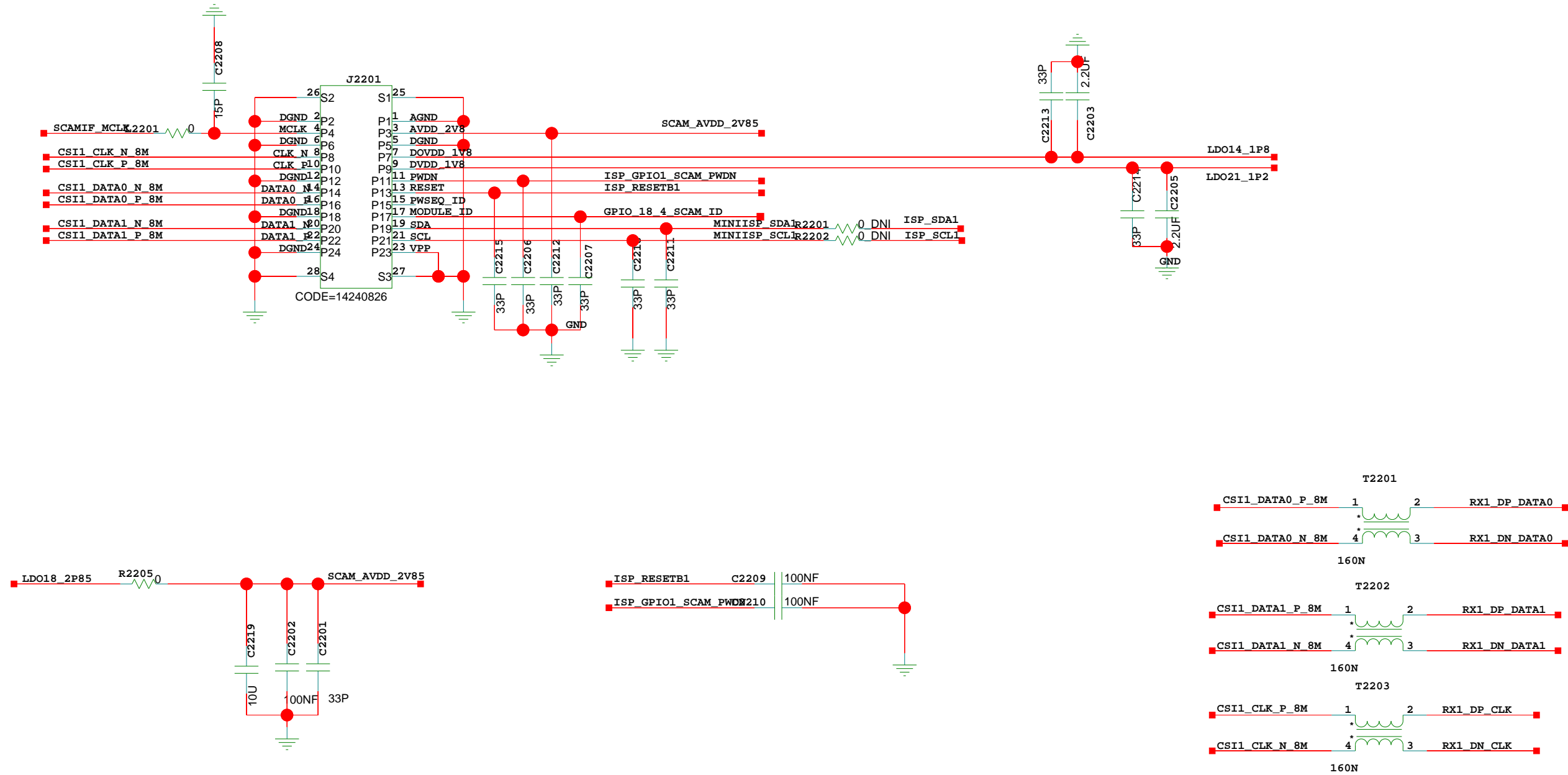
The type and specification of the components refer to the BOM

				NA	2013/10/8
				ECA NO	DATE
DESIGNED	Chenjiang 00189391	HL2CSOPHIAMP		03022PXF_SCHZH	
REVIEWED	CHAOKANGJIE 00132205				
		VER	PART_NUMBER	SHEET 20 OF 61	
		A	03022PXF	HUAWEI TECH CO.,LTD.	



# 22. Slave Camera

## 8M SLAVE CAMERA



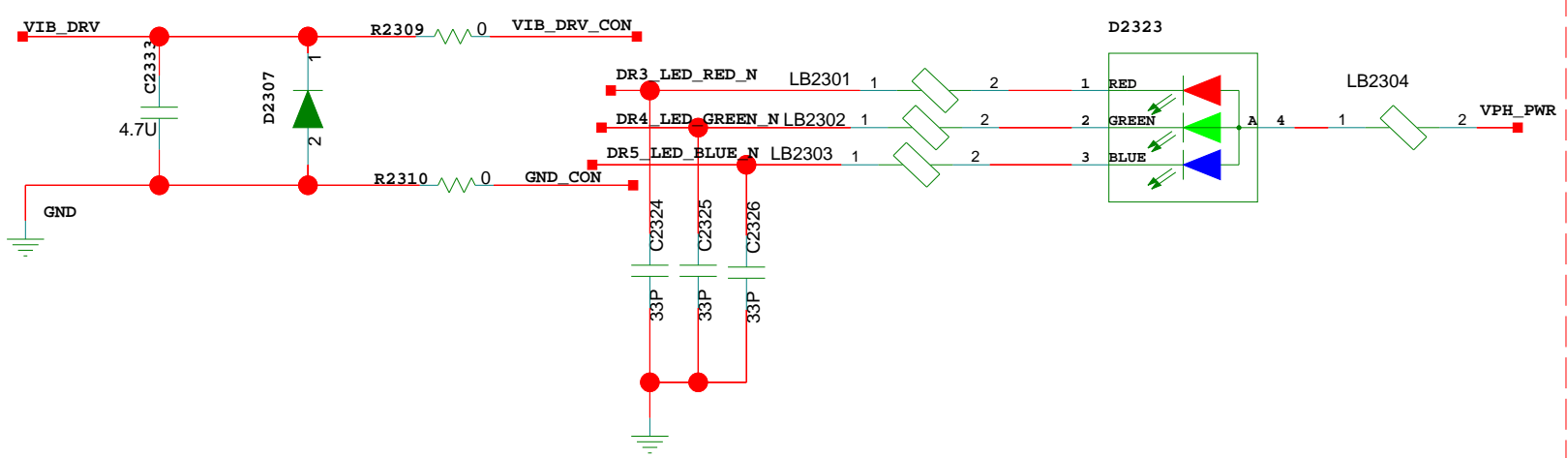
The type and specification of the components refer to the BOM

				24-04-2014_17:24
			NA	2013/10/8
			ECA NO	DATE
DESIGNED	Chenjiang 00189391	HL2CSOPHIAMP		03022PXF_SCHZH
REVIEWED	CHAOKANGJIE 00132205			
		VER	PART_NUMBER	SHEET 22 OF 61
		A	03022PXF	HUAWEI TECH CO.,LTD.

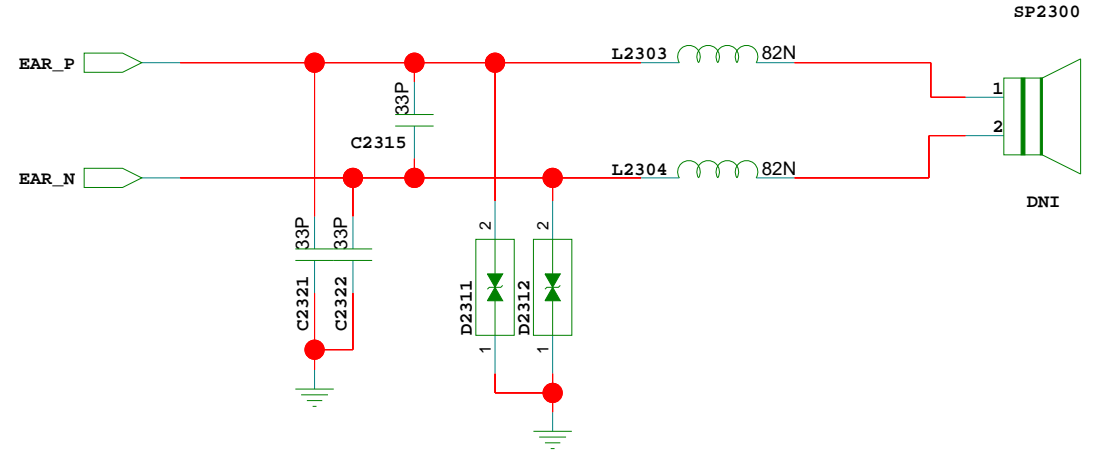
# 23. MIC/RCV/SPK/VIB

## VIB

## RGB LED

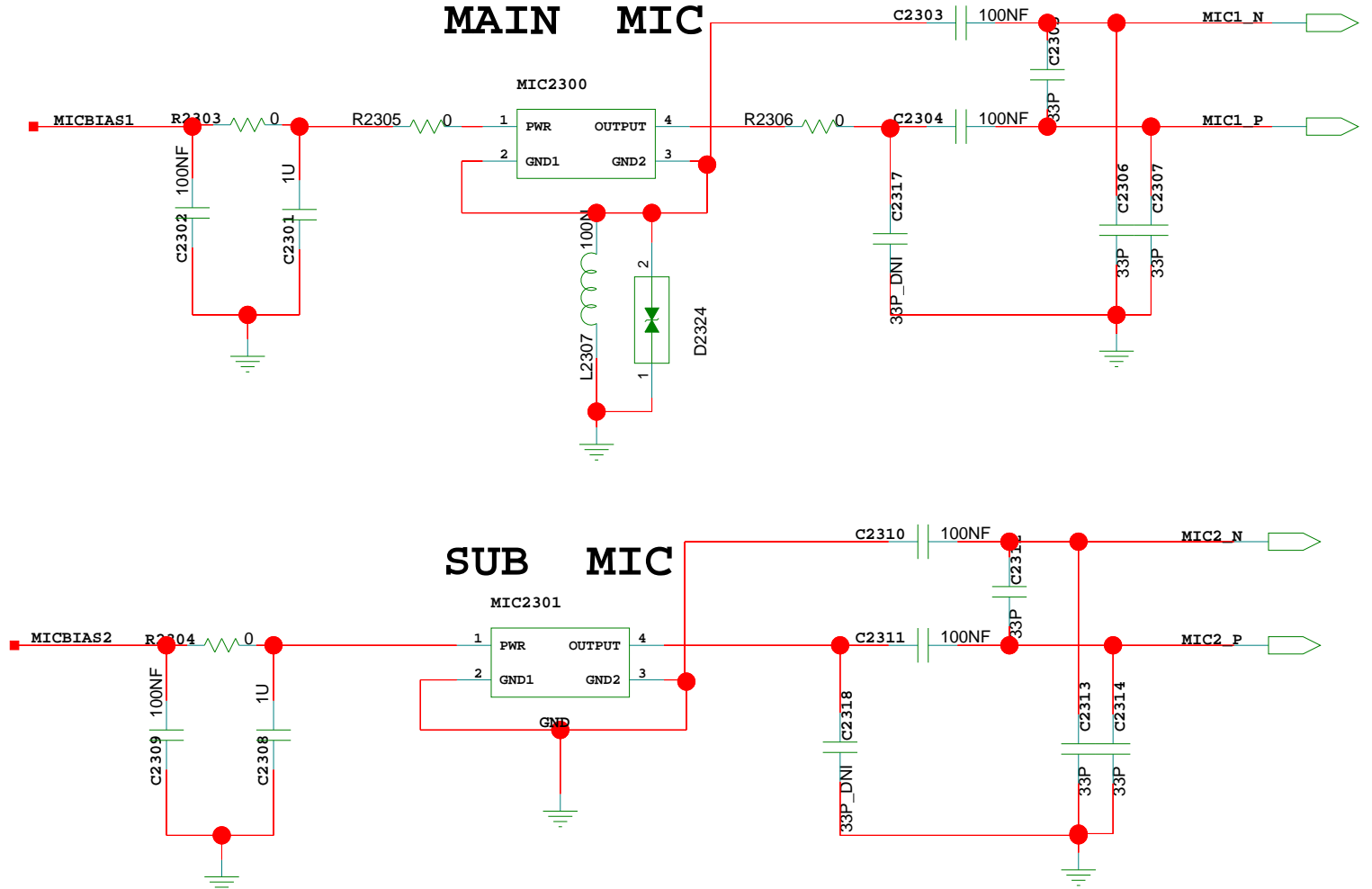


## RCV



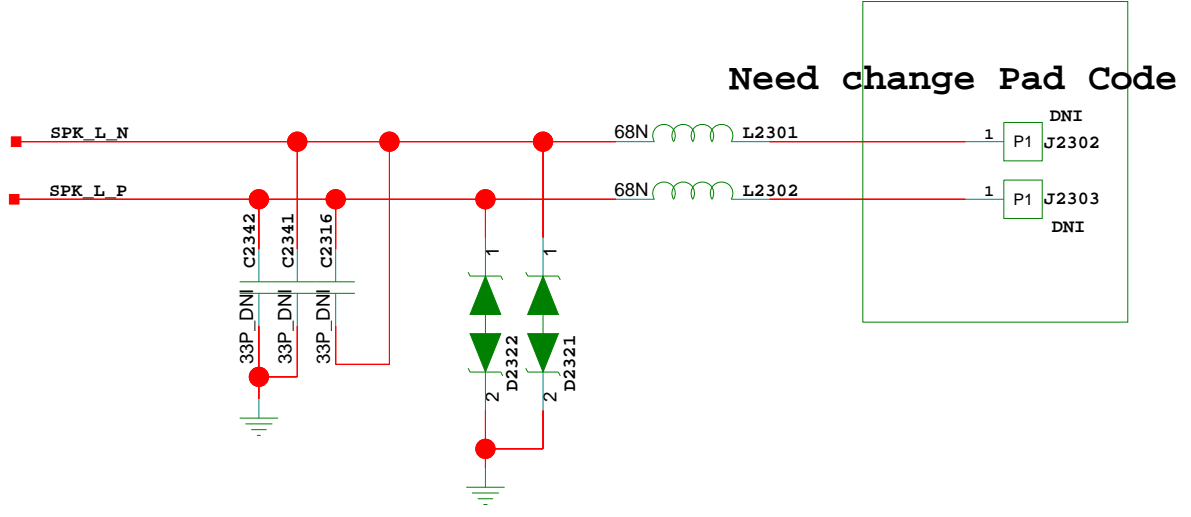
## MAIN MIC

## SUB MIC



MIC1N and MIC1P should refer to same GND in one layer

## SPK

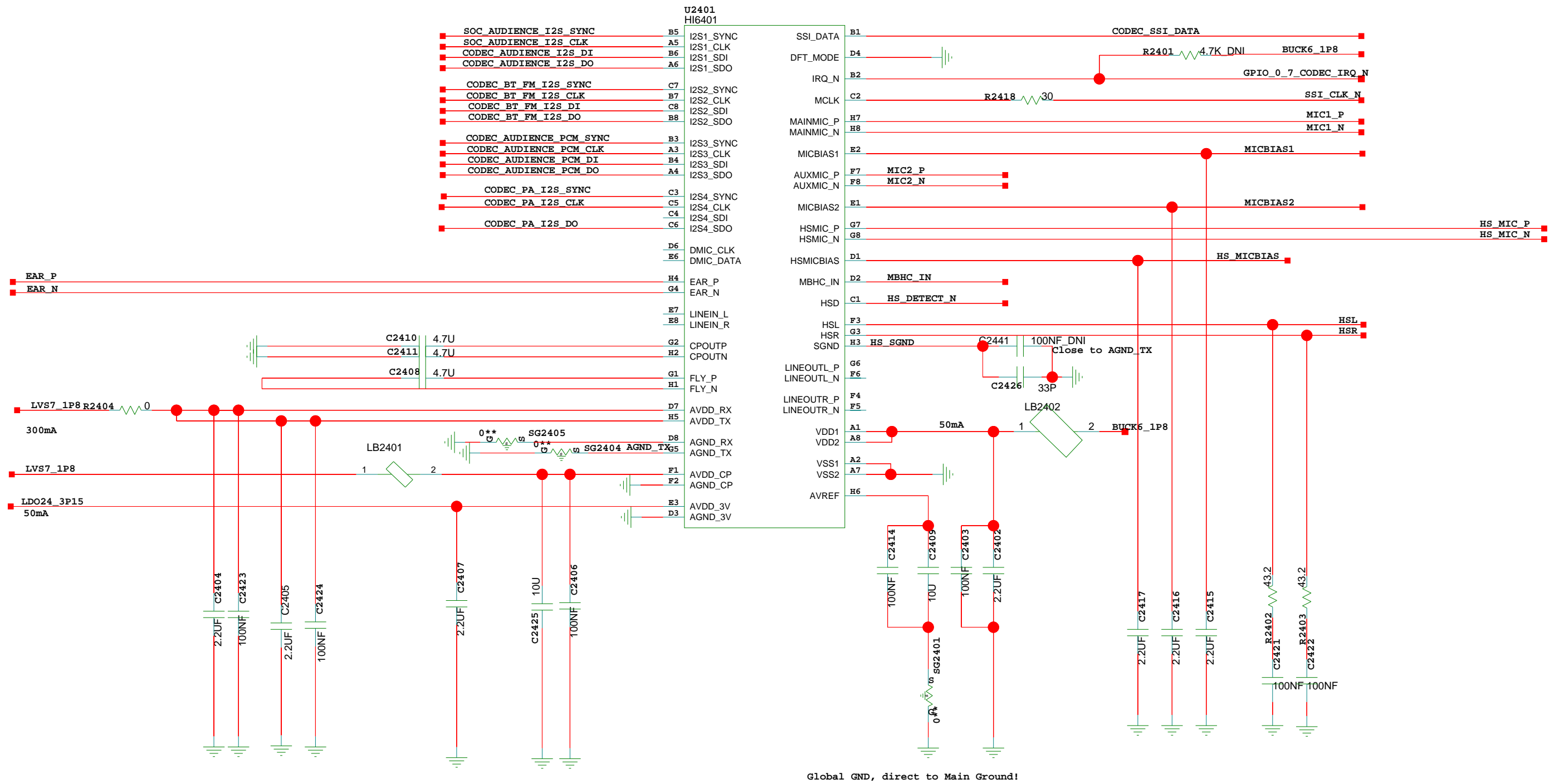


The type and specification of the components refer to the BOM

				NA	2013/10/8
				ECA NO	DATE
DESIGNED	Chenjiang 00189391	HL2CSOPHIAMP		03022PXF_SCHZH	
REVIEWED	CHAOKANGJIE 00132205	VER	PART_NUMBER	SHEET 23 OF 61	
		A	03022PXF	HUAWAI TECH CO.,LTD.	



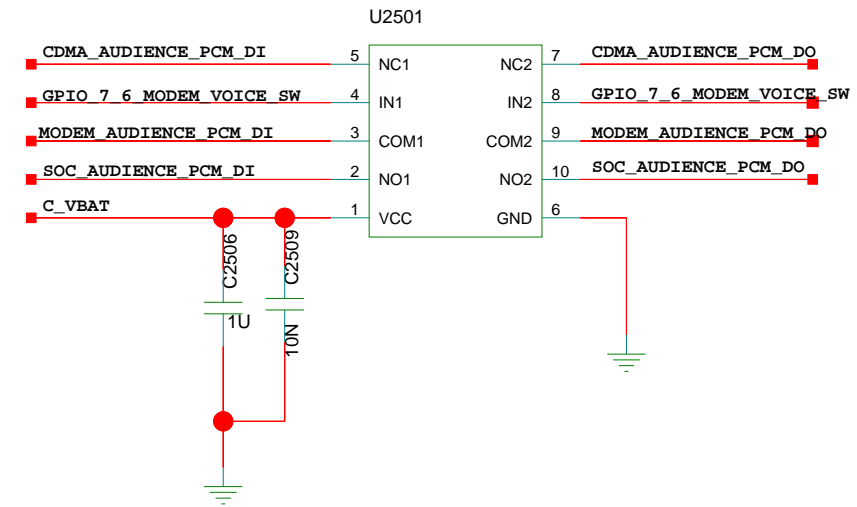
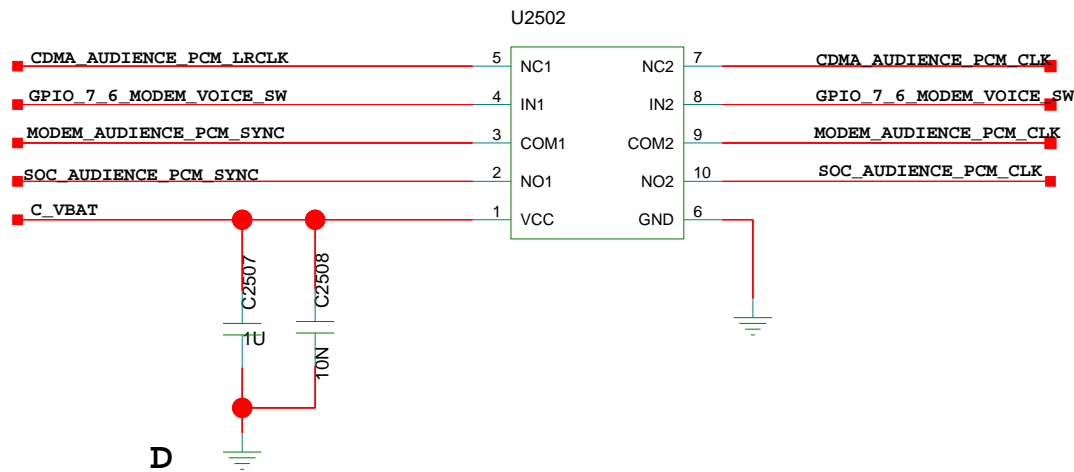
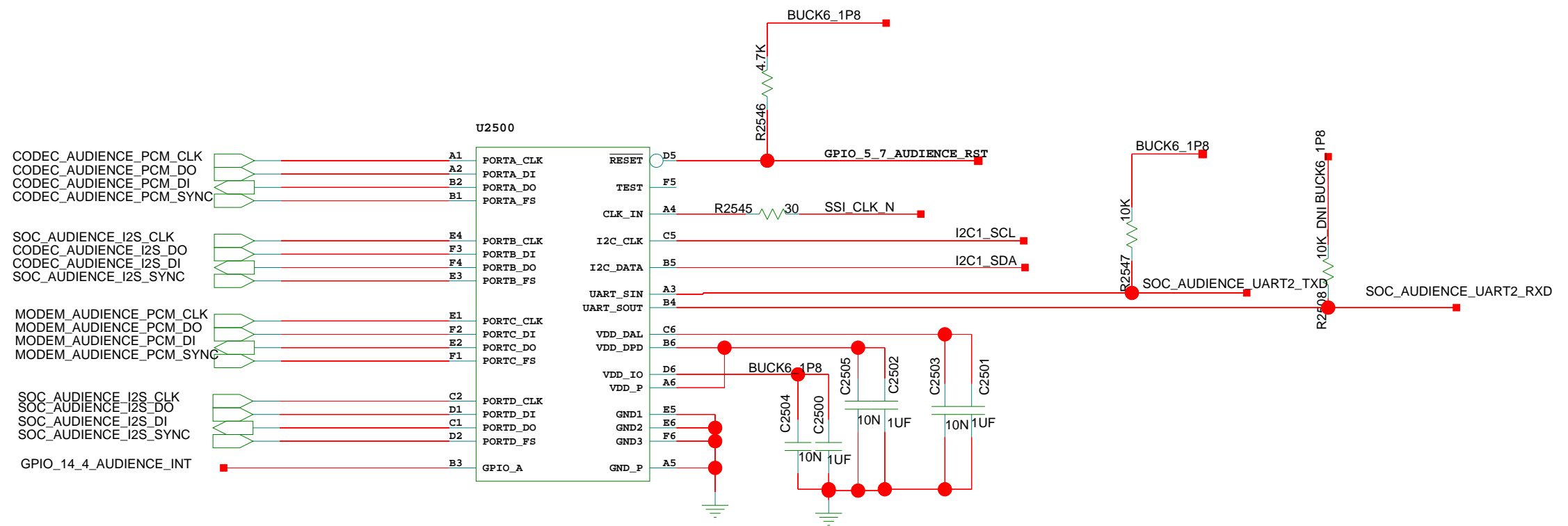
# 24. Codec



The type and specification of the components refer to the BOM

				NA	2013/10/8
				ECA NO	DATE
DESIGNED	Chenjiang 00189391	HL2CSOPHIAMP		03022PXF_SCHZH	
REVIEWED	CHAOKANGJIE 00132205	VER	PART_NUMBER	SHEET 24 OF 61	
		A	03022PXF	HUAWEI TECH CO.,LTD.	

25.RESERVED

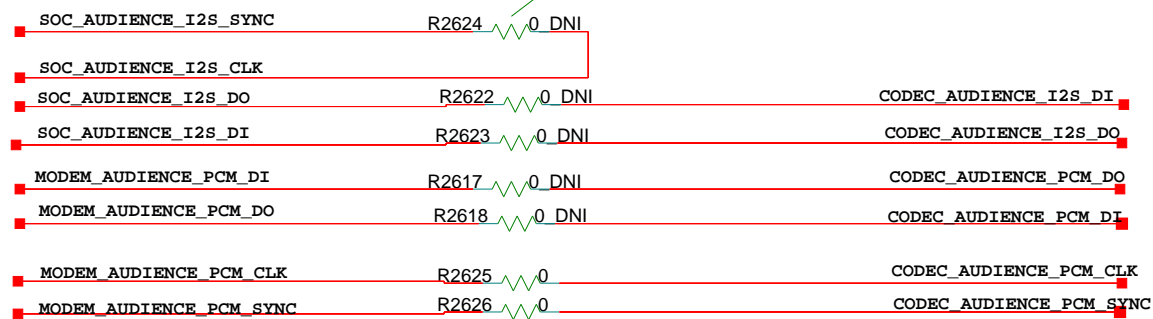


The type and specification of the components refer to the BOM

				NA	2013/10/8
				ECA NO	DATE
DESIGNED	Chenjiang 00189391	HL2CSOPHIAMP		03022PXF_SCHZH	
REVIEWED	CHAOKANGJIE 00132205	VER	PART_NUMBER	SHEET 25 OF 61	
		A	03022PXF	HUAWEI TECH CO.,LTD.	

# 26. RESERVED

Test Point



The type and specification of the components refer to the BOM

				NA	2013/10/8
				ECA NO	DATE
DESIGNED	Chenjiang 00189391	HL2CSOPHIAMP		03022PXF_SCHZH	
REVIEWED	CHAOKANGJIE 00132205				
		VER	PART_NUMBER	SHEET 26 OF 61	
		A	03022PXF	HUAWEI TECH CO.,LTD.	

27. RESERVED

A

A

B

B

C

C

D

D

The type and specification of the components refer to the BOM

				NA	2013/10/8
				ECA NO	DATE
DESIGNED	Chenjiang 00189391	HL2CSOPHIAMP		03022PXF_SCHZH	
REVIEWED	CHAOKANGJIE 00132205	VER	PART_NUMBER	SHEET 27 OF 61	
		A	03022PXF	HUAWEI TECH CO.,LTD.	



28. RESERVED

A

A

B

B

C

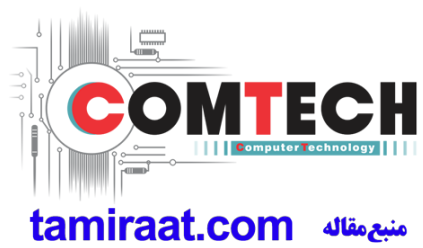
C

D

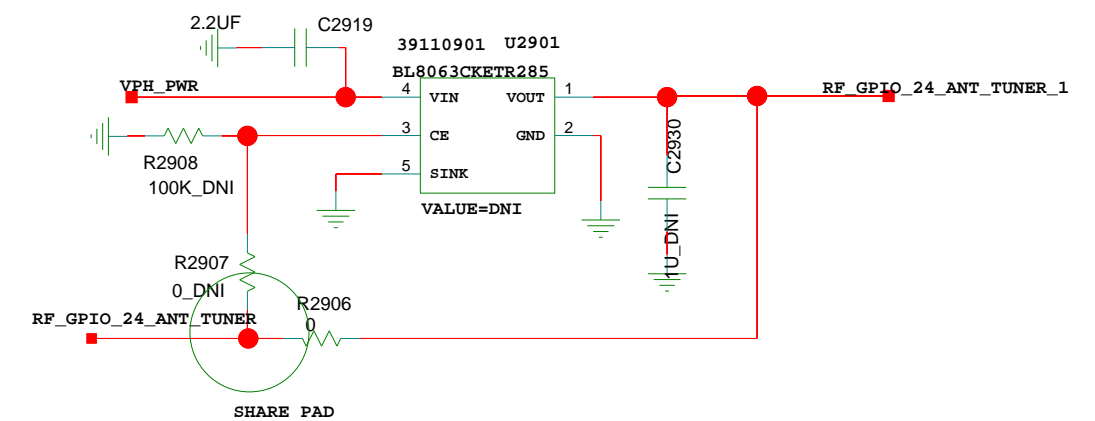
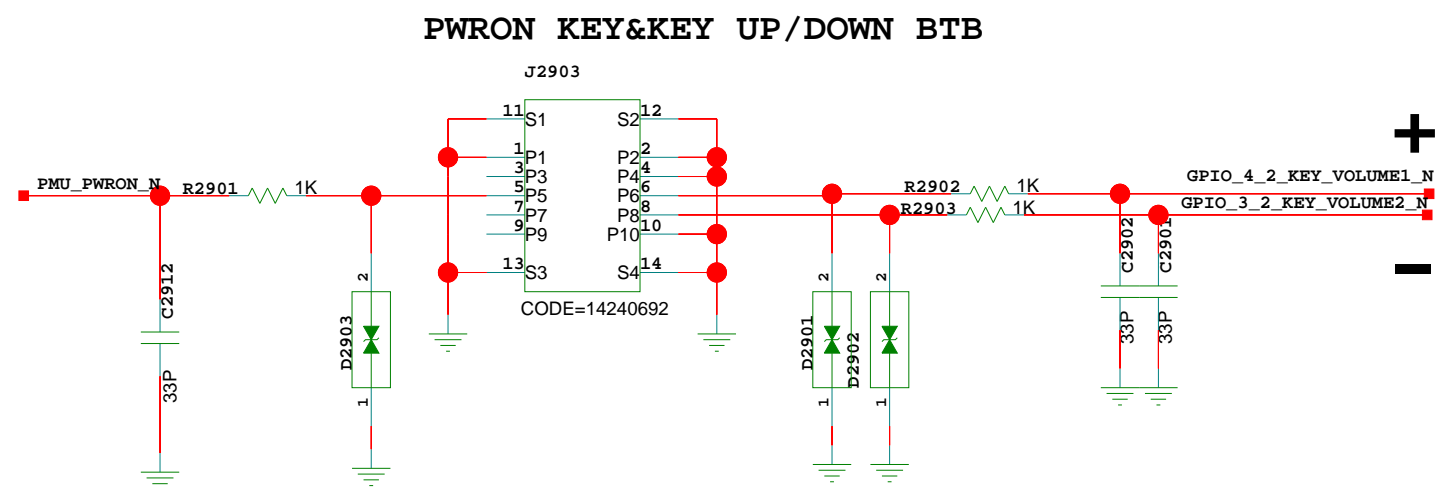
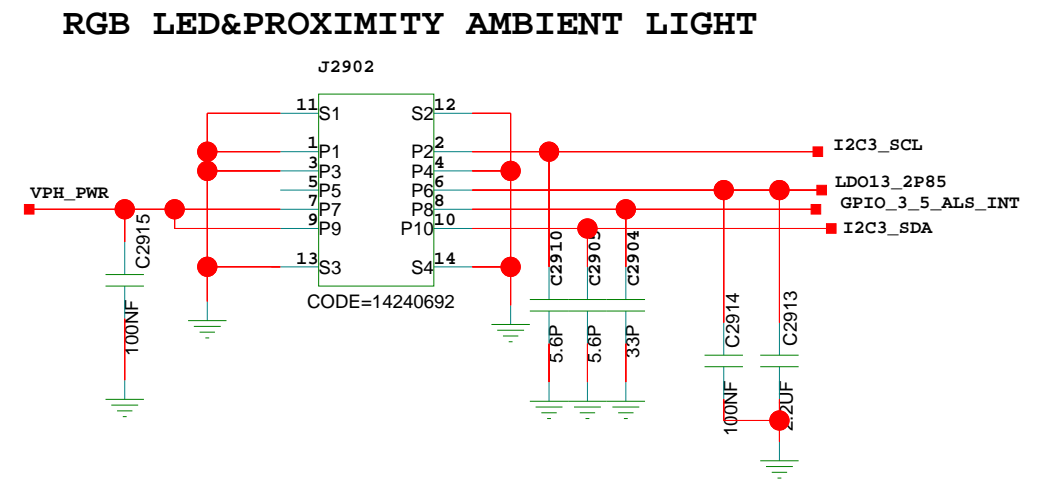
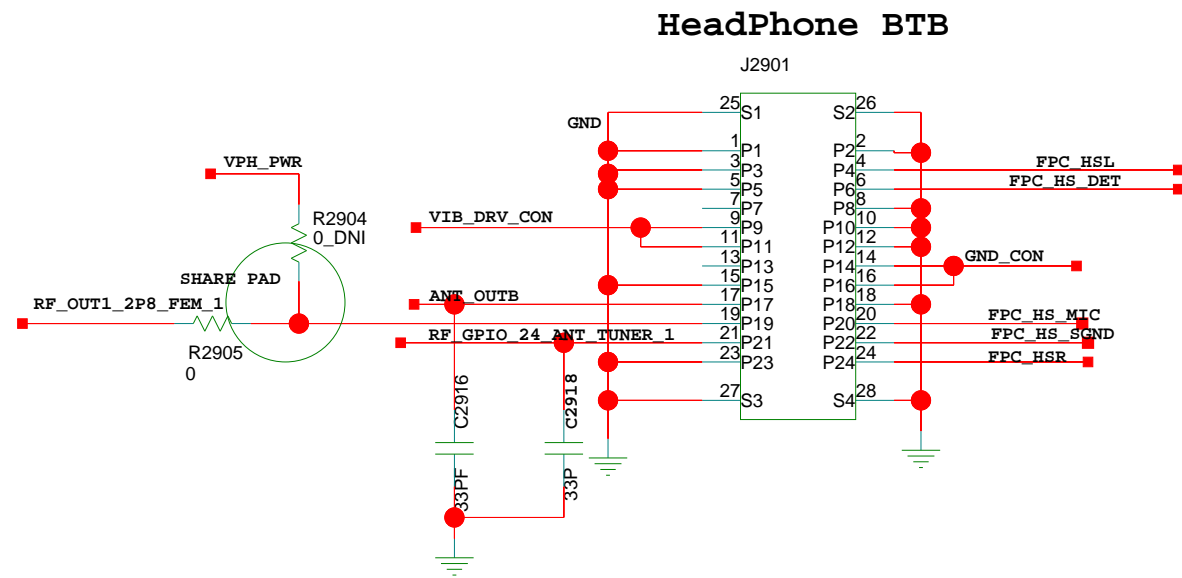
D

The type and specification of the components refer to the BOM

				NA	2013/10/8
				ECA NO	DATE
DESIGNED	Chenjiang 00189391	HL2CSOPHIAMP		03022PXF_SCHZH	
REVIEWED	CHAOKANGJIE 00132205	VER	PART_NUMBER	SHEET 28 OF 61	
		A	03022PXF	HUAWEI TECH CO.,LTD.	



# 29. FPC Interface



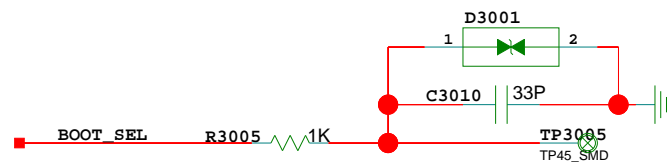
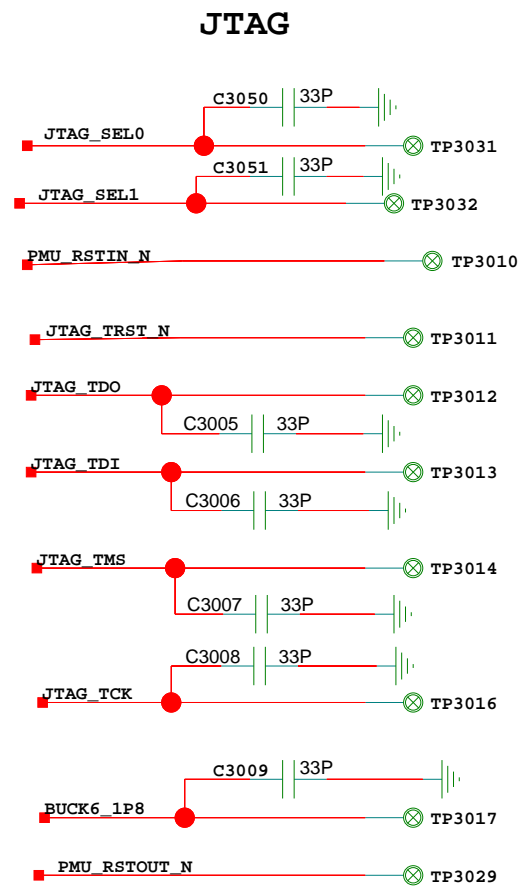
The type and specification of the components refer to the BOM

				NA	2013/10/8
				ECA NO	DATE
DESIGNED	Chenjiang 00189391			03022PXF_SCHZH	
REVIEWED	CHAOKANGJIE 00132205			03022PXF_SCHZH	
		VER	PART_NUMBER	SHEET 29 OF 61	
		A	03022PXF	HUAWEI TECH CO.,LTD.	

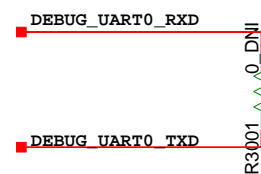
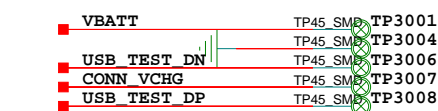


# 30. Test Points/JTAG/Shields

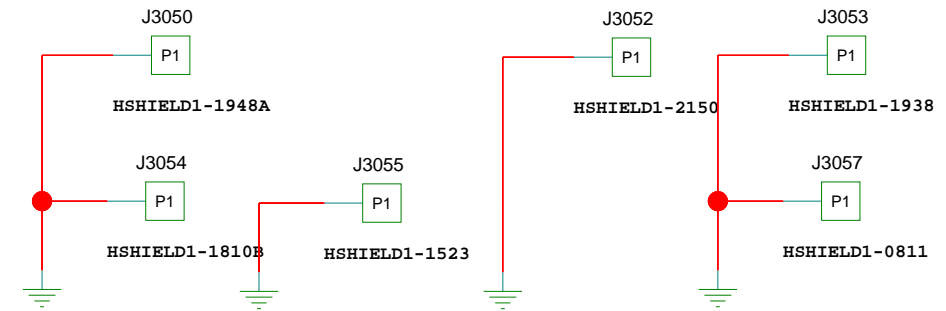
## JTAG



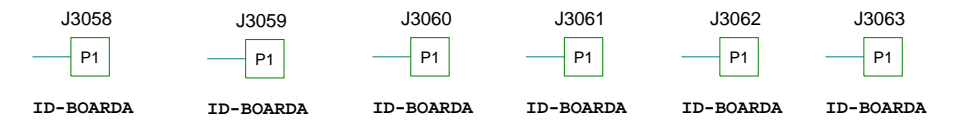
### TEST POINT FOR CT&BT



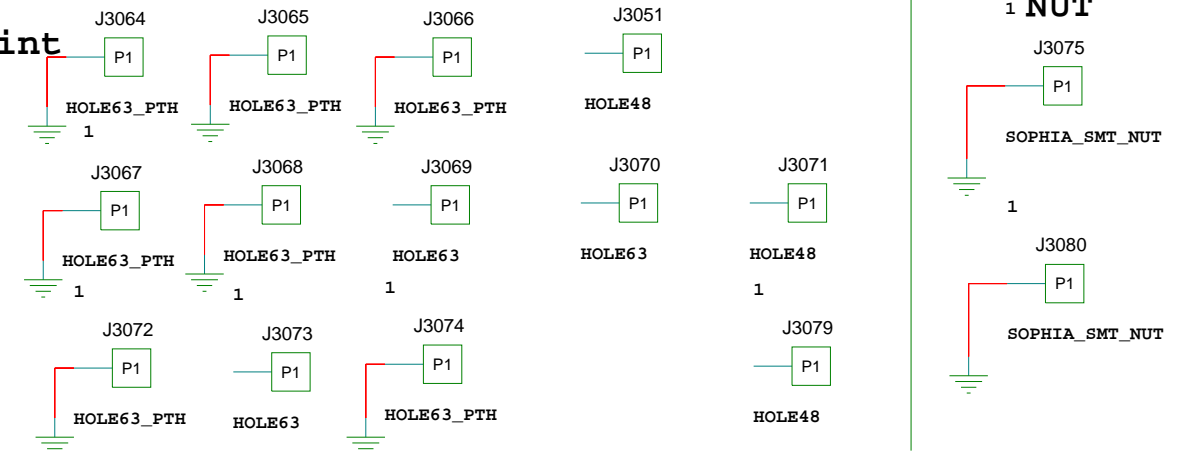
## Shield



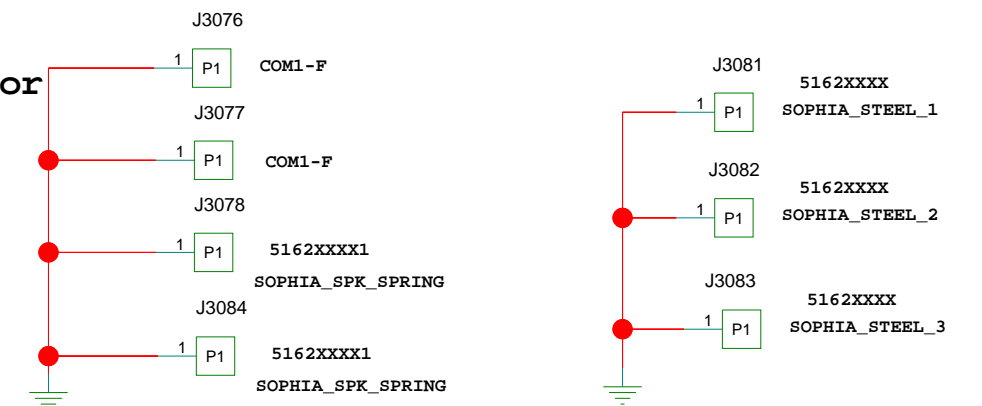
## Mark Point



## POS Point



## GND Connector



The type and specification of the components refer to the BOM

				NA	2013/10/8
				ECA NO	DATE
DESIGNED	Chenjiang 00189391	HL2CSOPHIAMP		03022PXF_SCHZH	
REVIEWED	CHAOKANGJIE 00132205	VER	PART_NUMBER	SHEET 30 OF 61	
		A	03022PXF	HUAWEI TECH CO.,LTD.	

# 31.RF Interface

A

A

B

B

C

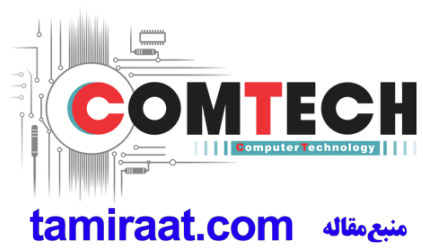
C

D

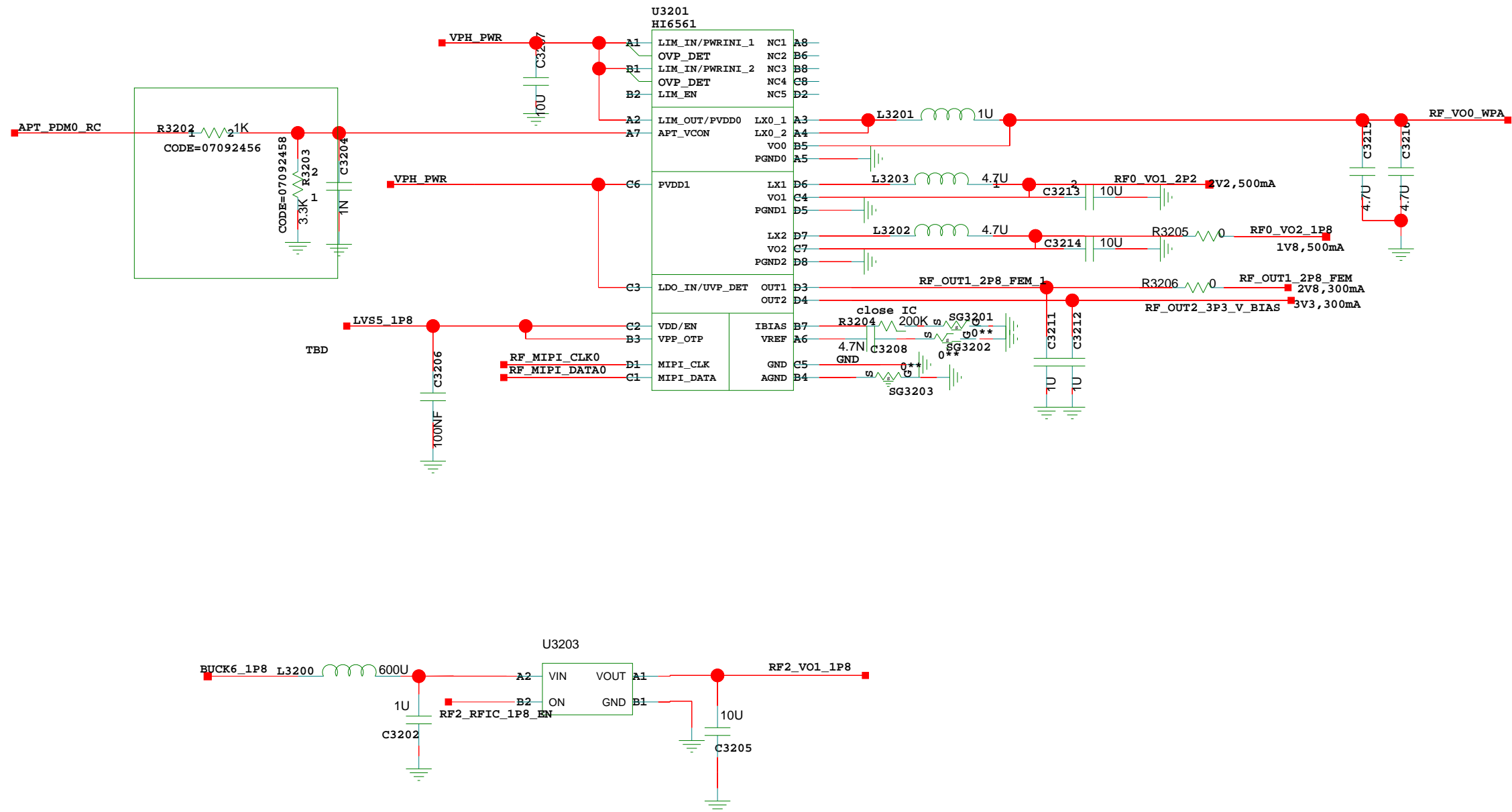
D

The type and specification of the components refer to the BOM

				NA	2013/10/8
				ECA NO	DATE
DESIGNED	Chenjiang 00189391	HL2CSOPHIAMP		03022PXF_SCHZH	
REVIEWED	CHAOKANGJIE 00132205				
		VER	PART_NUMBER	SHEET 31 OF 61	
		A	03022PXF	HUAWEI TECH CO.,LTD.	



# 32.RF PMU(CH0)/External Regulator CH1



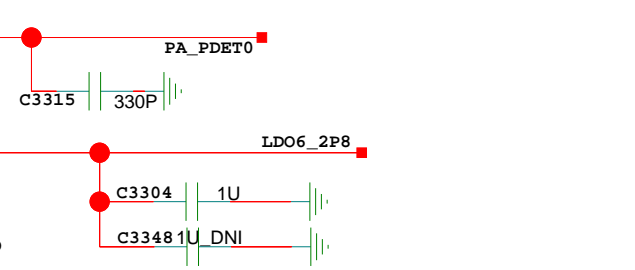
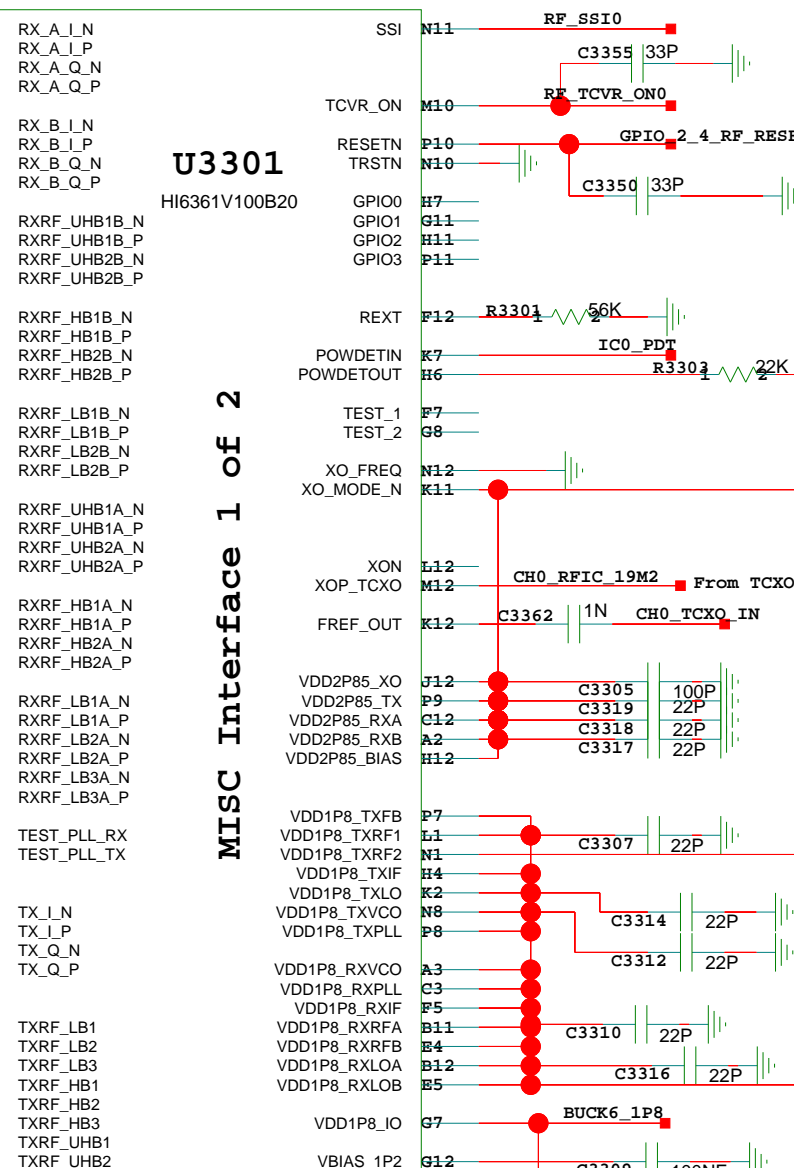
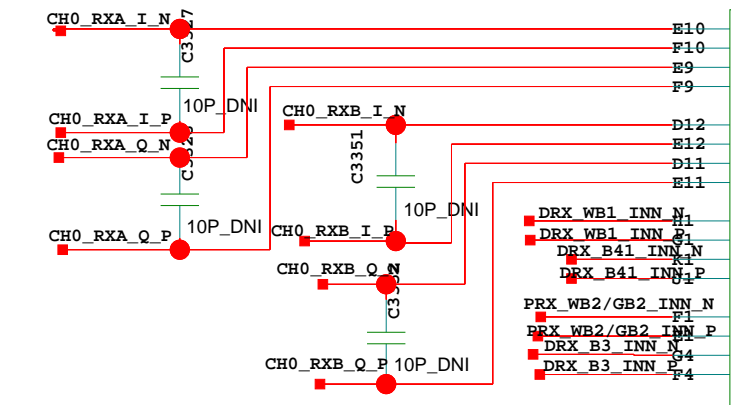
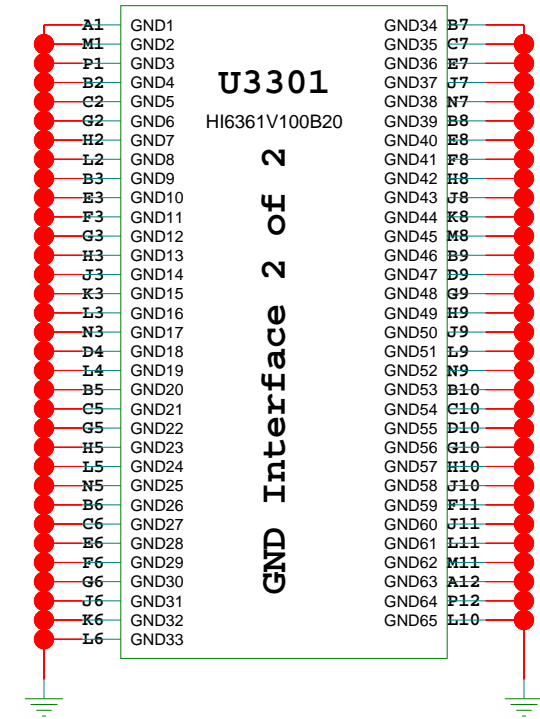
The type and specification of the components refer to the BOM

				24-04-2014_17:25
			NA	2013/10/8
			ECA NO	DATE
DESIGNED	Chenjiang 00189391	HL2CSOPHIAMP		03022PXF_SCHZH
REVIEWED	CHAOKANGJIE 00132205			
		VER	PART_NUMBER	SHEET 32 OF 61
		A	03022PXF	HUAWEI TECH CO.,LTD.

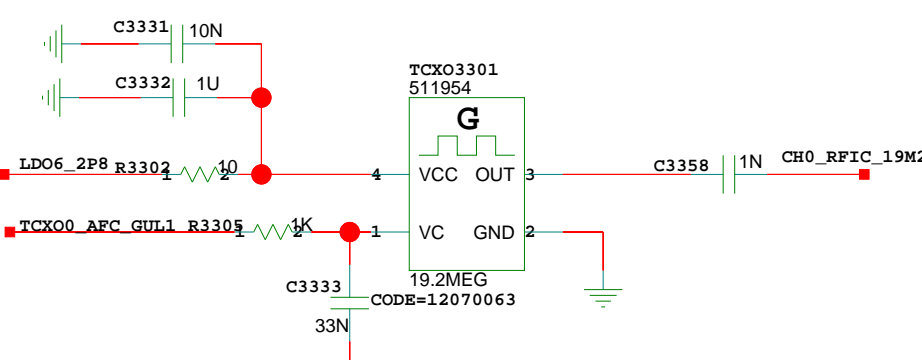
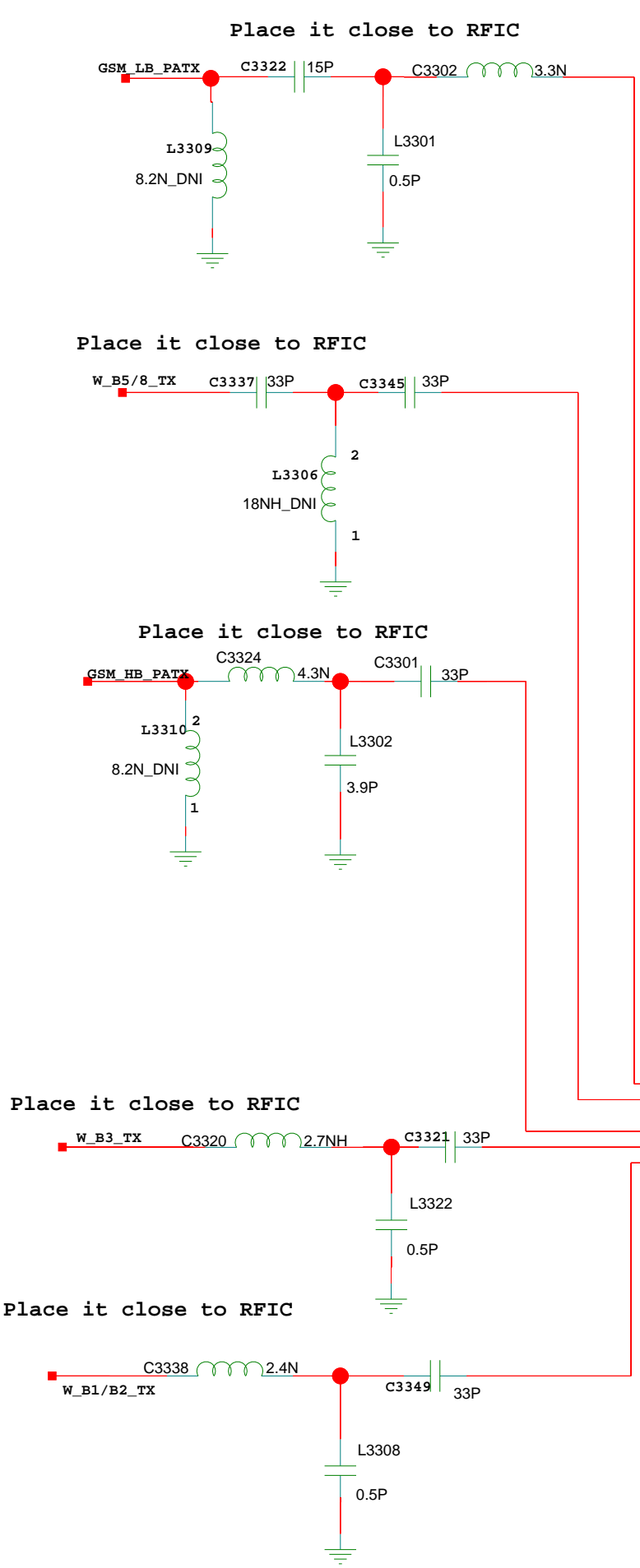
# 33.RF Transceiver

2G: G2/3/5/8  
W: B1/2/4/5/8

	UHB1	UHB2	HB1	HB2	HB3	LB1	LB2	LB3
TX			GB2/3	B4/B34/B39	B1/2	GB5/8	B5/8	
RX_A	B1		B39	G3				
RX_B	B1	B3	B2/G2			B8/GB8	B5/G5	



C3304	K11
R3301	F12
C3305	J12
C3319	P9
C3318	C12
C3317	A2
C3306	P7
C3307	L1
C3313	H4
C3314	K2
C3312	N8
C3310	A3
C3316	B12
C3309	G12

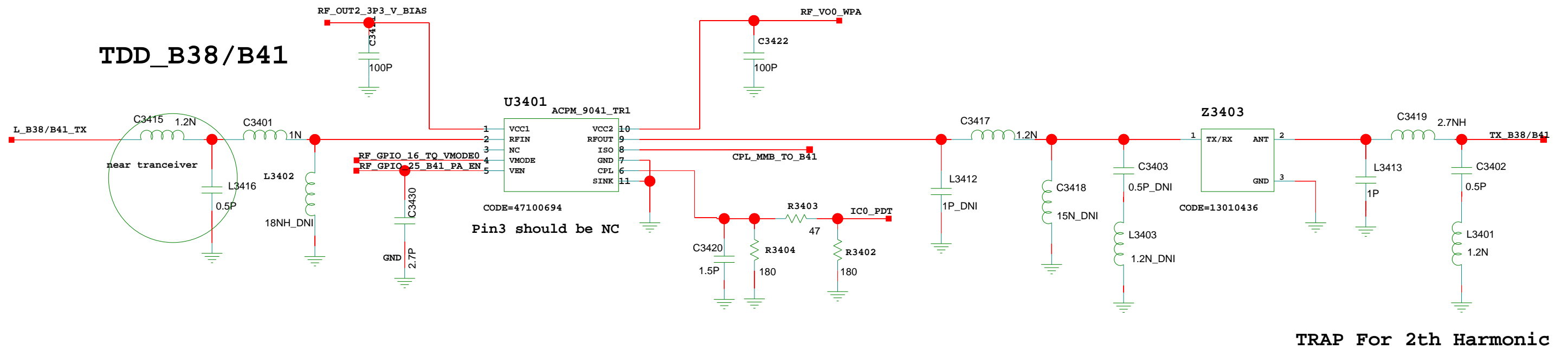


The type and specification of the components refer to the BOM

DESIGNED	Chenjiang 00189391	HL2CSOPHIAMP	03022PXF_SCHZH
REVIEWED	CHAOKANGJIE 00132205		
VER	A	PART_NUMBER	03022PXF
		SHEET	33 OF 61
		HUAWEI TECH CO.,LTD.	

# 34.RF TDD TX

## TDD\_B38/B41

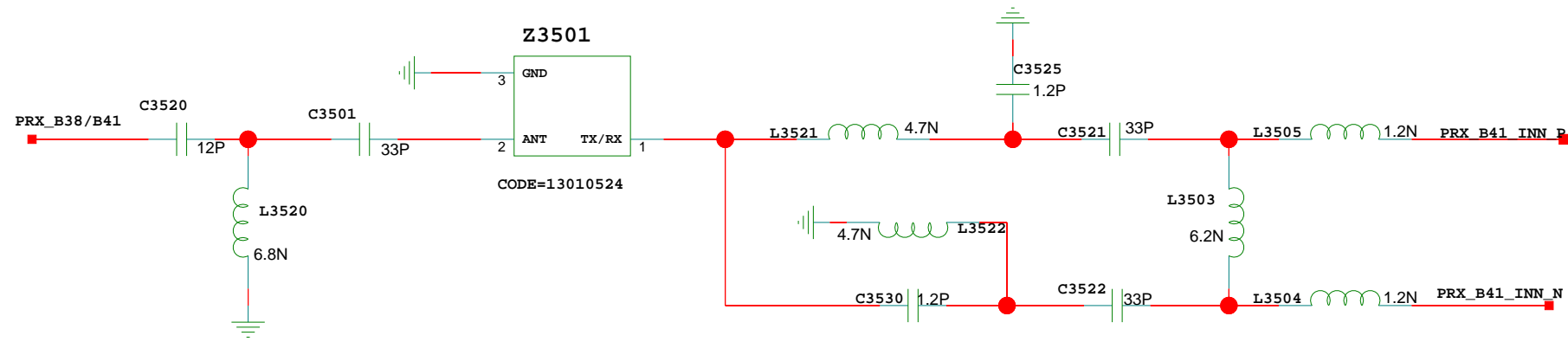


The type and specification of the components refer to the BOM

				NA	2013/10/8
				ECA NO	DATE
DESIGNED	Chenjiang 00189391	HL2CSOPHIAMP		03022PXF_SCHZH	
REVIEWED	CHAOKANGJIE 00132205	VER	PART_NUMBER	SHEET 34 OF 61	
		A	03022PXF	HUAWEI TECH CO.,LTD.	

35.RF TDD RX

RX\_LTE B41



The type and specification of the components refer to the BOM

				NA	2013/10/8
				ECA NO	DATE
DESIGNED	Chenjiang 00189391	HL2CSOPHIAMP		03022PXF_SCHZH	
REVIEWED	CHAOKANGJIE 00132205				
		VER	PART_NUMBER	SHEET 35 OF 61	
		A	03022PXF	HUAWEI TECH CO.,LTD.	



Reserved

A

A

B

B

C

C

D

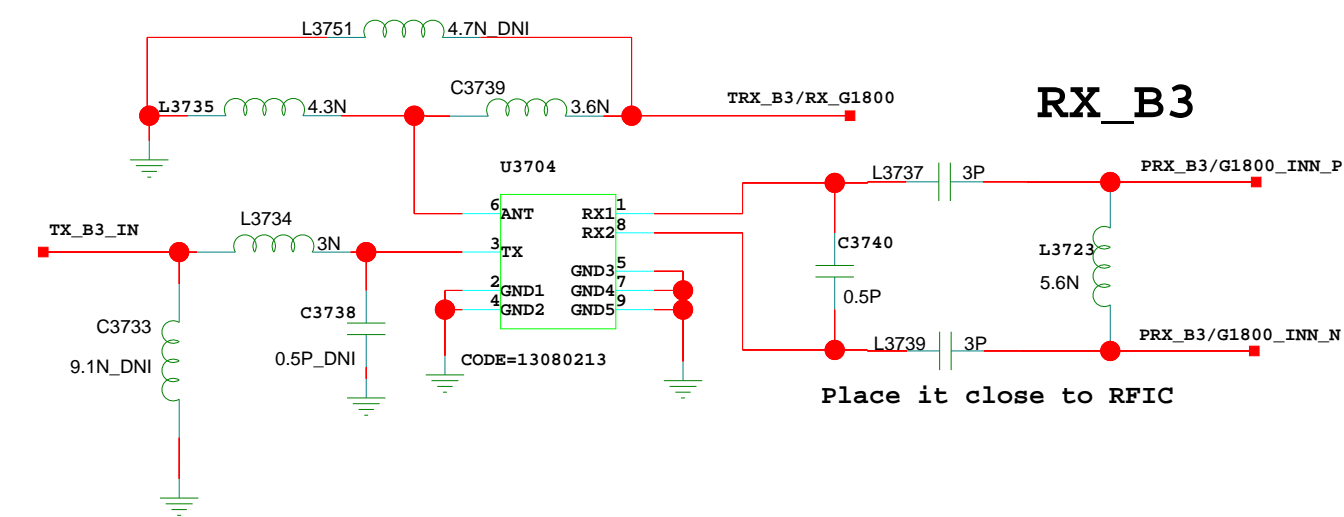
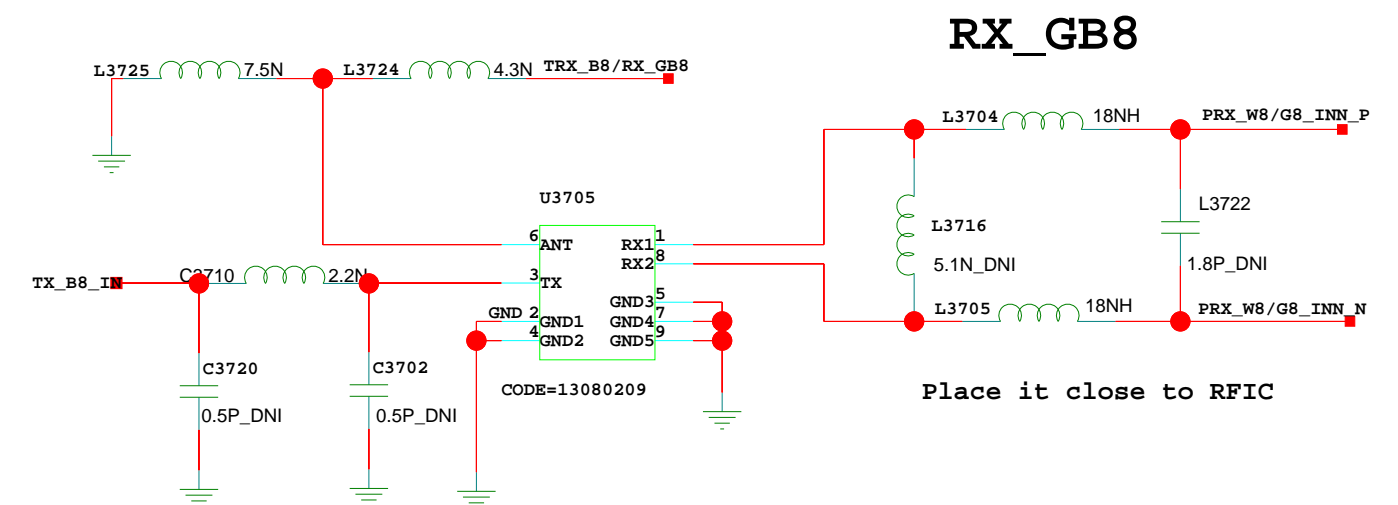
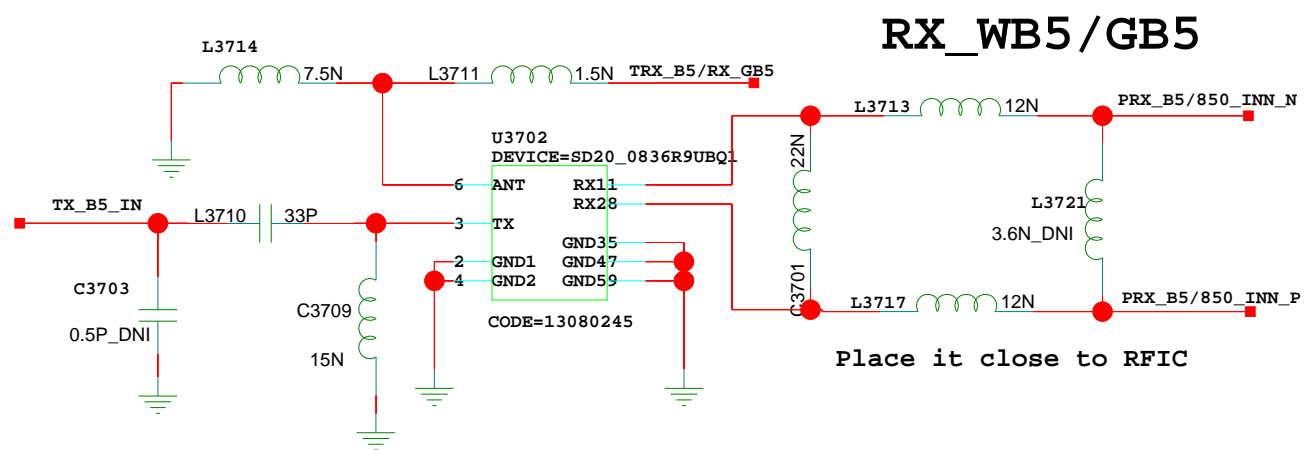
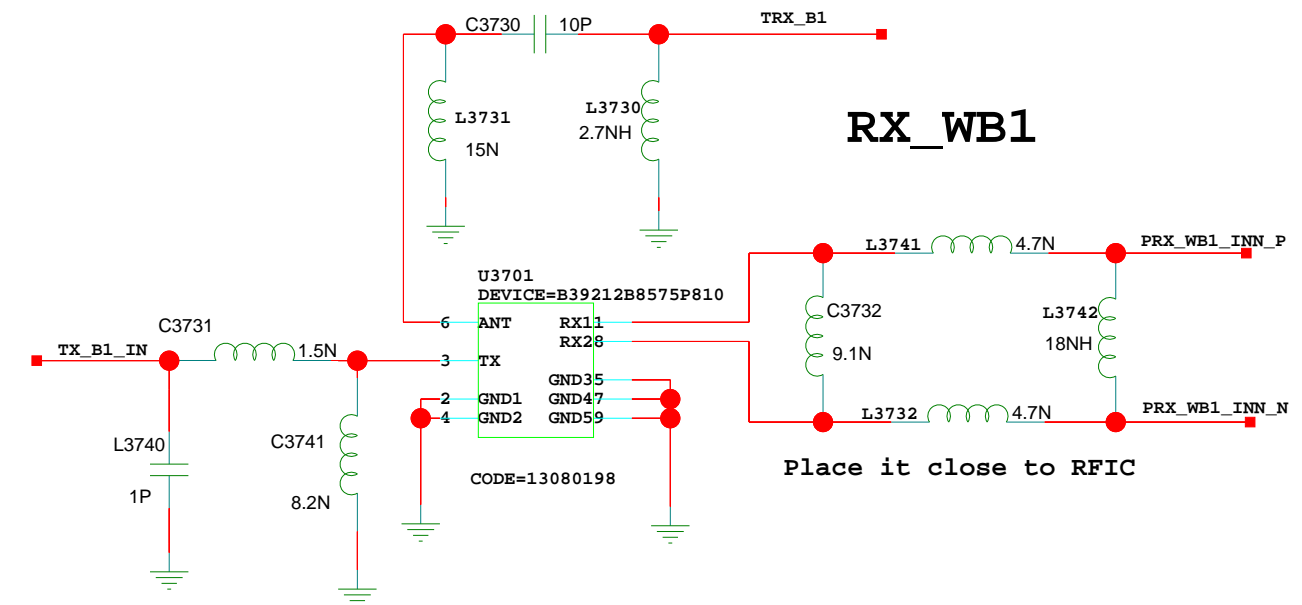
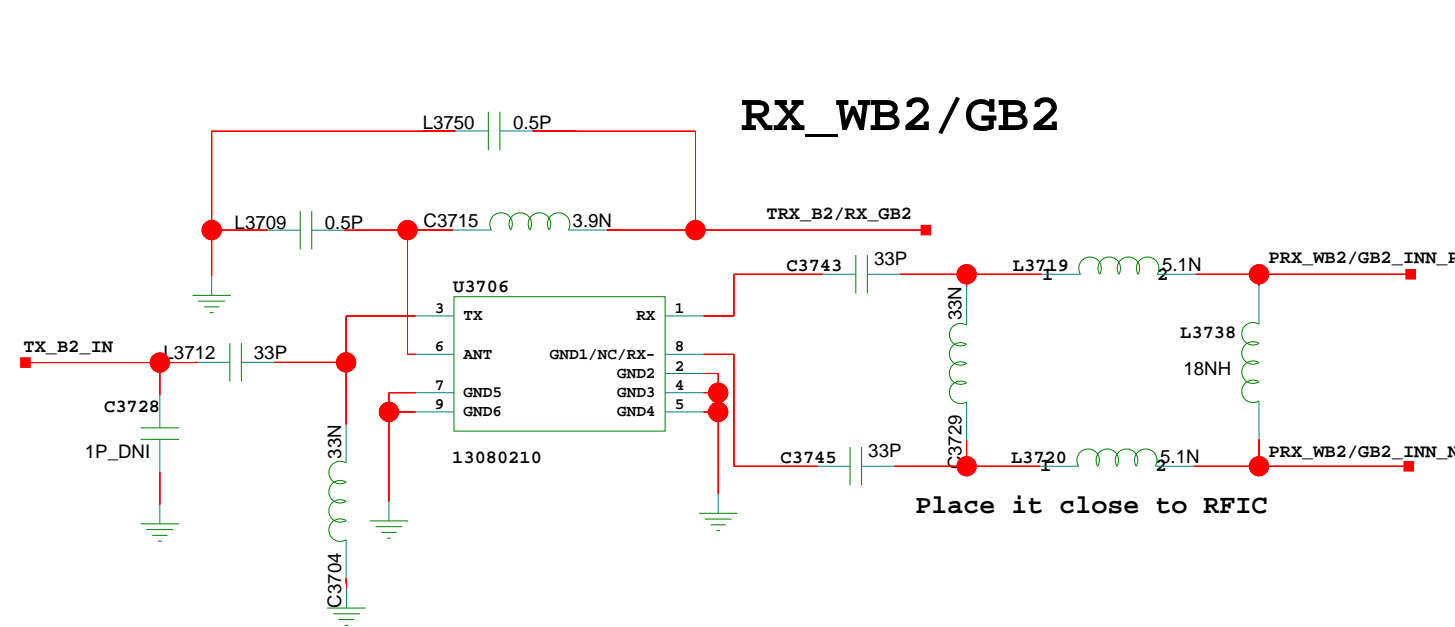
D

The type and specification of the components refer to the BOM

				NA	2013/10/8
				ECA NO	DATE
DESIGNED	Chenjiang 00189391	HL2CSOPHIAMP		03022PXF_SCHZH	
REVIEWED	CHAOKANGJIE 00132205	VER	PART_NUMBER	SHEET 36 OF 61	
		A	03022PXF	HUAWEI TECH CO.,LTD.	



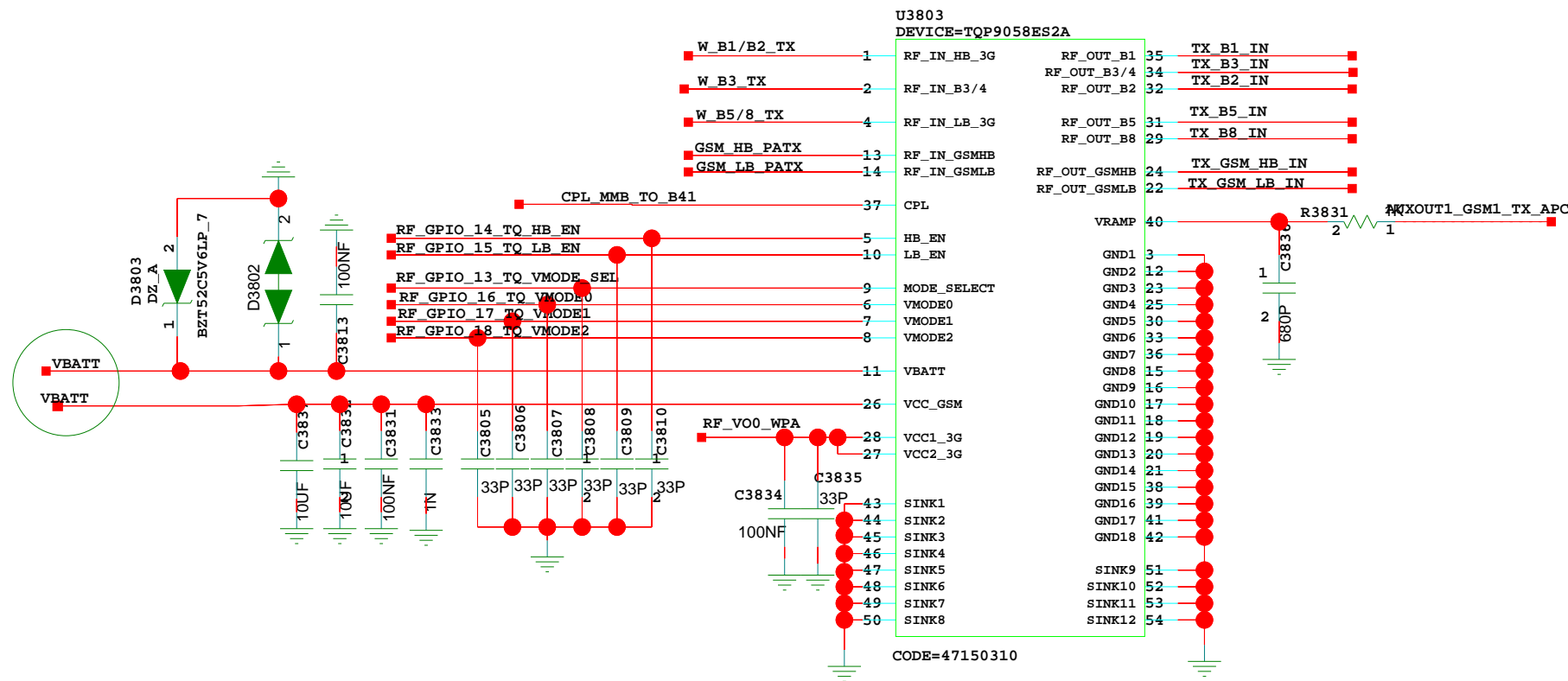
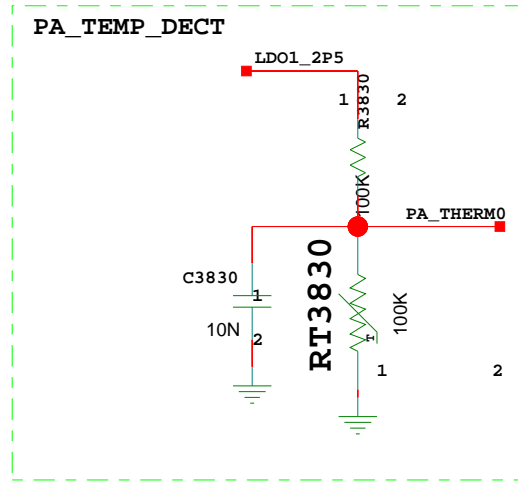
# 37.RF Front End LW B1/B2/B3/B5/B8 TRX



The type and specification of the components refer to the BOM

DESIGNED	Chenjiang 00189391	HL2CSOPHIAMP	03022PXF_SCHZH
REVIEWED	CHAOKANGJIE 00132205	VER	PART_NUMBER
		A	03022PXF
			SHEET 37 OF 61
			HUAWEI TECH CO.,LTD.
			NA 2013/10/8
			ECA NO DATE

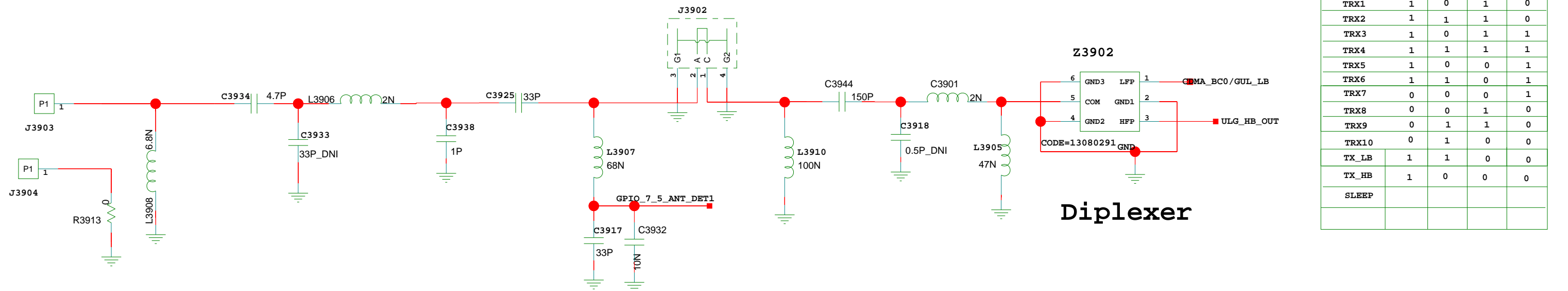
# 38.RF Front End MMBPA



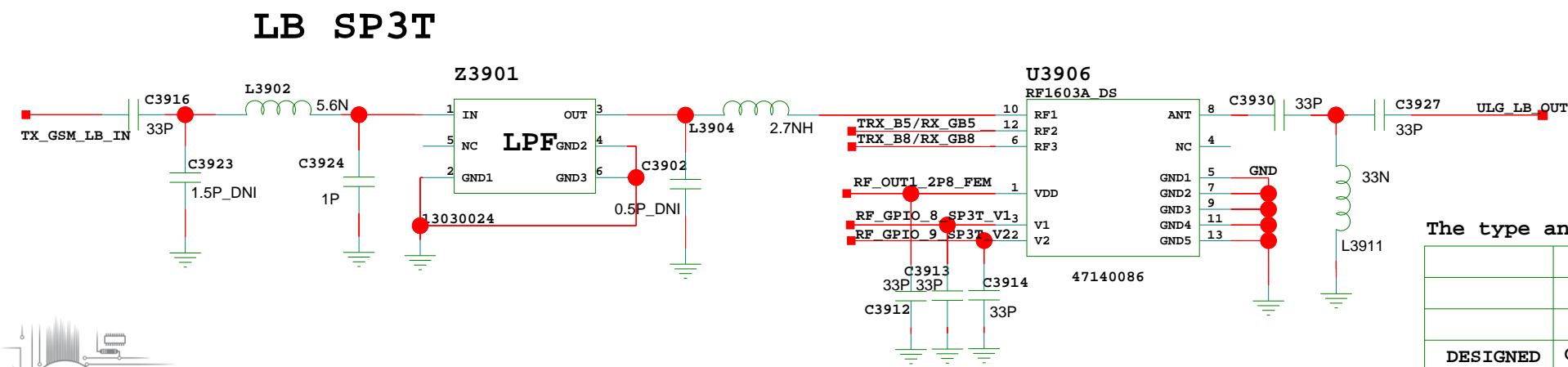
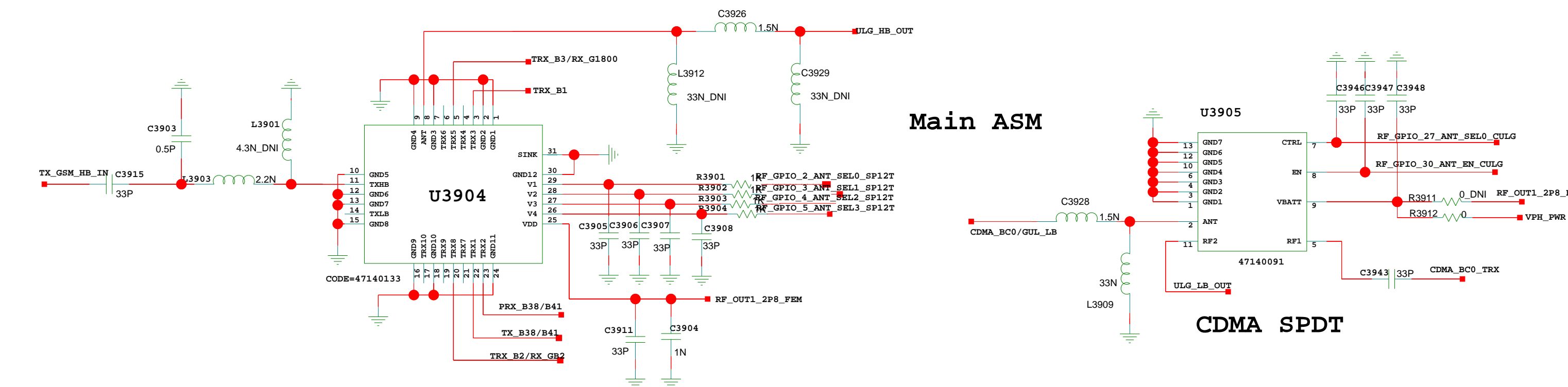
The type and specification of the components refer to the BOM

				NA	2013/10/8
				ECA NO	DATE
DESIGNED	Chenjiang 00189391	HL2CSOPHIAMP		03022PXF_SCHZH	
REVIEWED	CHAOKANGJIE 00132205				
		VER	PART_NUMBER	SHEET 38 OF 61	
		A	03022PXF	HUAWEI TECH CO.,LTD.	

# 39.RF Front End MAIN ANT TUNNER



MODE	V1	V2	V3	V4
TRX1	1	0	1	0
TRX2	1	1	1	0
TRX3	1	0	1	1
TRX4	1	1	1	1
TRX5	1	0	0	1
TRX6	1	1	0	1
TRX7	0	0	0	1
TRX8	0	0	1	0
TRX9	0	1	1	0
TRX10	0	1	0	0
TX_LB	1	1	0	0
TX_HB	1	0	0	0
SLEEP				

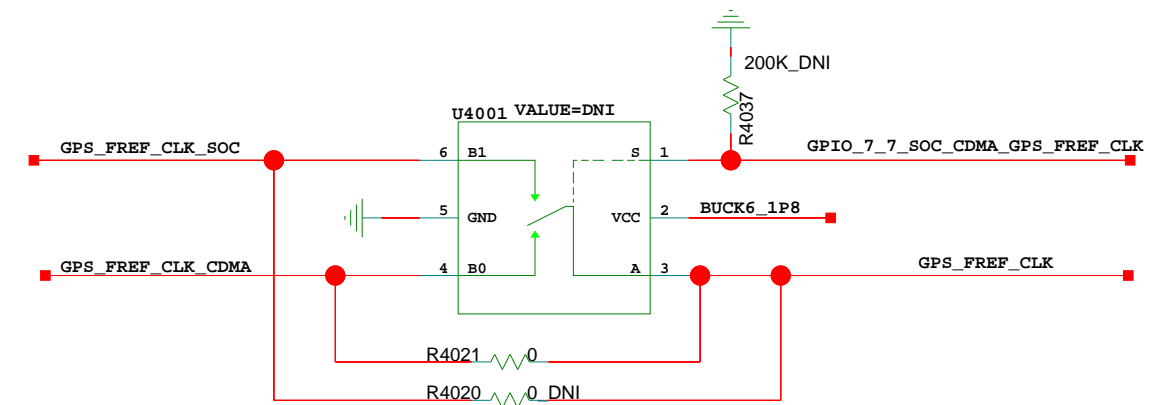
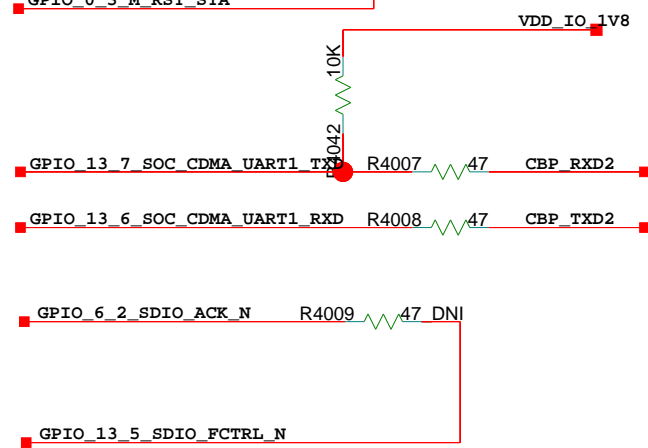
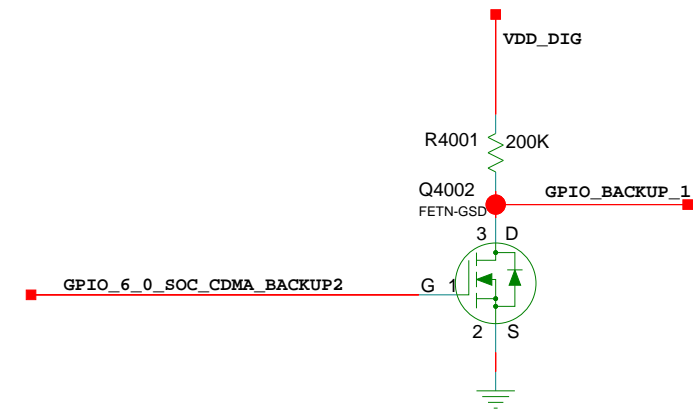
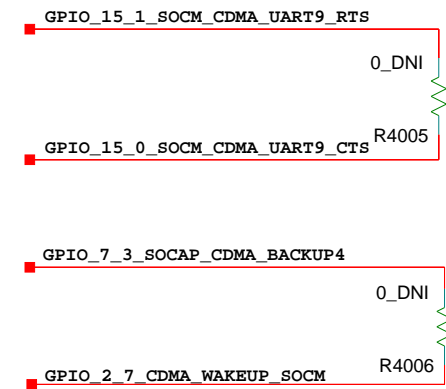
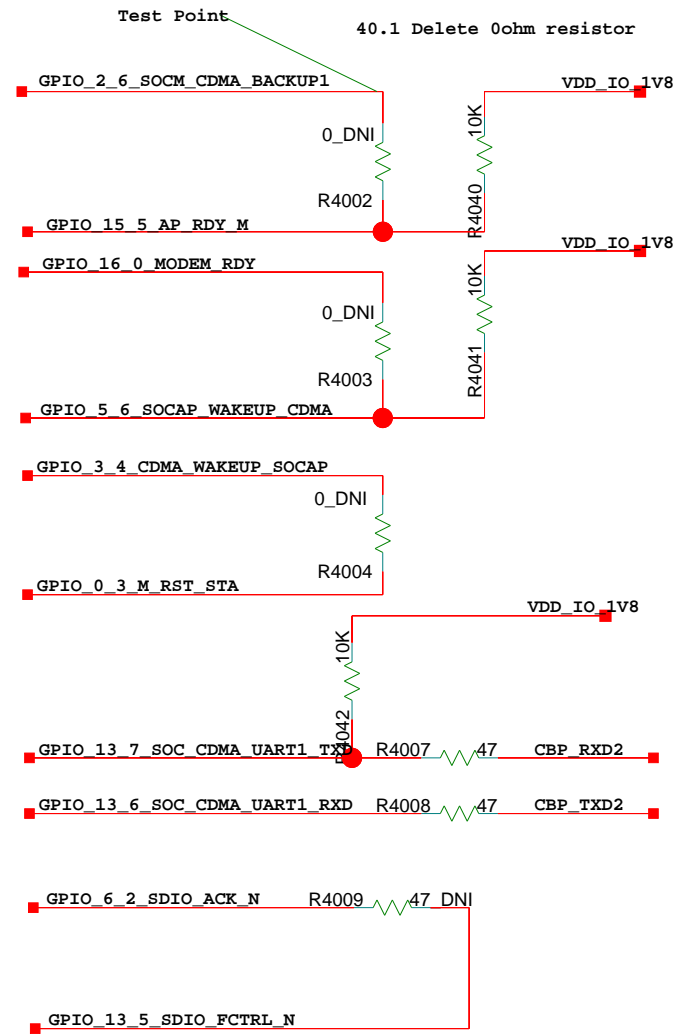
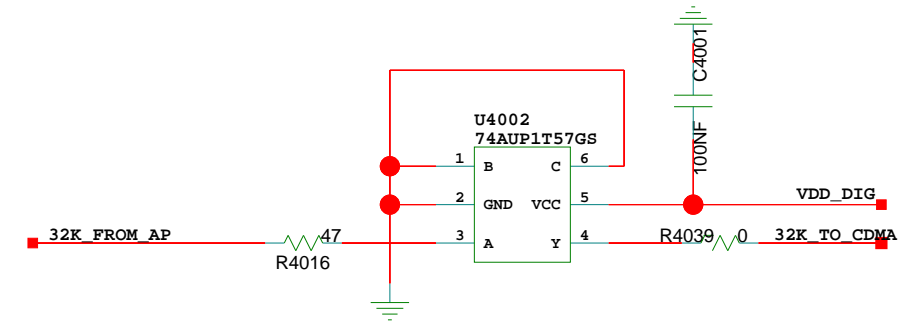
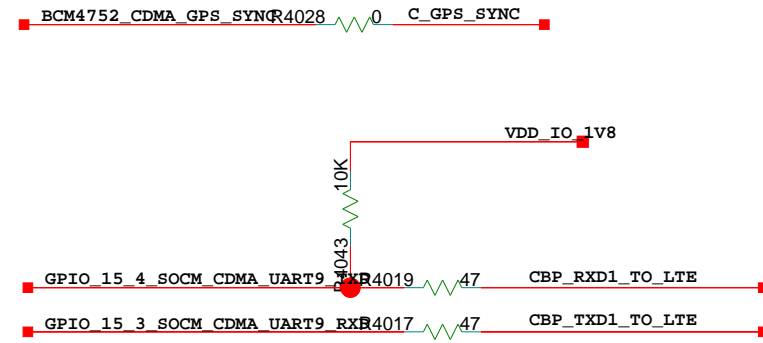
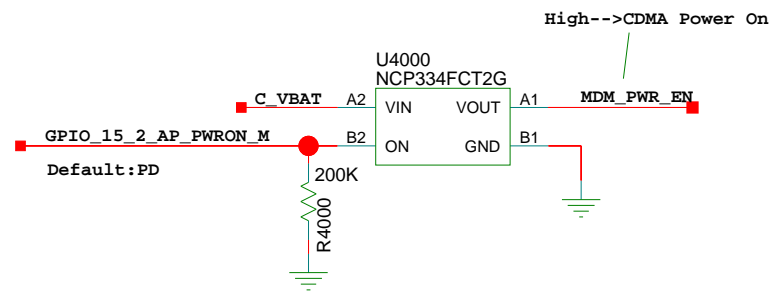


The type and specification of the components refer to the BOM

DESIGNED	Chenjiang 00189391	HL2CSOPHIAMP	03022PXF_SCHZH
REVIEWED	CHAOKANGJIE 00132205	VER	PART_NUMBER
		A	03022PXF
			SHEET 39 OF 61
			HUAWEI TECH CO.,LTD.



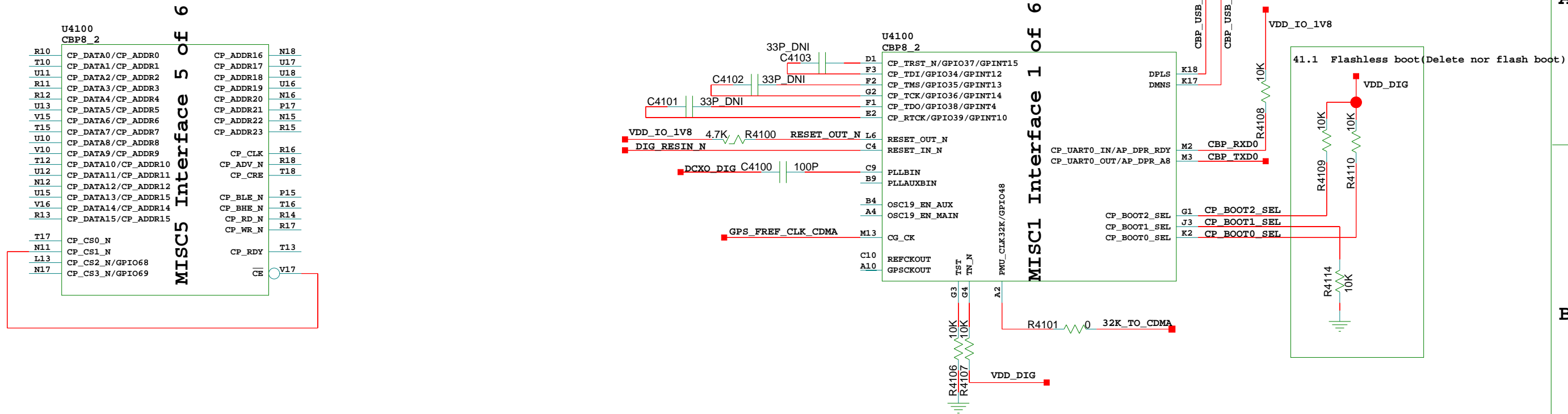
# 40. CDMA Modem



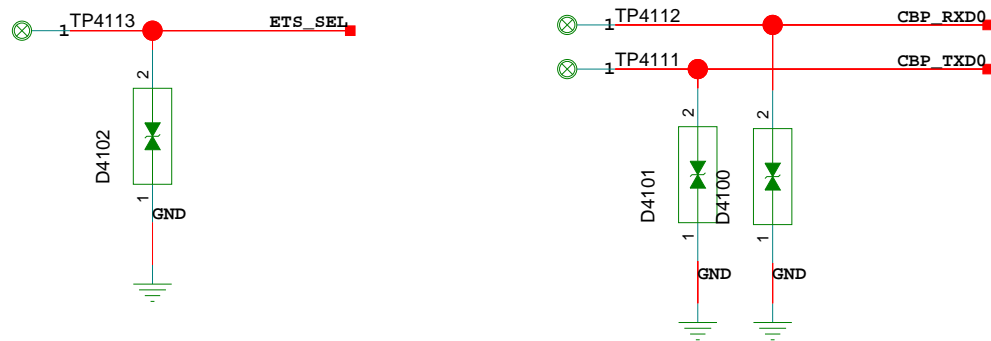
The type and specification of the components refer to the BOM

				NA	2013/10/8
				ECA NO	DATE
DESIGNED	Chenjiang 00189391	HL2CSOPHIAMP		03022PXF_SCHZH	
REVIEWED	CHAOKANGJIE 00132205	VER	PART_NUMBER	SHEET 60 OF 61	
		A	03022PXF	HUAWEI TECH CO.,LTD.	

# 41. CDMA Modem



boot2=1,boot1=0,boot0=1 from Asic-boot

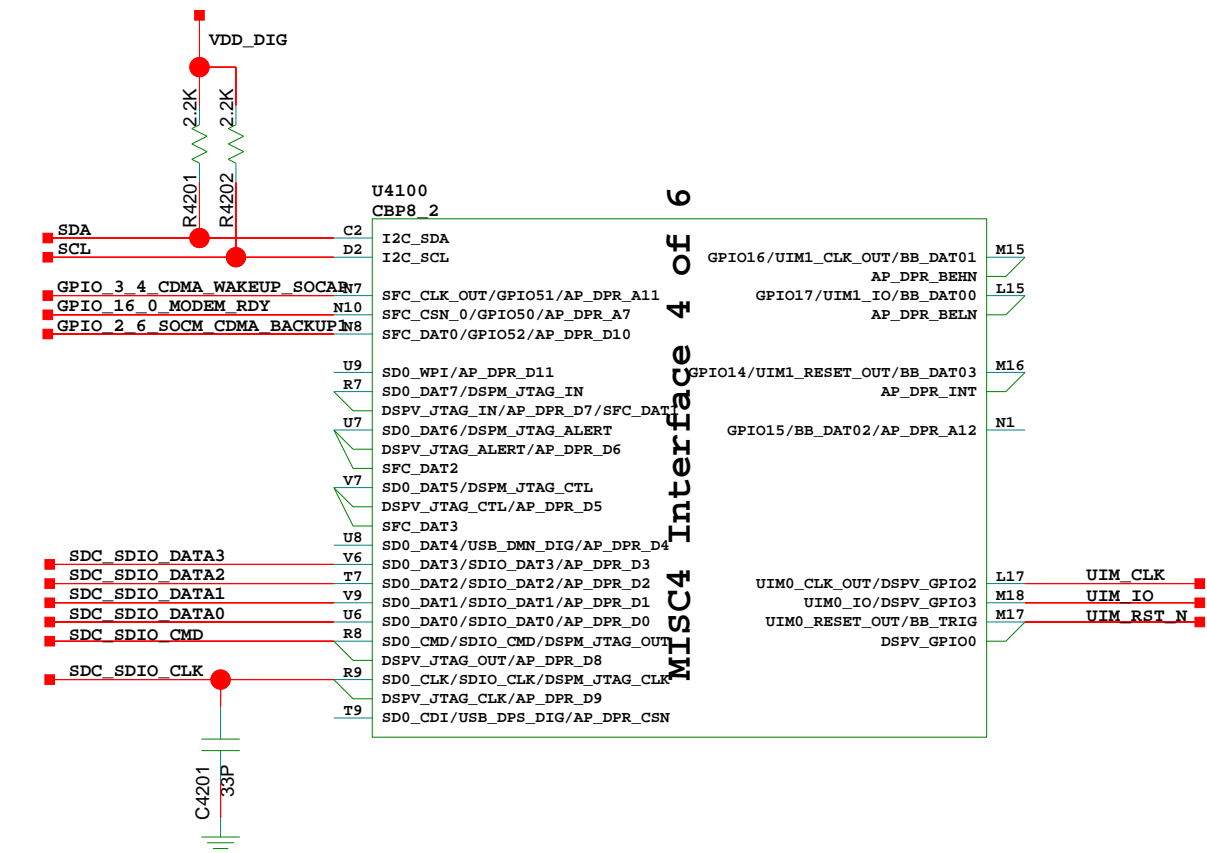
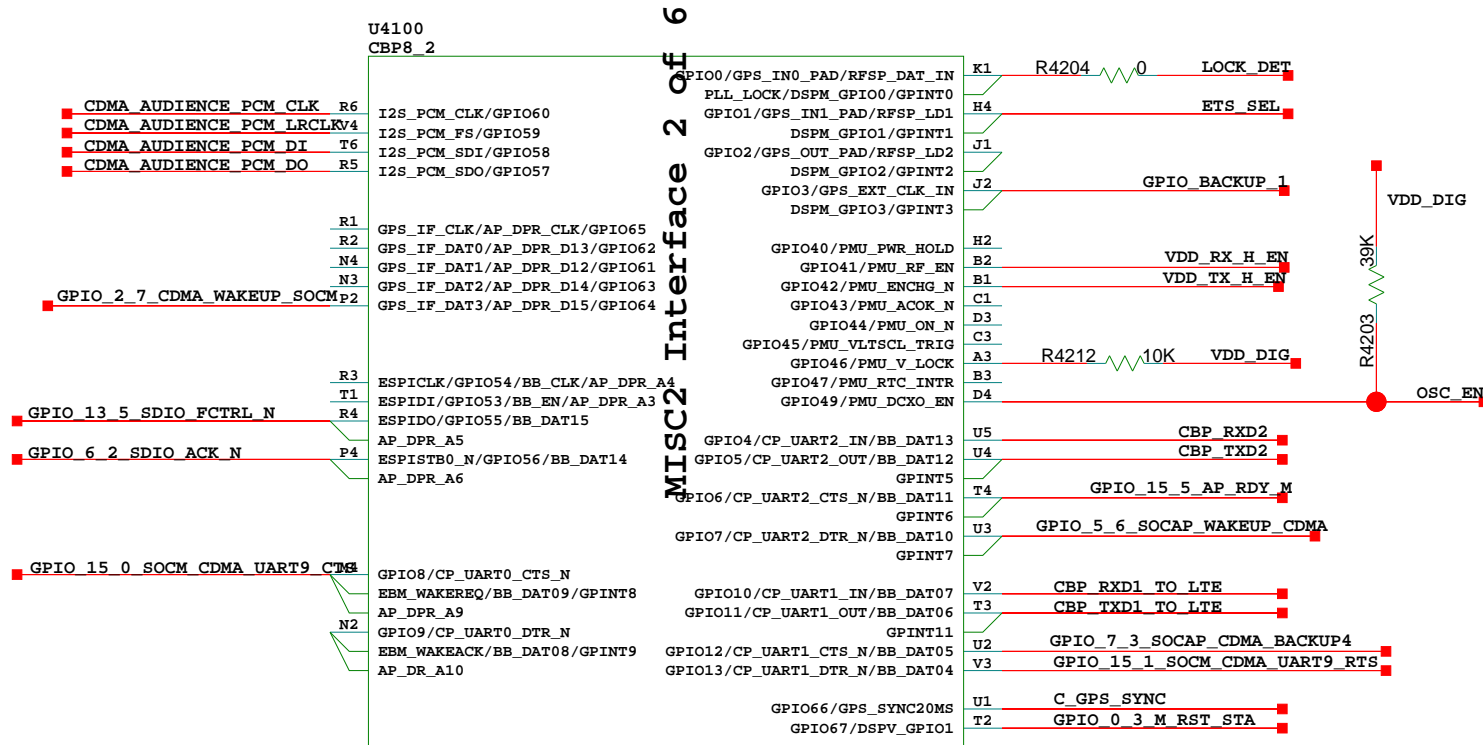


The type and specification of the components refer to the BOM

				NA	2013/10/8
				ECA NO	DATE
DESIGNED	Chenjiang 00189391	HL2CSOPHIAMP		03022PXF_SCHZH	
REVIEWED	CHAOKANGJIE 00132205				
		VER	PART_NUMBER	SHEET 60 OF 61	
		A	03022PXF	HUAWAI TECH CO.,LTD.	



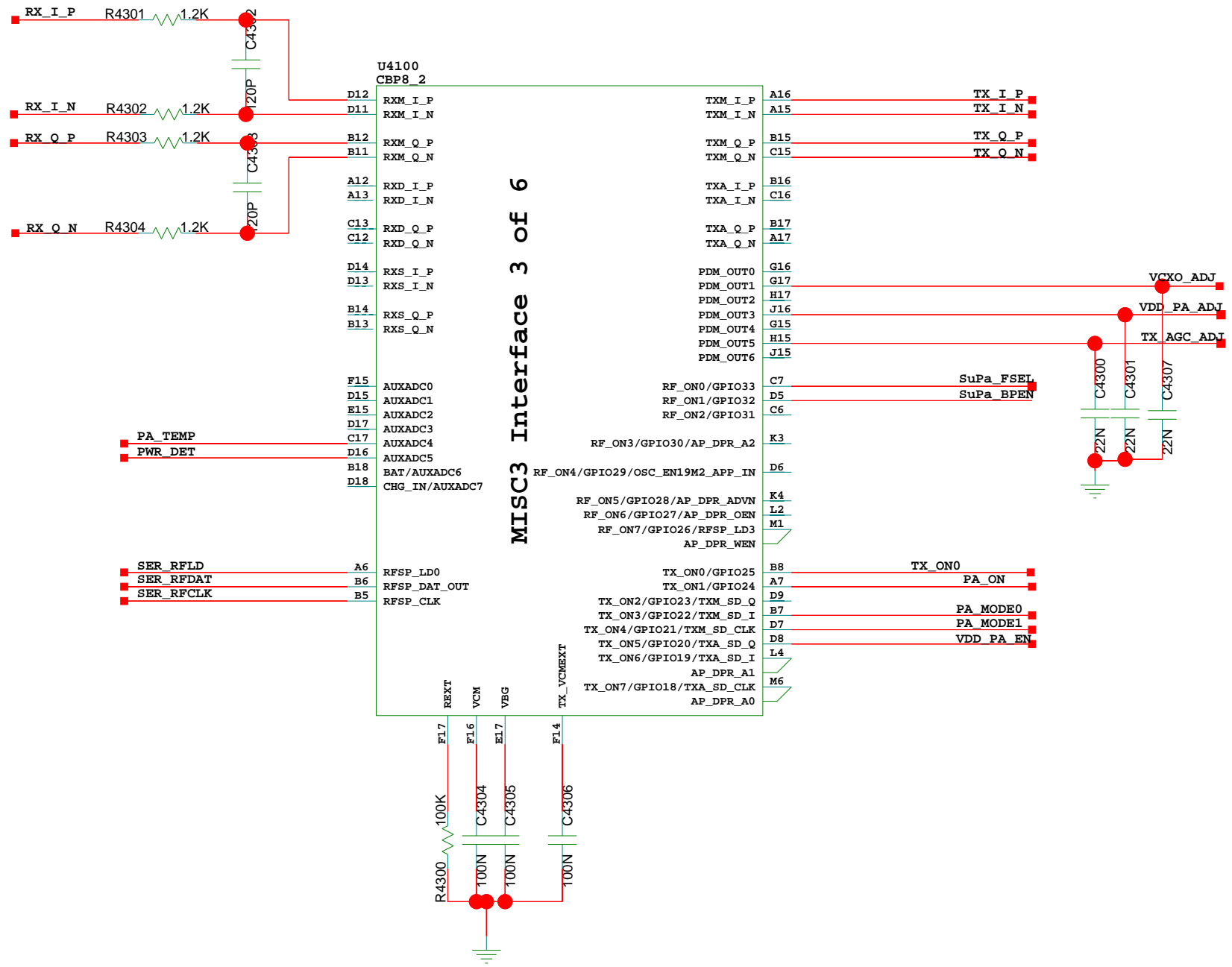
# 42. CDMA Modem



The type and specification of the components refer to the BOM

				NA	2013/10/8
				ECA NO	DATE
DESIGNED	Chenjiang 00189391	HL2CSOPHIAMP		03022PXF_SCHZH	
REVIEWED	CHAOKANGJIE 00132205				
		VER	PART_NUMBER	SHEET 60 OF 61	
		A	03022PXF	HUAWAI TECH CO.,LTD.	

# 43. CDMA Modem

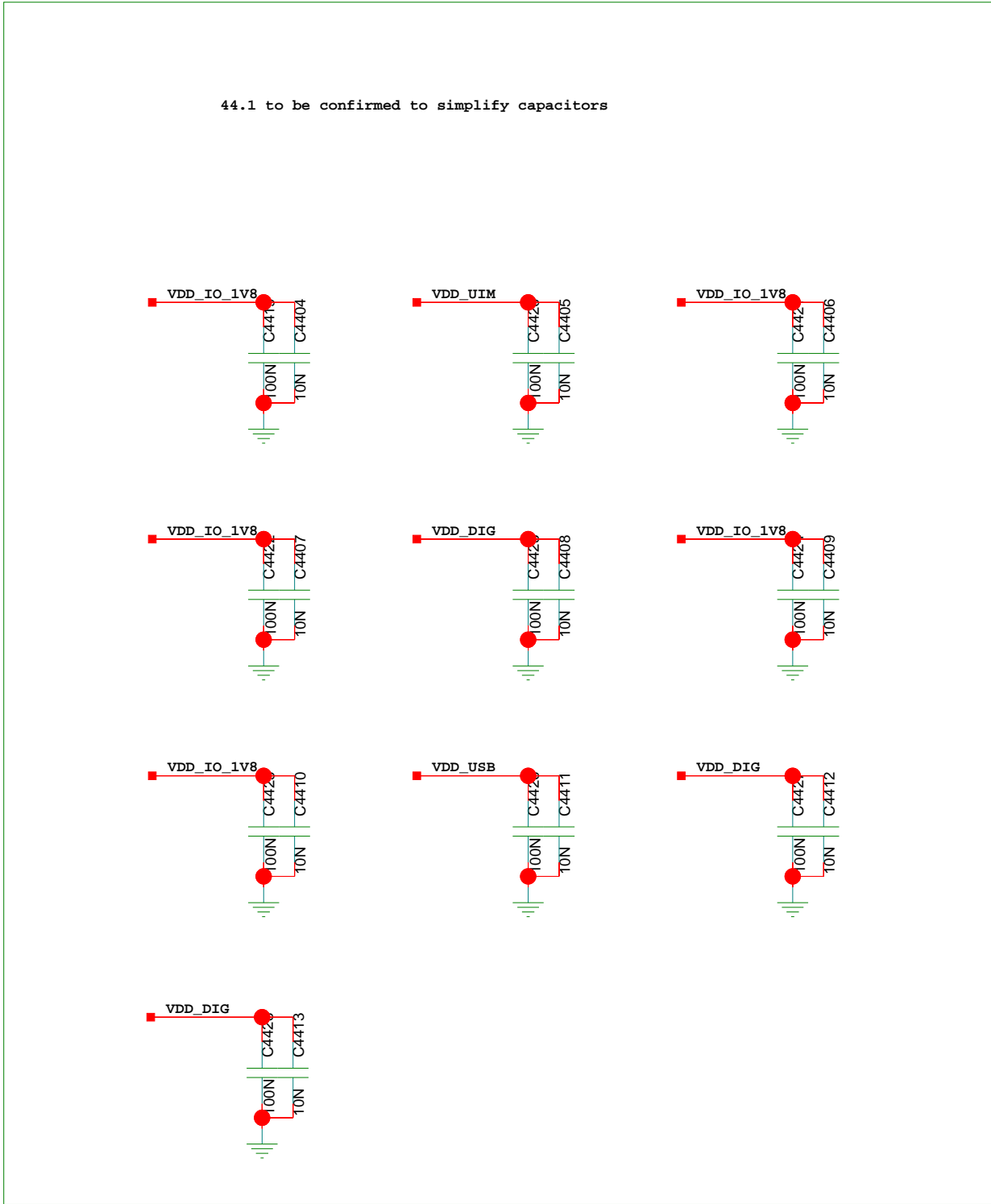
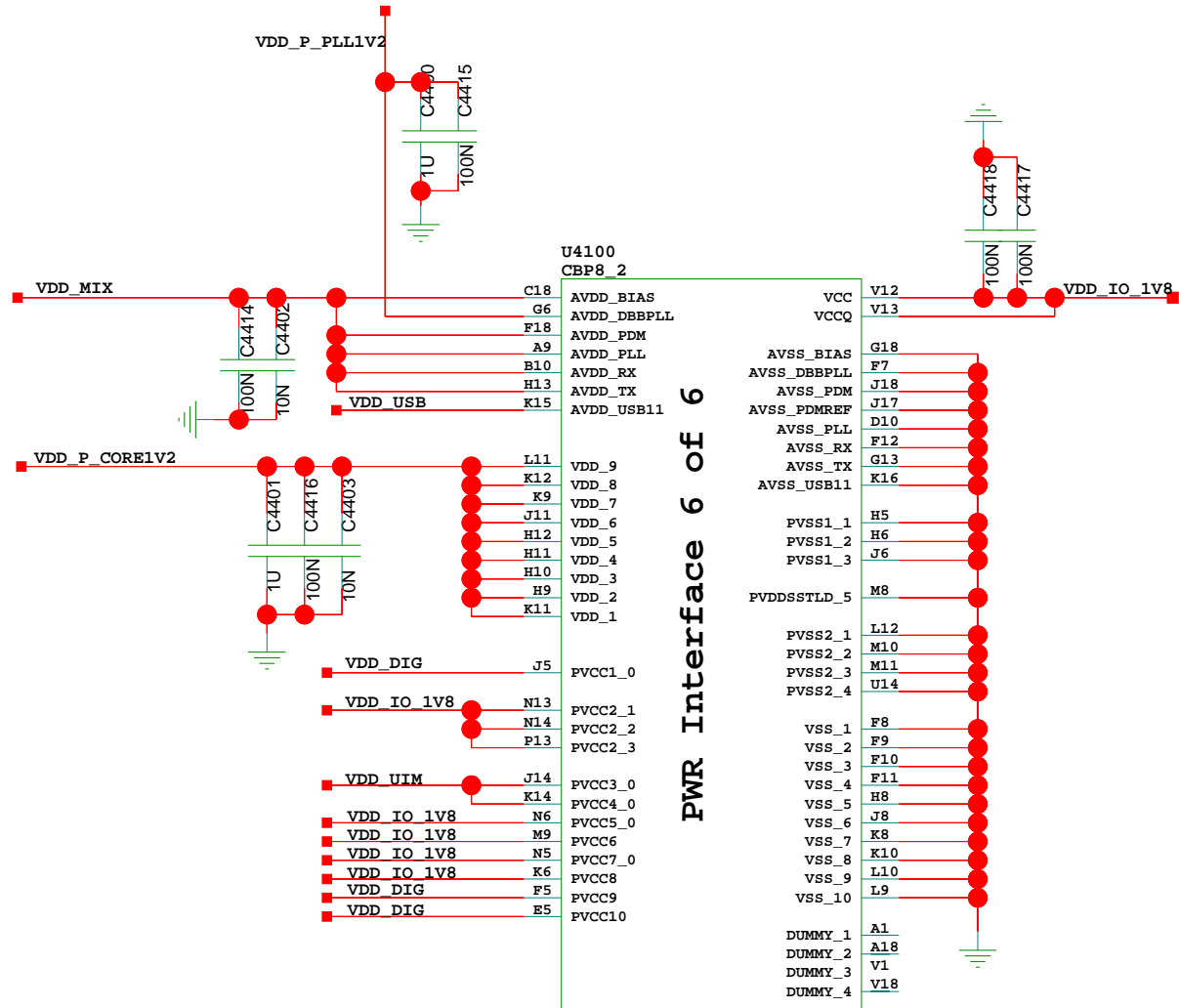


The type and specification of the components refer to the BOM

				NA	2013/10/8
				ECA NO	DATE
DESIGNED	Chenjiang 00189391	HL2CSOPHIAMP		03022PXF_SCHZH	
REVIEWED	CHAOKANGJIE 00132205				
		VER	PART_NUMBER	SHEET 60 OF 61	
		A	03022PXF	HUAWEI TECH CO.,LTD.	



# 44.CDMA Modem



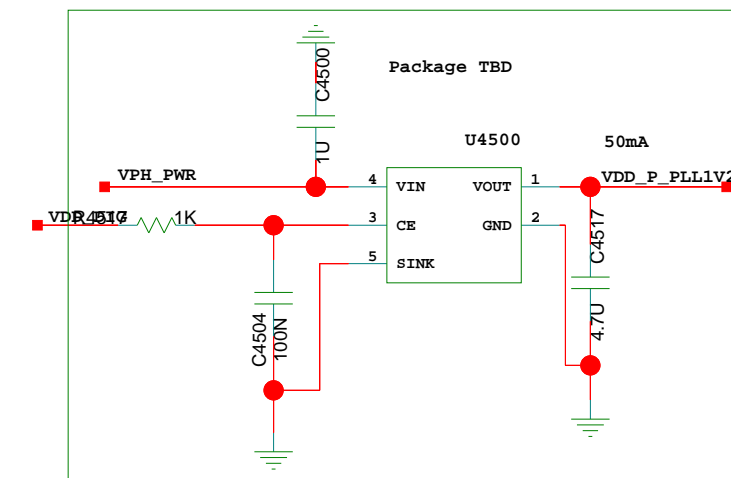
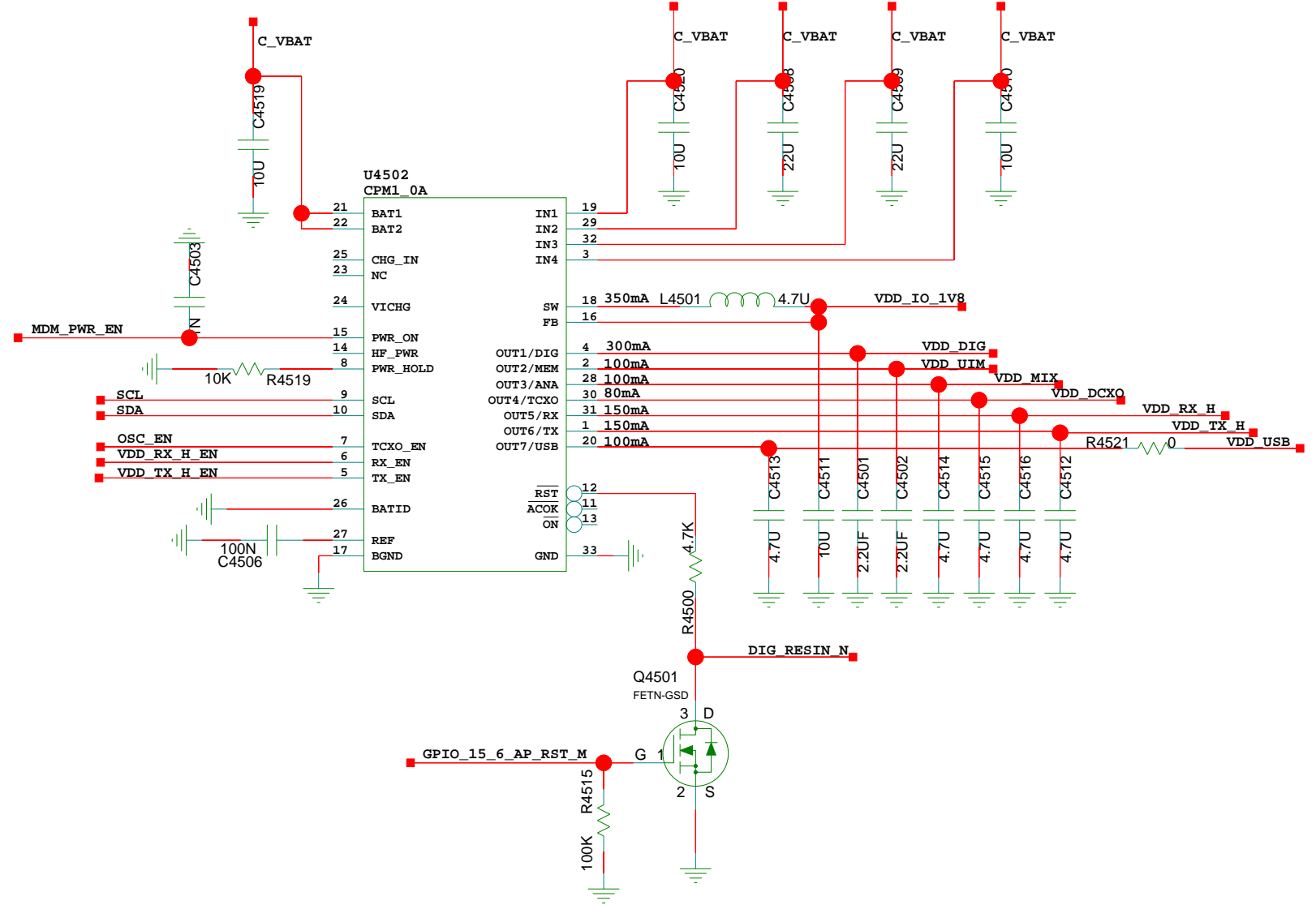
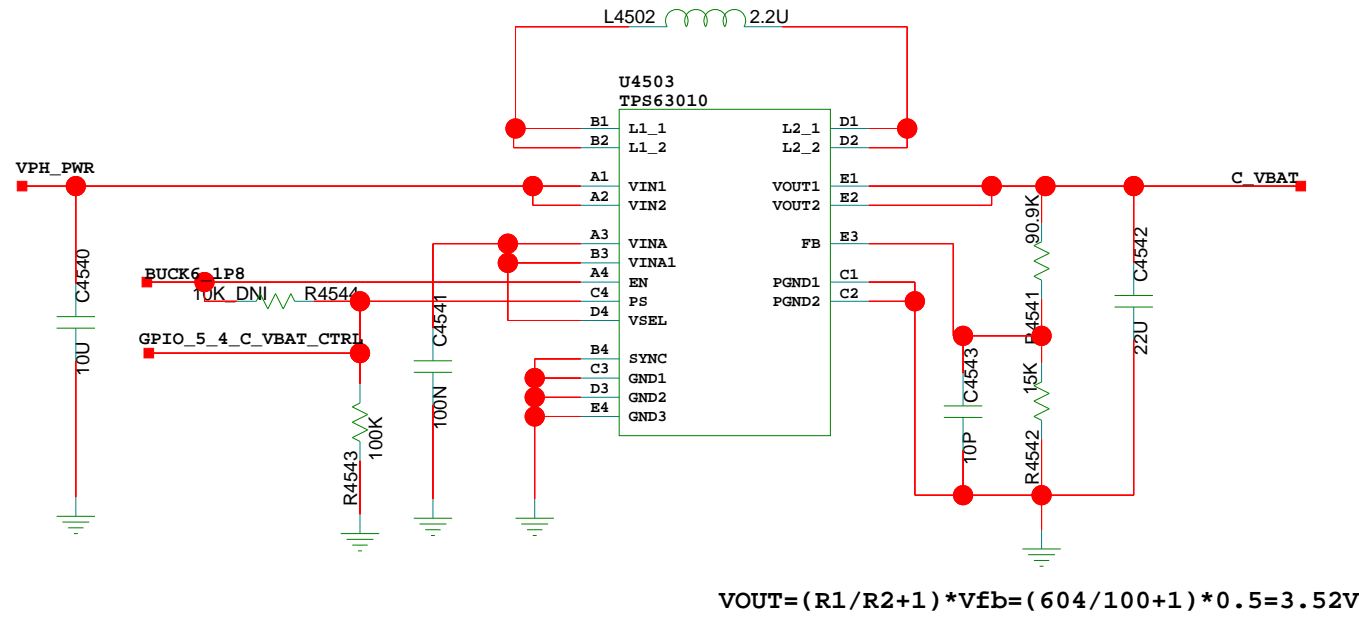
The type and specification of the components refer to the BOM

				NA	2013/10/8
				ECA NO	DATE
DESIGNED	Chenjiang 00189391	HL2CSOPHIAMP		03022PXF_SCHZH	
REVIEWED	CHAOKANGJIE 00132205				
		VER	PART_NUMBER	SHEET 60 OF 61	
		A	03022PXF	HUAWAI TECH CO.,LTD.	

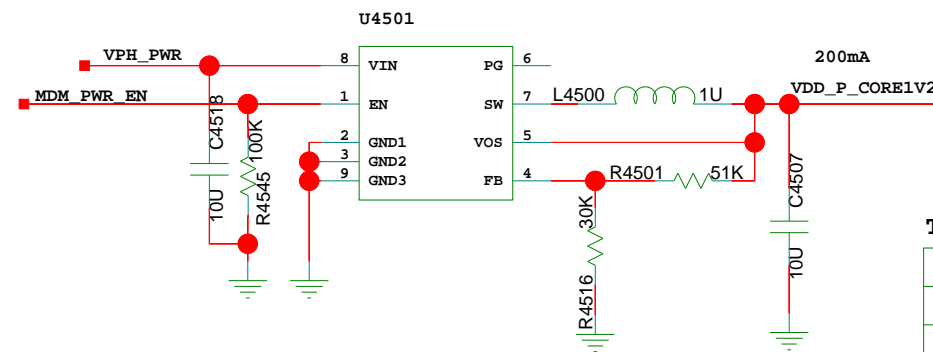


# 45.CDMA Modem

For support 4.35v high voltage battery



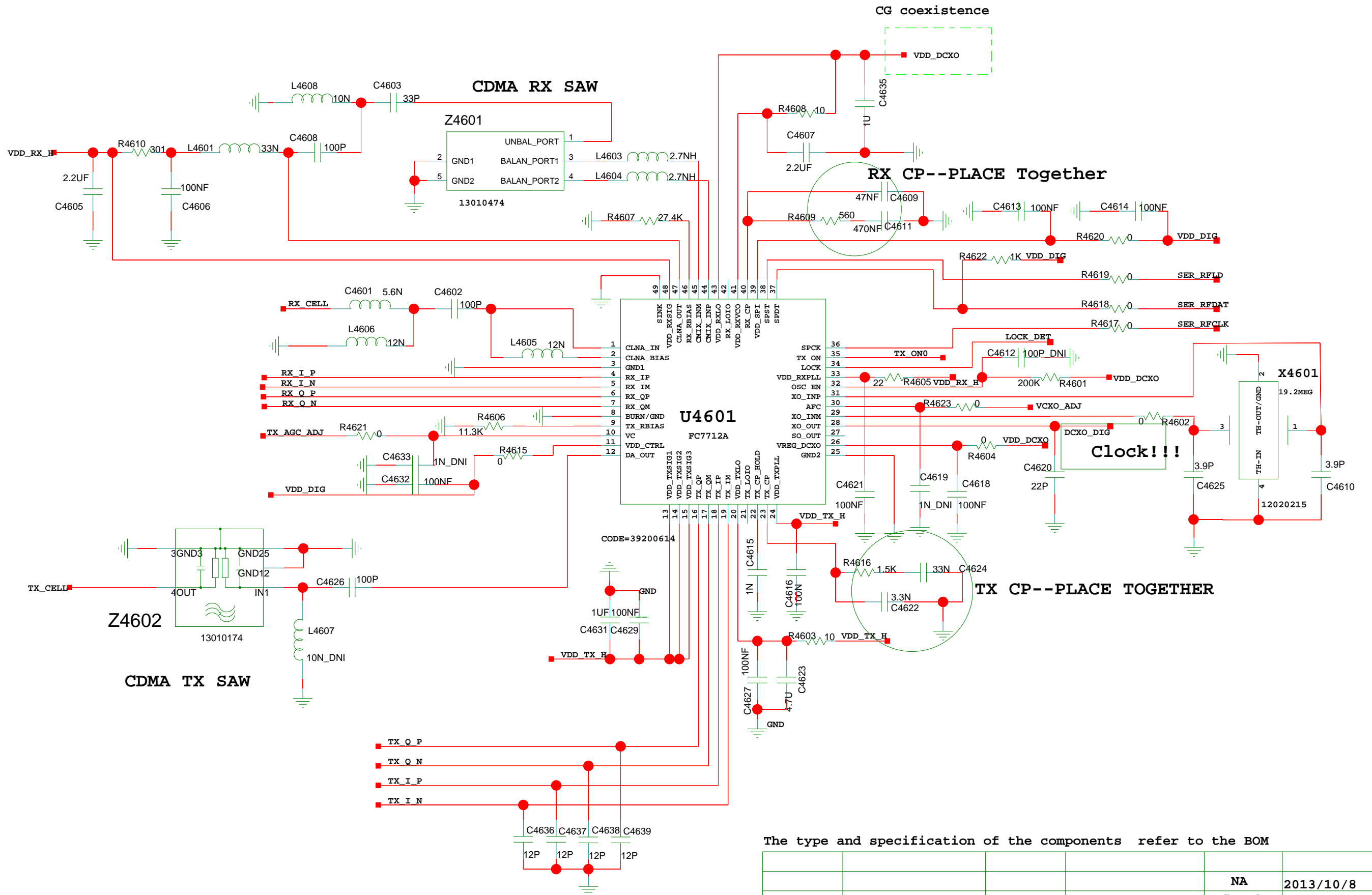
$V_{OUT} = 0.45 * (1 + 51k/30k) = 1.215V$



The type and specification of the components refer to the BOM

			NA	2013/10/8
			ECA NO	DATE
DESIGNED	Chenjiang 00189391	HL2CSOPHIAMP		03022PXF_SCHZH
REVIEWED	CHAOKANGJIE 00132205	VER	PART_NUMBER	SHEET 60 OF 61
		A	03022PXF	HUAWEI TECH CO.,LTD.

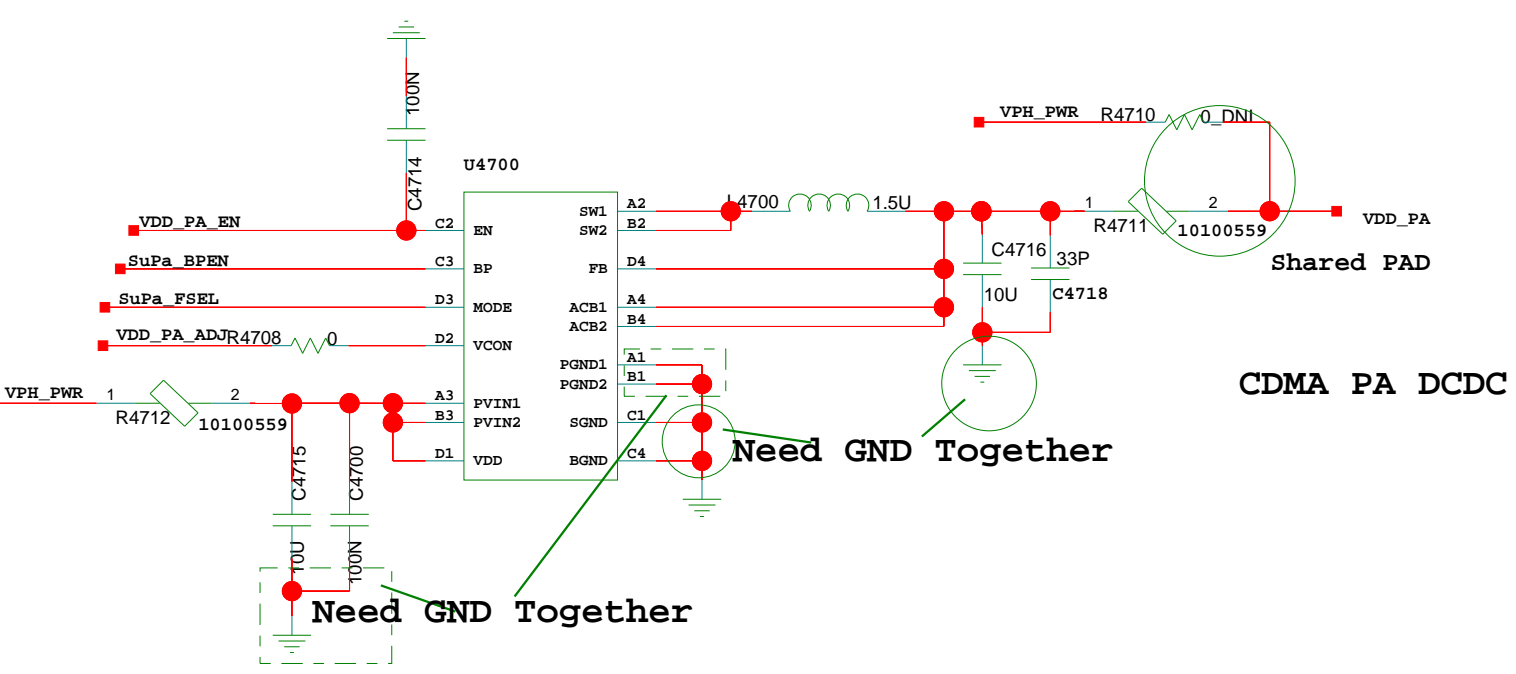
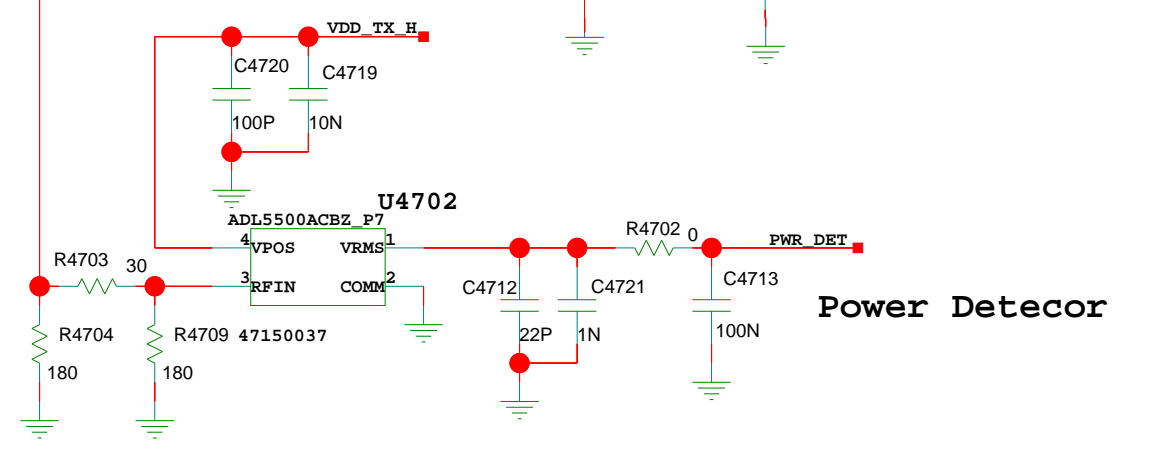
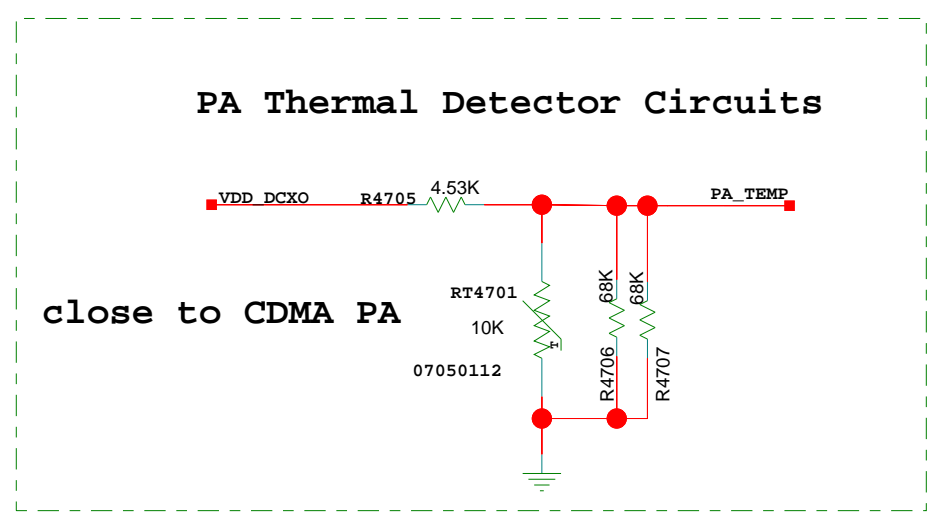
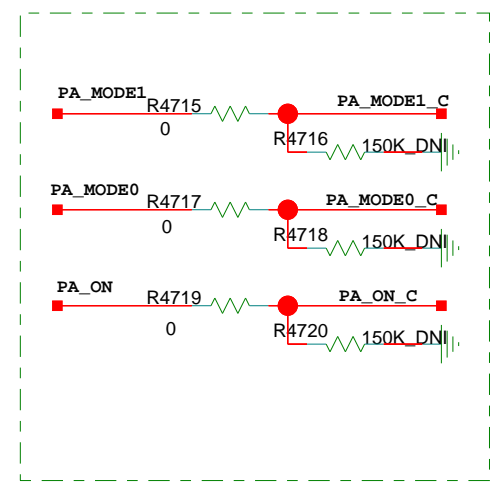
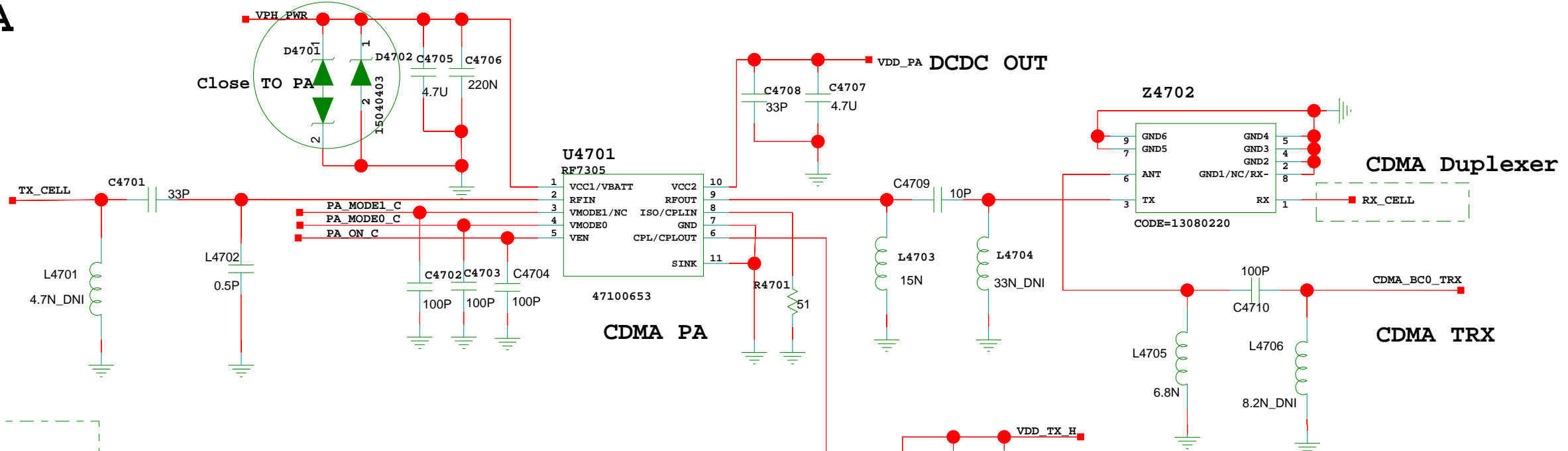
# 46.CDMA RFIC



The type and specification of the components refer to the BOM

				NA	2013/10/8
				ECA NO	DATE
DESIGNED	Chenjiang 00189391	HL2CSOPHIAMP		03022PXF_SCHZH	
REVIEWED	CHAOKANGJIE 00132205	VER	PART_NUMBER	SHEET 46 OF 61	
		A	03022PXF	HUAWEI TECH CO.,LTD.	

# 47.TX/PA



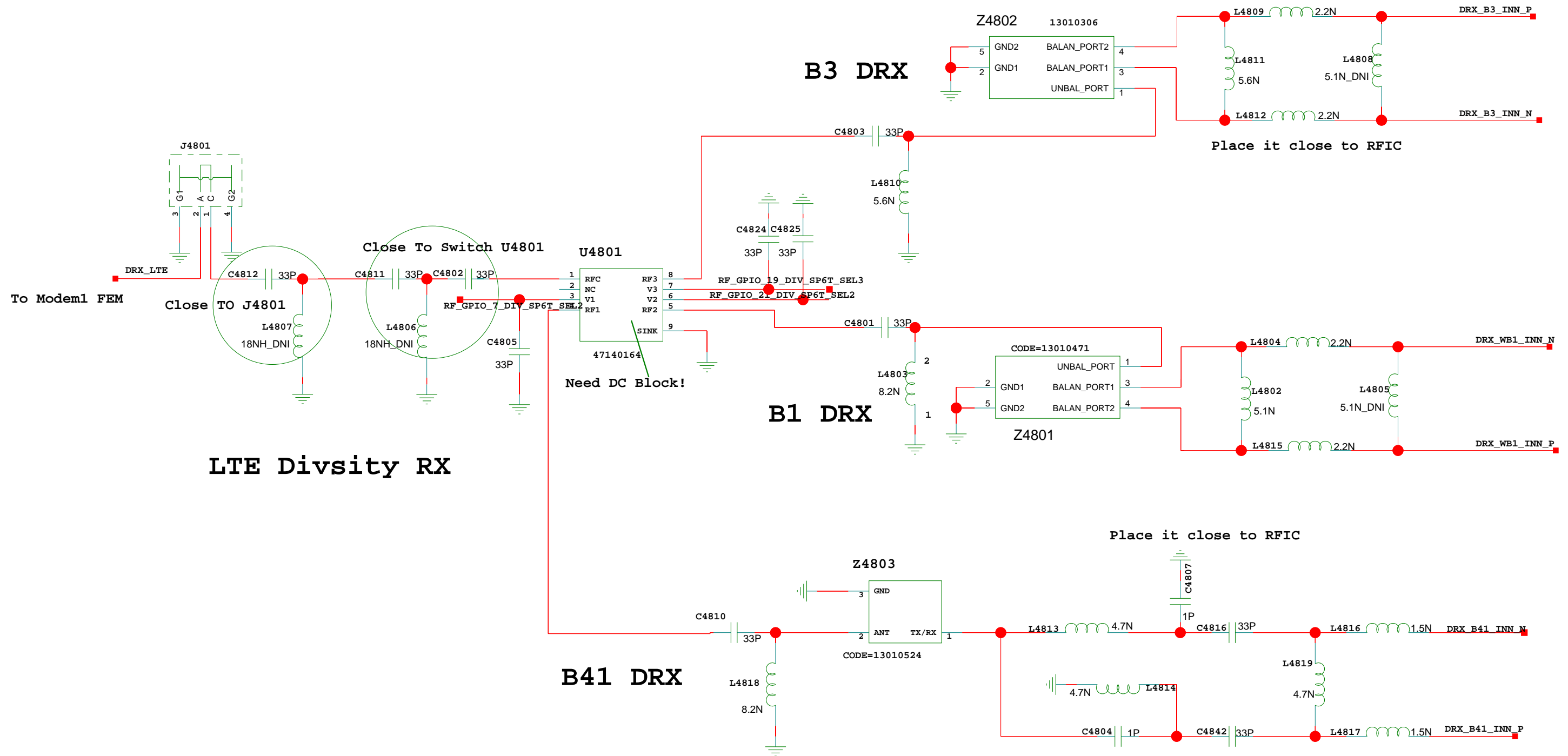
	Ven	Vmode0	Vmode1
	PA_ON0	PA_Range	
Shut Down Mode	Low	Low	Low
Low Power State	High	High	High
MID Power State	High	High	Low
High Power State	High	Low	Low

The type and specification of the components refer to the BOM

DESIGNED	Chenjiang 00189391	HL2CSOPHIAMP	03022PXF_SCHZH
REVIEWED	CHAOKANGJIE 00132205		
		VER	PART_NUMBER
		A	03022PXF
			SHEET 47 OF 61
			HUAWEI TECH CO.,LTD.



# 48.Diversity AMT /SW/SAW



LTE Divsity RX

The type and specification of the components refer to the BOM

				NA	2013/10/8
				ECA NO	DATE
DESIGNED	Chenjiang 00189391	HL2CSOPHIAMP		03022PXF_SCHZH	
REVIEWED	CHAOKANGJIE 00132205	VER	PART_NUMBER	SHEET 48 OF 61	
		A	03022PXF	HUAWEI TECH CO.,LTD.	

49.DIV ANT&SWITCH

A

A

B

B

C

C

D

D

The type and specification of the components refer to the BOM

				NA	2013/10/8
				ECA NO	DATE
DESIGNED	Chenjiang 00189391	HL2CSOPHIAMP		03022PXF_SCHZH	
REVIEWED	CHAOKANGJIE 00132205	VER	PART_NUMBER	SHEET 49 OF 61	
		A	03022PXF	HUAWEI TECH CO.,LTD.	



Reserved

The type and specification of the components refer to the BOM

				NA	2013/10/8
				ECA NO	DATE
DESIGNED	Chenjiang 00189391	HL2CSOPHIAMP		03022PXF_SCHZH	
REVIEWED	CHAOKANGJIE 00132205	VER	PART_NUMBER	SHEET 50 OF 61	
		A	03022PXF	HUAWEI TECH CO.,LTD.	



51.

1 2 3 4 5 6

A

A

B

B

C

C

D

D

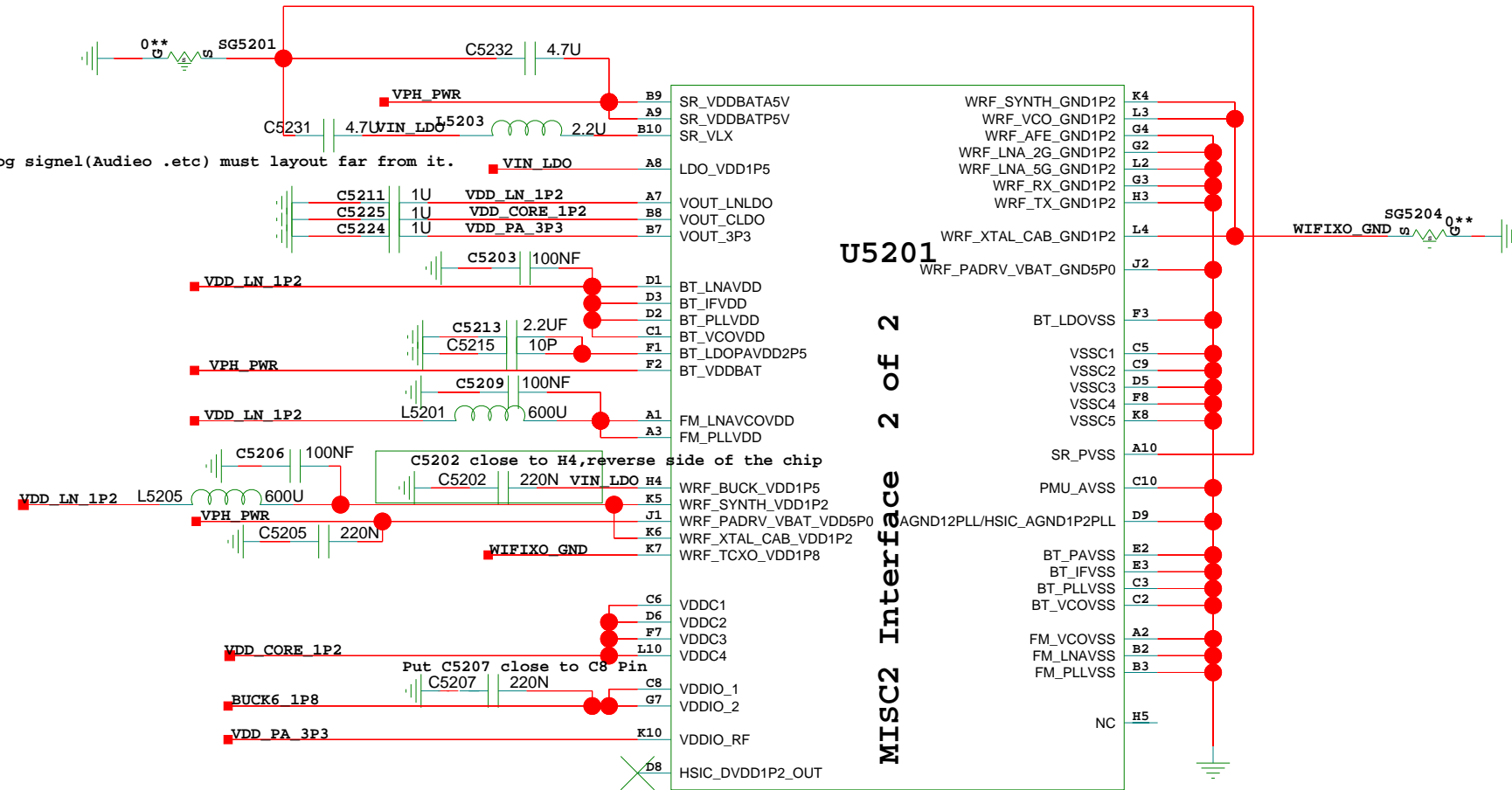
The type and specification of the components refer to the BOM

				NA	2013/10/8
				ECA NO	DATE
DESIGNED	Chenjiang 00189391	HL2CSOPHIAMP		03022PXF_SCHZH	
REVIEWED	CHAOKANGJIE 00132205	VER	PART_NUMBER	SHEET 51 OF 61	
		A	03022PXF	HUAWEI TECH CO.,LTD.	



1 2 3 4 5 6

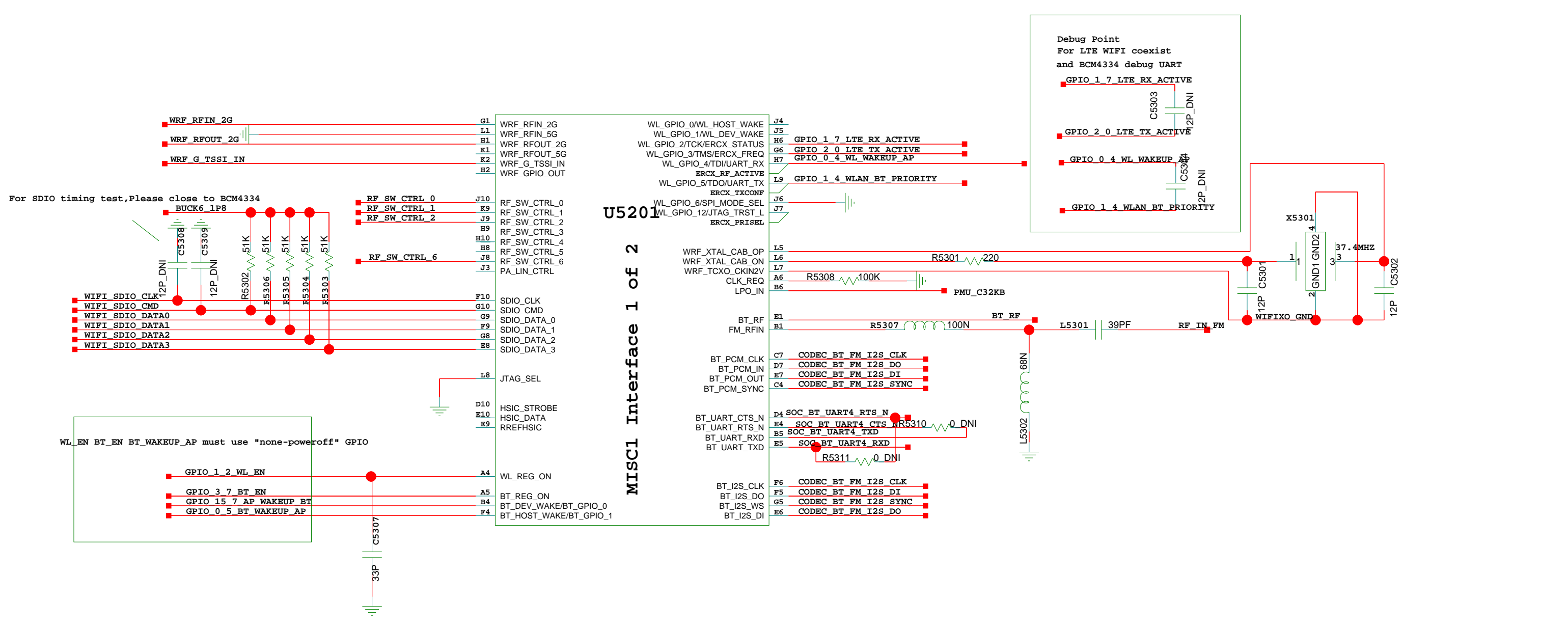
# 52.BT/WLAN/FM



The type and specification of the components refer to the BOM

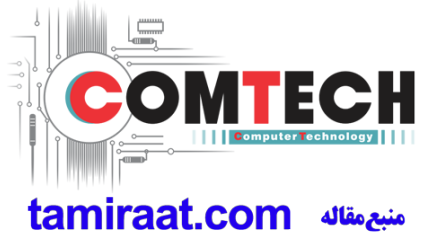
				NA	2013/10/8
				ECA NO	DATE
DESIGNED	Chenjiang 00189391	HL2CSOPHIAMP		03022PXF_SCHZH	
REVIEWED	CHAOKANGJIE 00132205	VER	PART_NUMBER	SHEET 52 OF 61	
		A	03022PXF	HUAWEI TECH CO.,LTD.	

# 53. BT/WLAN/FM

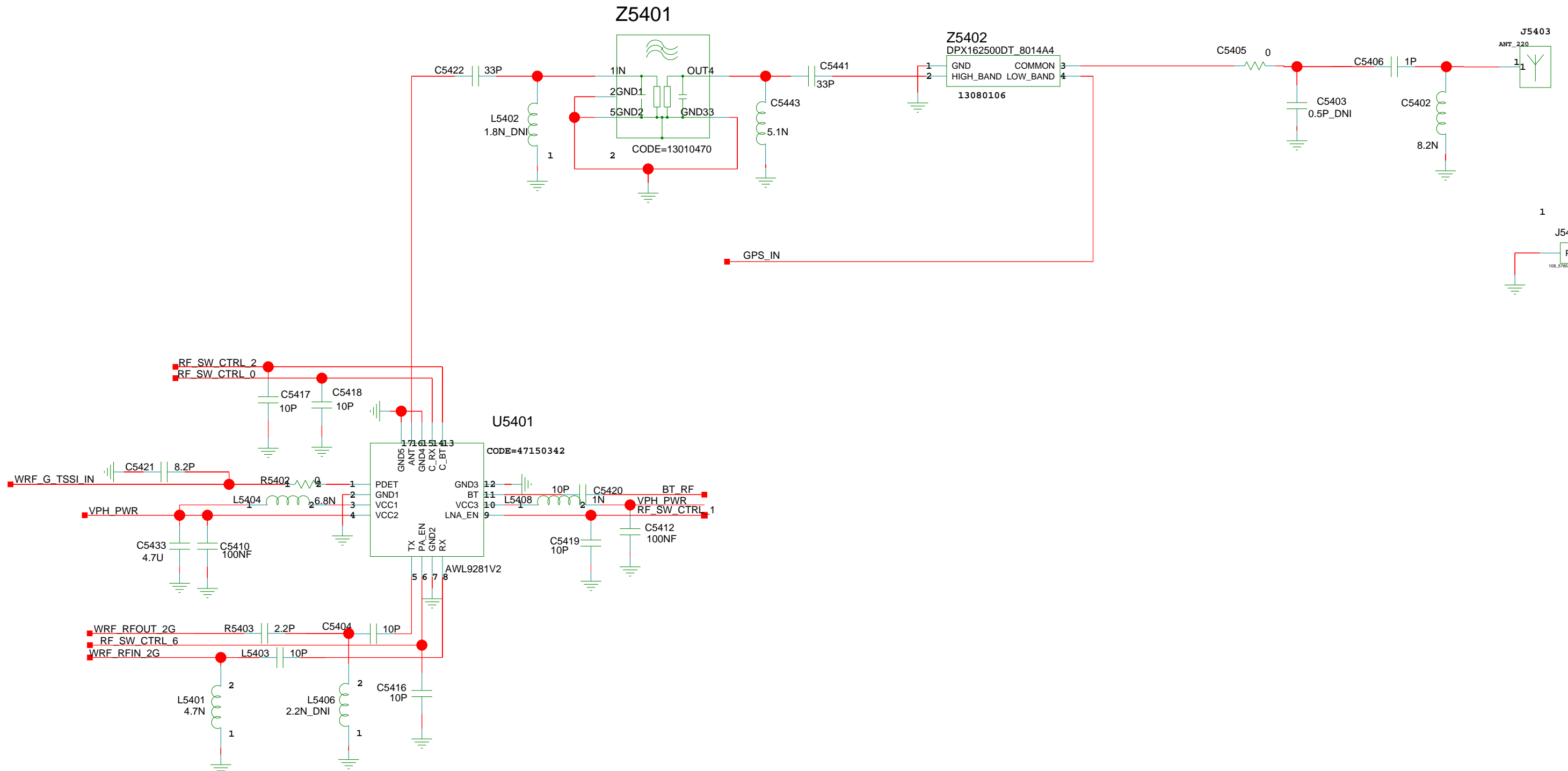


The type and specification of the components refer to the BOM

DESIGNED	Chenjiang 00189391	HL2CSOPHIAMP	03022PXF_SCHZH
REVIEWED	CHAOKANGJIE 00132205		
		VER	PART_NUMBER
		A	03022PXF
			SHEET 53 OF 61
			HUAWEI TECH CO.,LTD.



# 54.WIFI\_RF\_FrontEnd\_2.4GHz



The type and specification of the components refer to the BOM

				NA	2013/10/8
				ECA NO	DATE
DESIGNED	Chenjiang 00189391	HL2CSOPHIAMP		03022PXF_SCHZH	
REVIEWED	CHAOKANGJIE 00132205				
		VER	PART_NUMBER	SHEET 54 OF 61	
		A	03022PXF	HUAWEI TECH CO.,LTD.	





# 55.WLAN & BT & FM interface

A

B

C

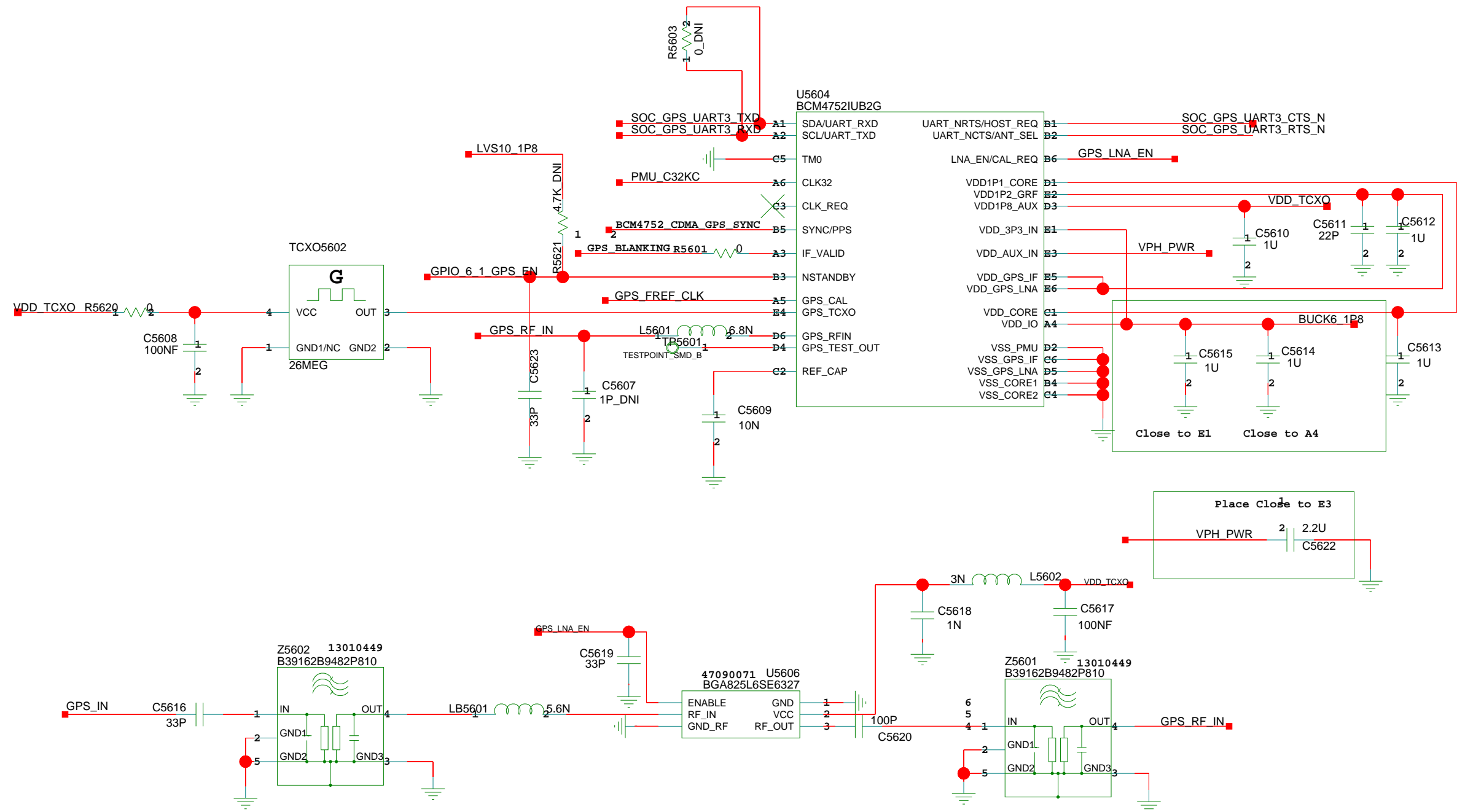
D

The type and specification of the components refer to the BOM

				NA	2013/10/8
				ECA NO	DATE
DESIGNED	Chenjiang 00189391	HL2CSOPHIAMP		03022PXF_SCHZH	
REVIEWED	CHAOKANGJIE 00132205	VER	PART_NUMBER	SHEET 55 OF 61	
		A	03022PXF	HUAWEI TECH CO.,LTD.	



# 56.BCM4752



The type and specification of the components refer to the BOM

				NA	2013/09/06
				ECA NO	DATE
DESIGNED	Chenjiang 00189391	HL2CSOPHIAMP		03022PXF_SCHZH	
REVIEWED	CHAOKANGJIE 00132205				
		VER	PART_NUMBER	SHEET 56 OF 61	
		A	03022PXF	HUAWEI TECH CO.,LTD.	

# 57.NFC

A

B

C

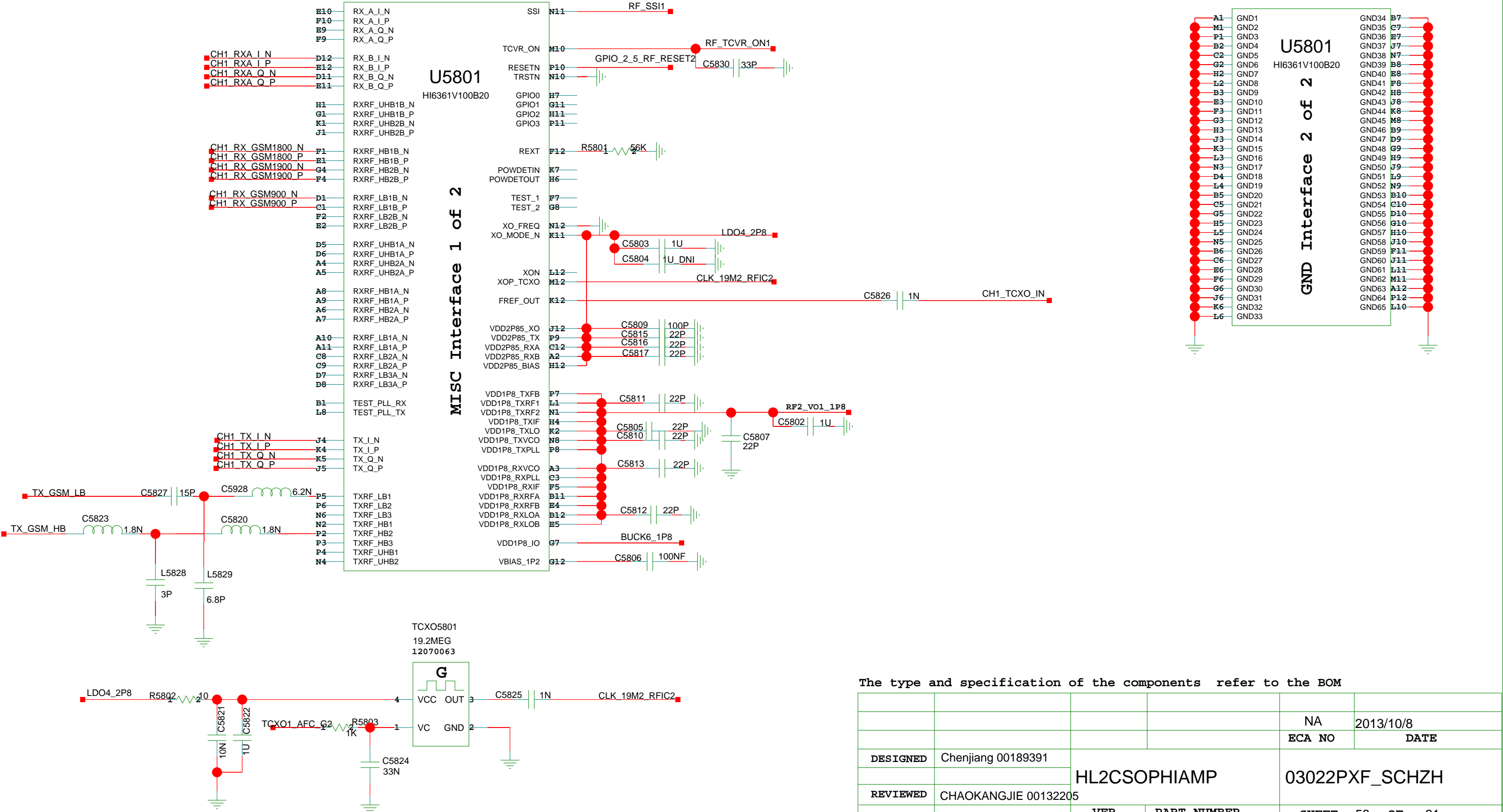
D

The type and specification of the components refer to the BOM

				NA	2013/10/8
				ECA NO	DATE
DESIGNED	Chenjiang 00189391	HL2CSOPHIAMP		03022PXF_SCHZH	
REVIEWED	CHAOKANGJIE 00132205				
		VER	PART_NUMBER	SHEET 57 OF 61	
		A	03022PXF	HUAWEI TECH CO.,LTD.	



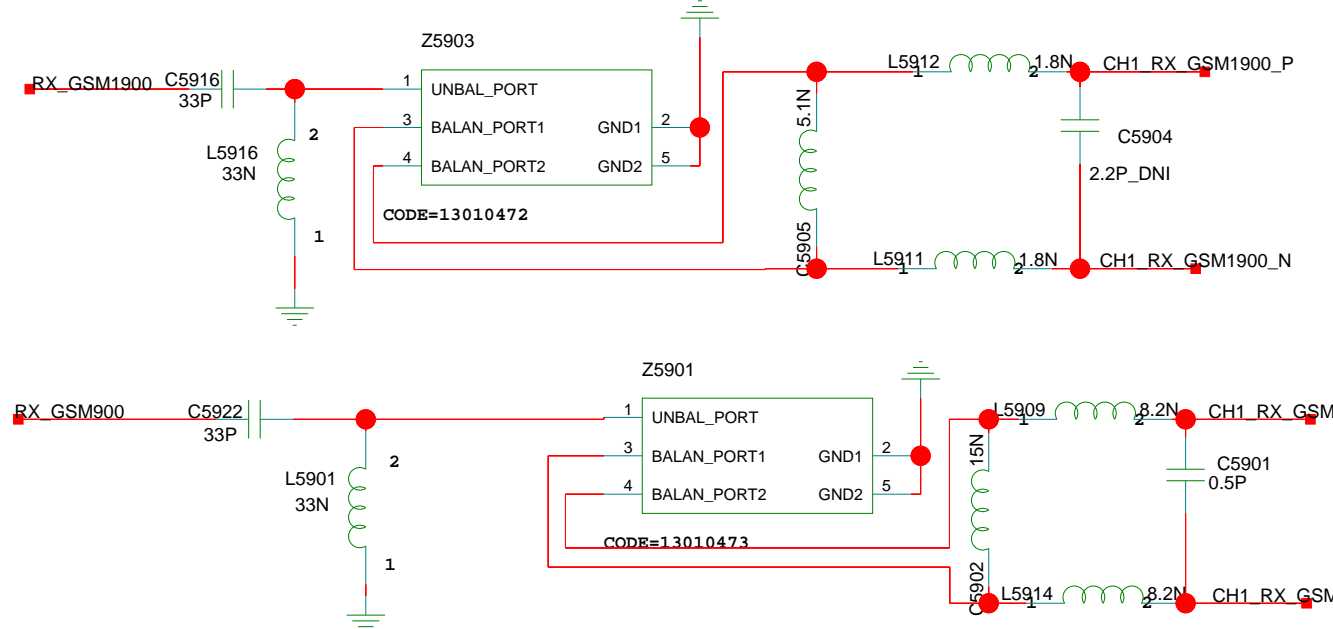
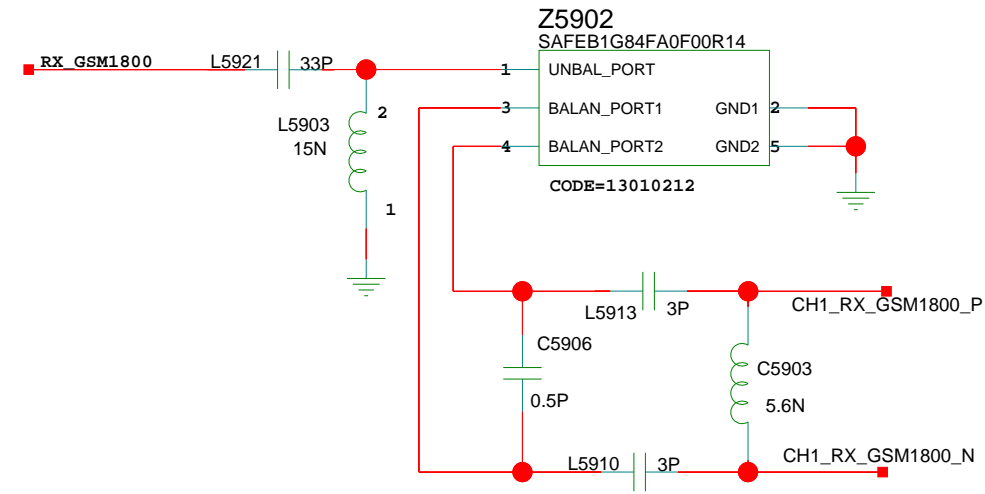
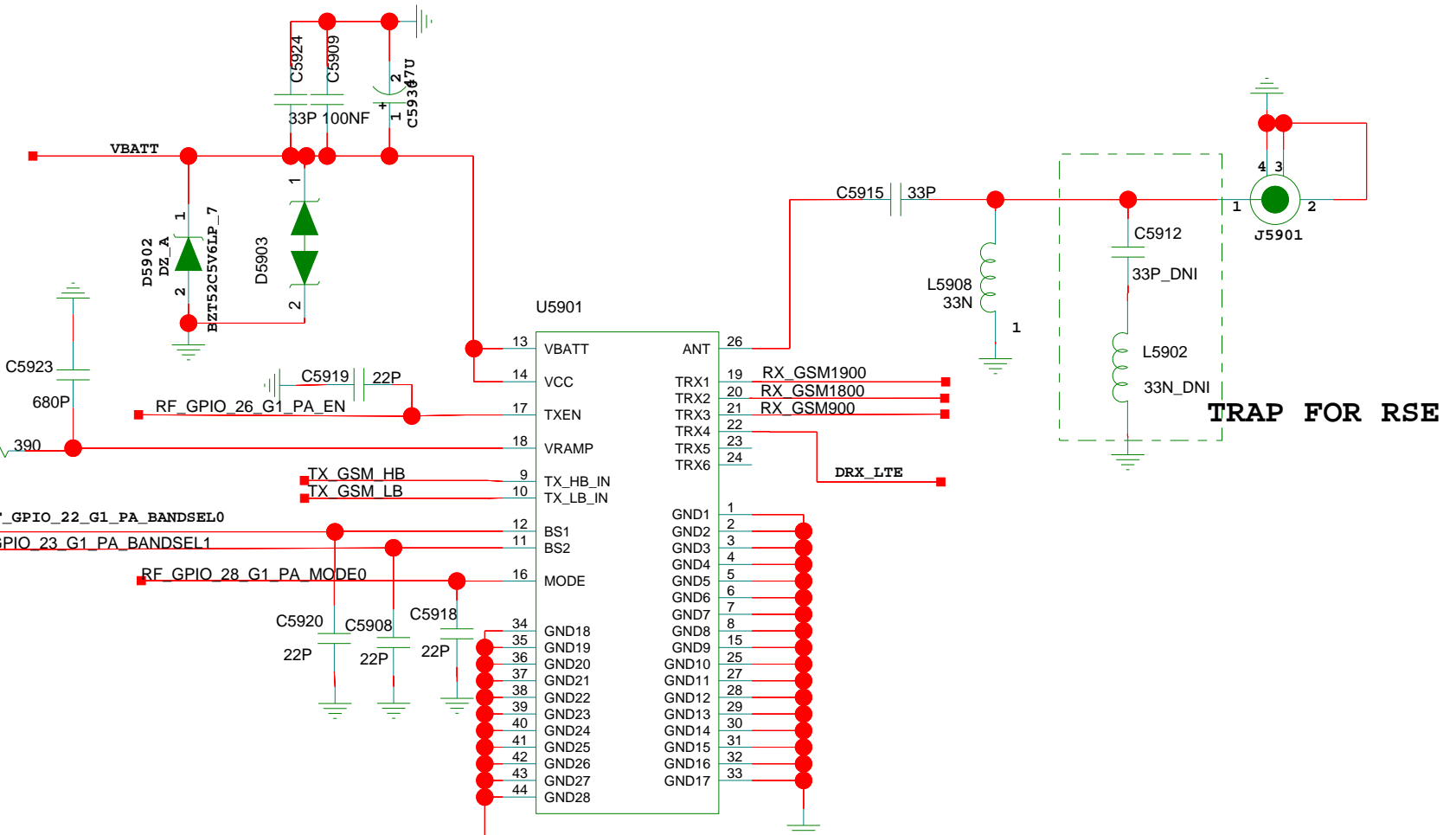
# 58.SIM2 RF Transceiver



The type and specification of the components refer to the BOM

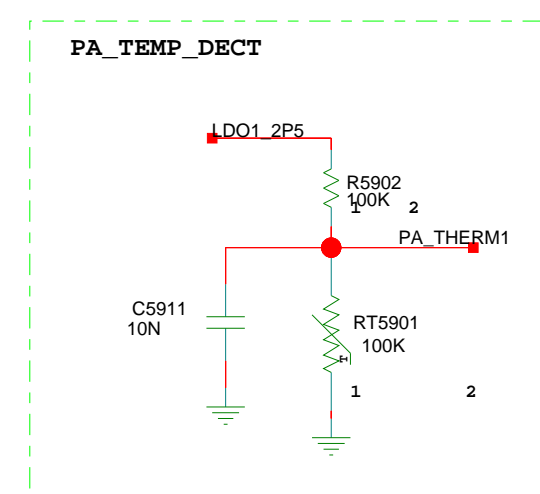
				NA	2013/10/8
				ECA NO	DATE
DESIGNED	Chenjiang 00189391	HL2CSOPHIAMP		03022PXF_SCHZH	
REVIEWED	CHAOKANGJIE 00132205				
		VER	PART_NUMBER	SHEET 58 OF 61	
		A	03022PXF	HUAWAI TECH CO.,LTD.	

# 59.SIM 2 GSM TriBand



Sky77590 Tx Module Truth Table

mode	Tx_EN	Mode	BS1	BS2
	GPIO26	GPIO28	GPIO27	GPIO24
StandBy	0	0	0	0
LB_GMSK_Tx	1	0	0	1
LB_GMSK_Tx_ISO	1	0	0	0
HB_GMSK_Tx	1	0	1	1
HB_GMSK_Tx_ISO	1	0	1	0
LB_EDGE_Tx	1	1	0	1
LB_EDGE_Tx_ISO	1	1	0	0
HB_EDGE_Tx	1	1	1	1
HB_EDGE_Tx_ISO	1	1	1	0
X	TRx1	0	1	0
X	TRx2	0	1	1
G1900_Rx	TRx3	0	1	0
G1800_Rx	TRx4	0	1	1
G900_Rx	TRx5	0	0	1
X	TRx6	0	0	1



The type and specification of the components refer to the BOM

DESIGNED	Chenjiang 00189391	HL2CSOPHIAMP	03022PXF_SCHZH
REVIEWED	CHAOKANGJIE 00132205		
		VER	PART_NUMBER
		A	03022PXF
			SHEET 59 OF 61
			HUAWEI TECH CO.,LTD.

## 60.RF PMU2

A

A

B

B

C

C

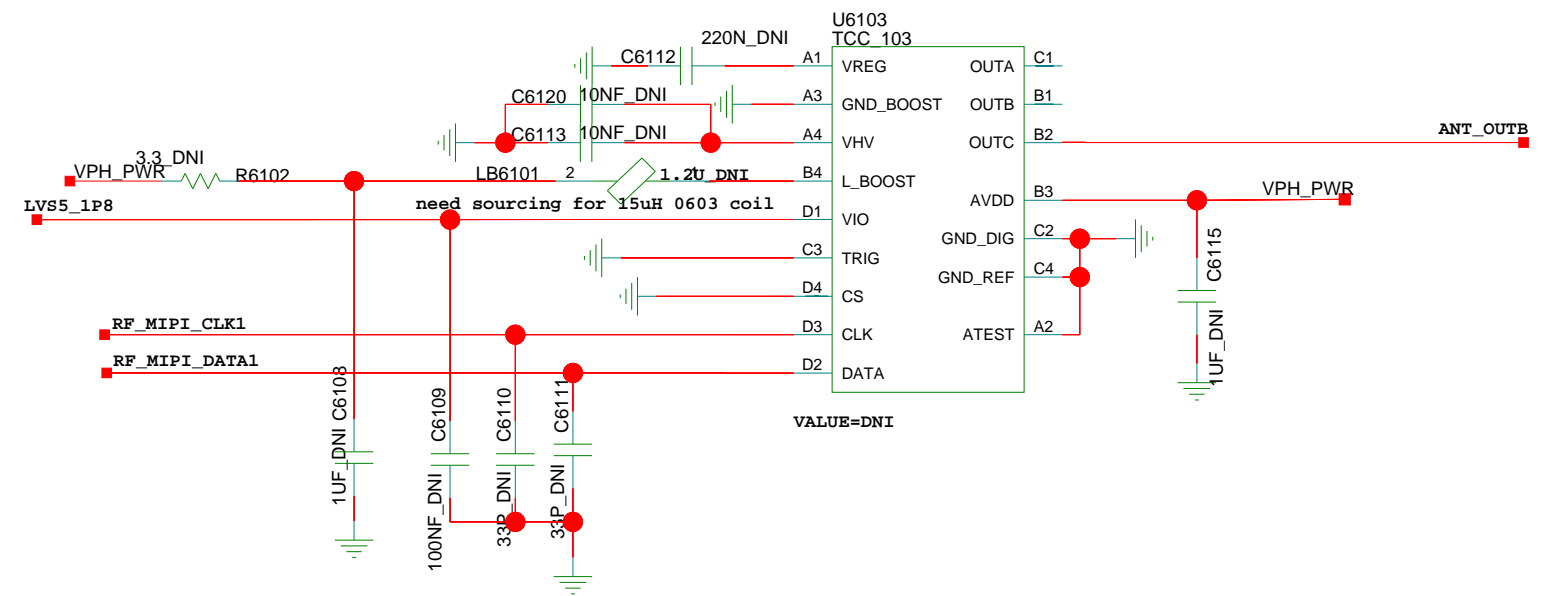
D

D

The type and specification of the components refer to the BOM

				NA	2013/10/8
				ECA NO	DATE
DESIGNED	Chenjiang 00189391	HL2CSOPHIAMP		03022PXF_SCHZH	
REVIEWED	CHAOKANGJIE 00132205				
		VER	PART_NUMBER	SHEET 60 OF 61	
		A	03022PXF	HUAWEI TECH CO.,LTD.	

# 61. RF Front End Switch /Main ANT



The type and specification of the components refer to the BOM

				NA	2013/10/8
				ECA NO	DATE
DESIGNED	Chenjiang 00189391	HL2CSOPHIAMP		03022PXF_SCHZH	
REVIEWED	CHAOKANGJIE 00132205				
		VER	PART_NUMBER	SHEET 61 OF 61	
		A	03022PXF	HUAWAI TECH CO.,LTD.	

