

FE170CG

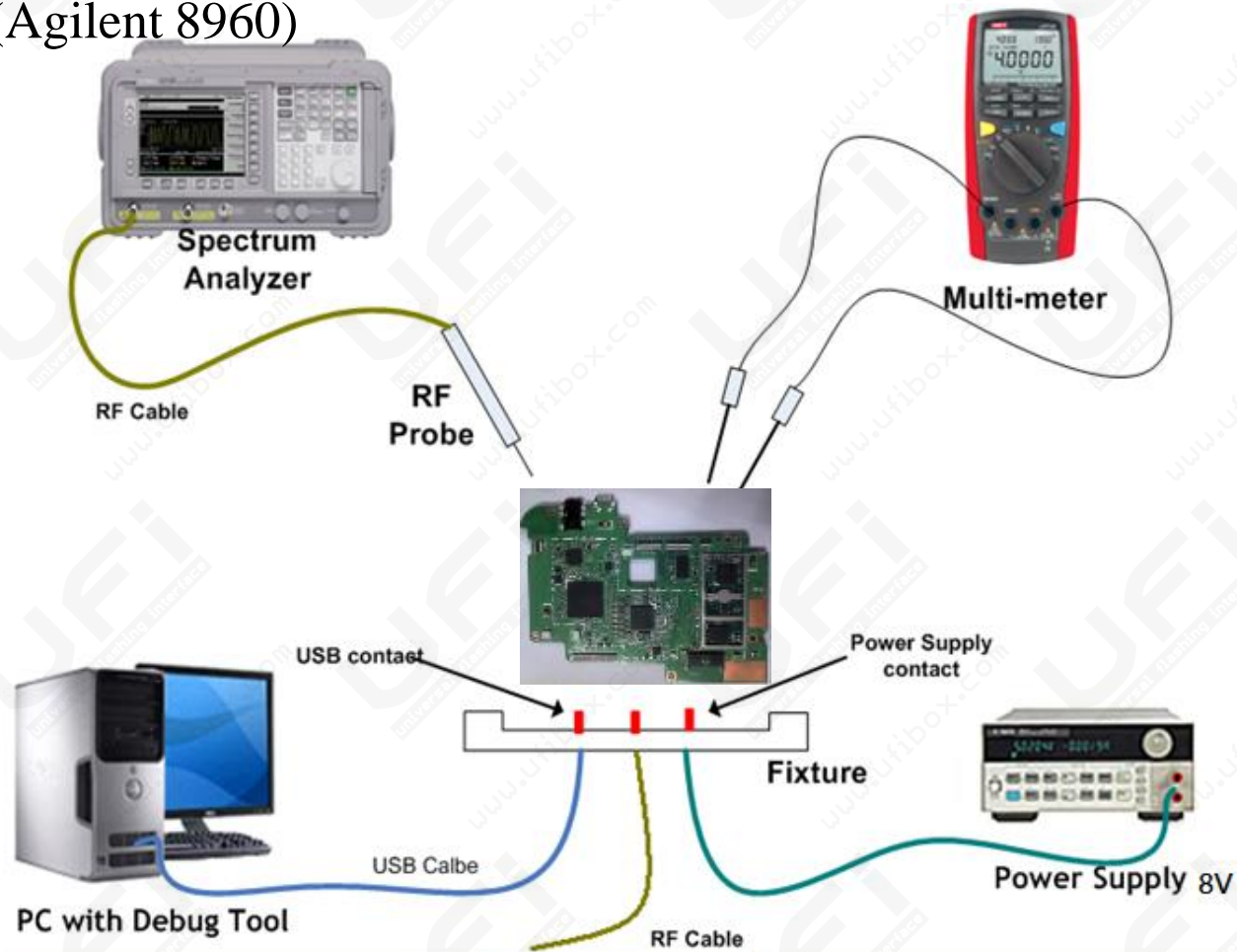
**RF Hardware Trouble Shooting
Guide**

Outline

- **Test Equipment**
- **2G/3G function**
- **WiFi/BT/GPS**

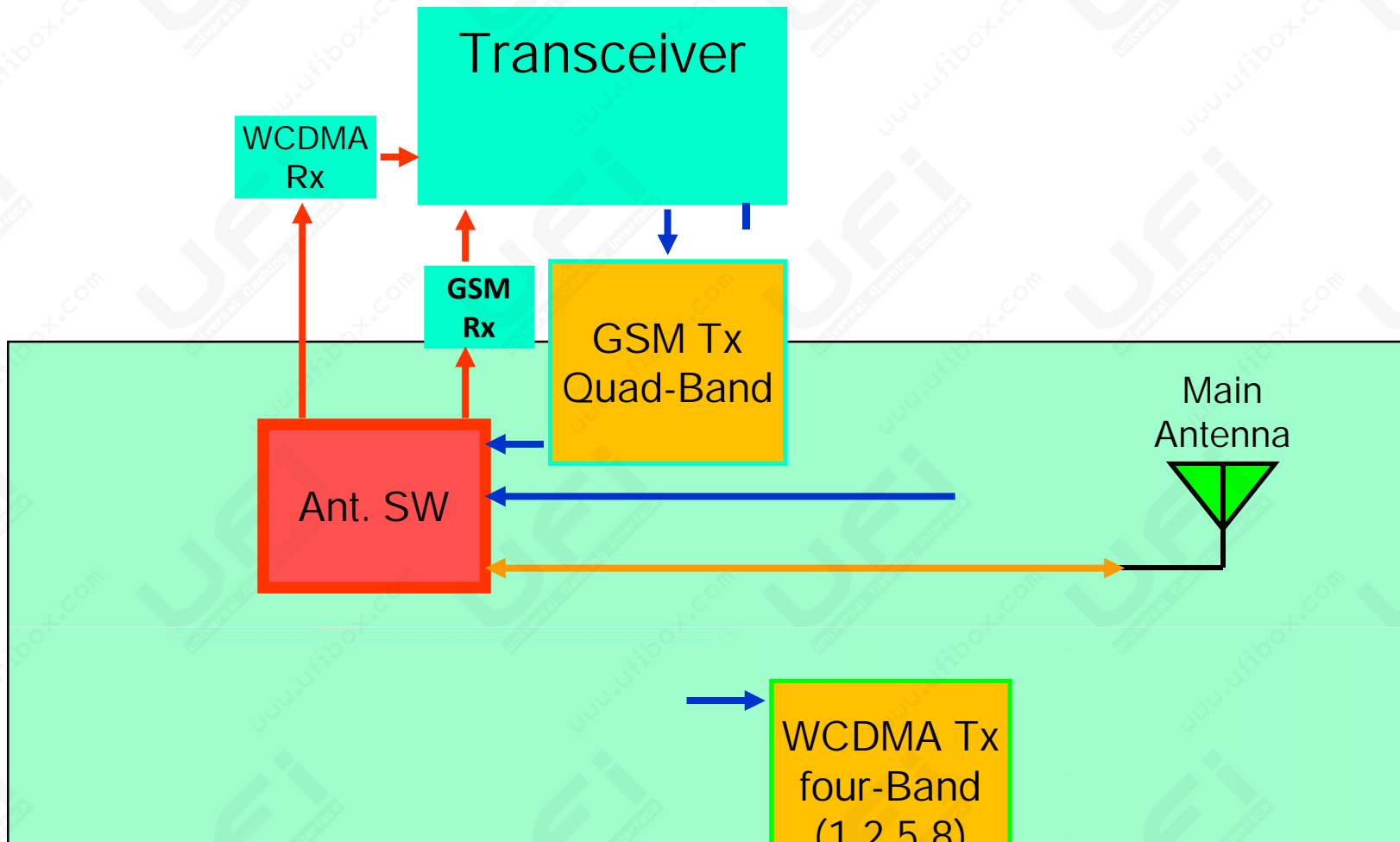
Test Equipment

Anritsu 8820B(C)
(Agilent 8960)



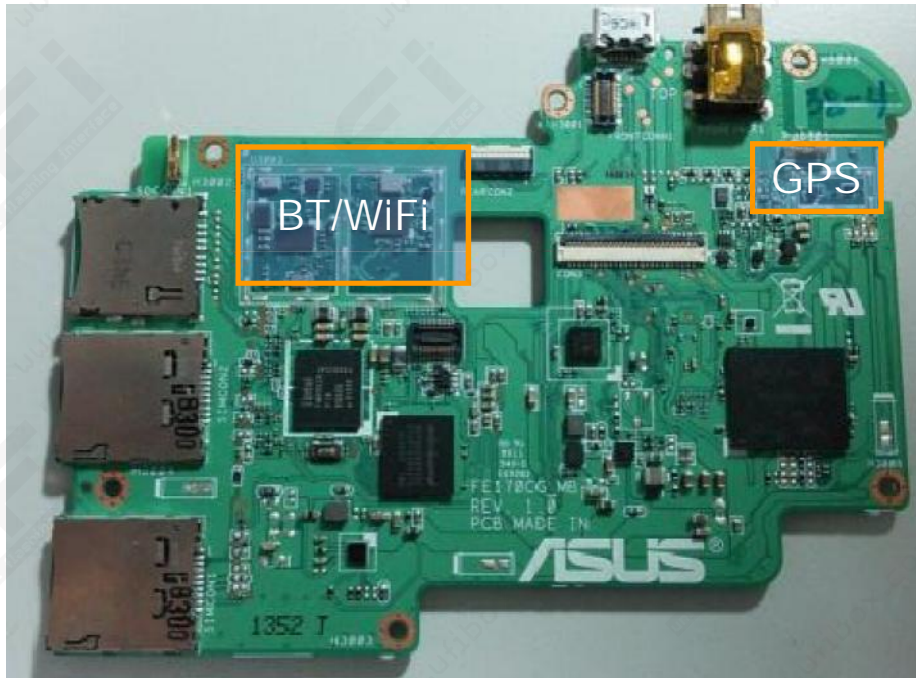
2/3G Block Diagram

Main Board

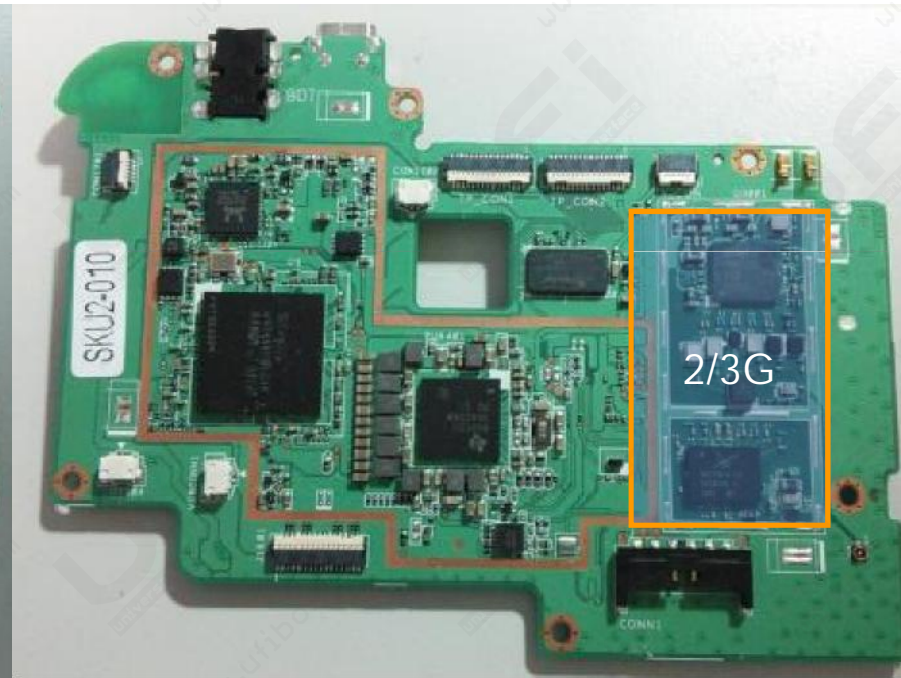


Placement

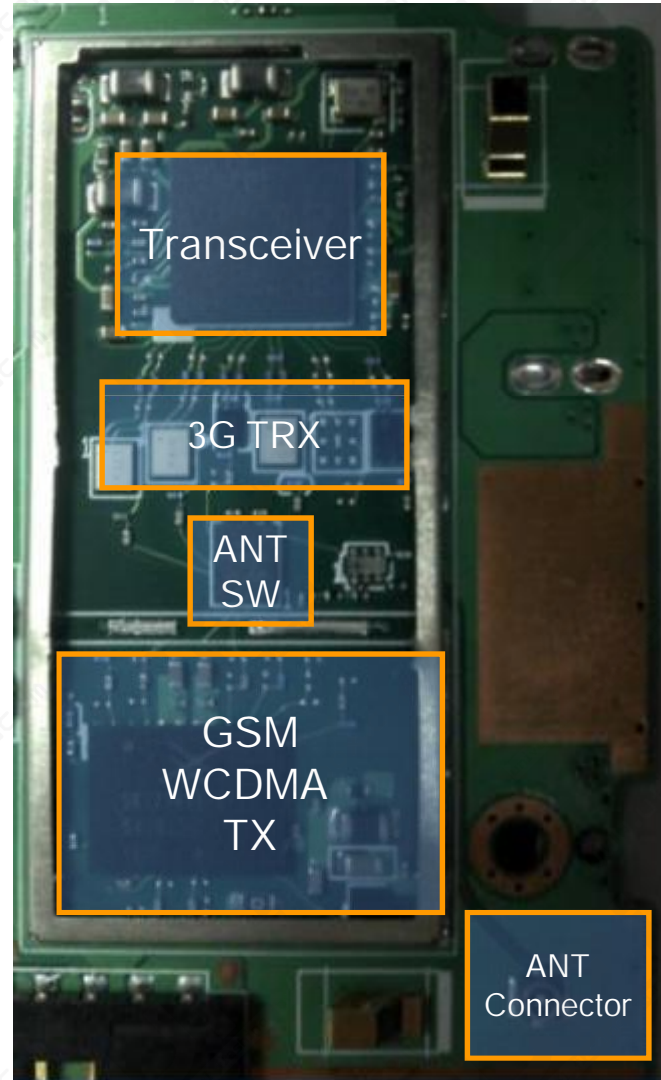
Top View



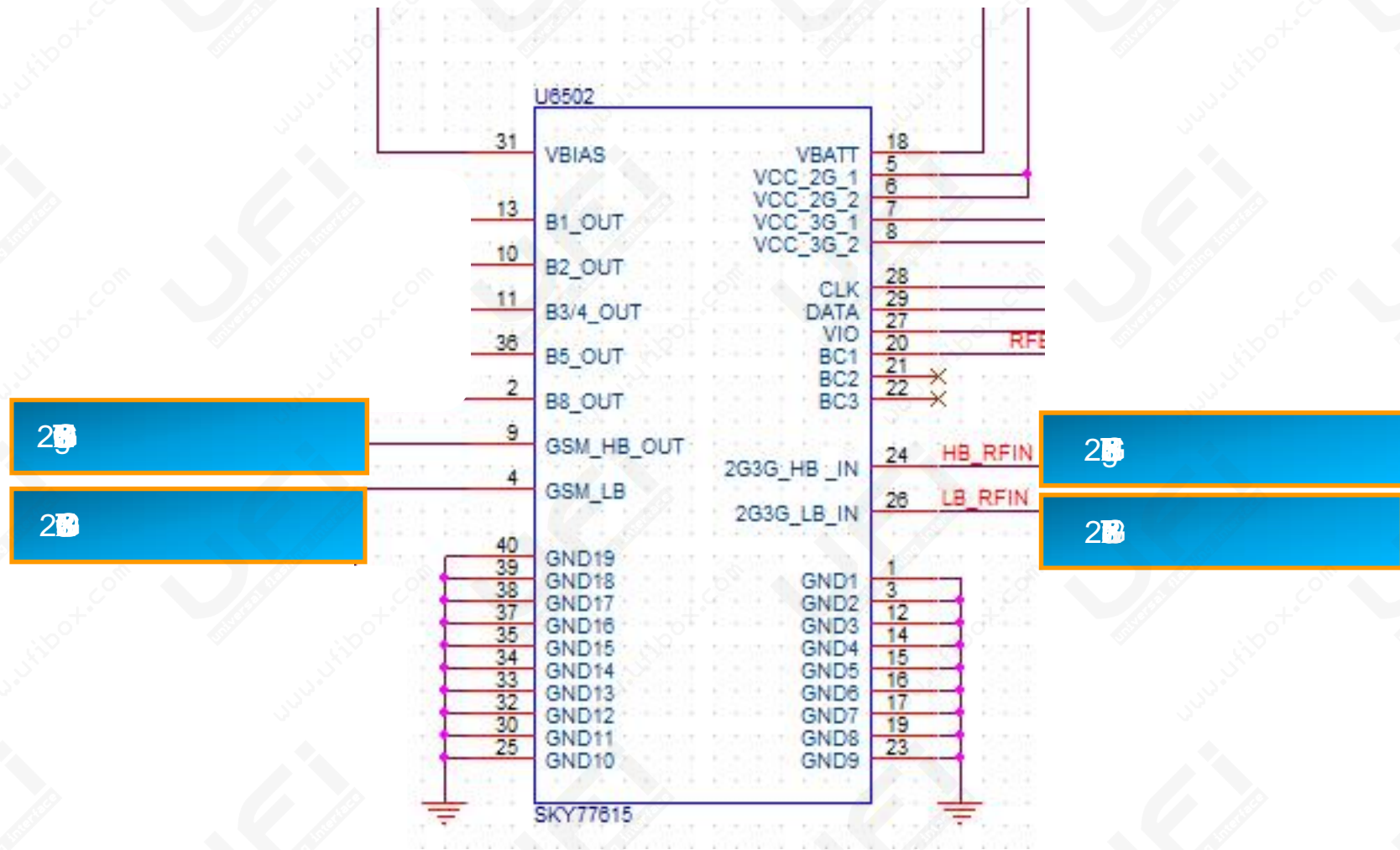
Bottom View



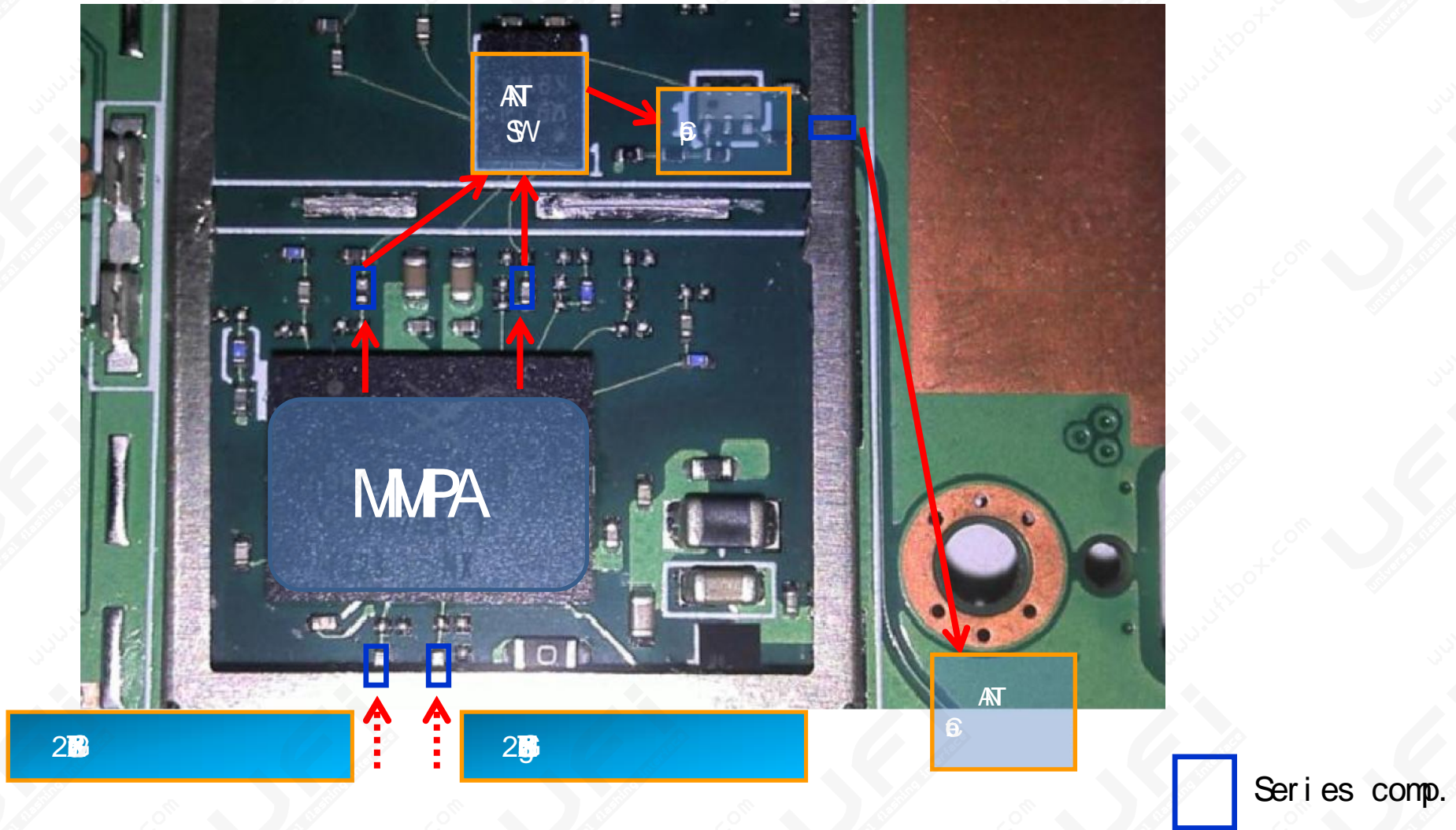
RF Block Diagram(Bottom)



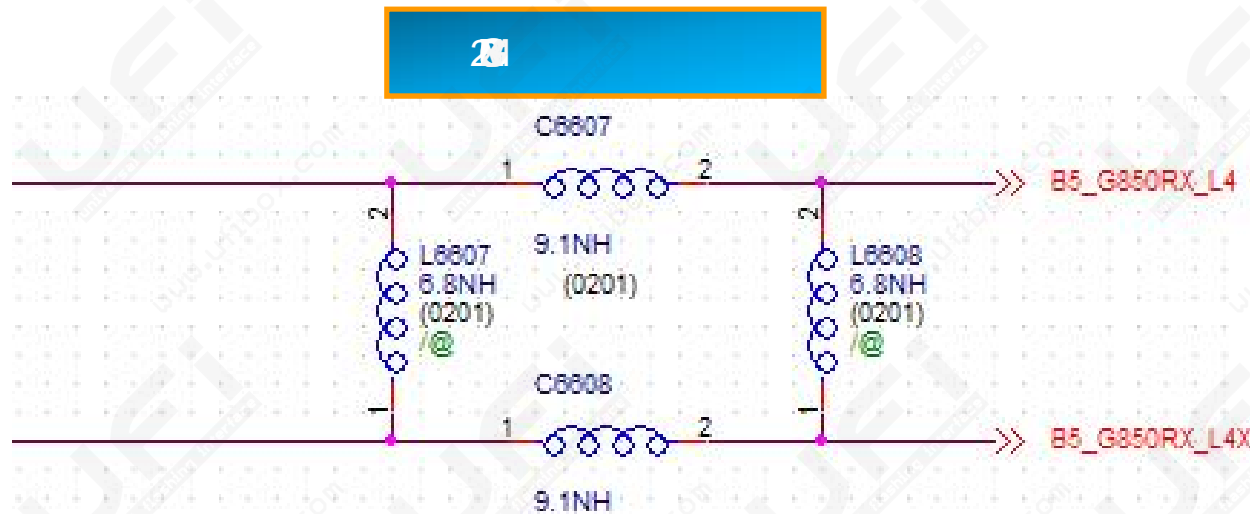
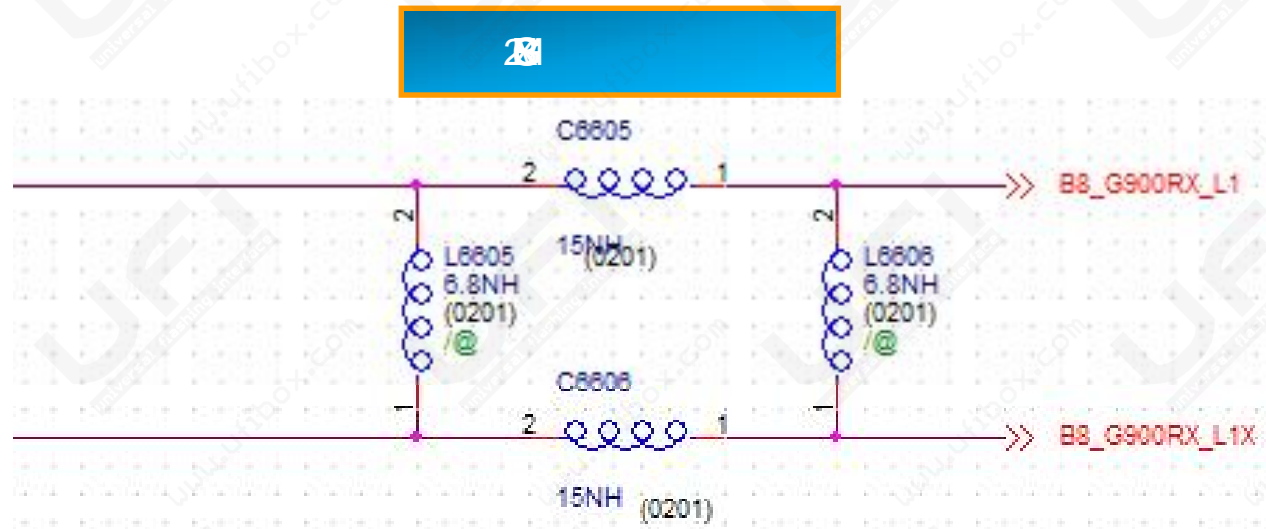
GSM Quad Band Tx Path



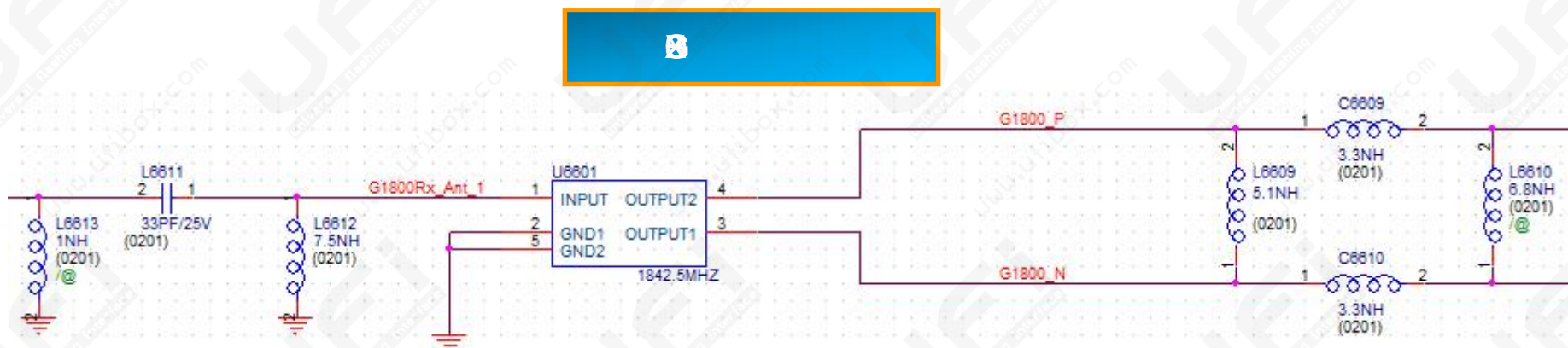
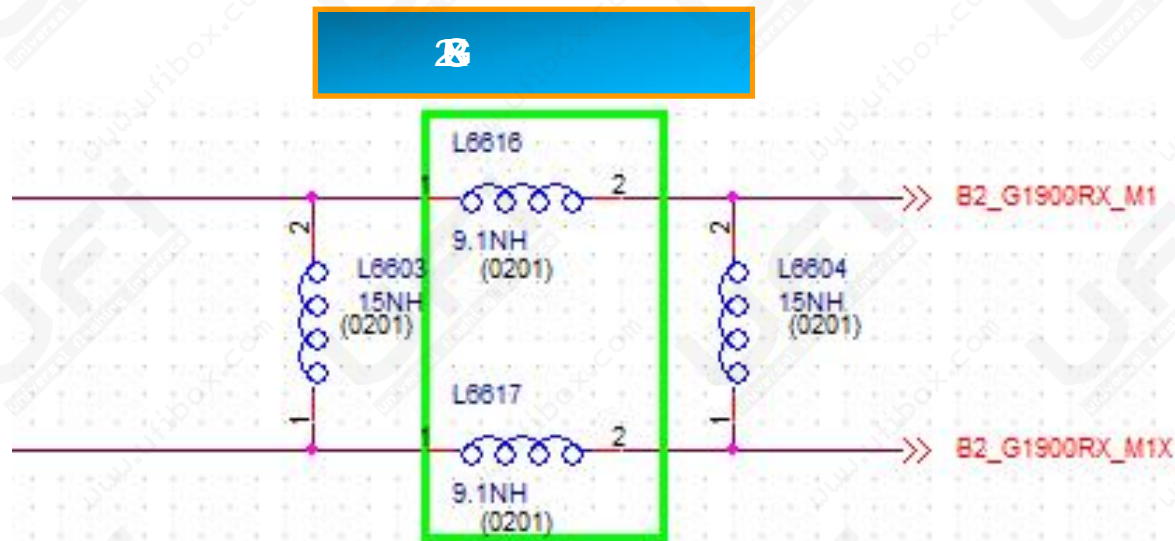
GSM Quad Band Tx Path



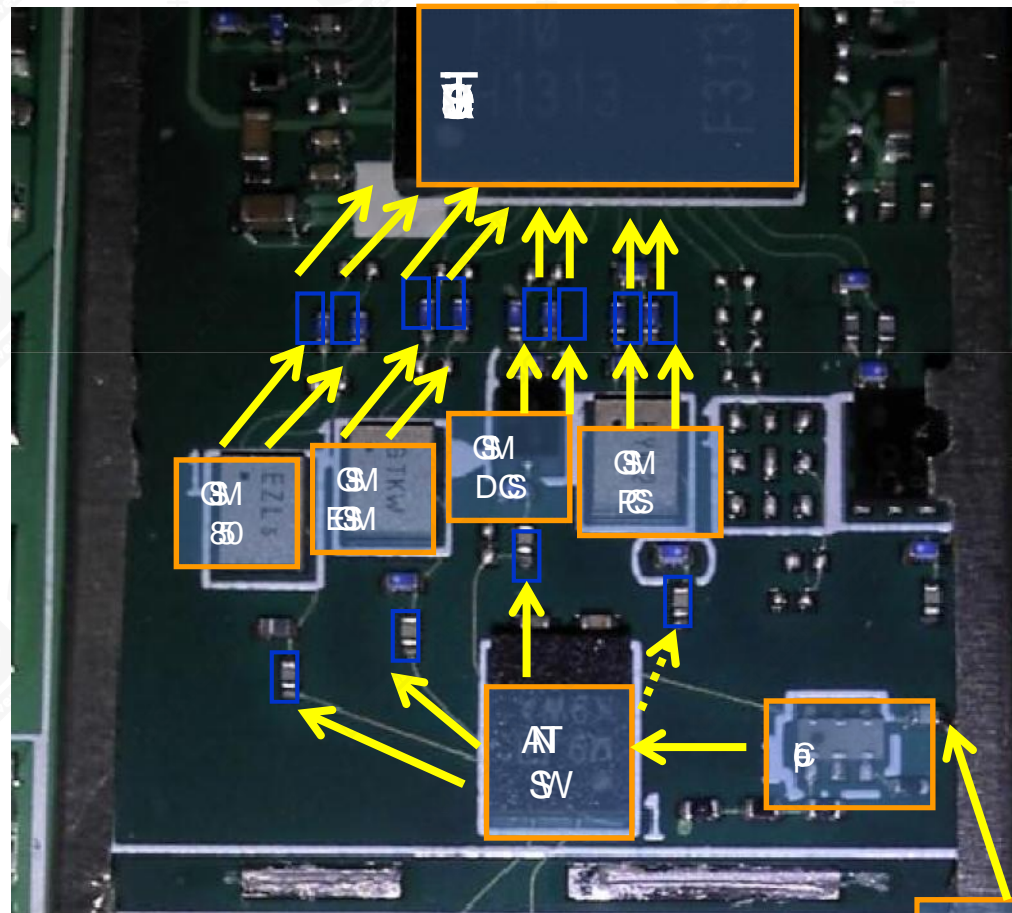
GSM Quad Band Rx Path



GSM Quad Band Rx Path



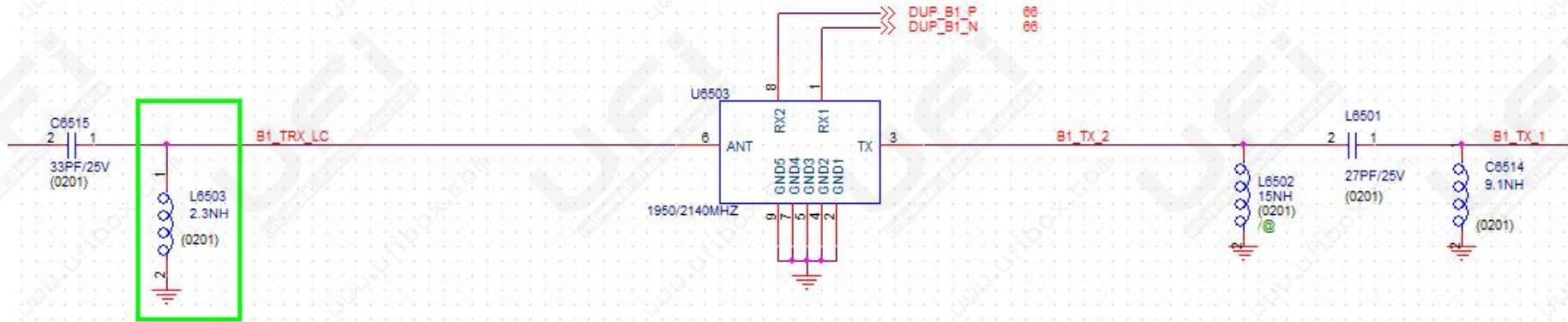
GSM Quad Band Rx Path



Series comp.

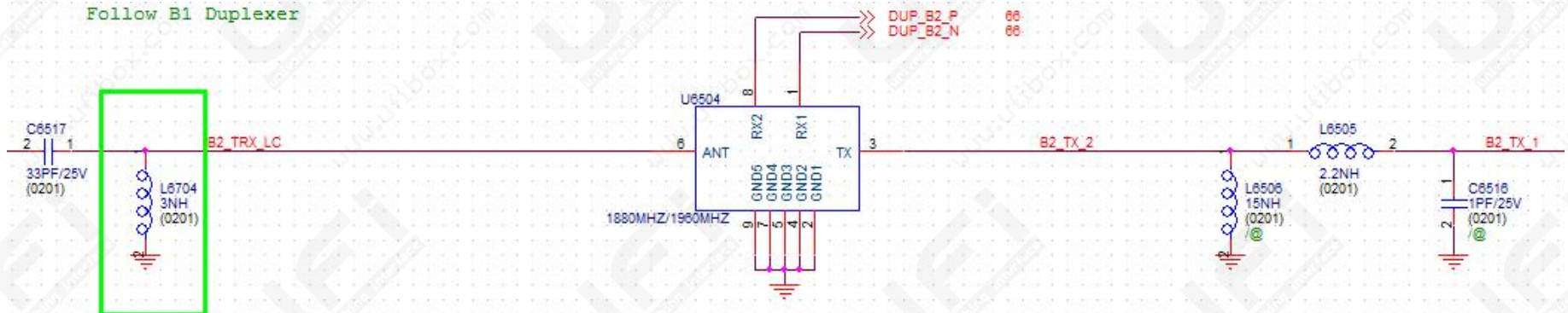
WCDMA Tx Path

B TX



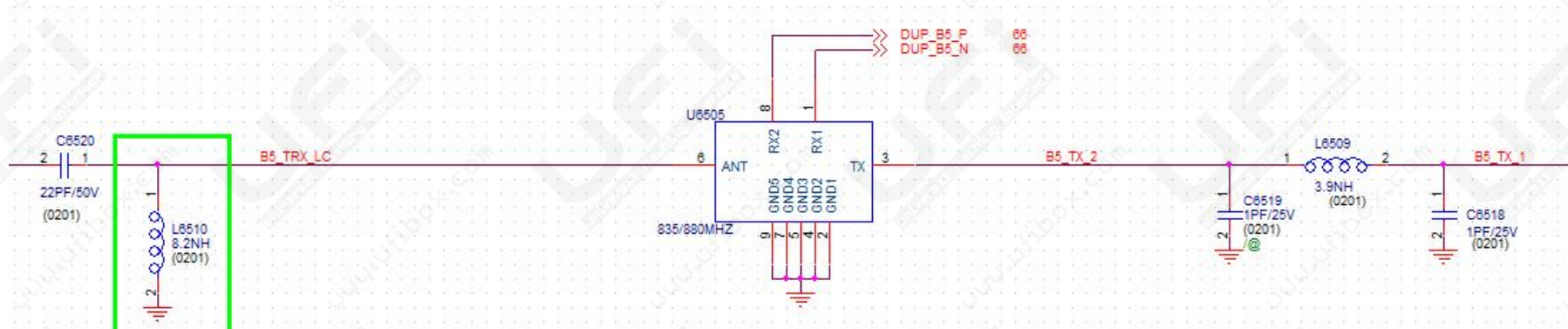
B2 TX

Follow B1 Duplexer

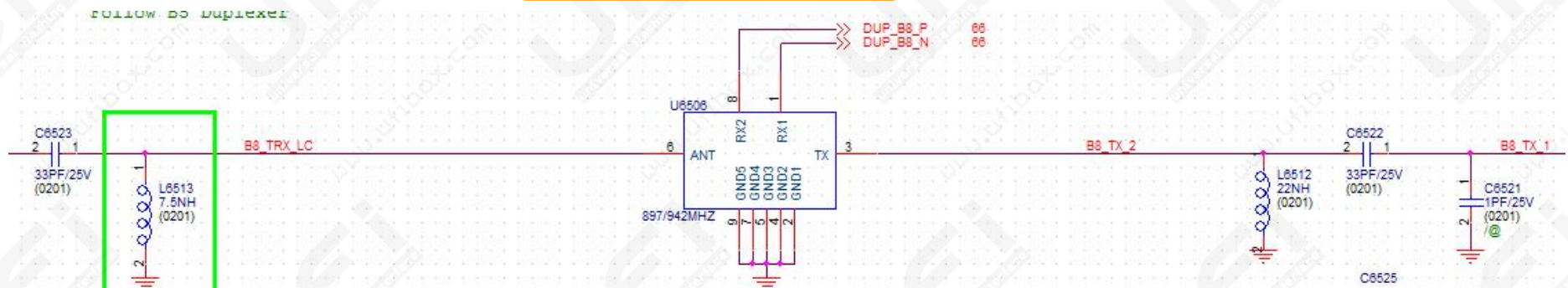


WCDMA Tx Path

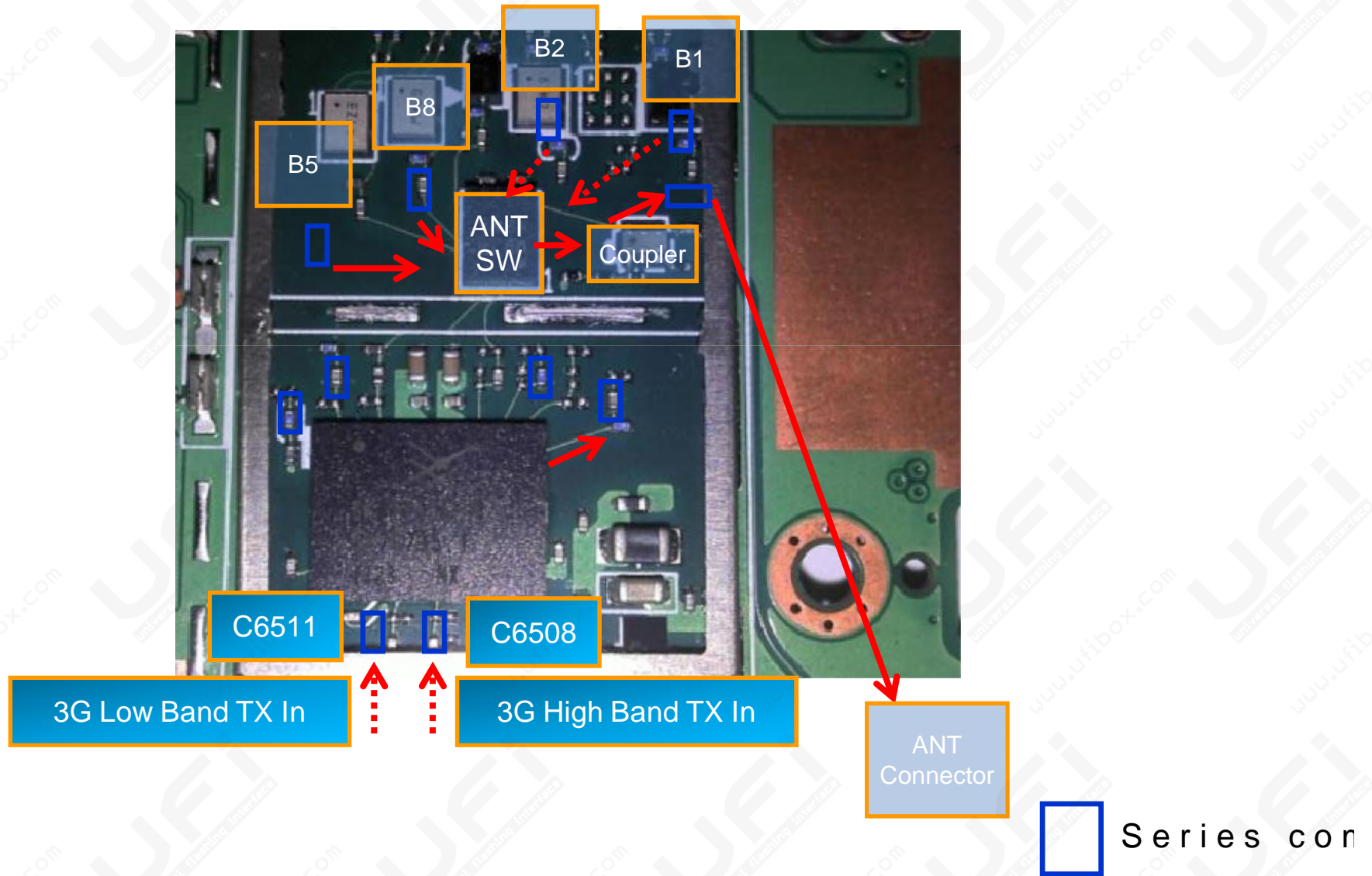
B5 TX



B8 TX

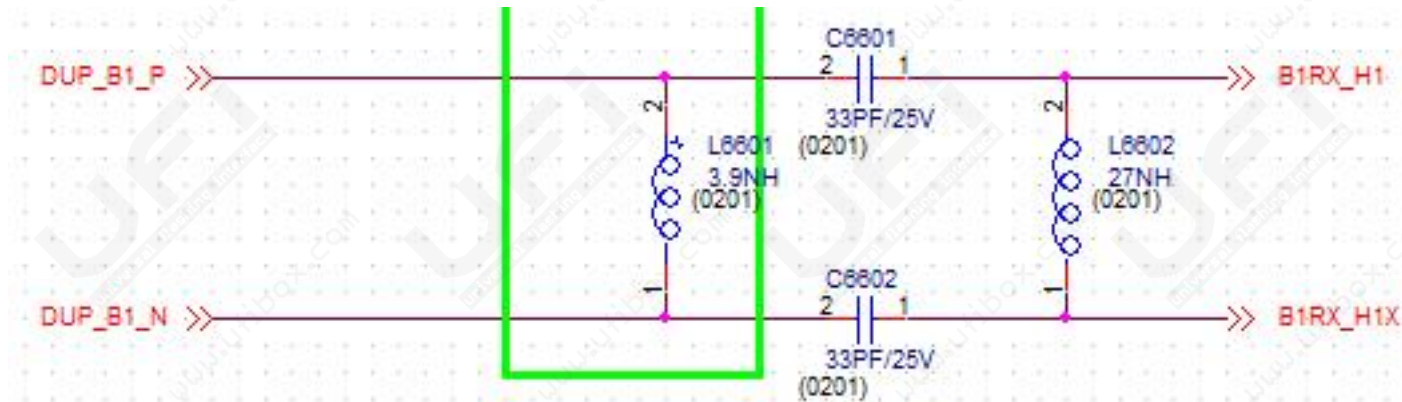


WCDMA Tx Path

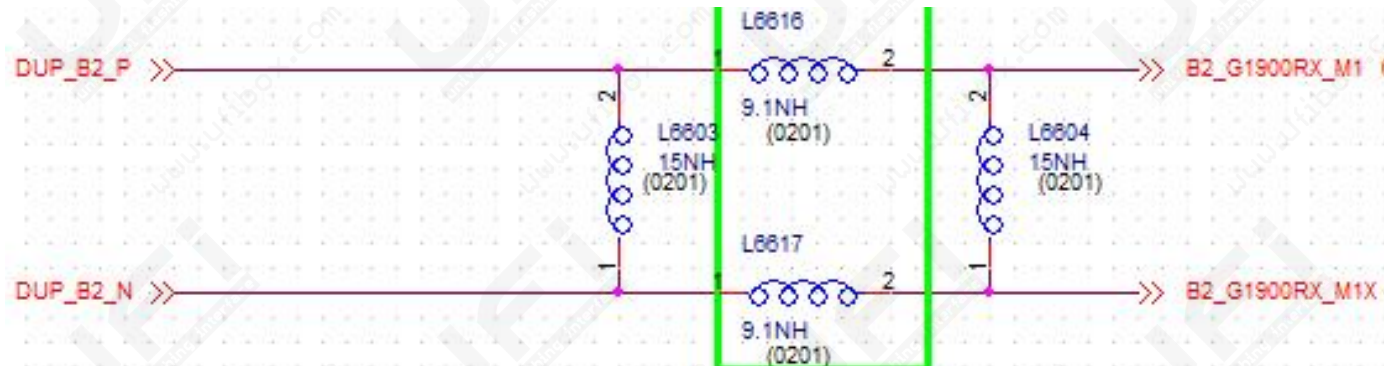


WCDMA Rx Path

B1 RX

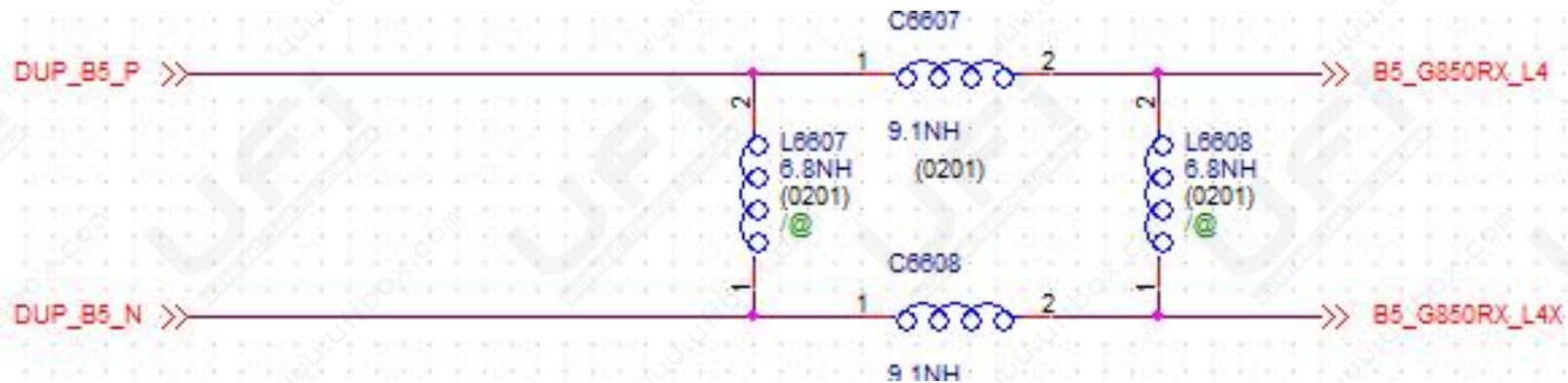


B2 RX

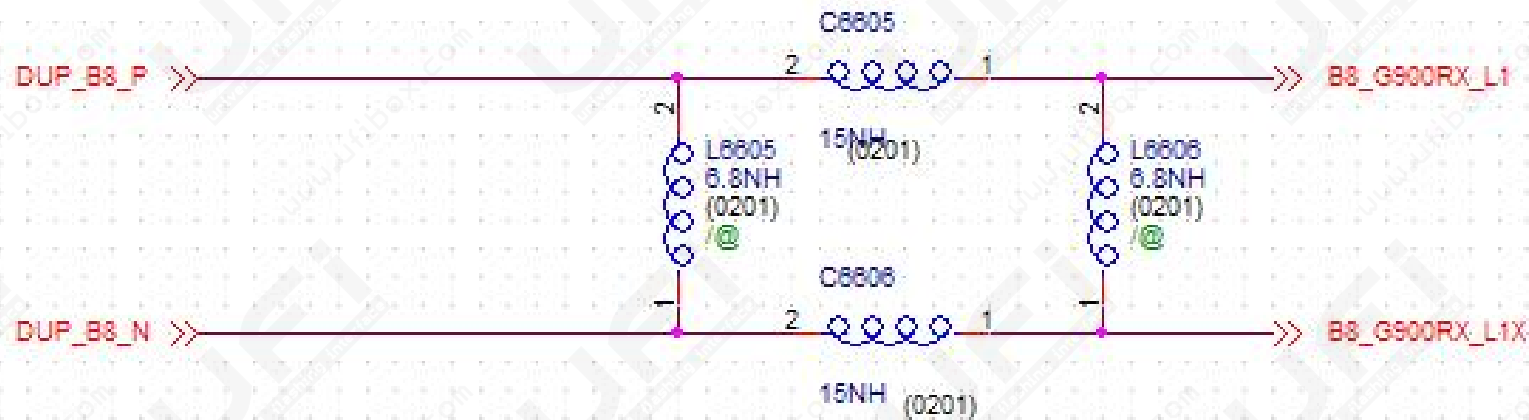


WCDMA Rx Path

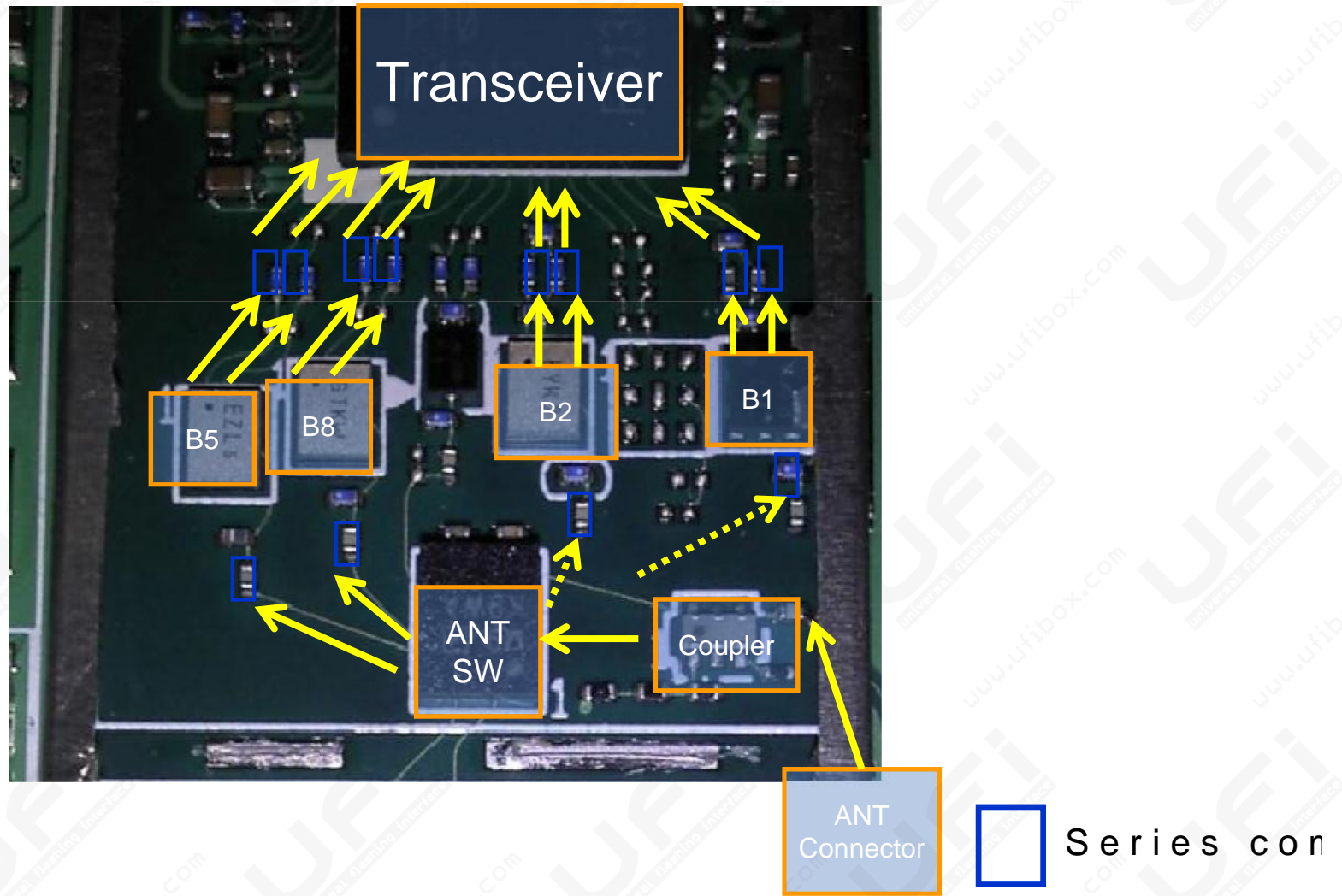
B5 RX



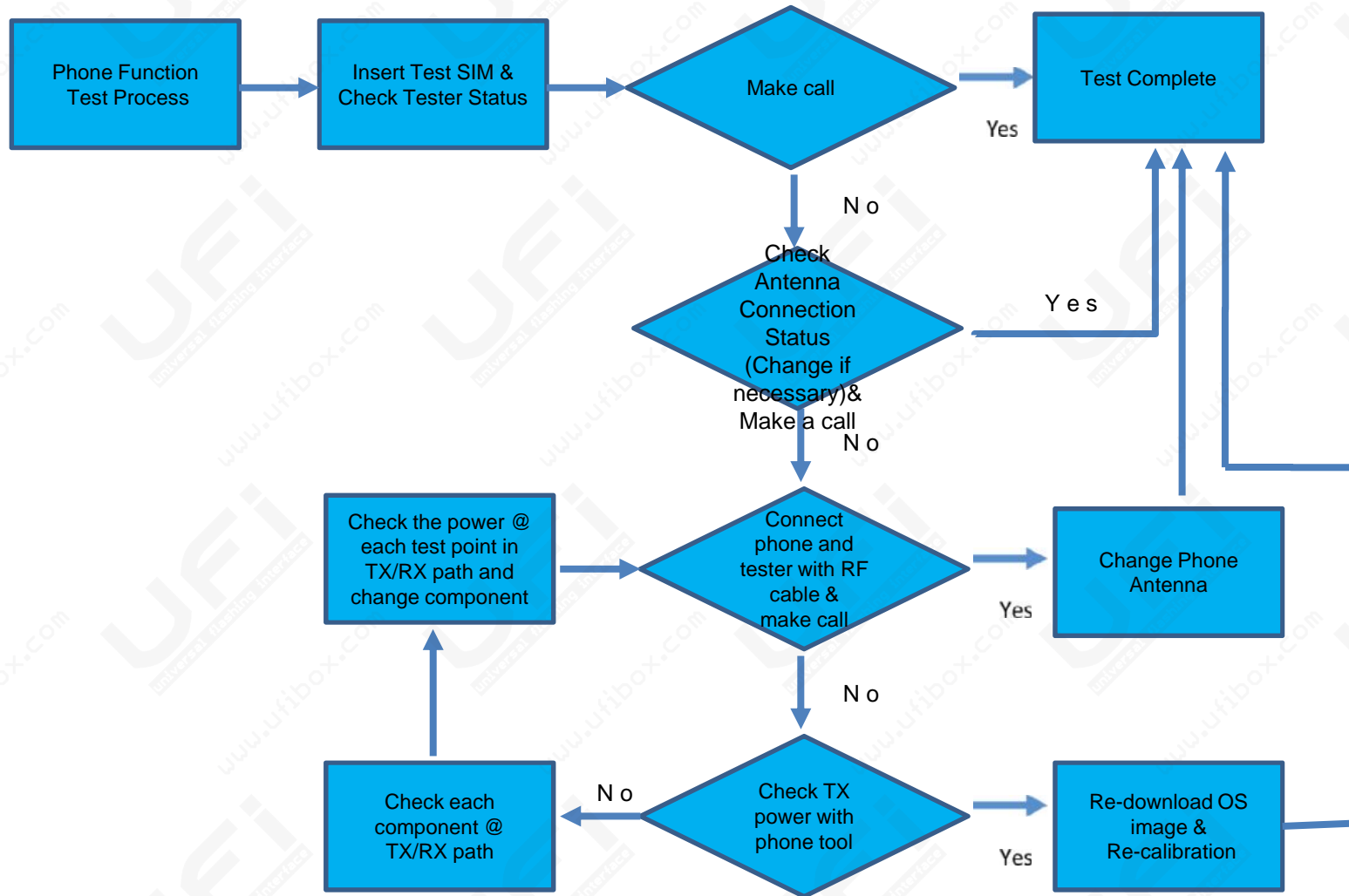
B8 RX



WCDMA Rx Path



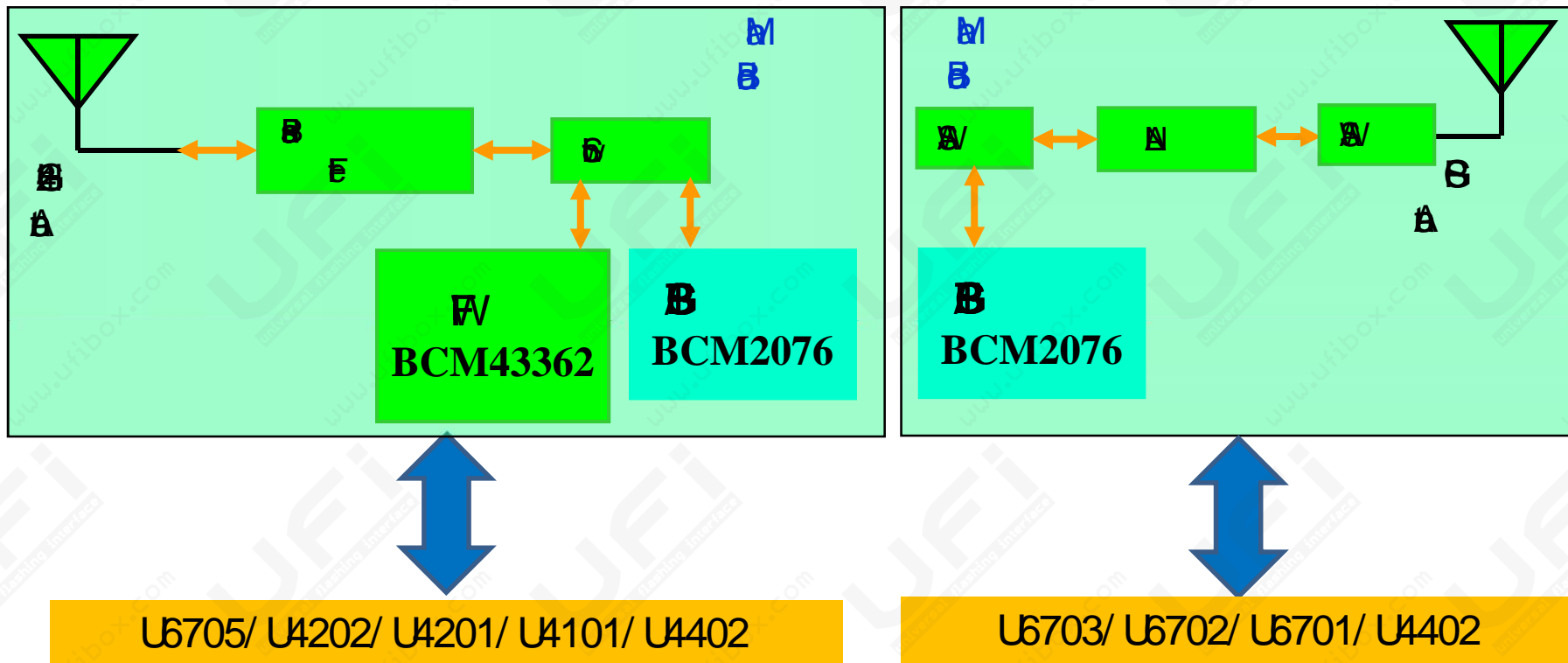
Phone Function Test Procedure



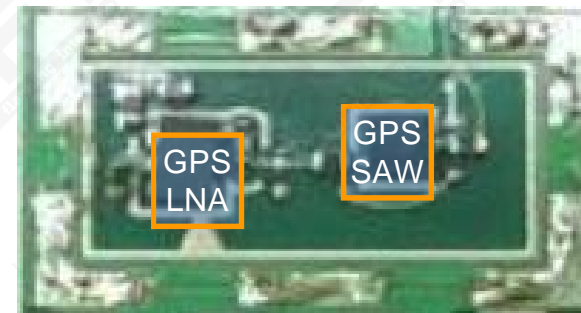
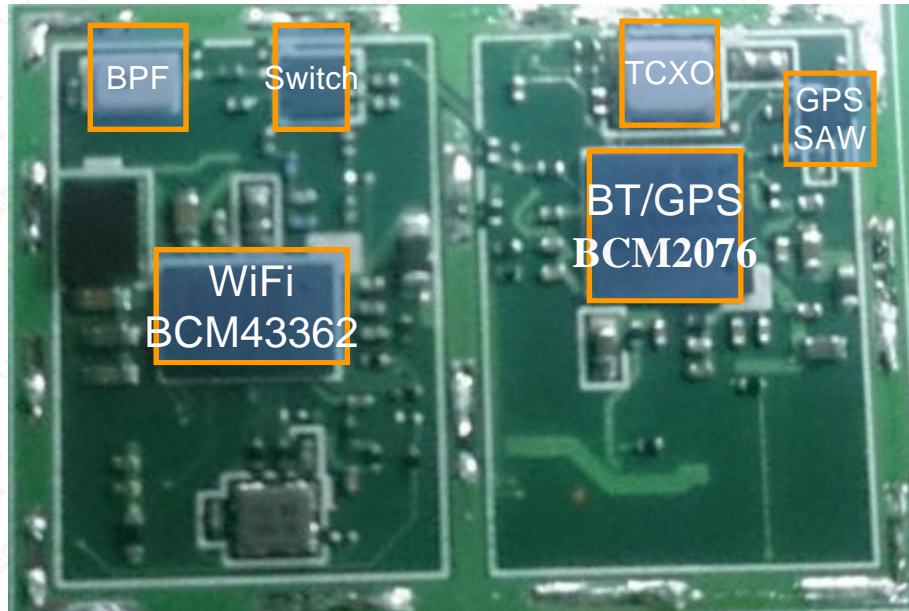
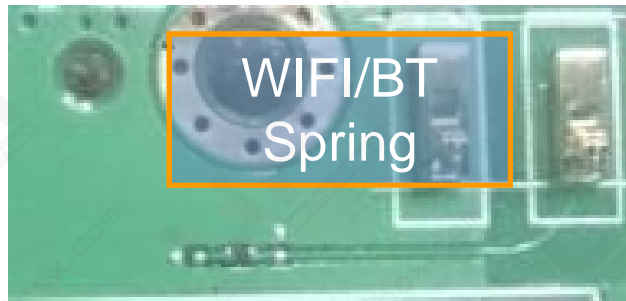
RF Features

- **BT/GPS Module: BCM2076**
BT/GPS/GNSS
- **WiFi Module: BCM43362**
IEEE 802.11b/g/n

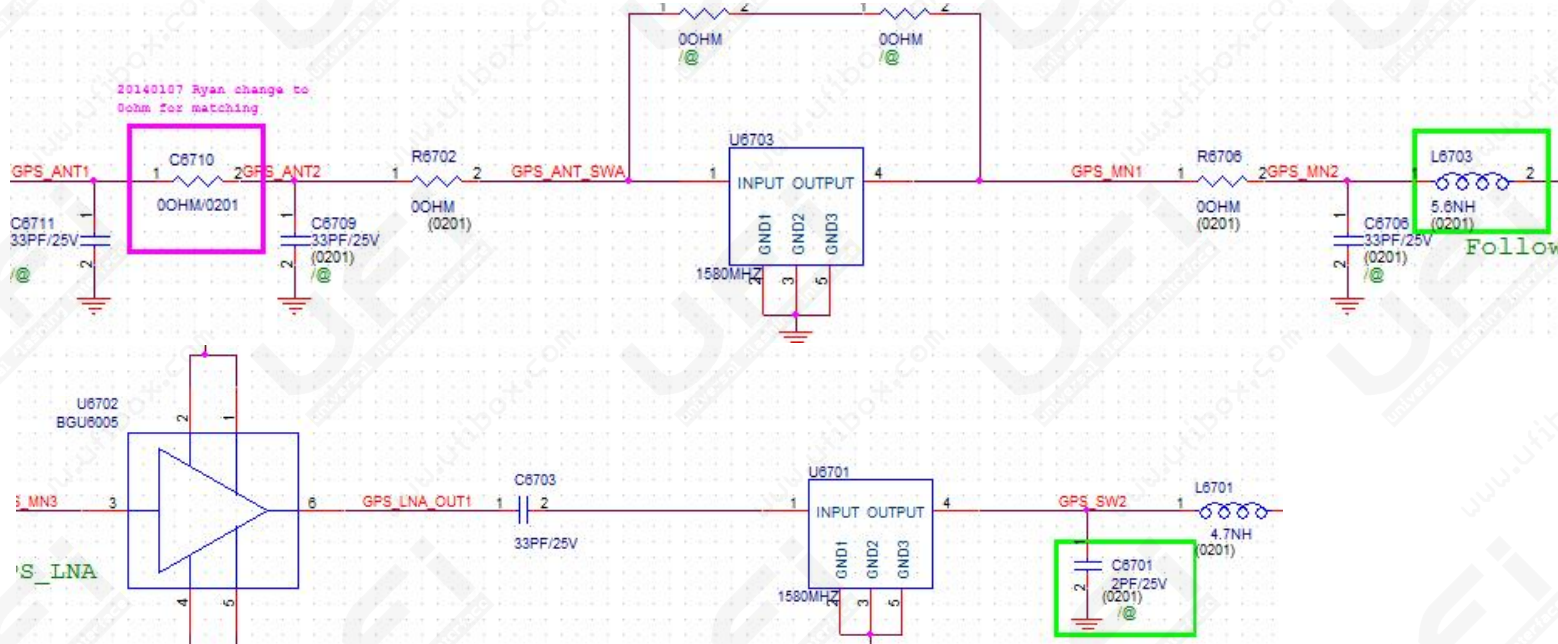
BT/WiFi/GPS Block Diagram



RF Block Diagram

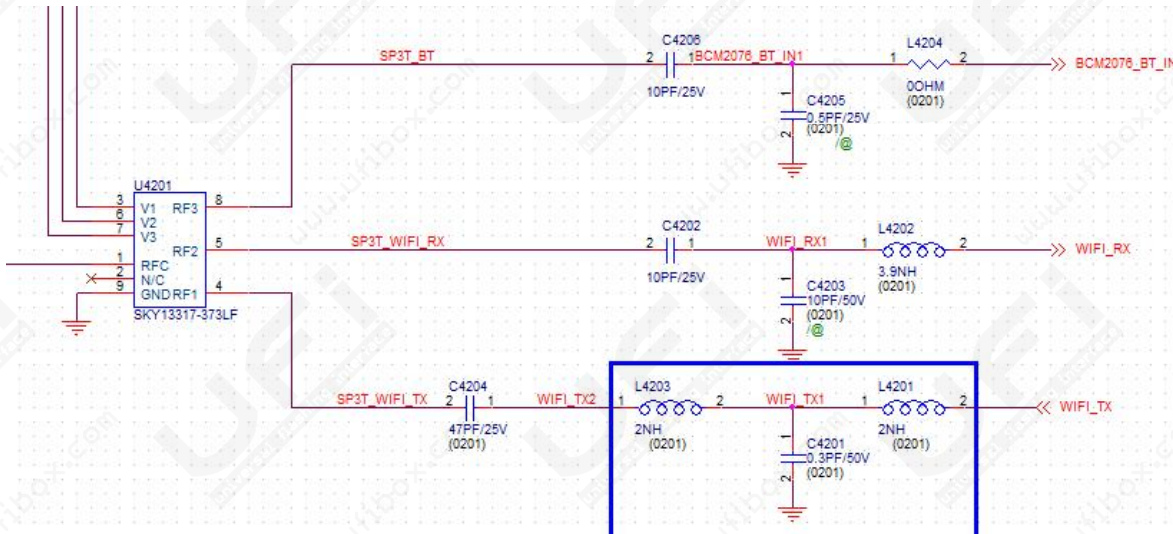
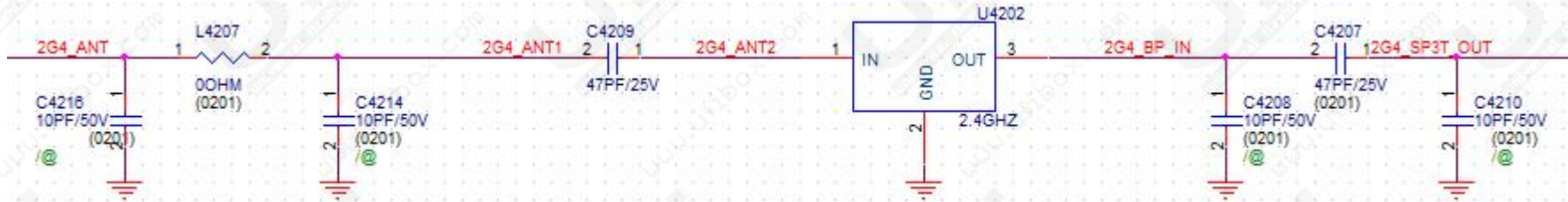


GPS Path



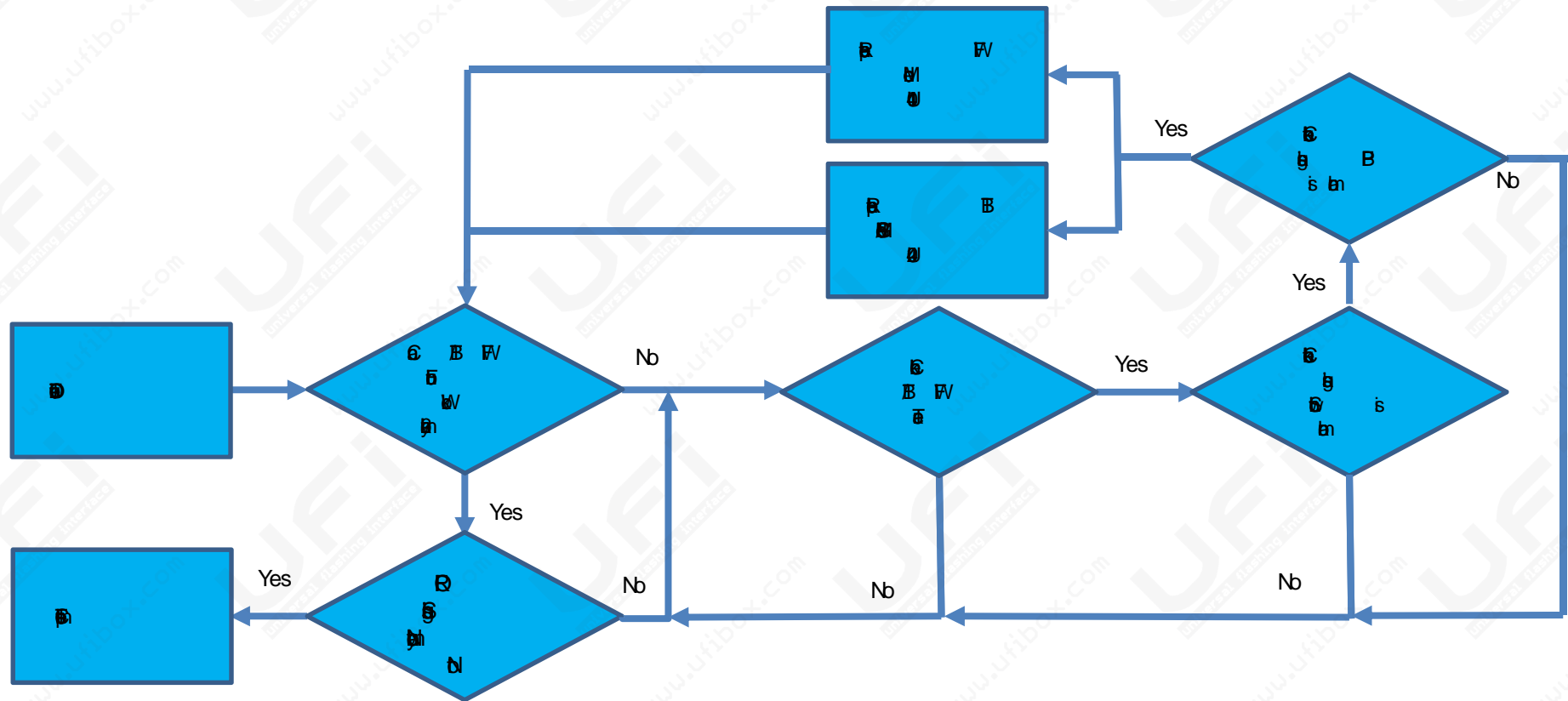
✘ GPSP at ~~NA~~

WiFi Path



WiFi Path

BT/WiFi Repair Test Procedure



GPS Repair Test Procedure

