

SAMSUNG SM-J250F/G/M

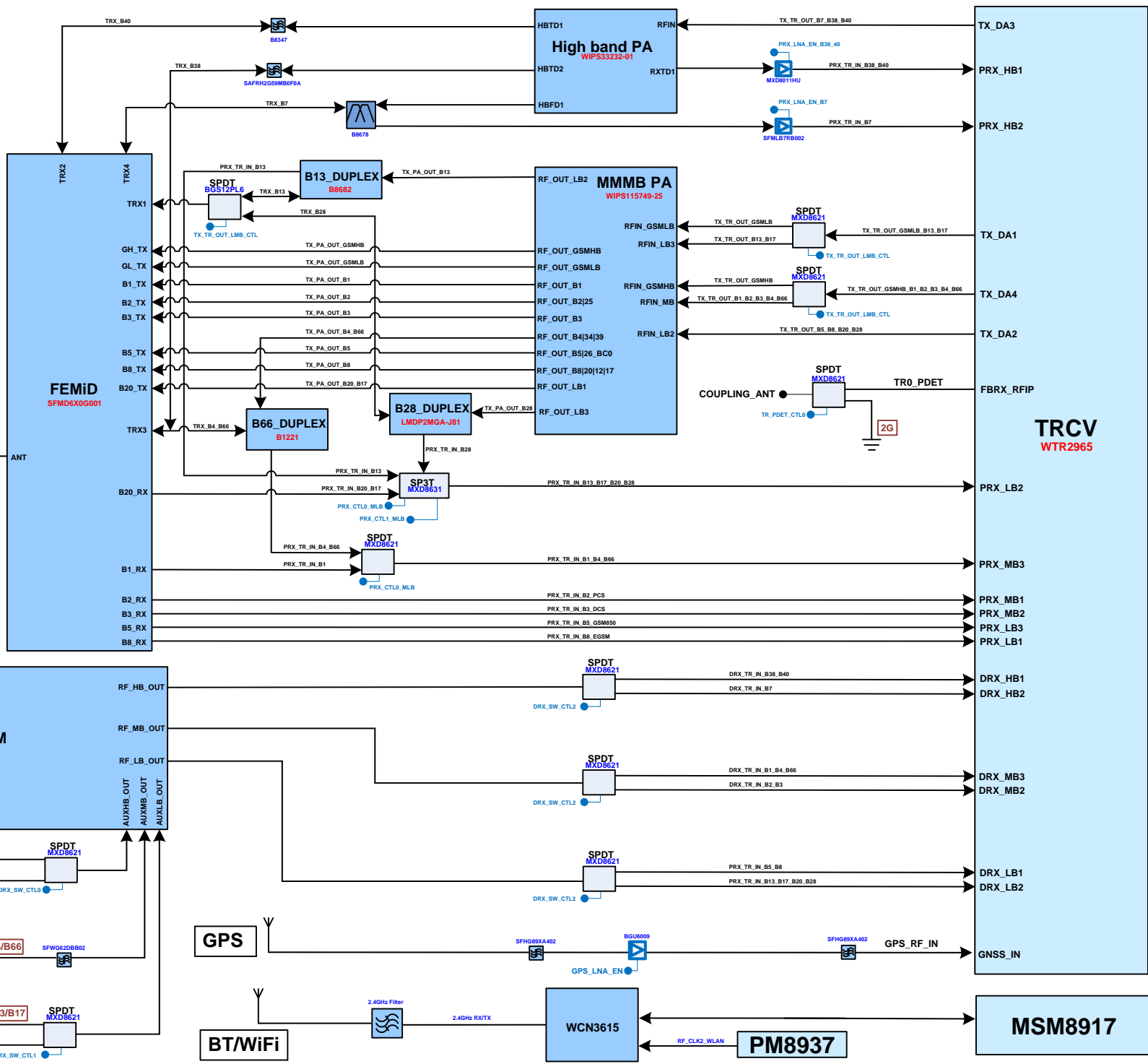
SM-J250F
 LTE B1,3,5,7,8,20,38,40 TX / PRX & DRX
 WCDMA 1/5/8 TX/PRX
 GSM 850/900/1800 TX/PRX

SM-J250G
 LTE B1,3,5,7,8,28,38,40 TX / PRX & DRX
 WCDMA 1/5/8 TX/PRX
 GSM 850/900/1800 TX/PRX

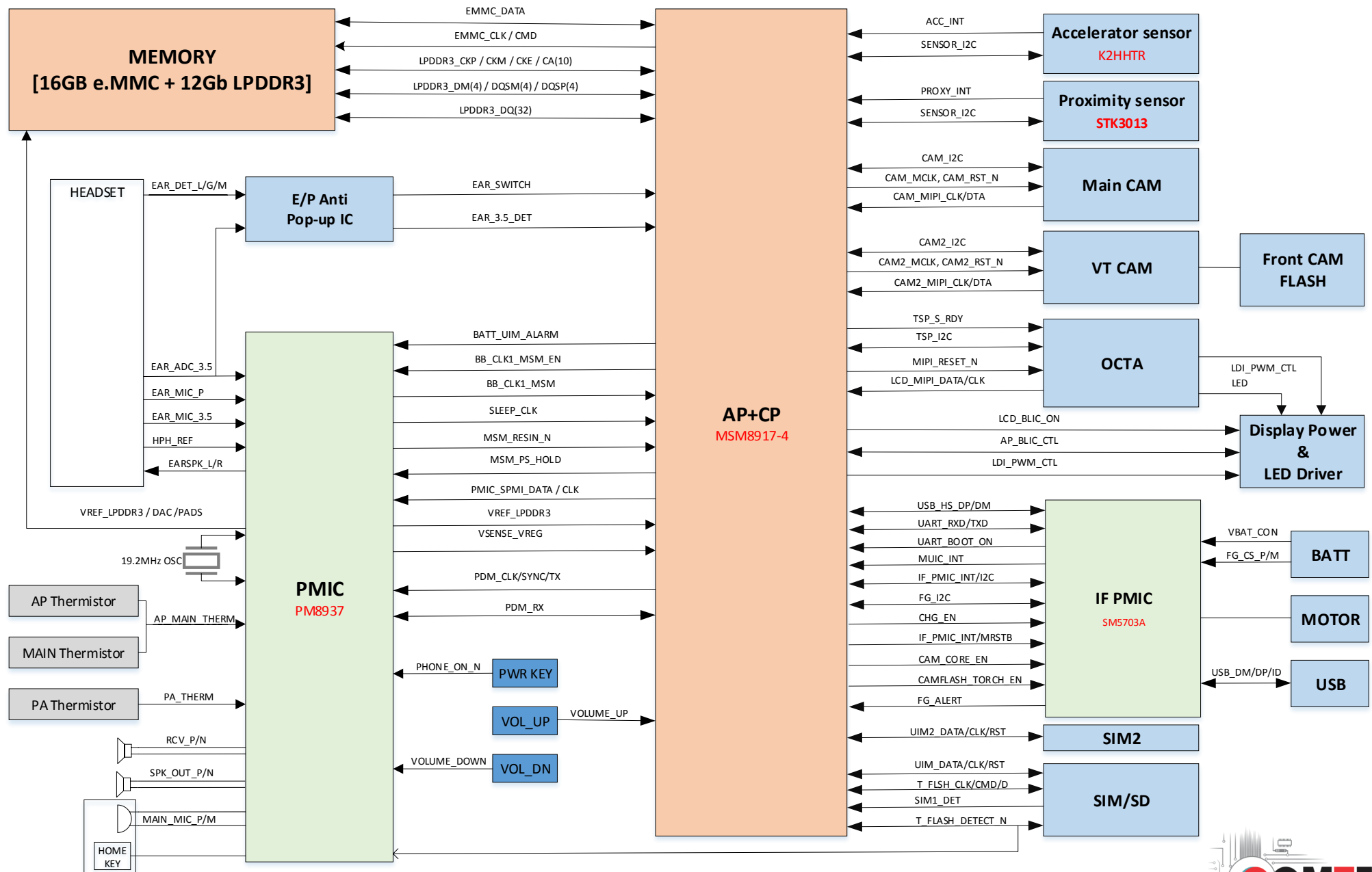
SM-J250M
 LTE B1,2,3,4,5,7,8,12,13,17,28,66 TX / PRX & DRX
 WCDMA 1/2/5/8 TX/PRX
 GSM 850/900/1800/1900 TX/PRX

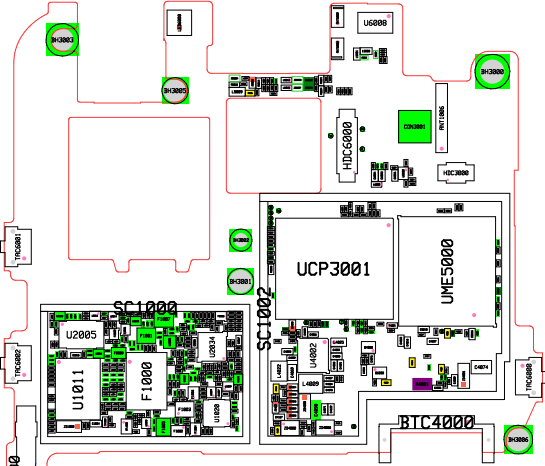
Main ANT 1
 LTE 1/2/3/4/5/7/8/13/17/20/28/38/40/66
 WCDMA 1/2/5/8
 GSM 850/900/1800/1900

Sub ANT 1
 LTE 1/2/3/4/5/7/8/13/17/20/28/38/40/66

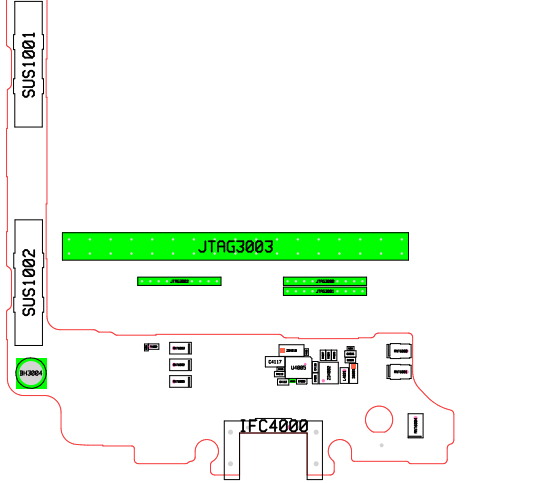


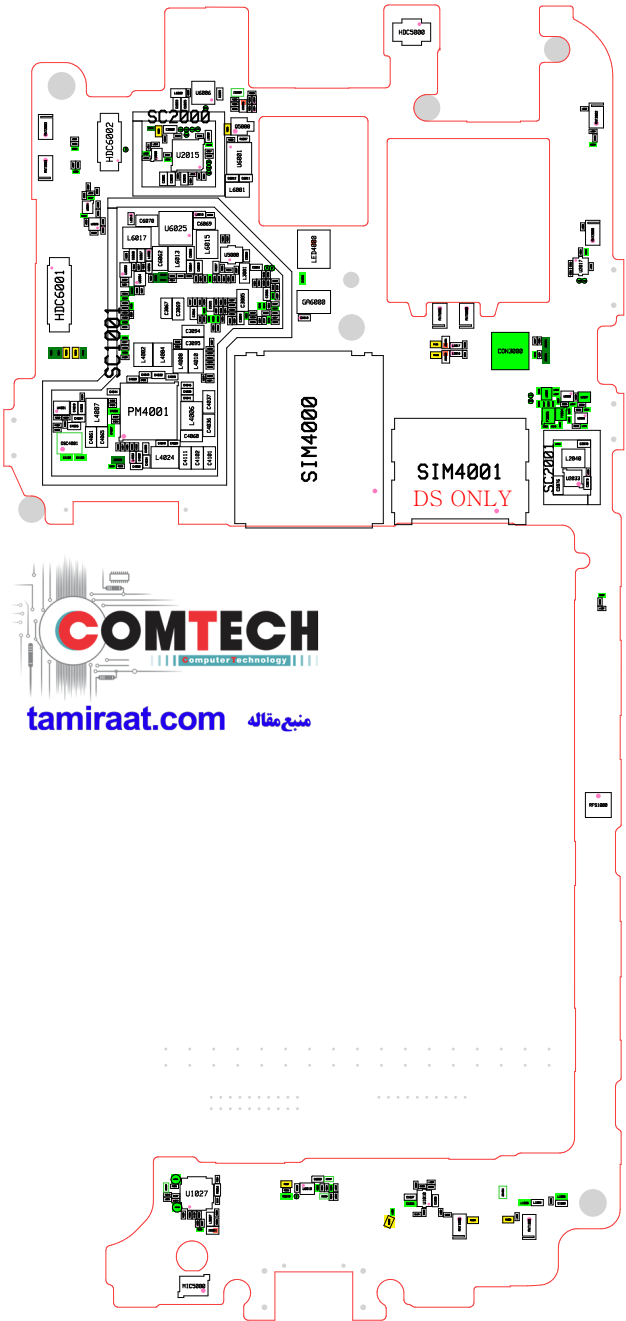
SM-J250F Logic Block Diagram





tamiraat.com منبع مقاله

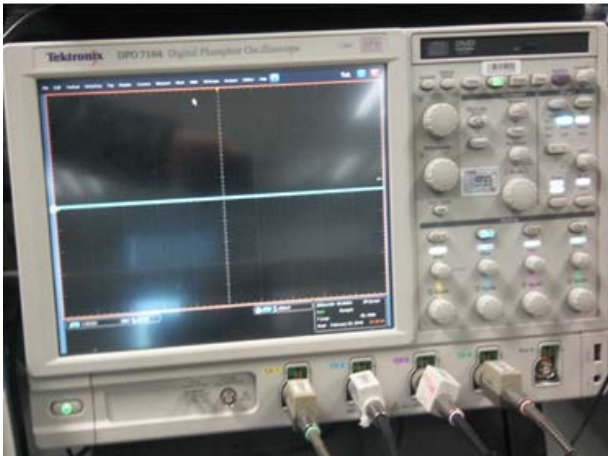




tamiraat.com منبع مقاله

8. Level 3 Repair

8-3. Flow chart of Troubleshooting.



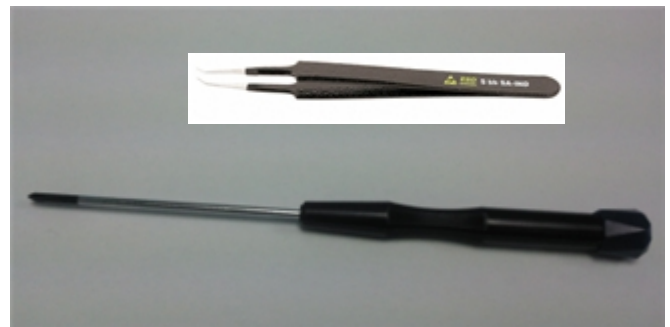
Oscilloscope



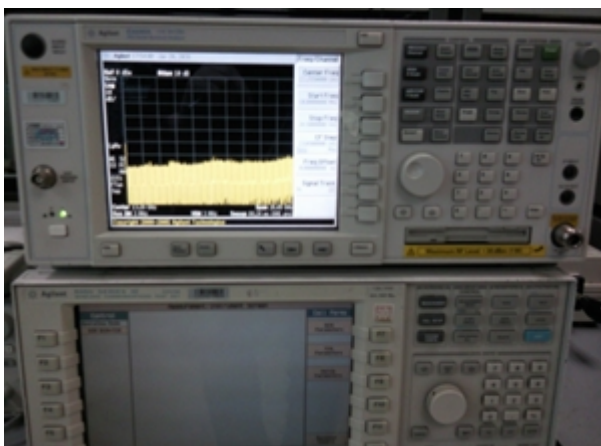
Digital Multimeter



Power Supply



+ driver, ESD Safe Tweezer



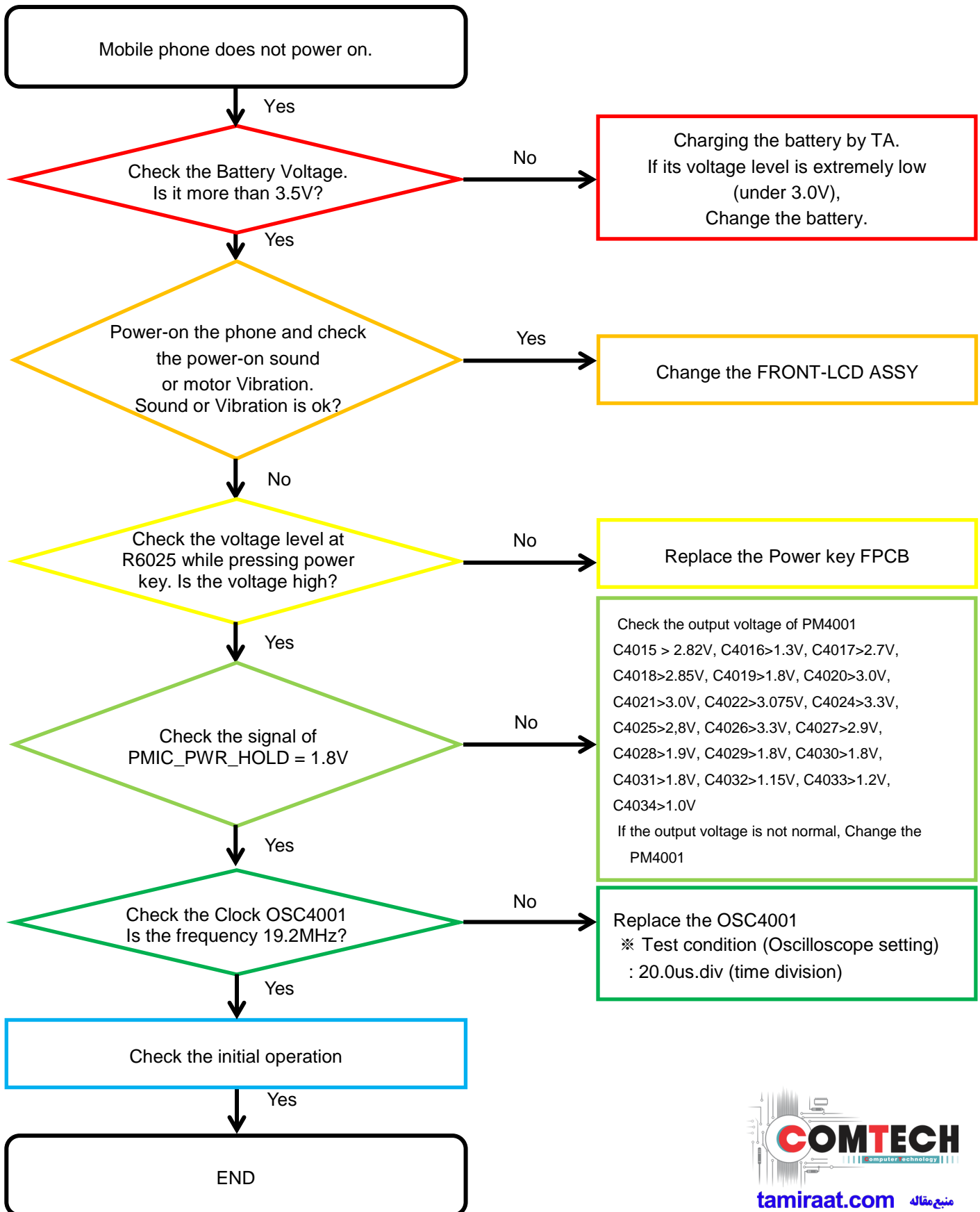
8960 & Spectrum Analyzer



Soldering iron

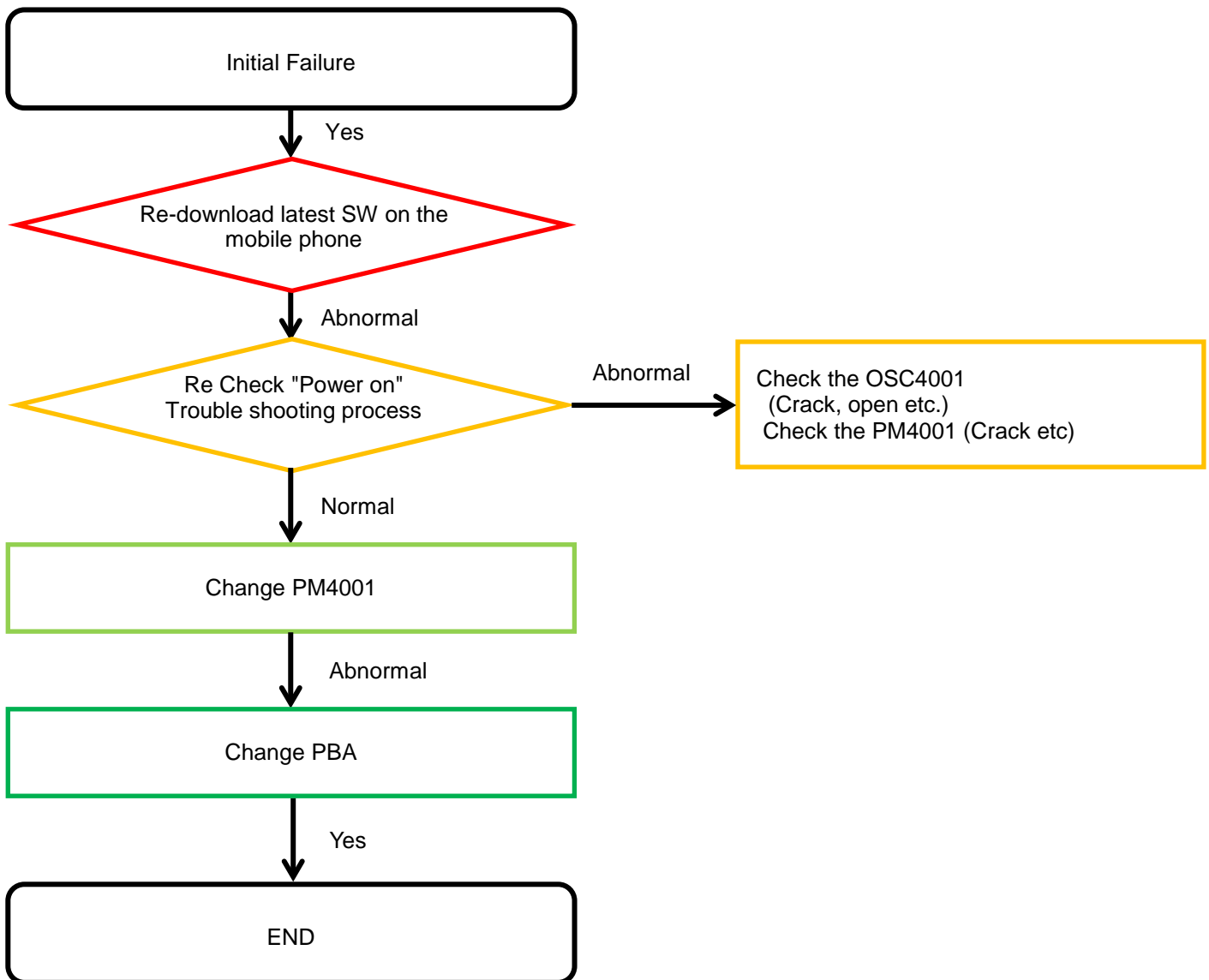
8. Level 3 Repair

8-4-1. Power On



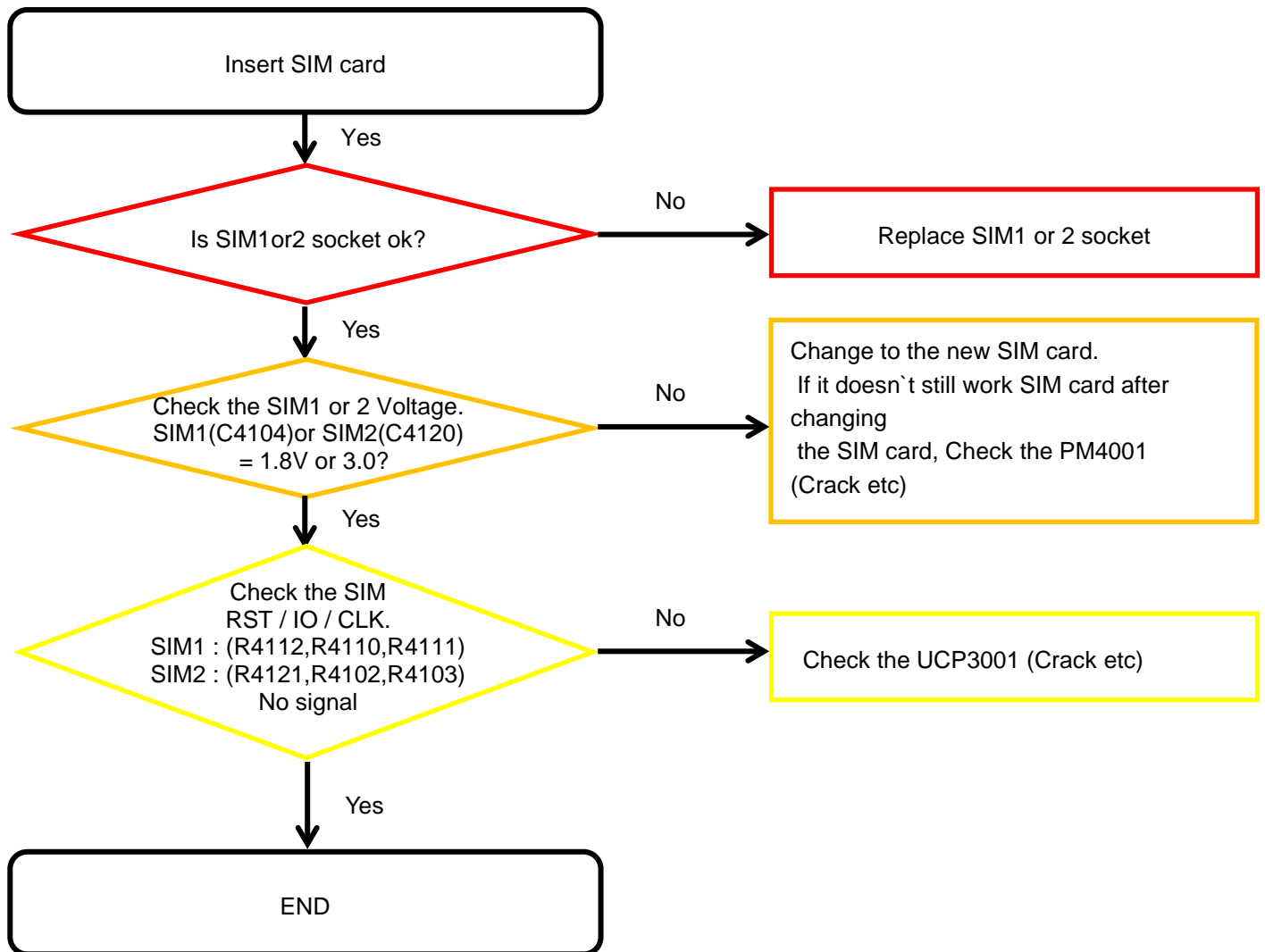
8. Level 3 Repair

8-4-2. Initial



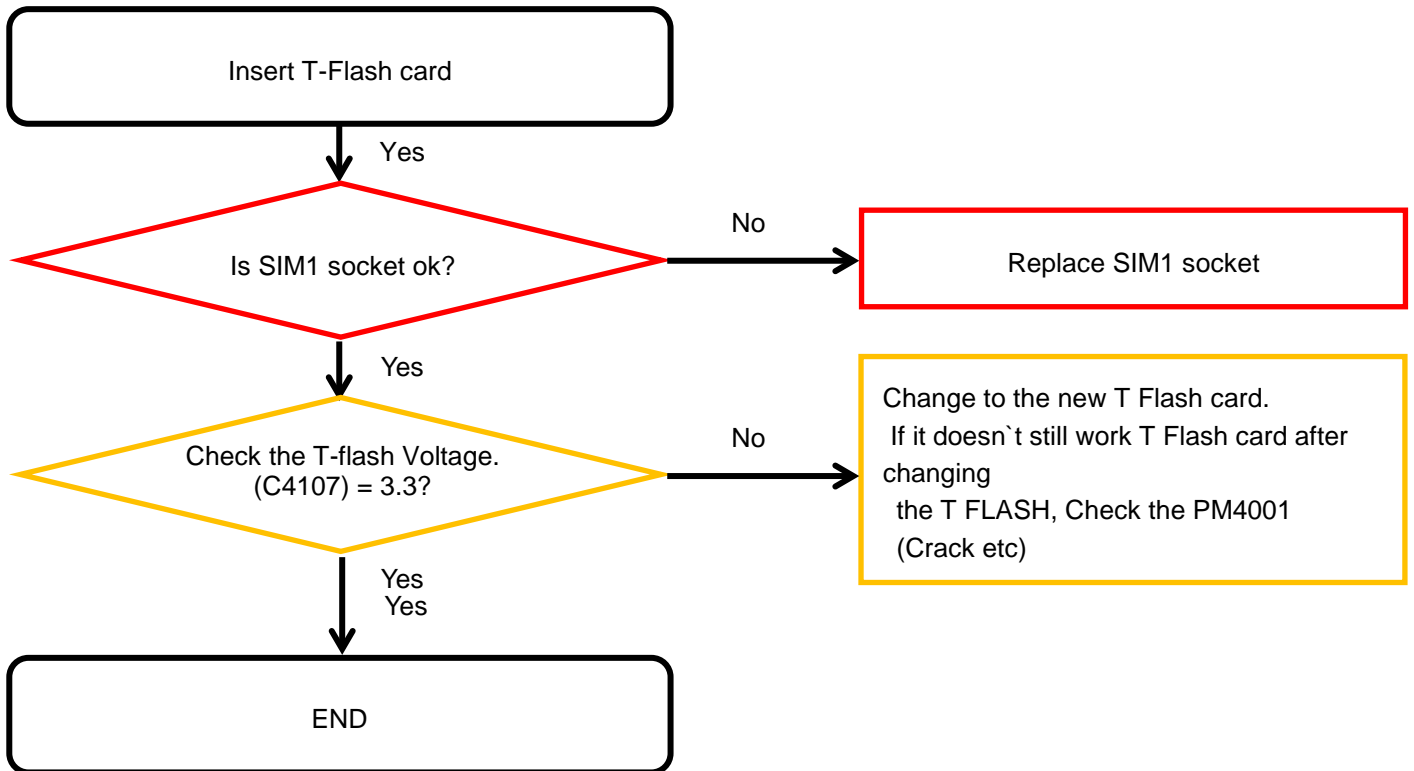
8. Level 3 Repair

8-4-3. SIM Part



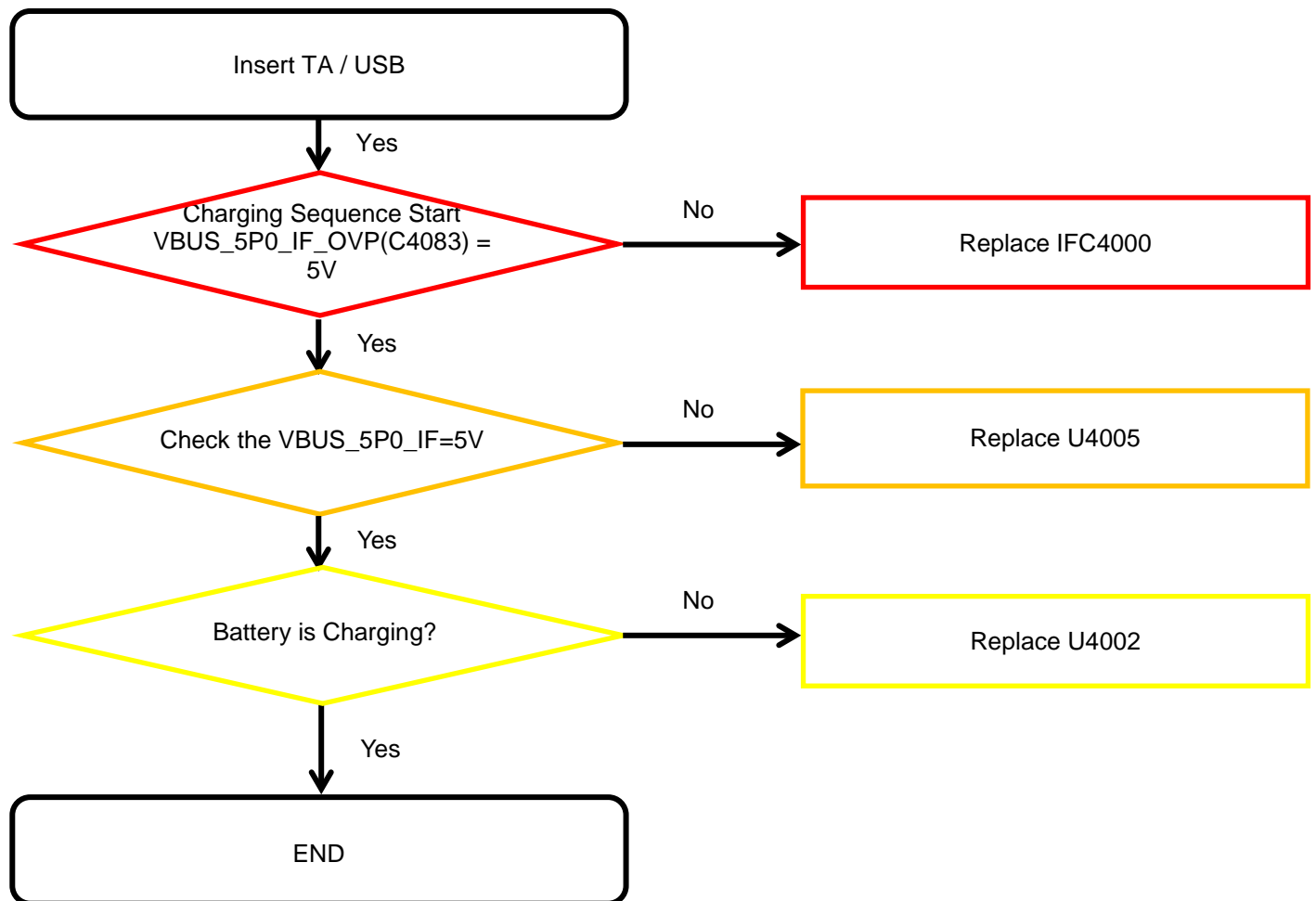
8. Level 3 Repair

8-4-4. T-Flash Part



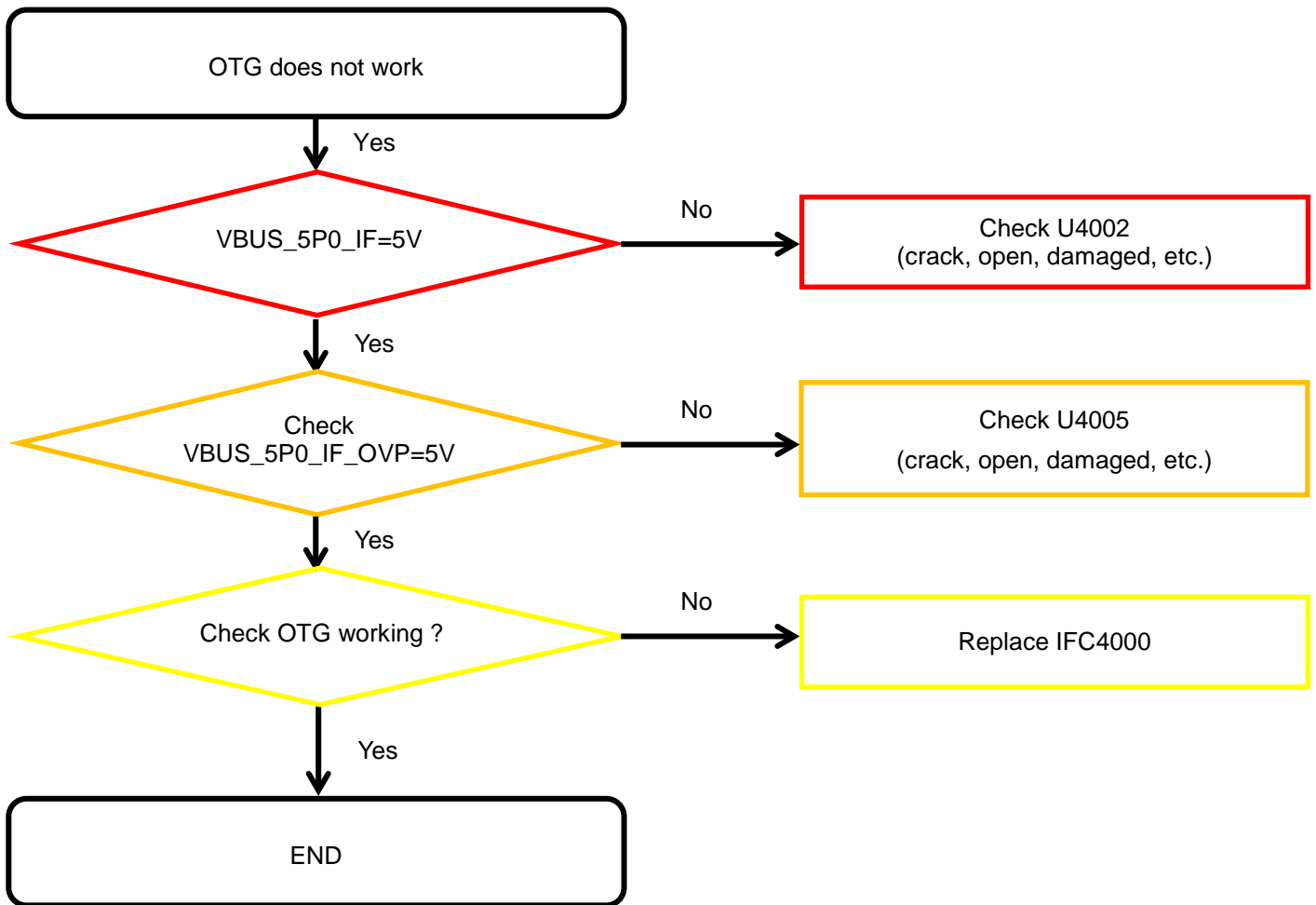
8. Level 3 Repair

8-4-5. Charging Part



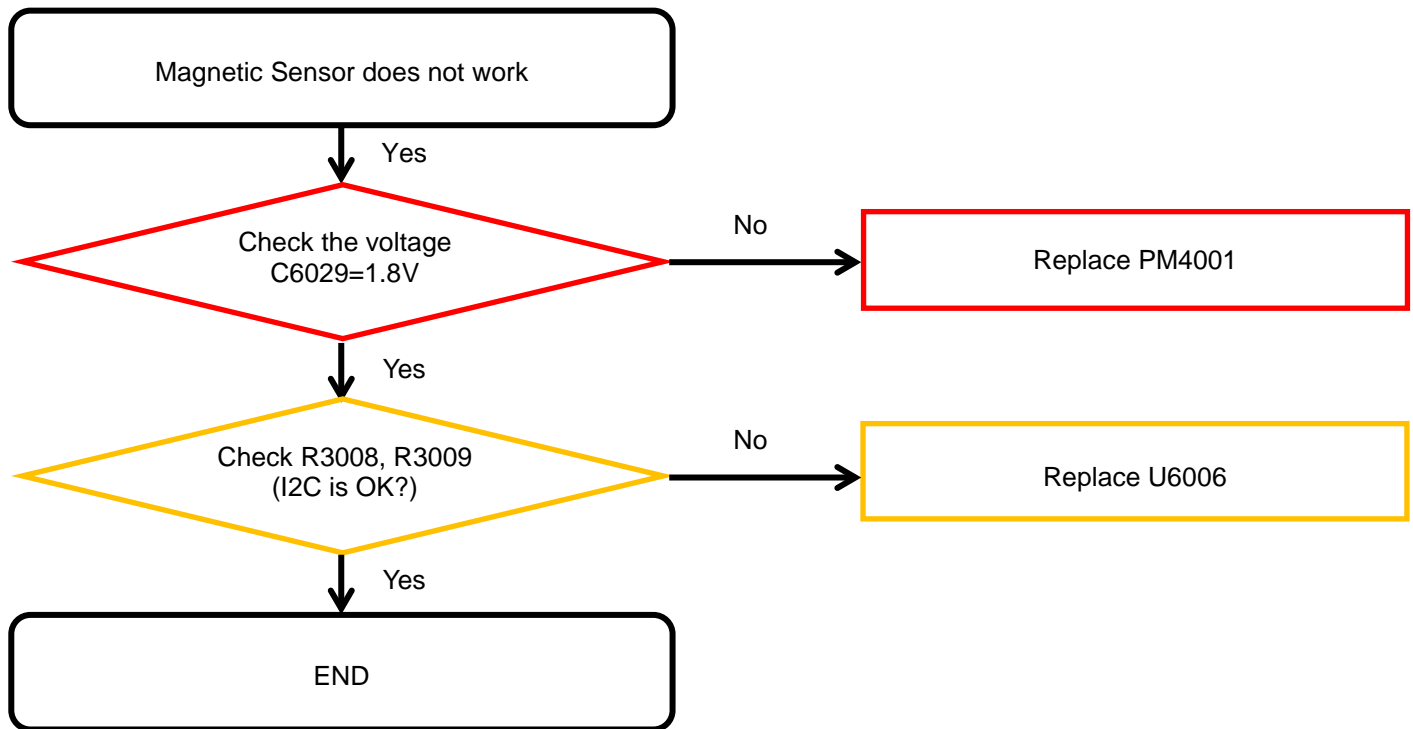
8. Level 3 Repair

8-4-6. OTG



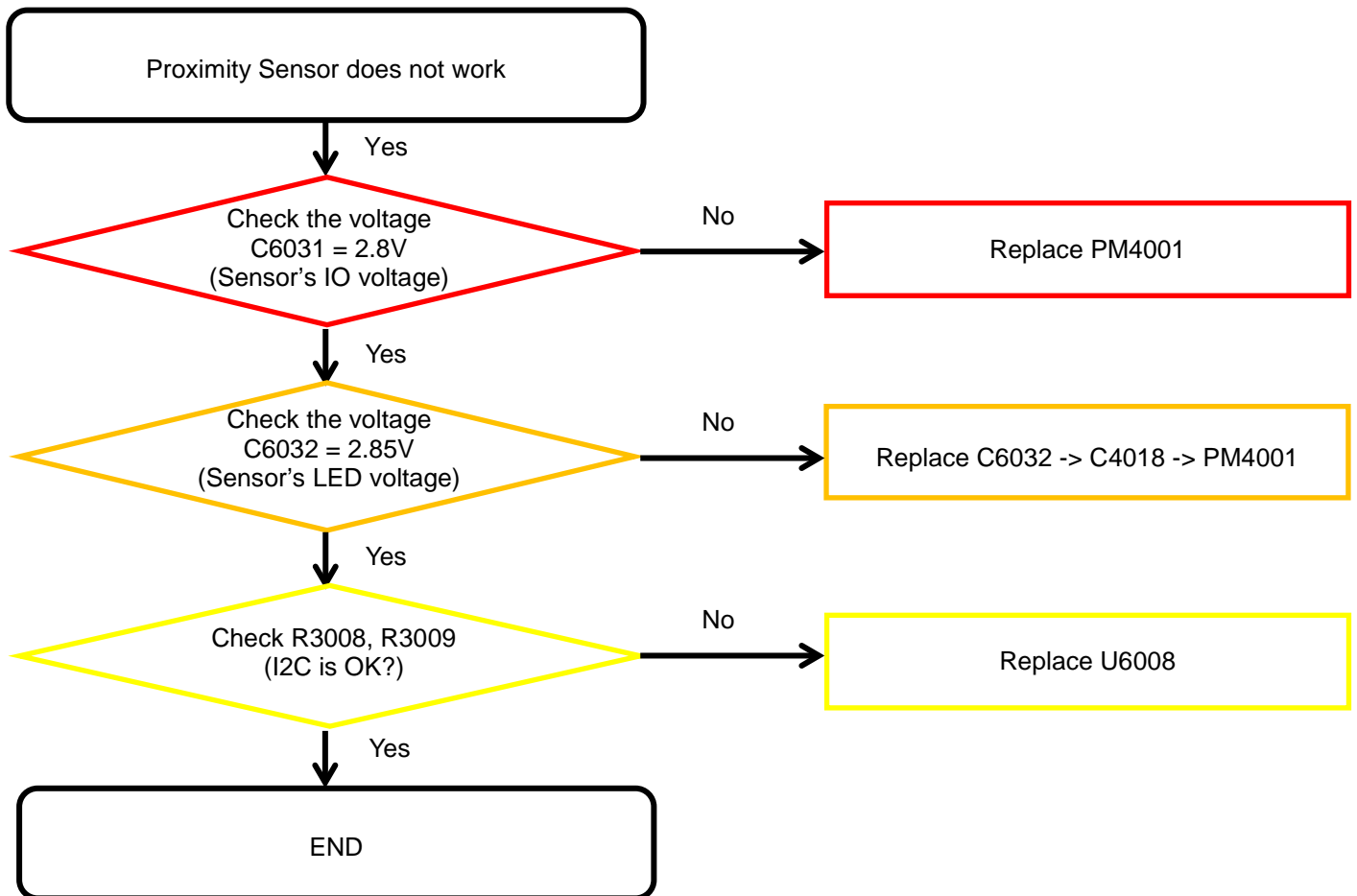
8. Level 3 Repair

8-4-7-1. Accel Sensor



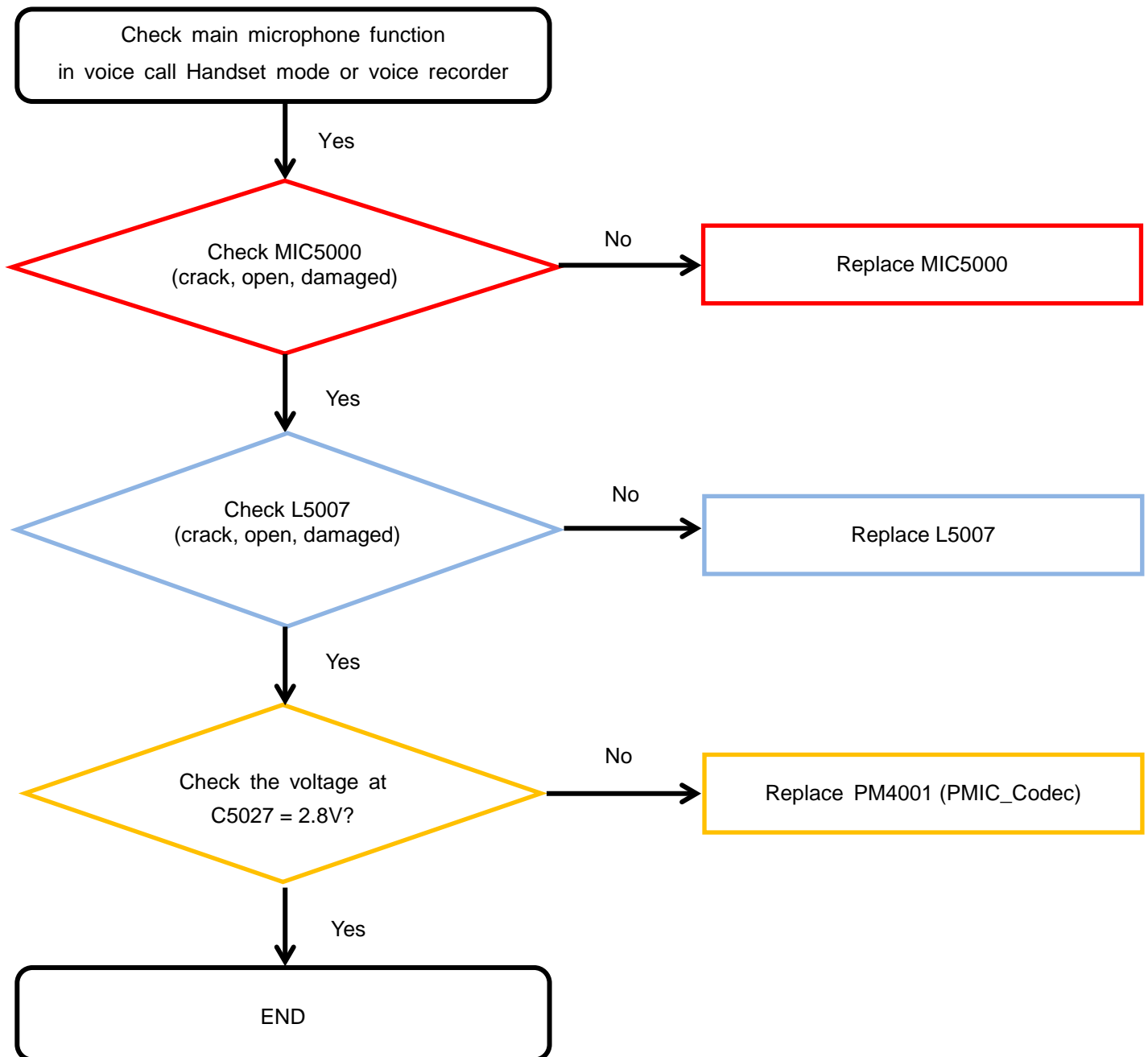
8. Level 3 Repair

8-4-7-2. Proximity sensor



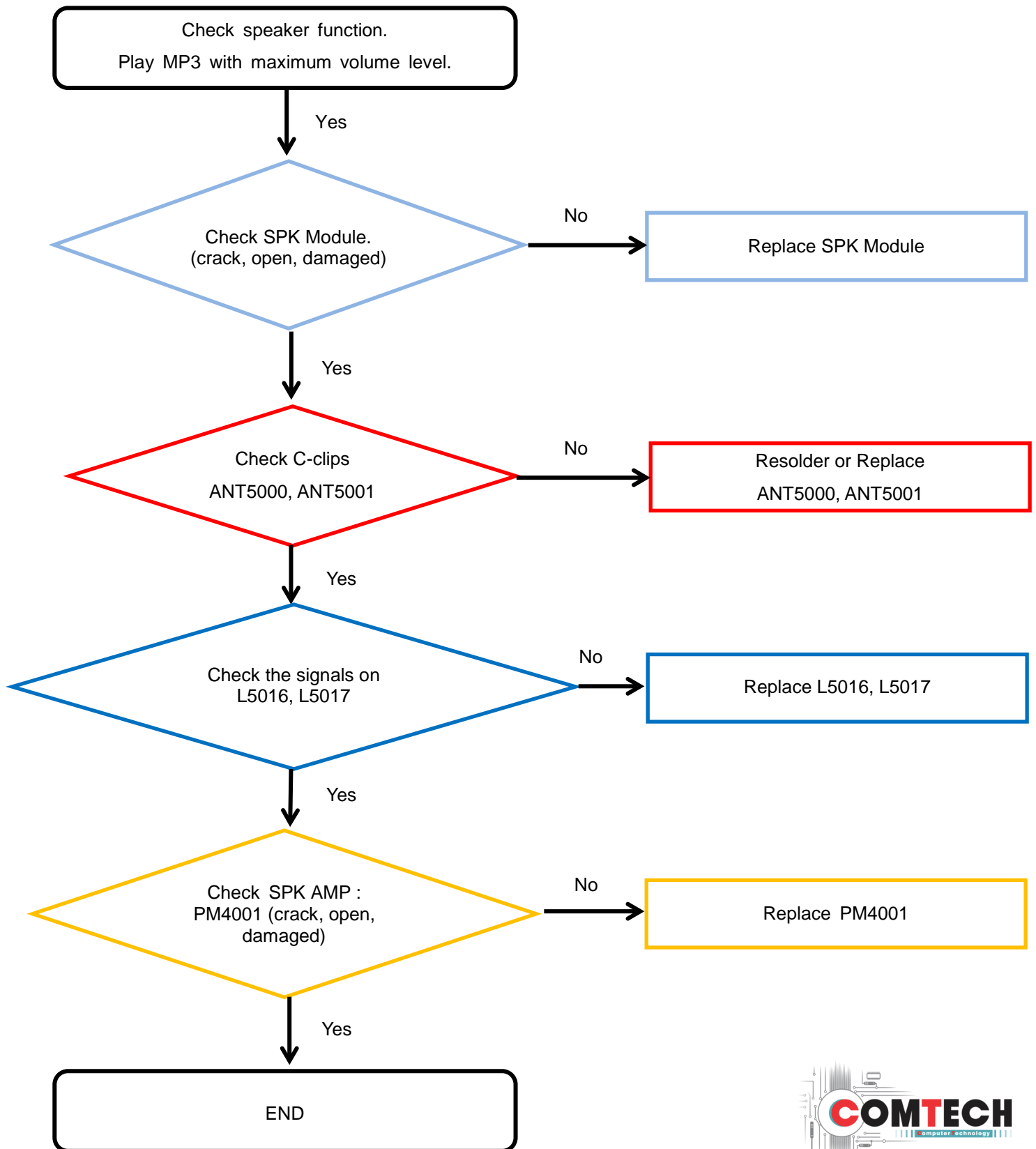
8. Level 3 Repair

8-4-8. Microphone Part - Main MIC



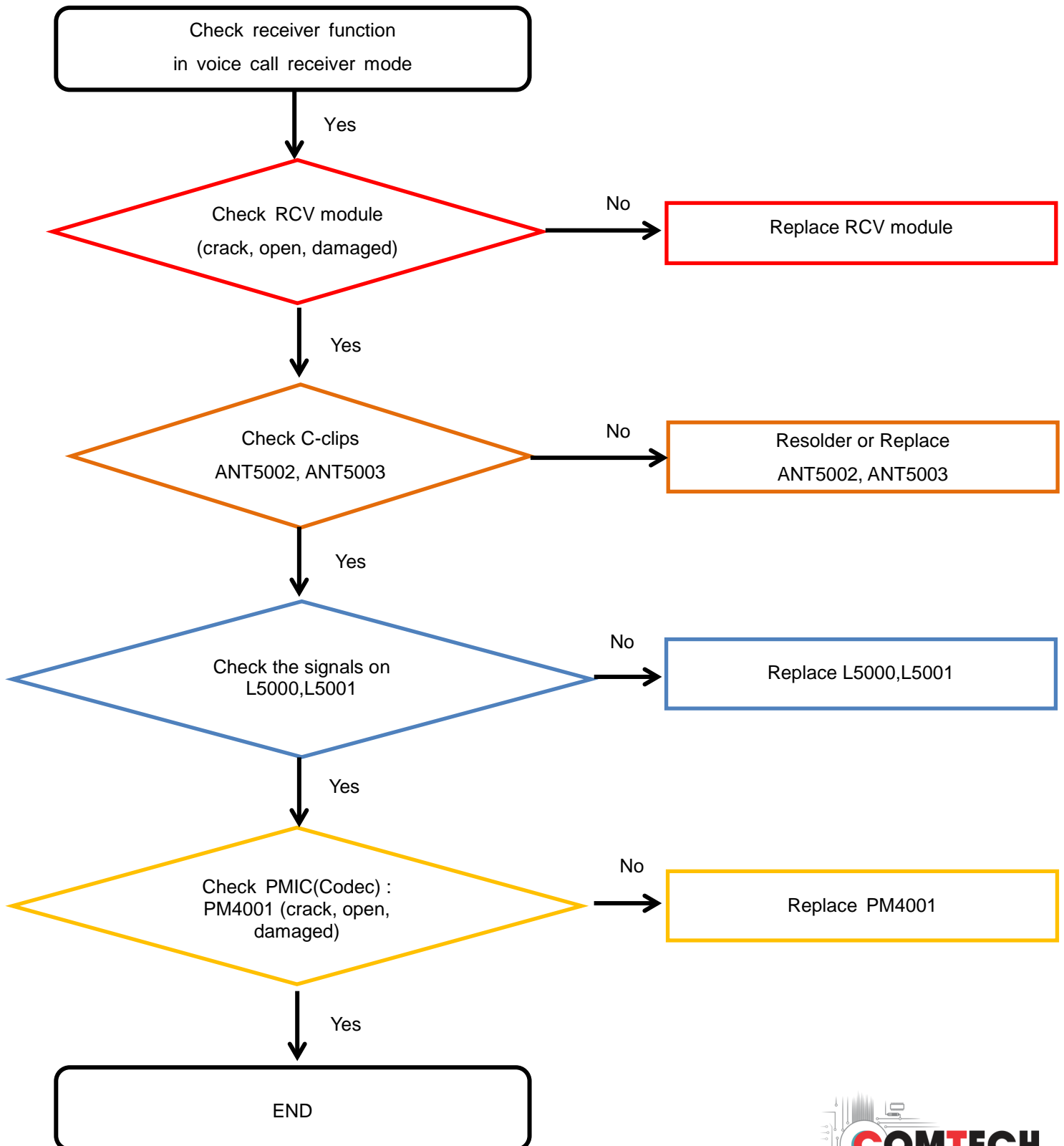
8. Level 3 Repair

8-4-9. Speaker Part



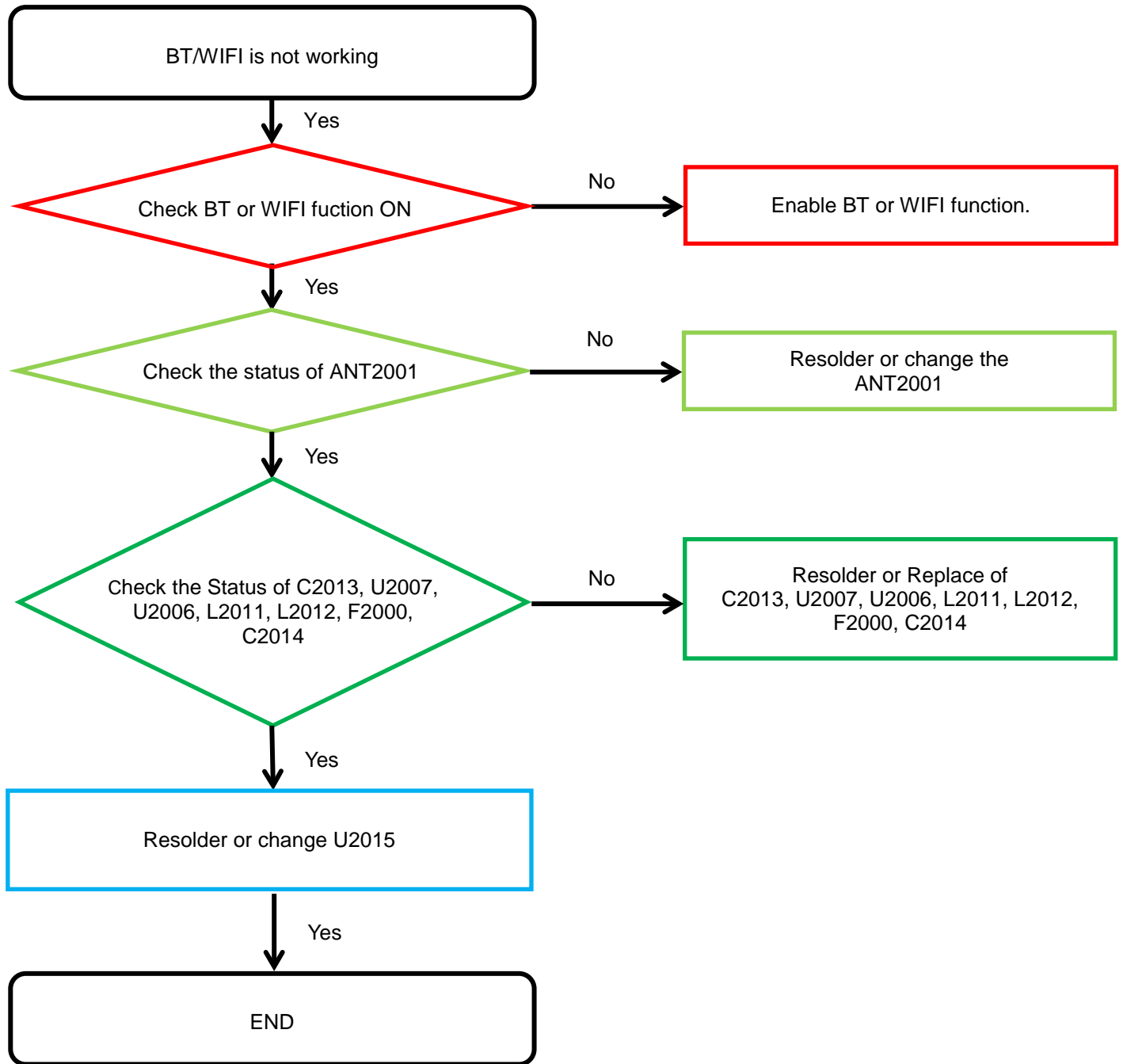
8. Level 3 Repair

8-4-10. Receiver Part



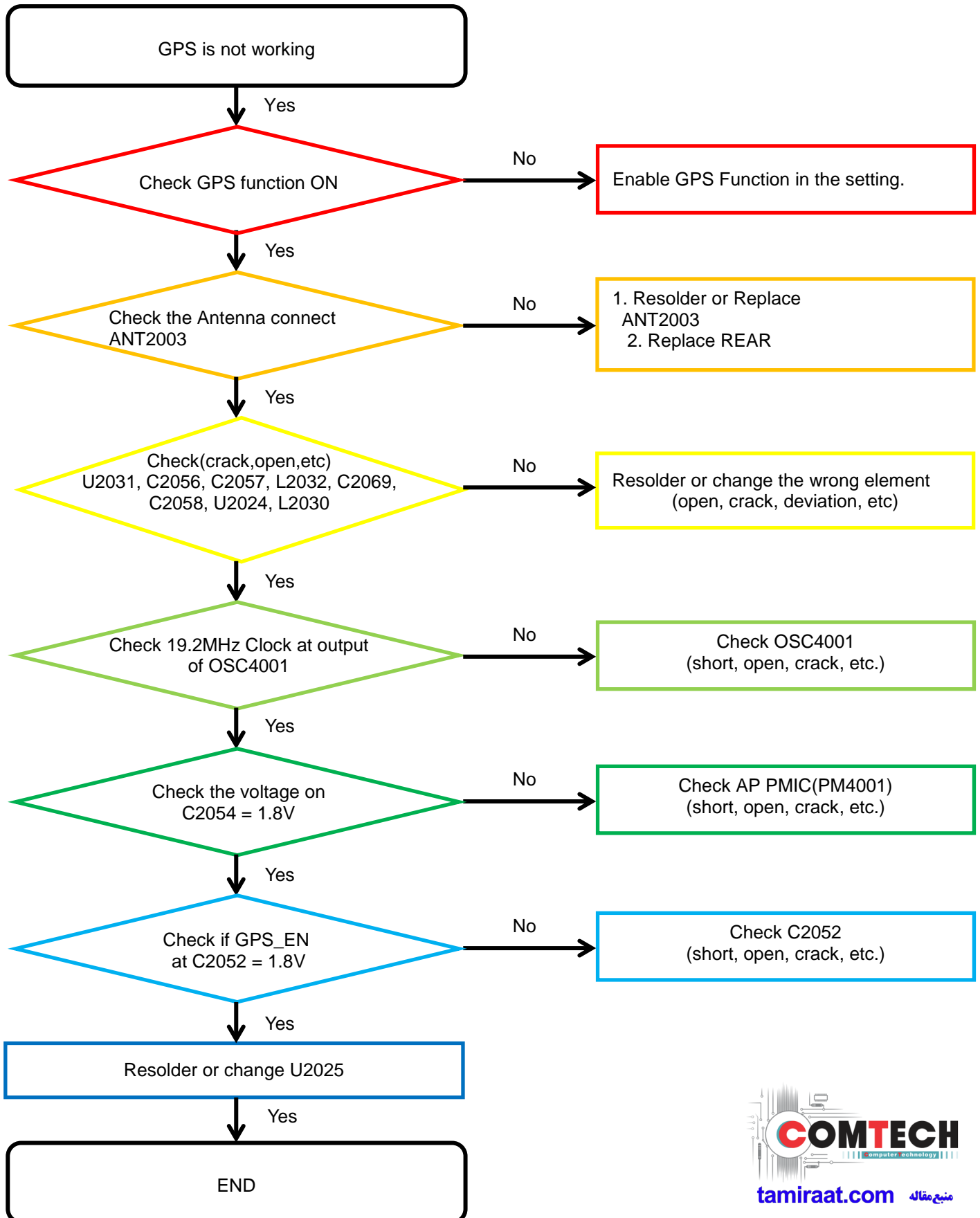
8. Level 3 Repair

8-4-11. BT/WIFI



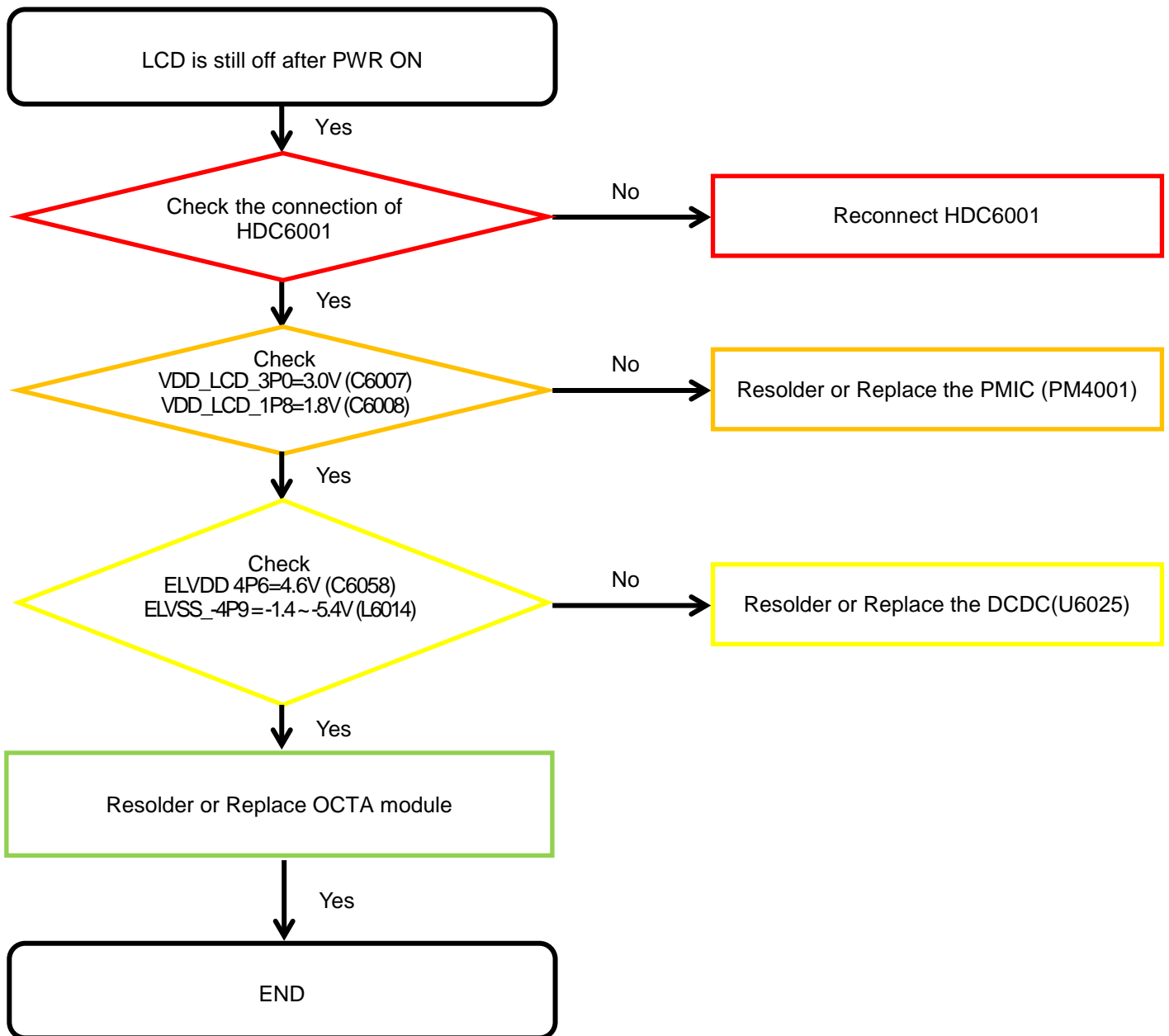
8. Level 3 Repair

8-4-12. GPS



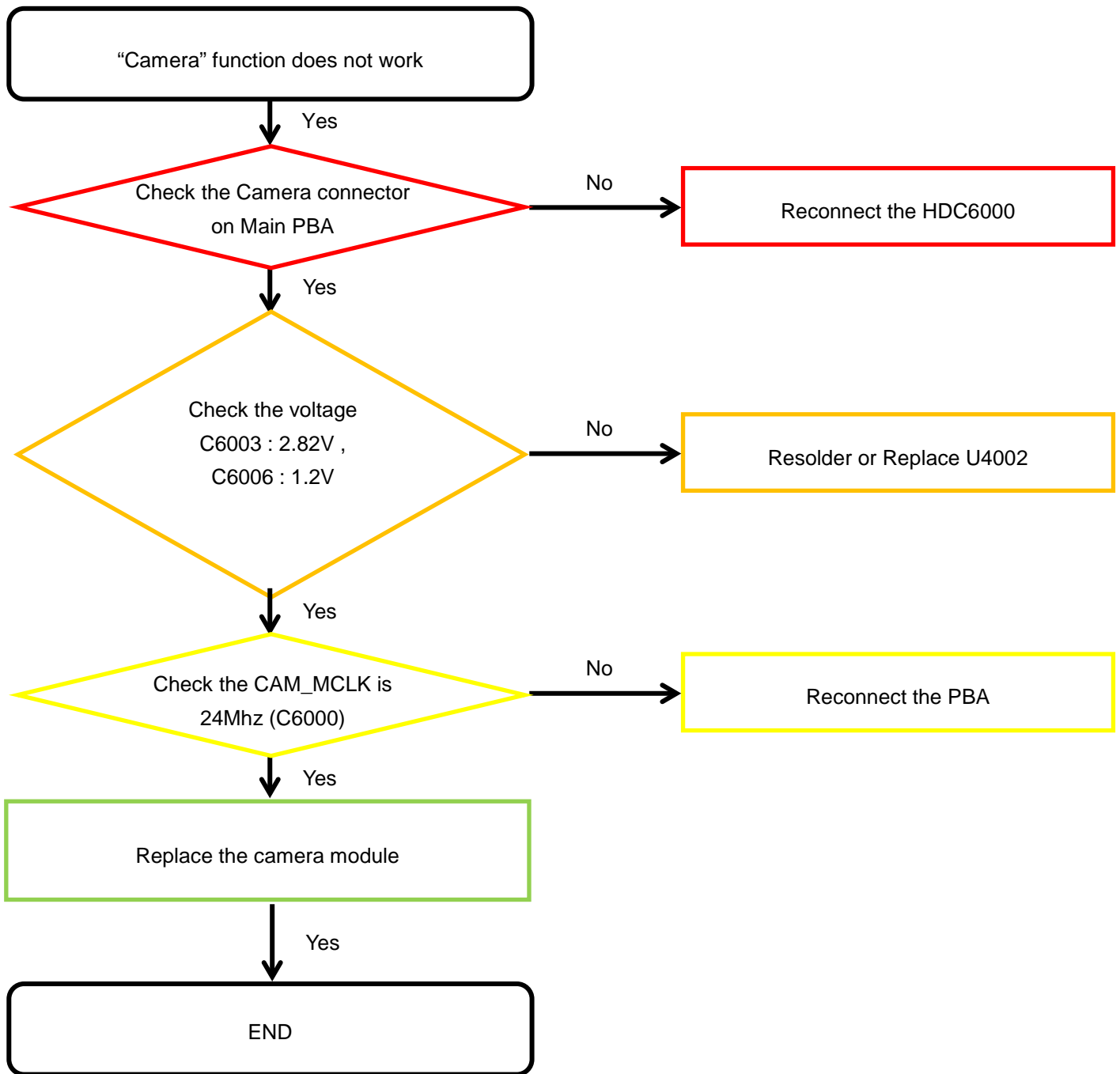
8. Level 3 Repair

8-4-13. Display



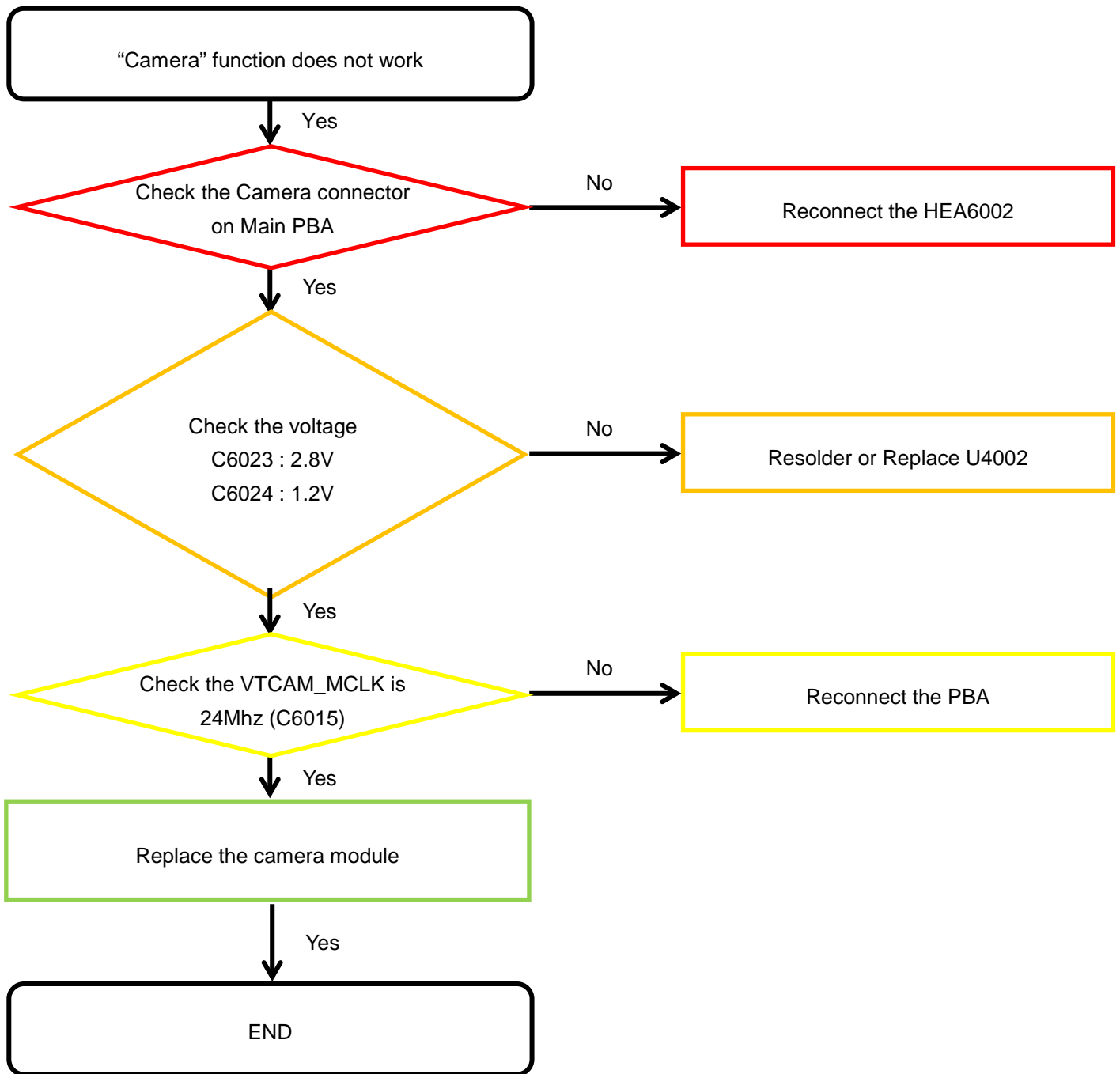
8. Level 3 Repair

8-4-14. Rear CAMERA



8. Level 3 Repair

8-4-15. Front CAMERA



8. Level 3 Repair

8-4-16. Motor

