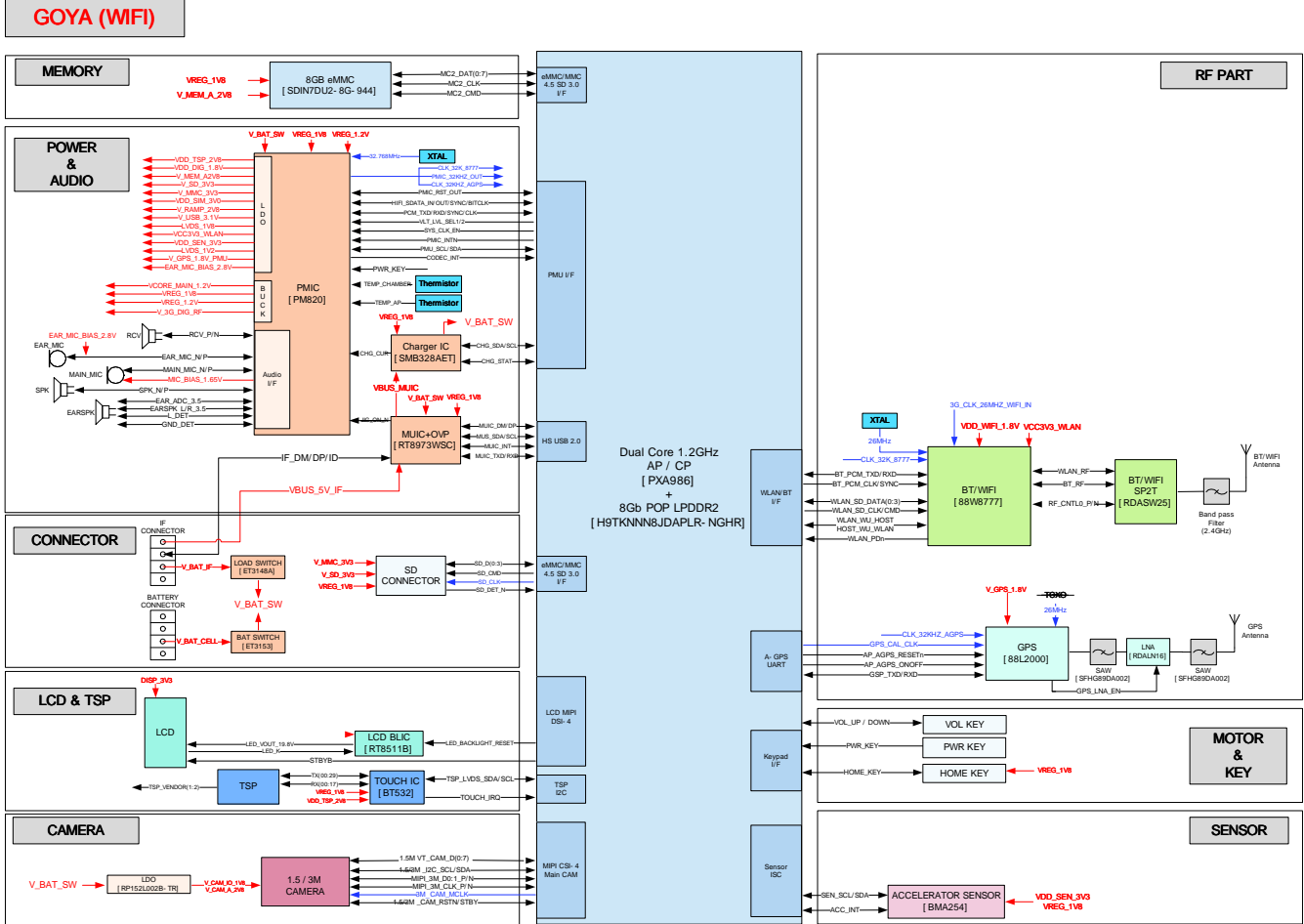


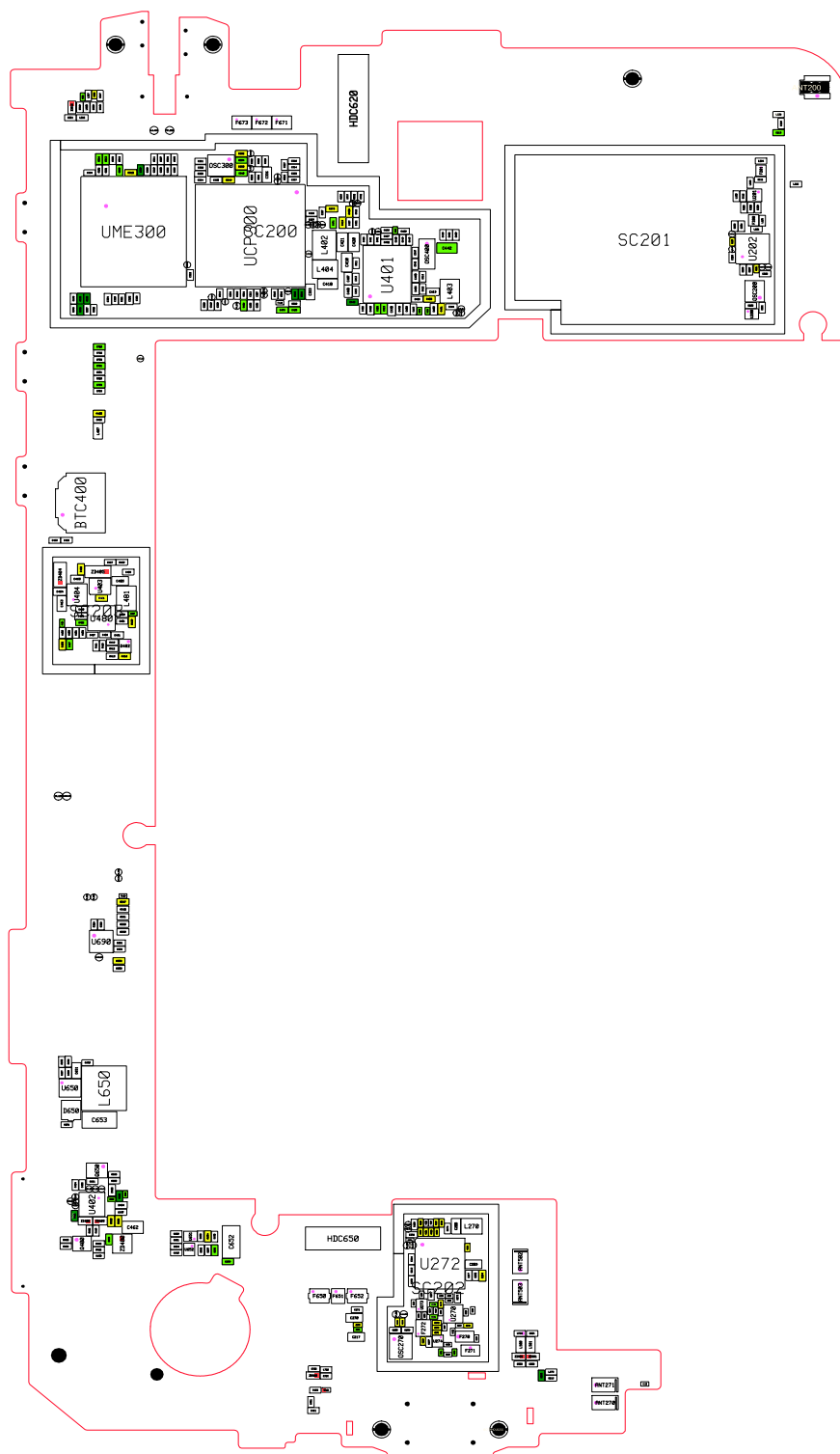
# 8. Level 3 Repair

## 8-1. Block Diagram



## 8-2. PCB Diagrams

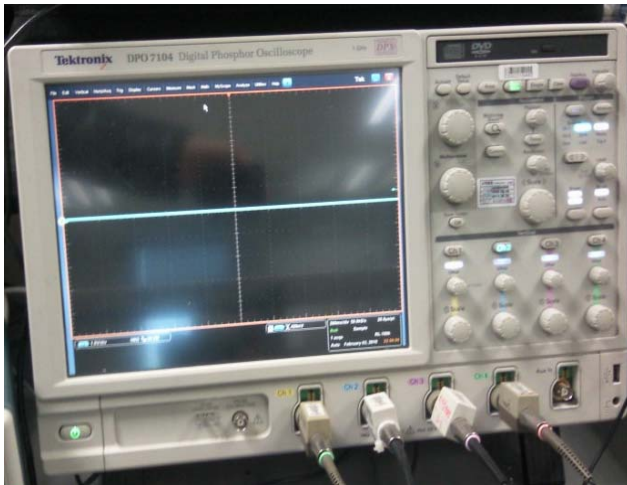
### 8-2-1. Top





### 8-3. Flow Chart of Troubleshooting

#### Equipments



↑ Oscilloscope



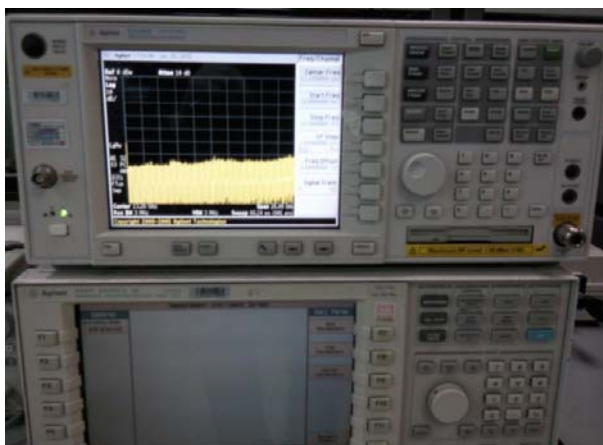
↑ Digital Multimeter



↑ Power Supply



↑ + driver, ESD Safe Tweezer

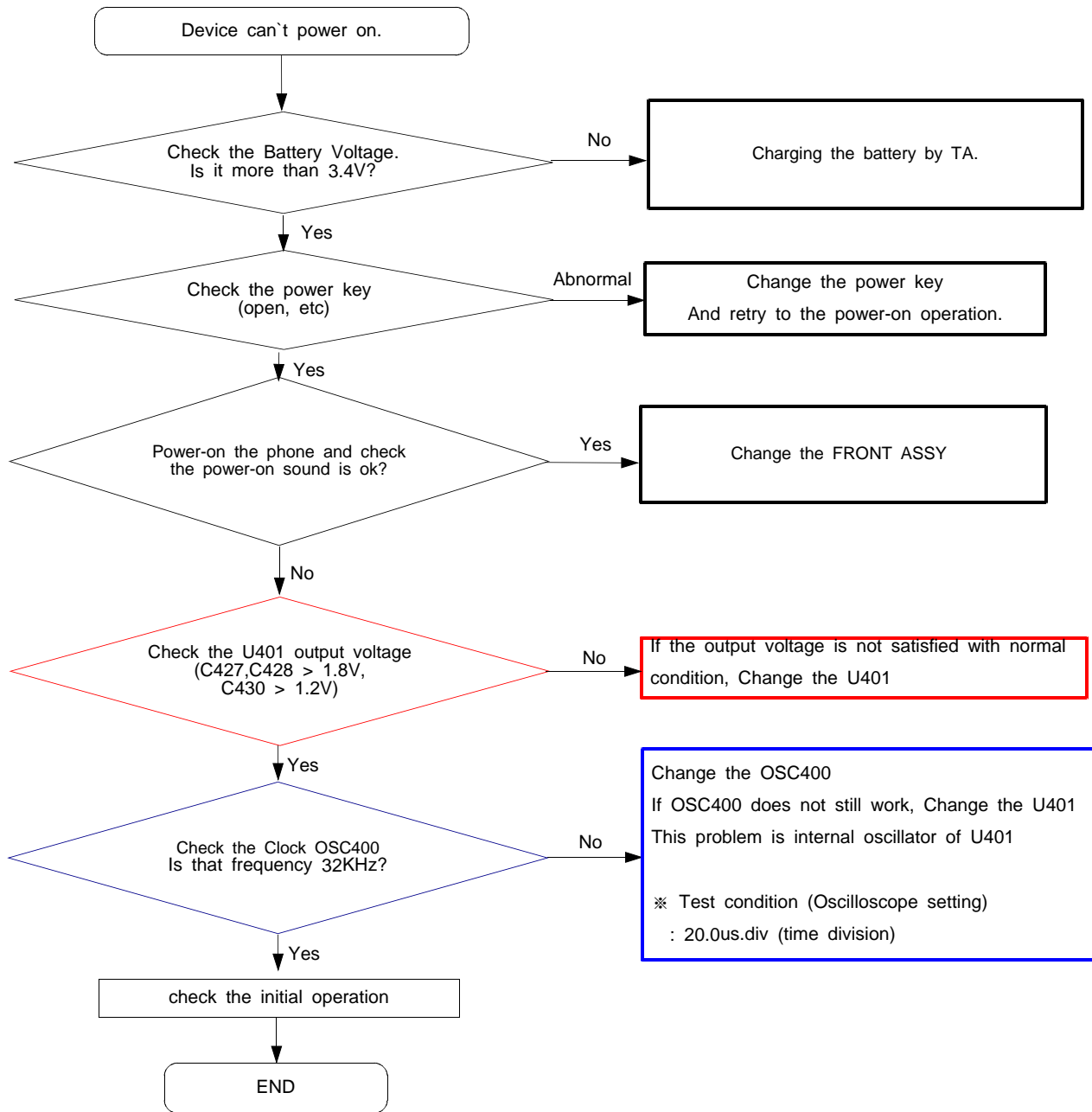


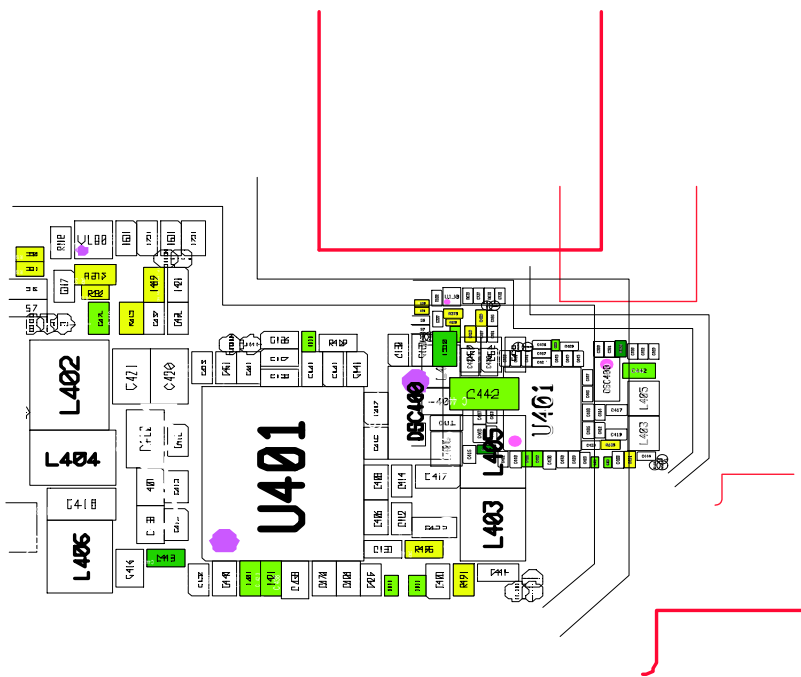
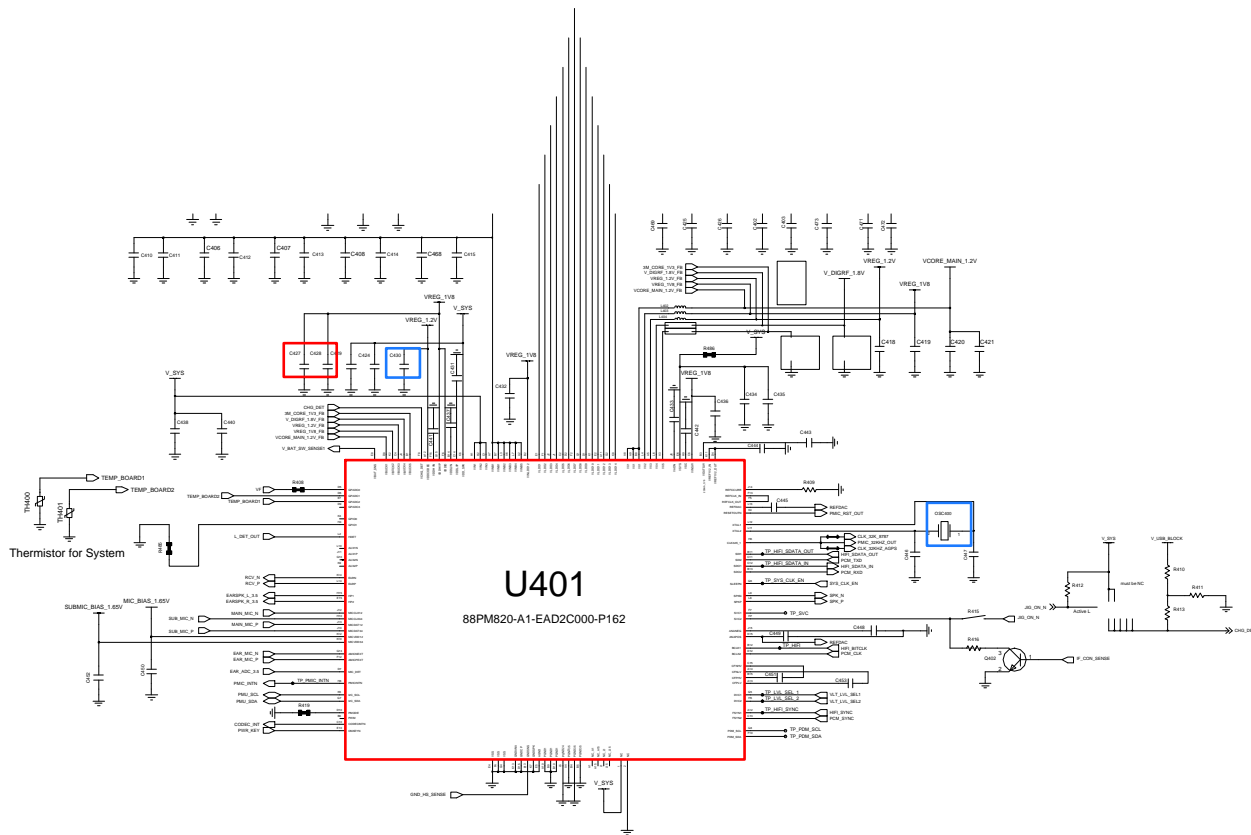
↑ 8960 & Spectrum Analyzer



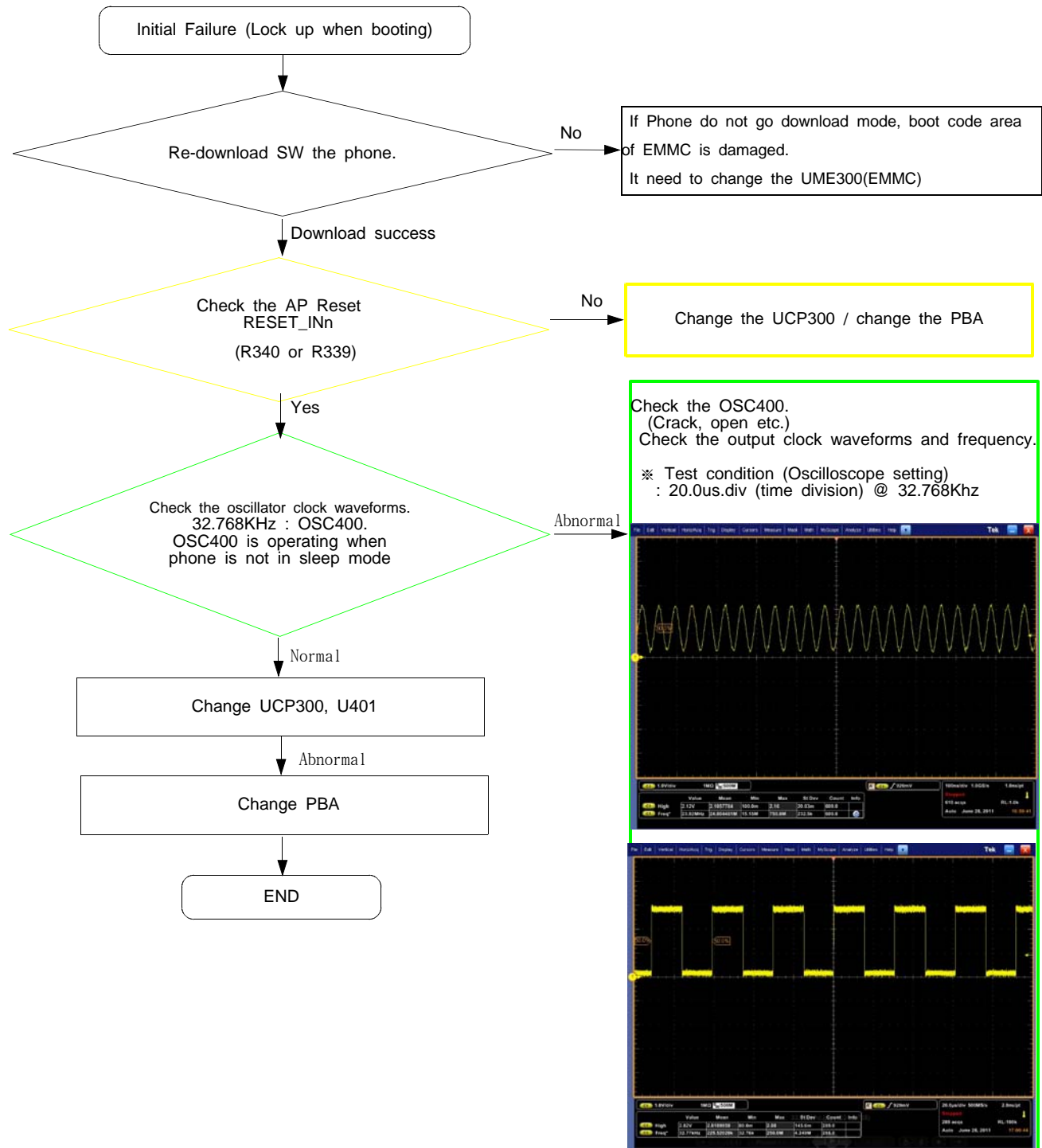
↑ Soldering iron

8-3-1. Power On



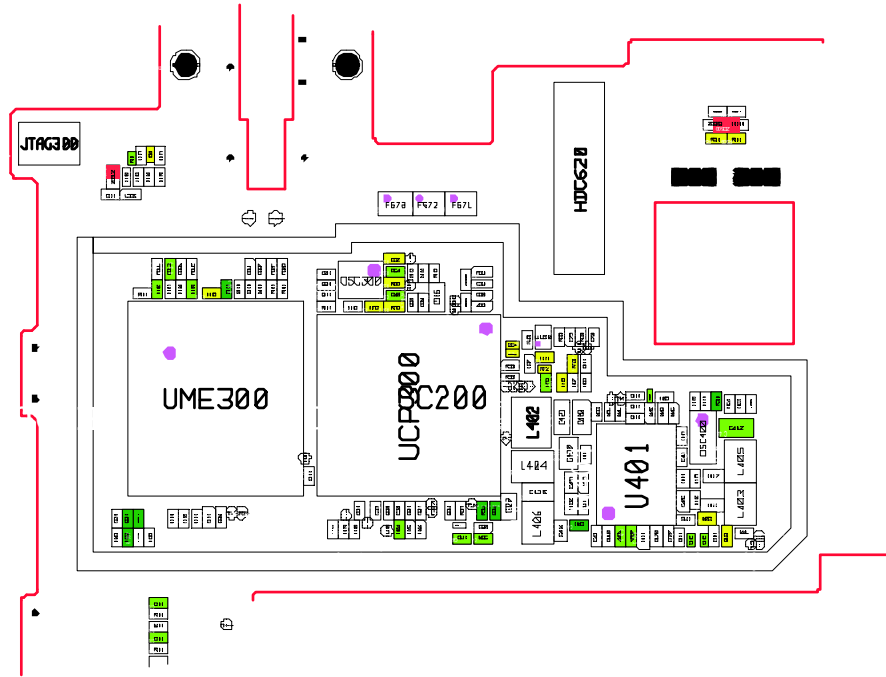


8-3-2. Initial (Lock up)

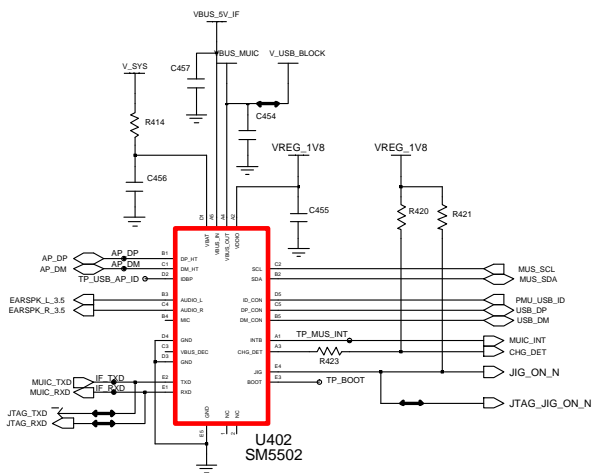
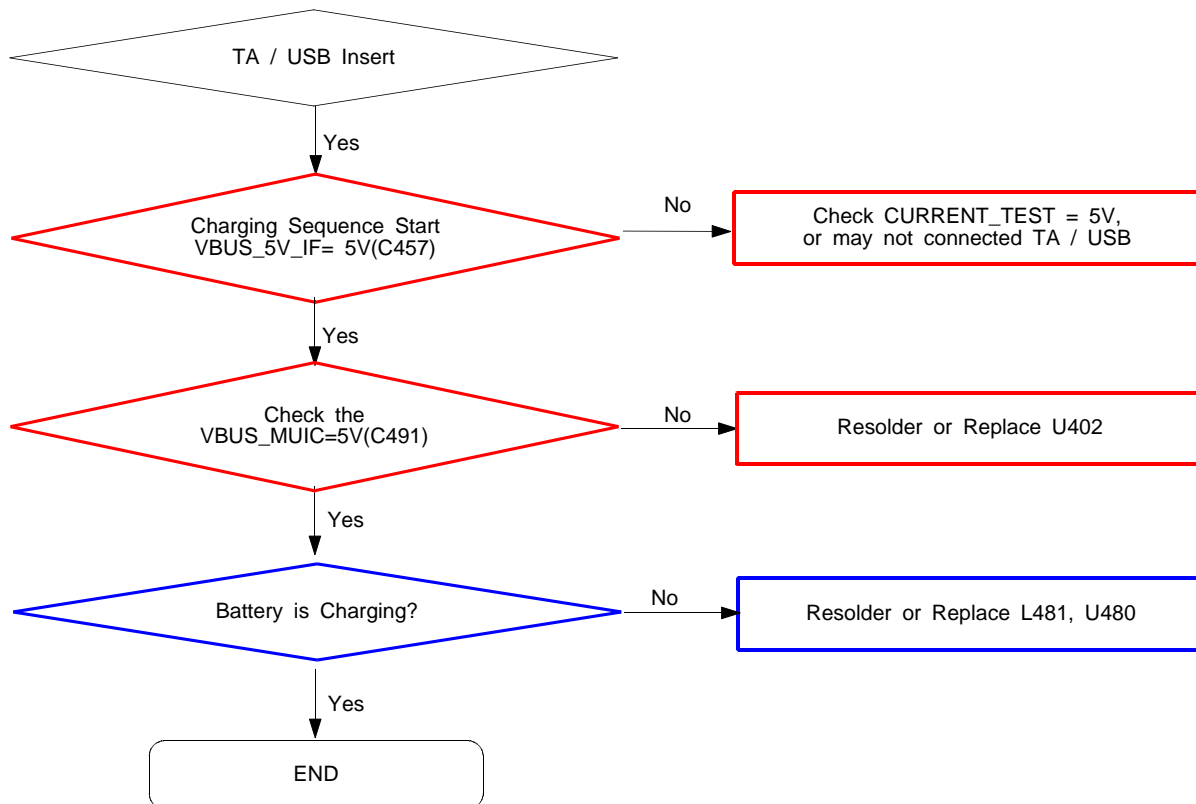




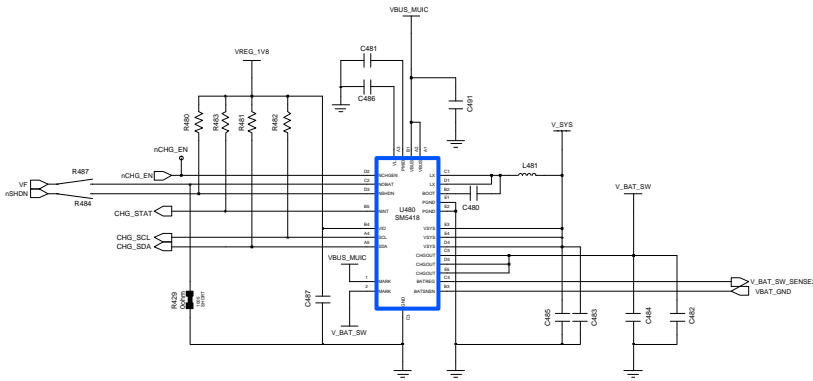




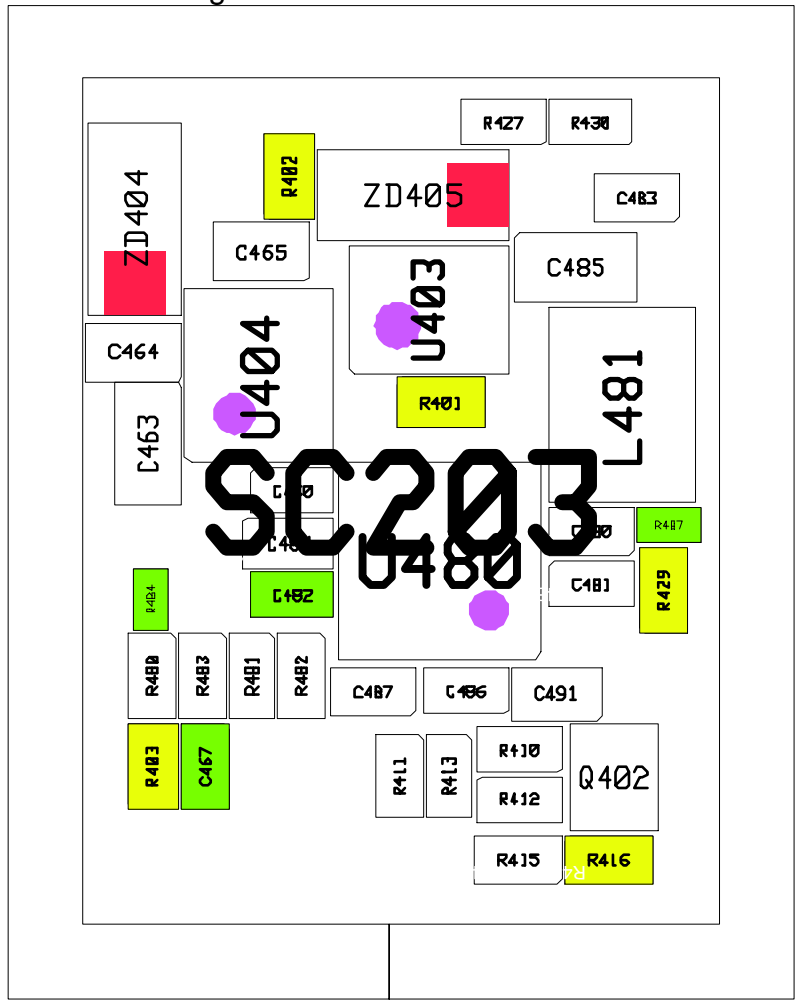
### 8-3-3. Charging Part



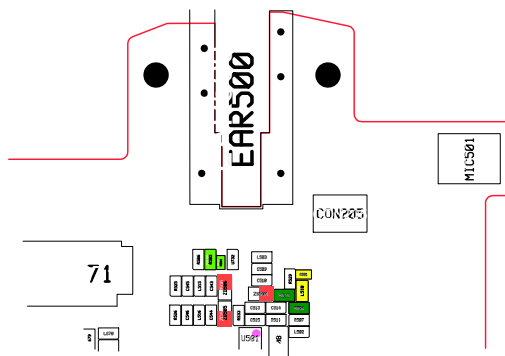
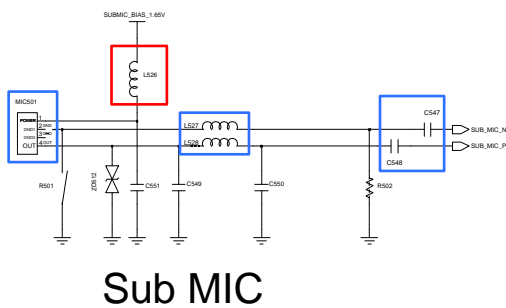
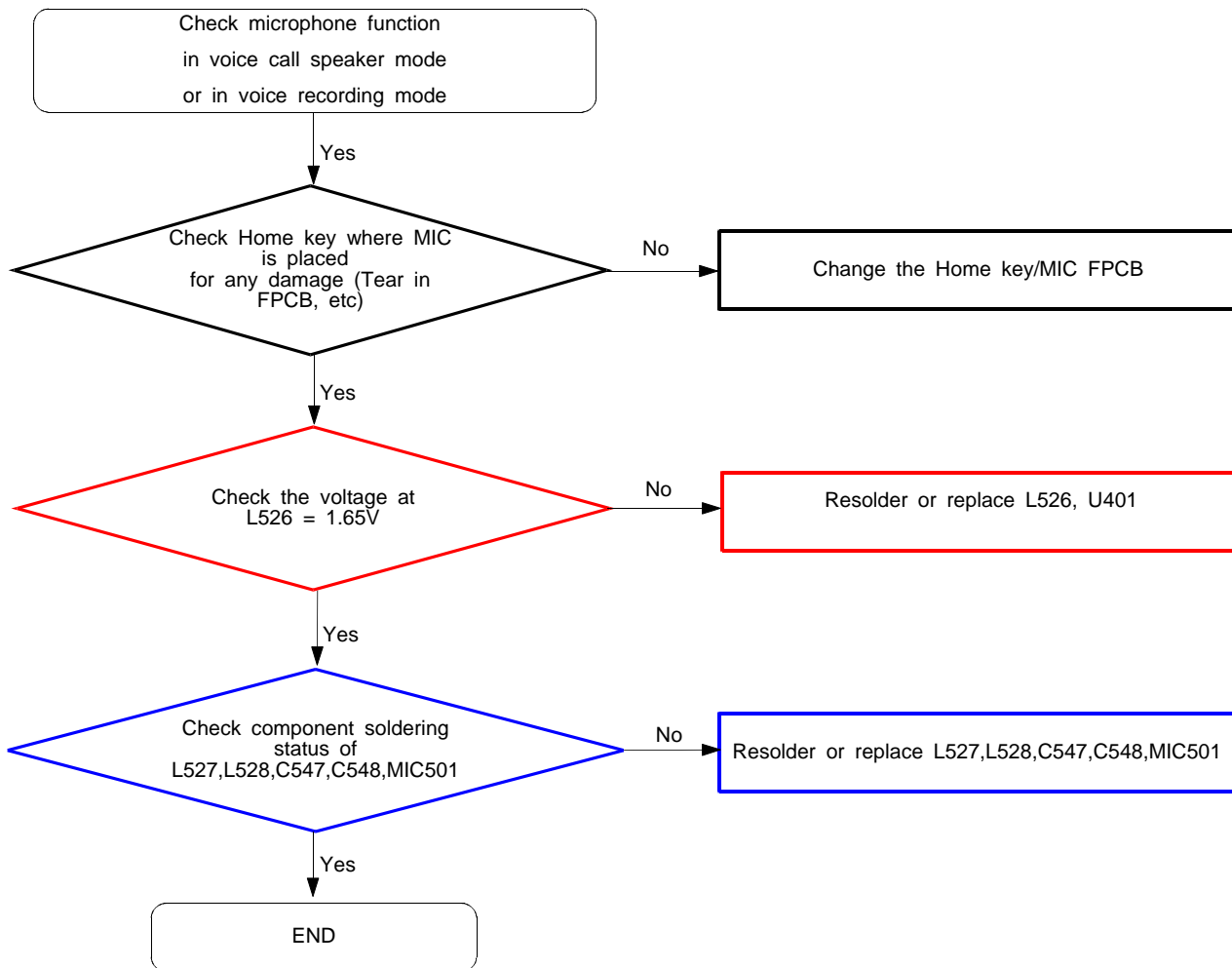
### MUIC / OVP



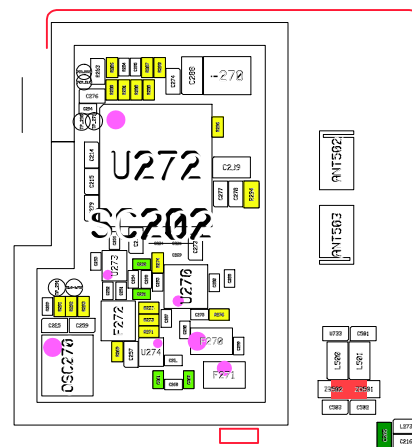
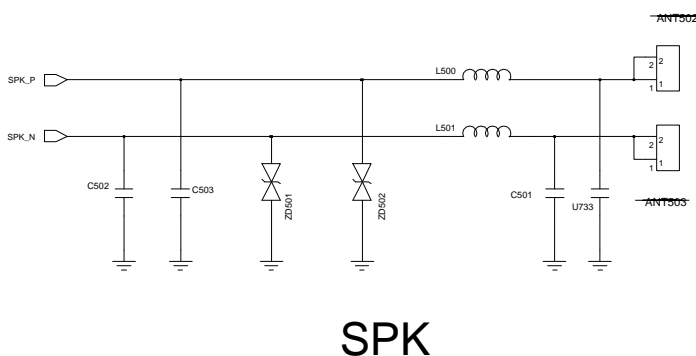
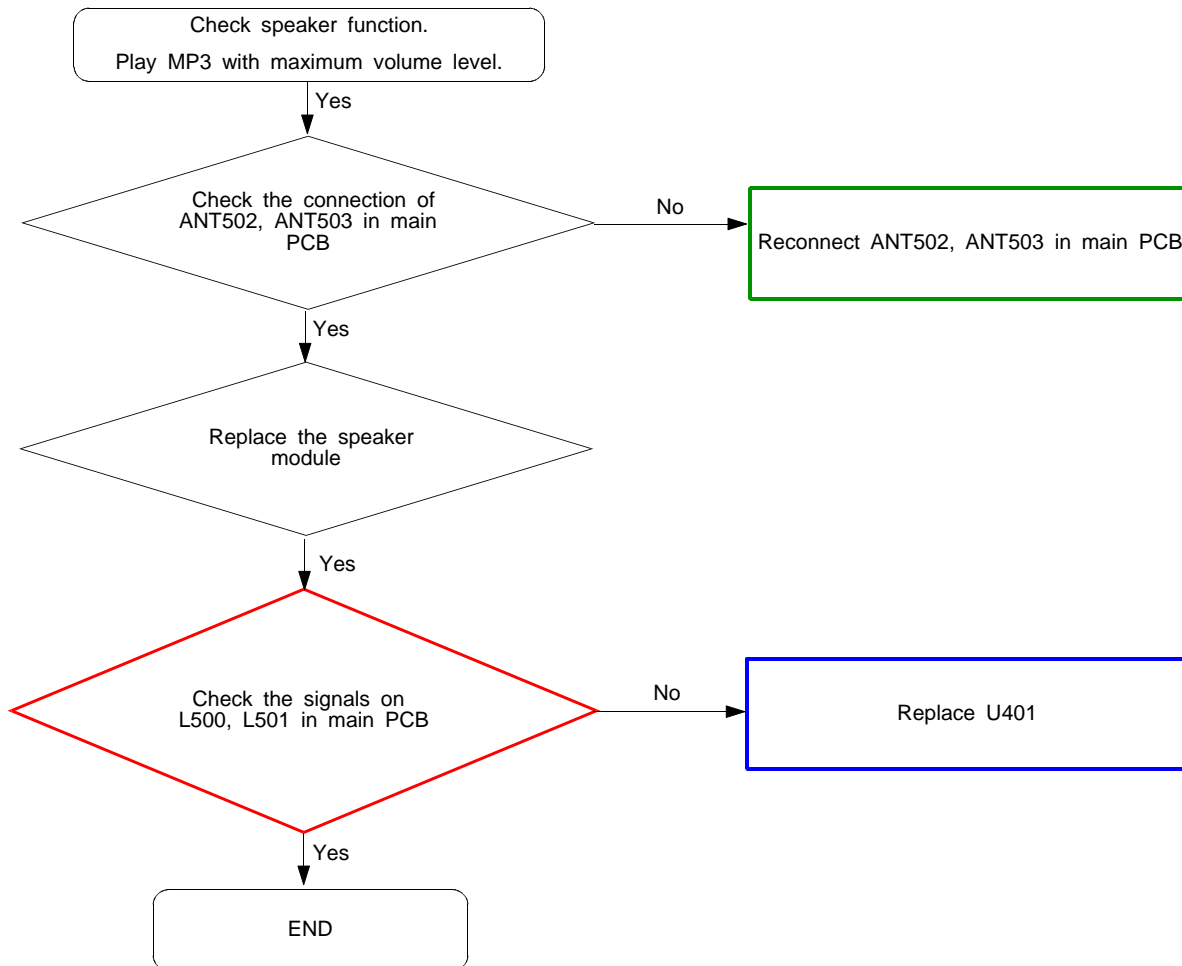
Charger



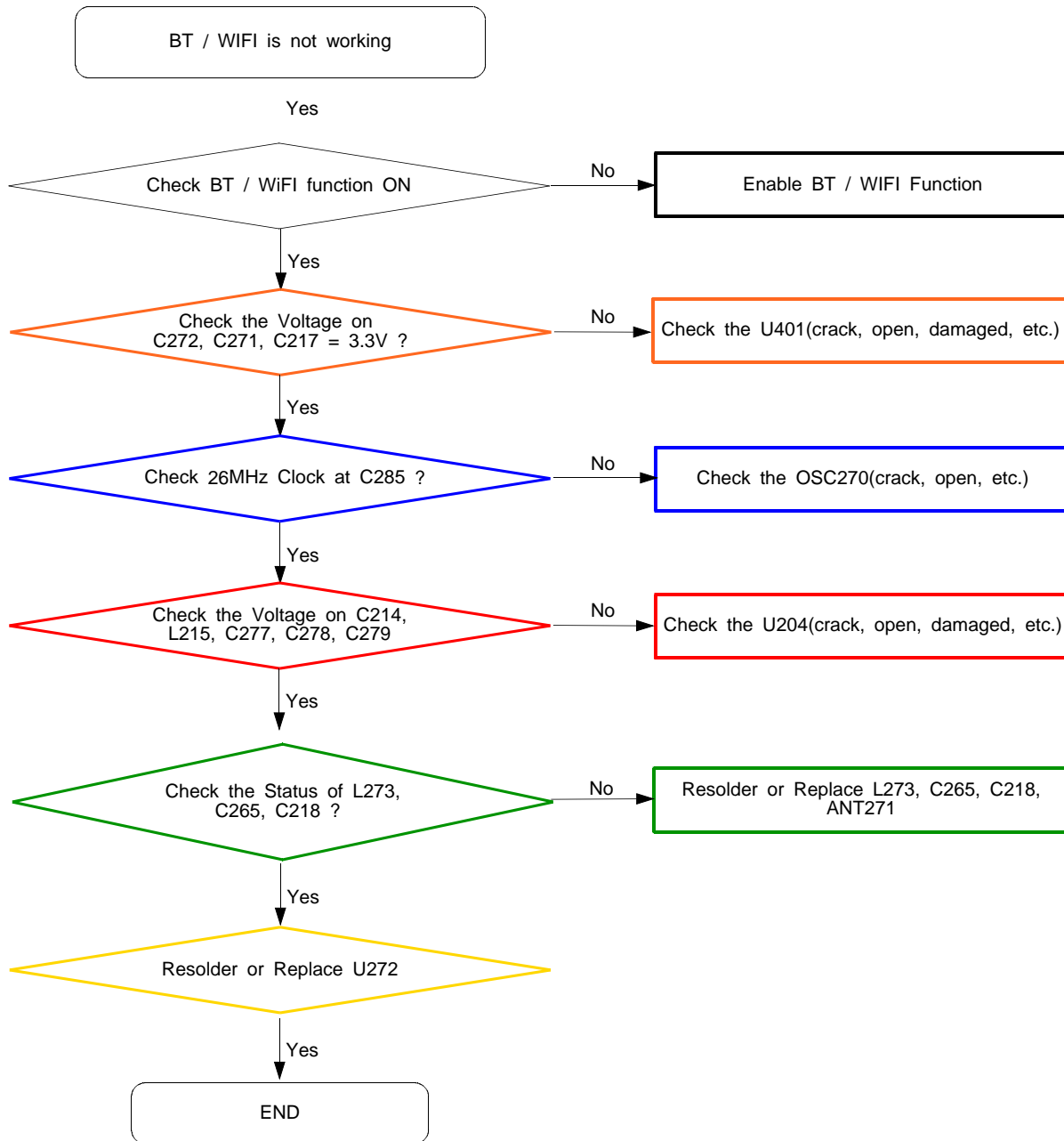
### 8-3-4. Microphone Part

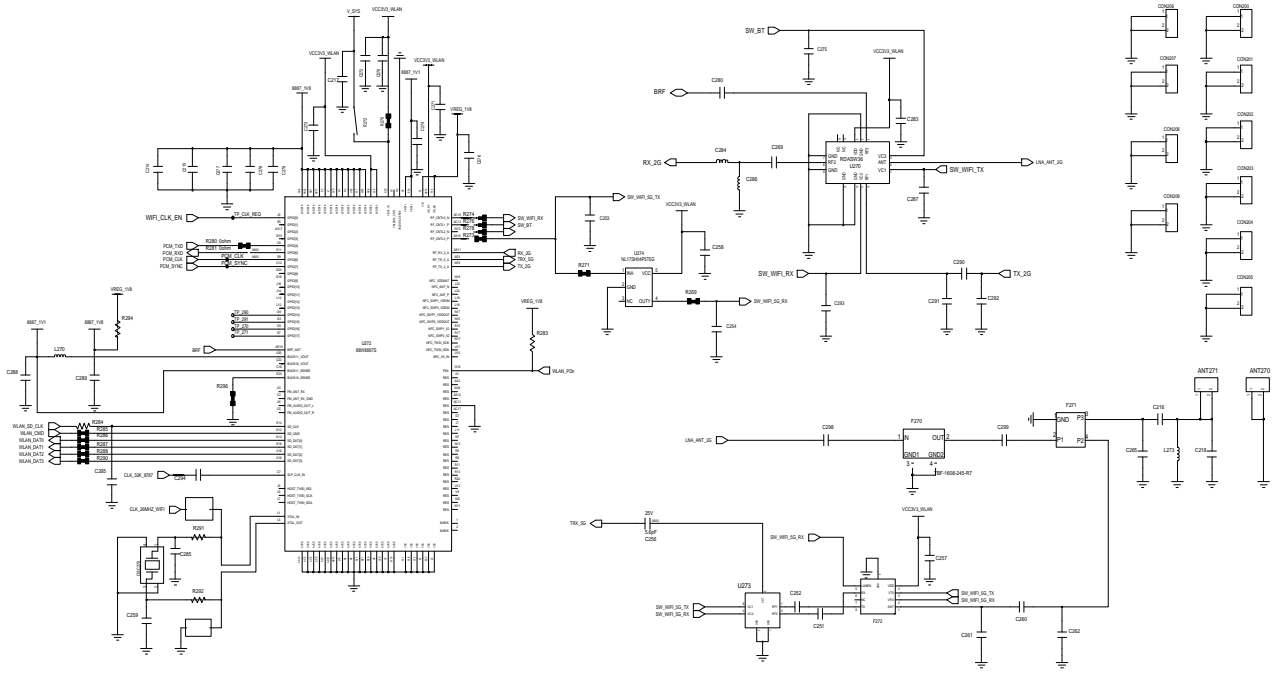


### 8-3-5. Speaker Part

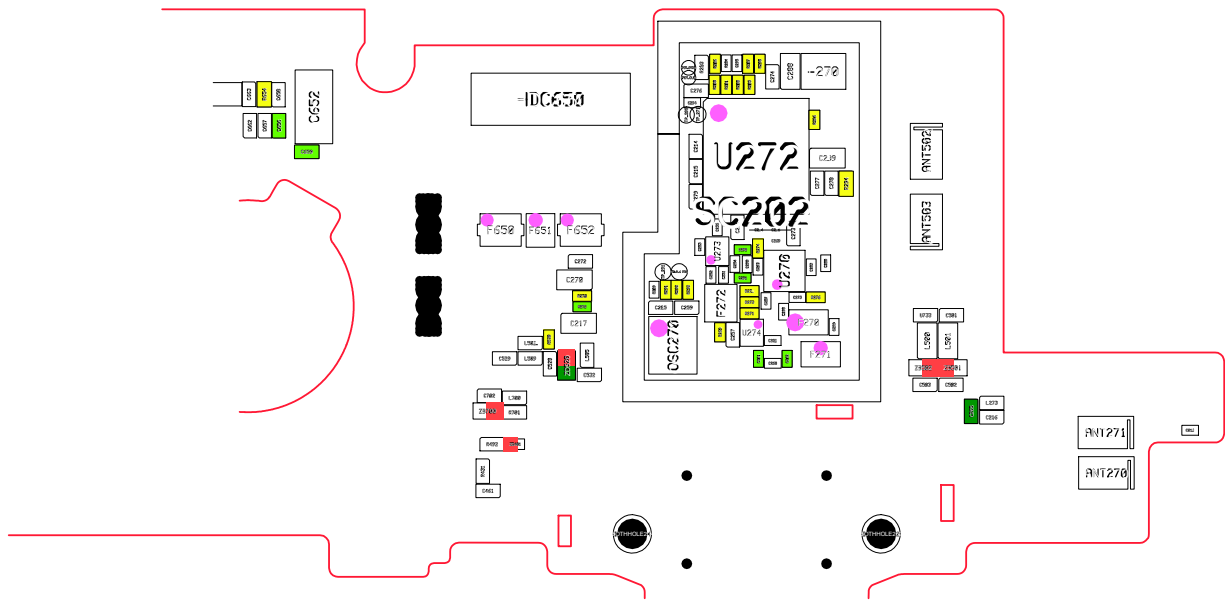


8-3-6. WIFI / BT Part

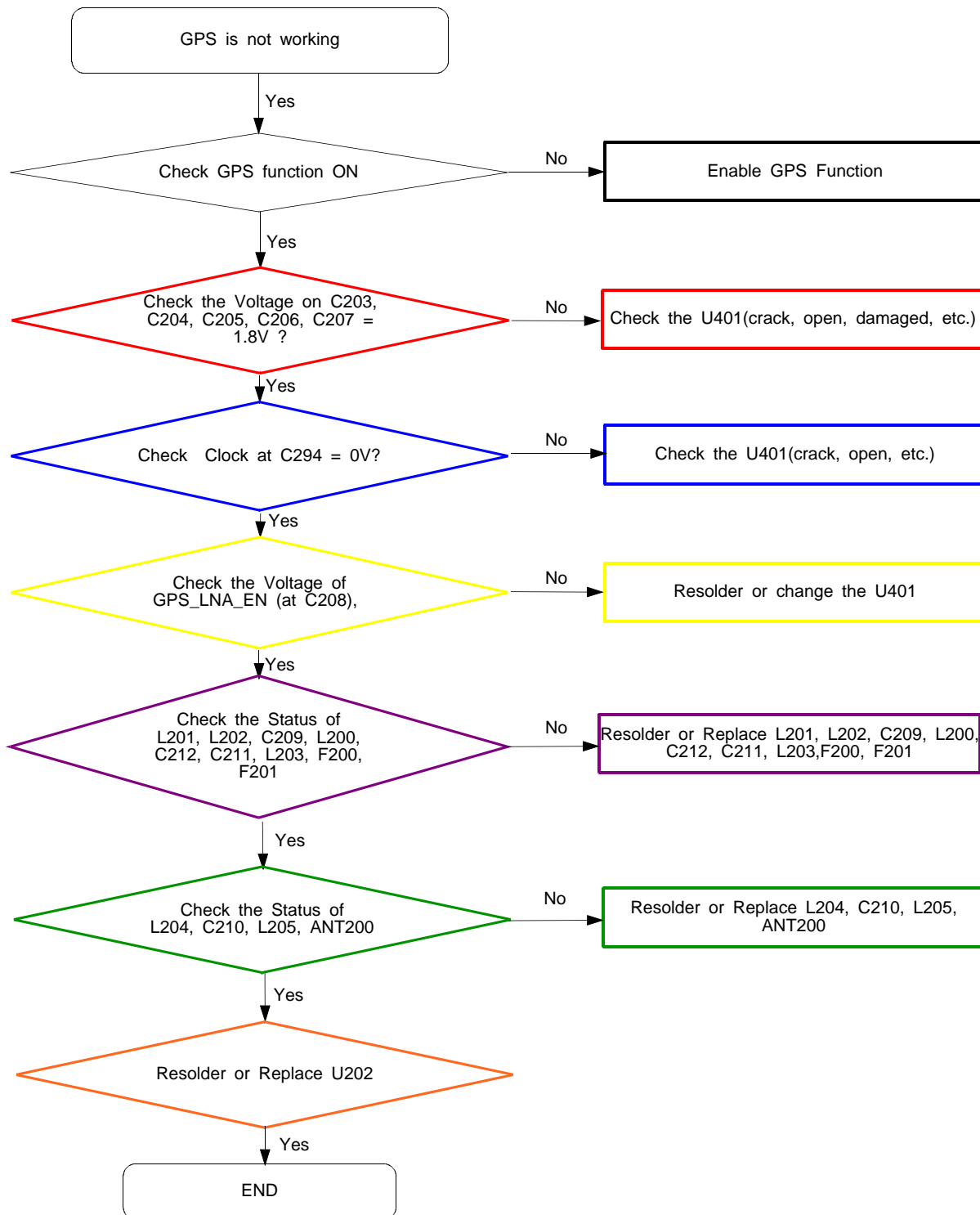




WIFI/BT/FM



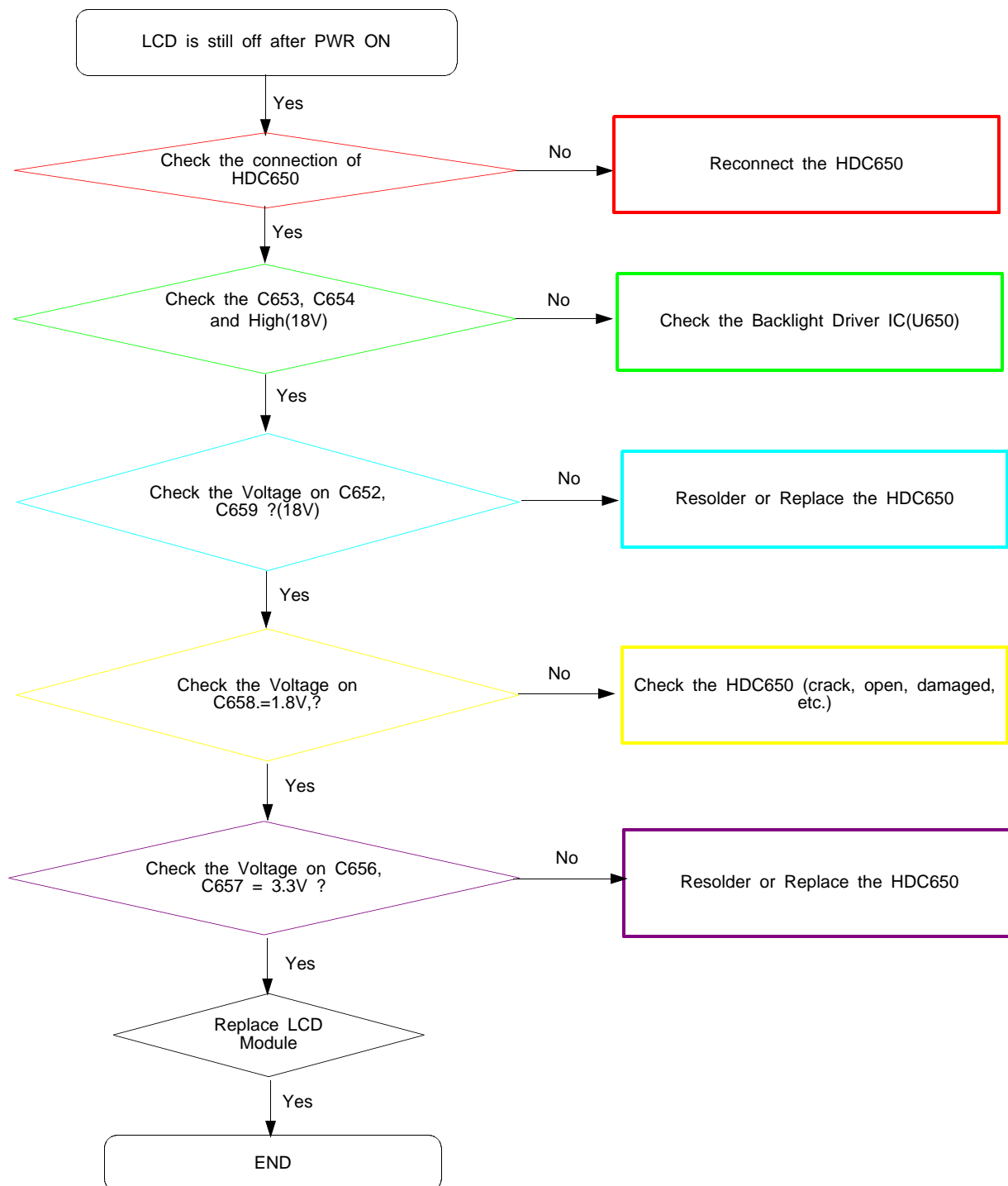
8-3-7. GPS Part

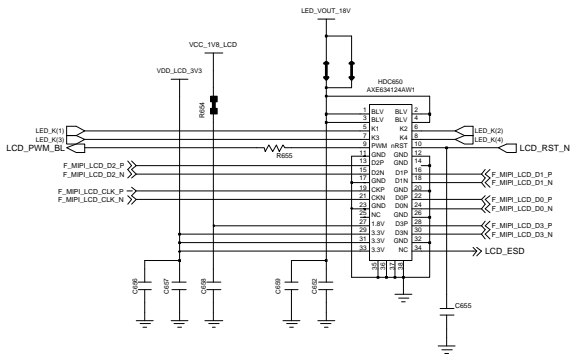




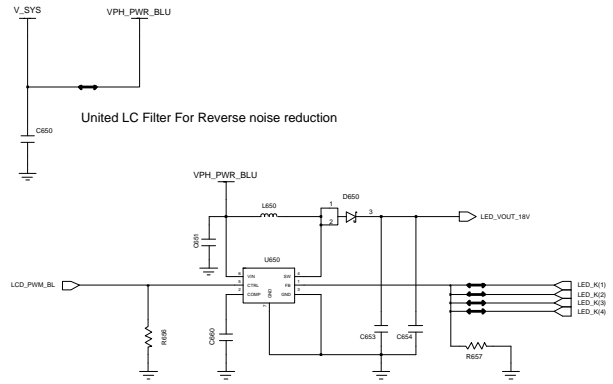


8-3-8. LCD

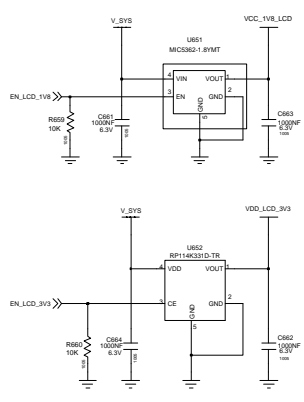




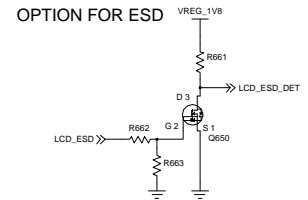
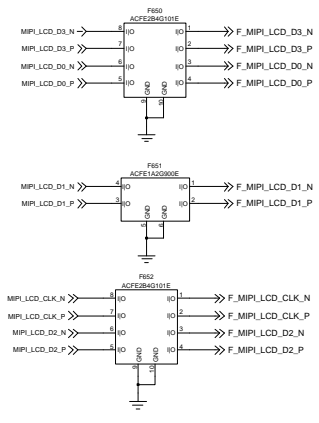
LCD Connector



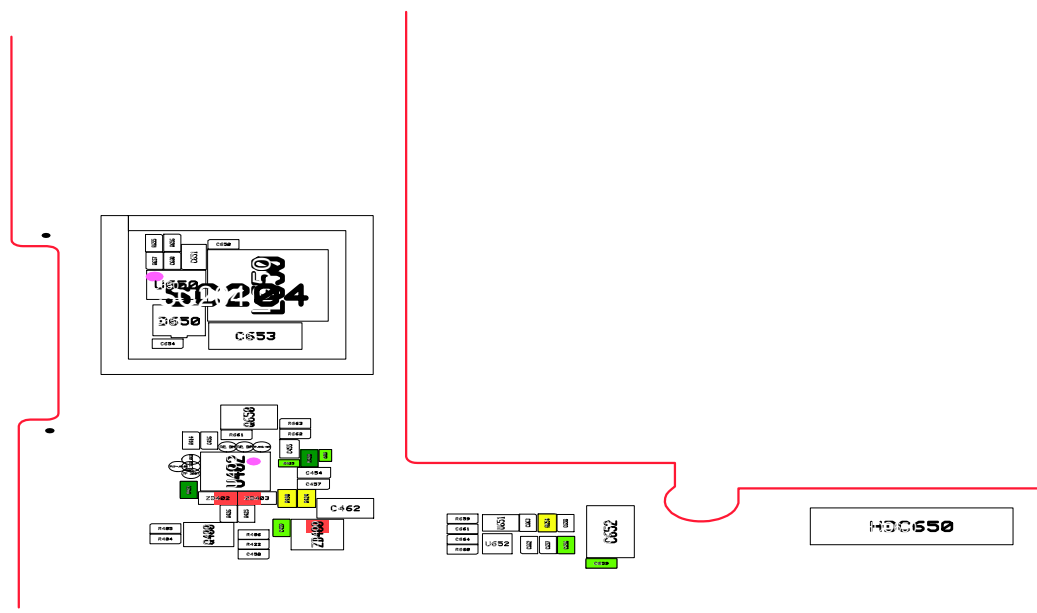
LED BACKLIGHT DRIVER IC



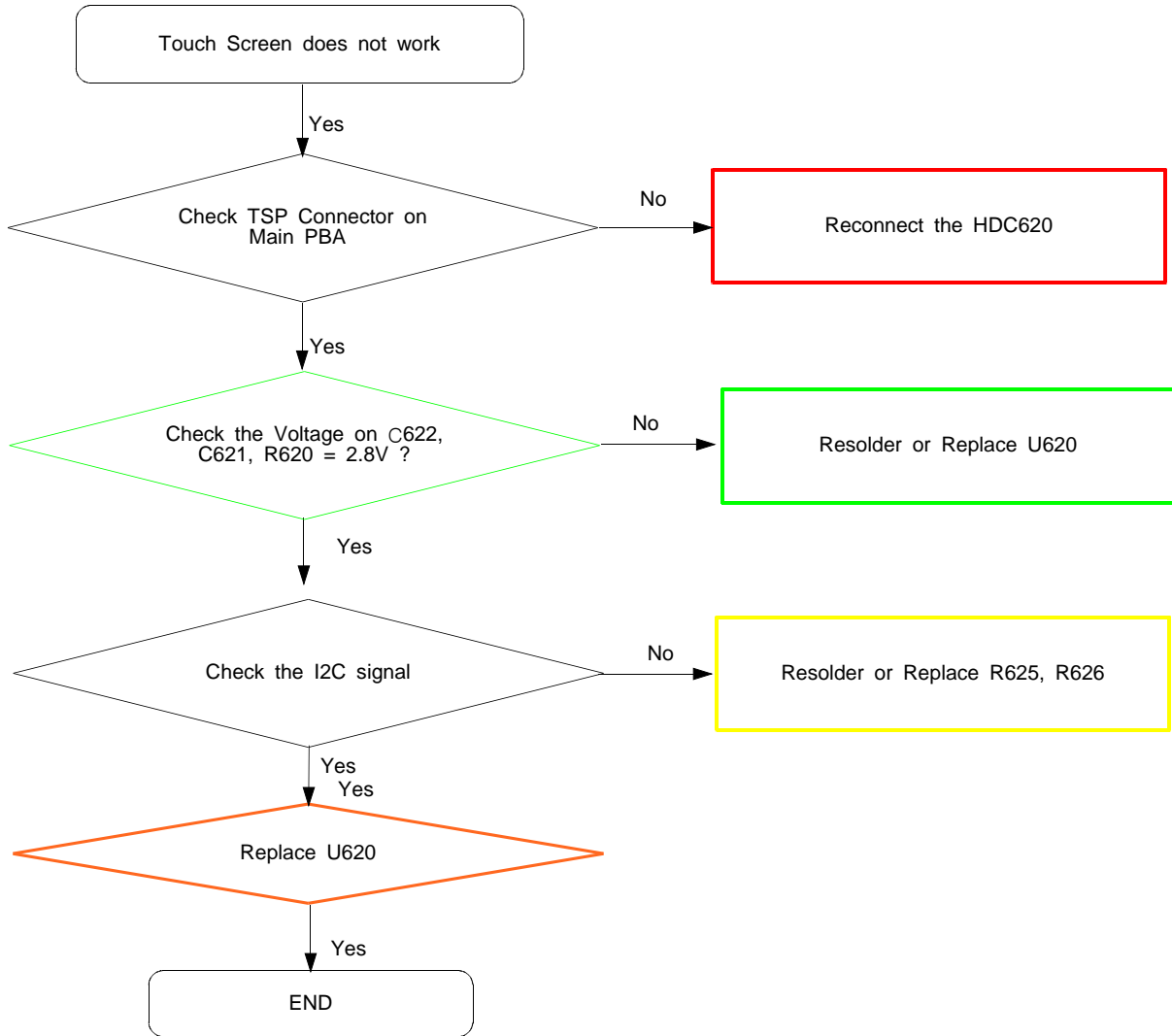
DISPLAY LDO

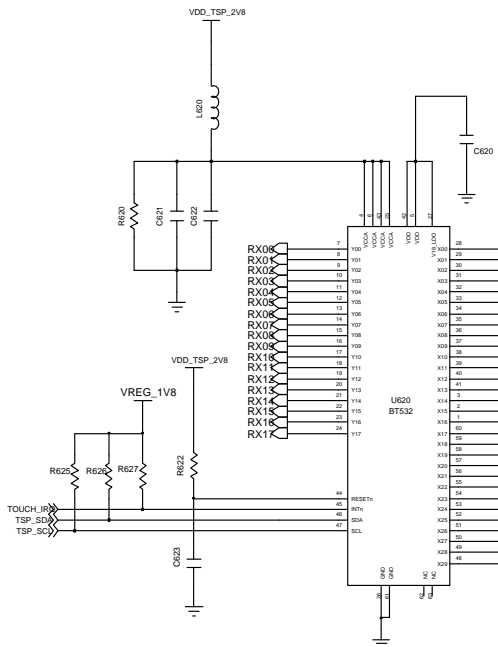


LCD DETECT

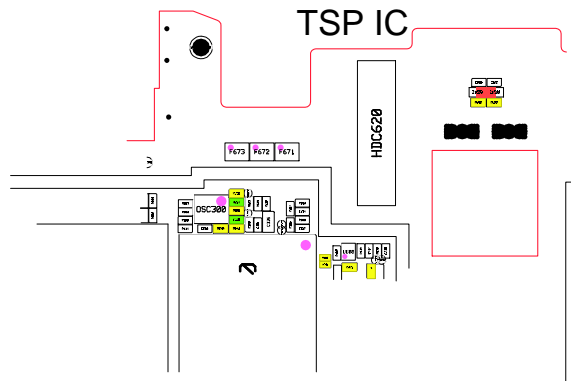
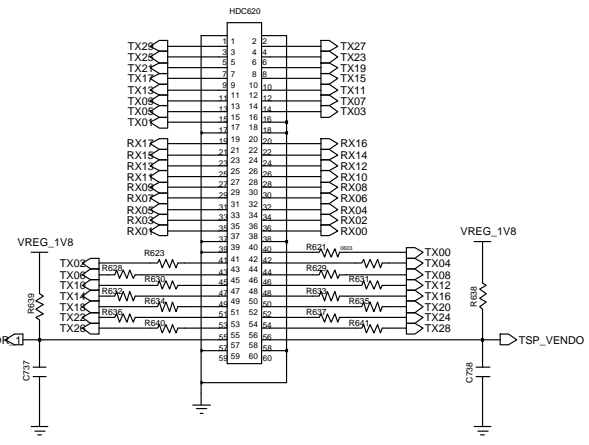


8-3-9. TSP

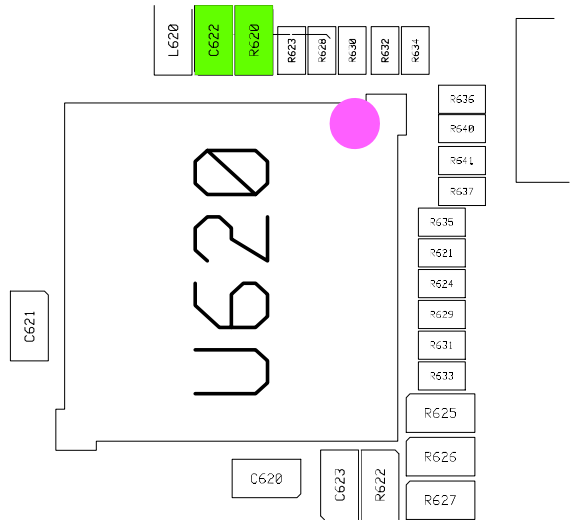




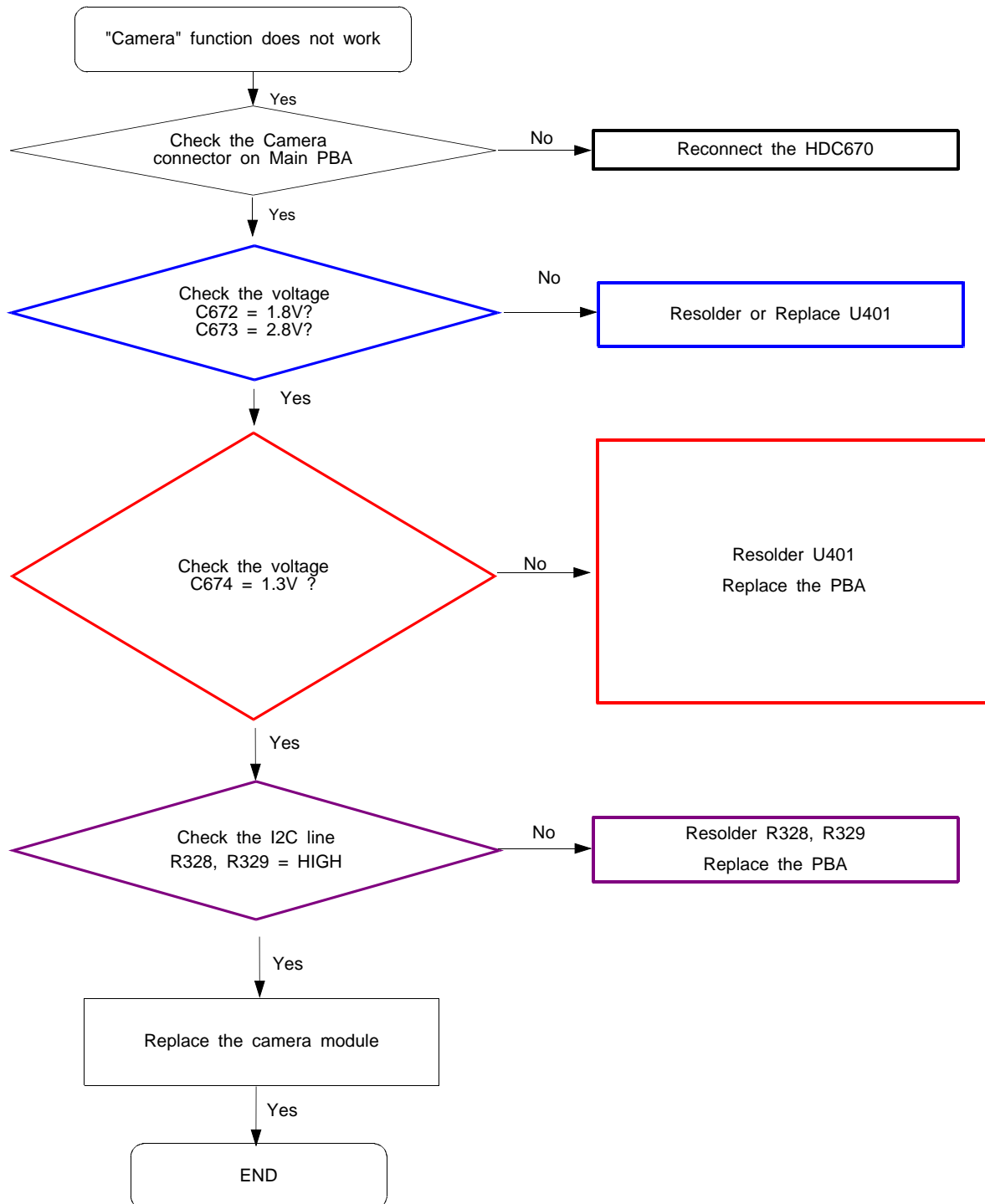
### TSP LDO

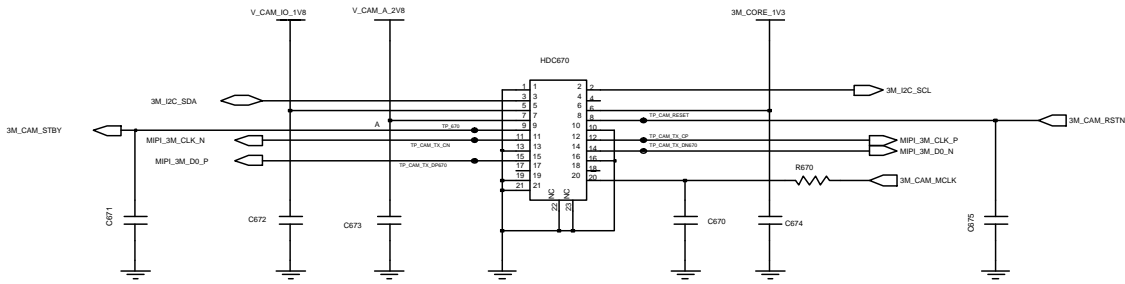


### 60pin TSP Con.

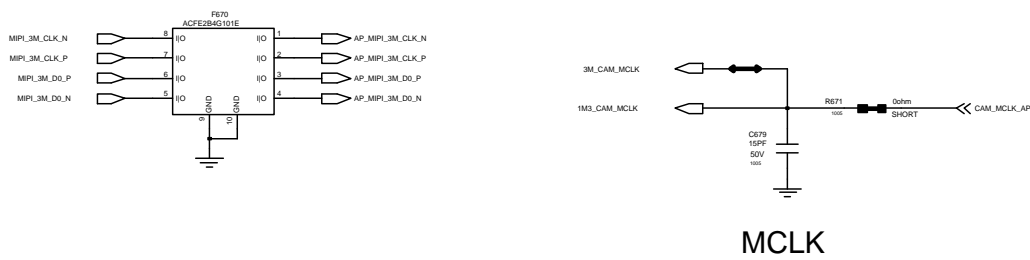


8-3-10. 3M CAM

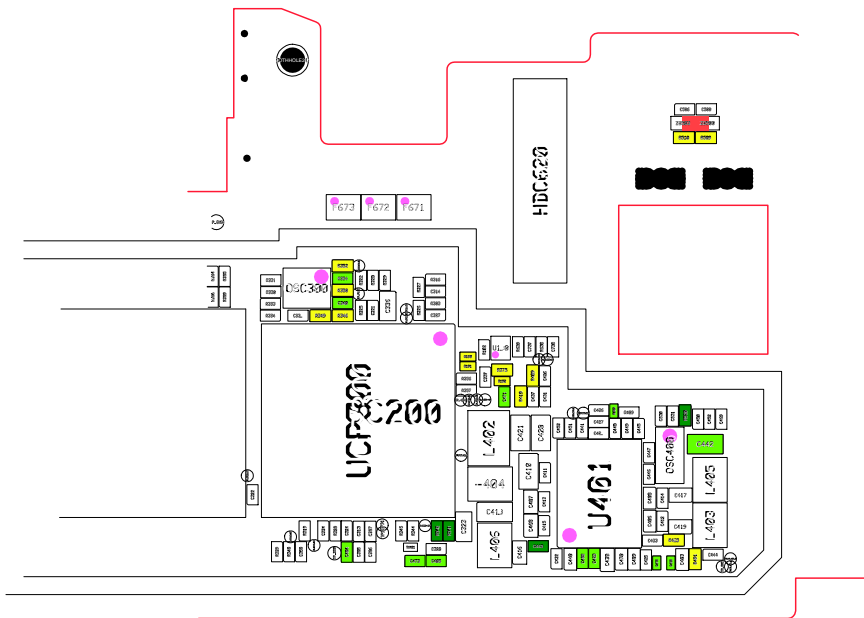




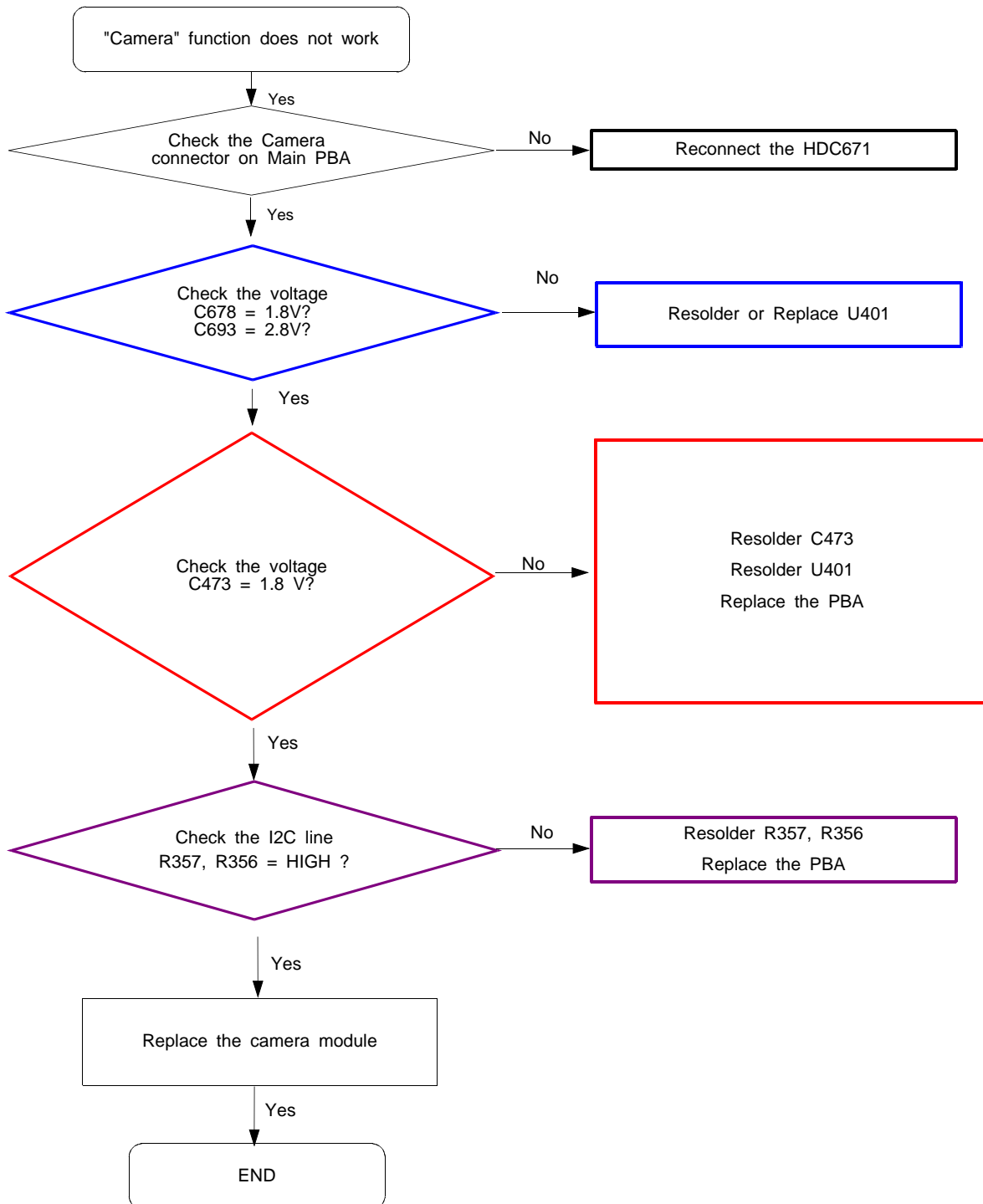
### 3M\_Camera Connector



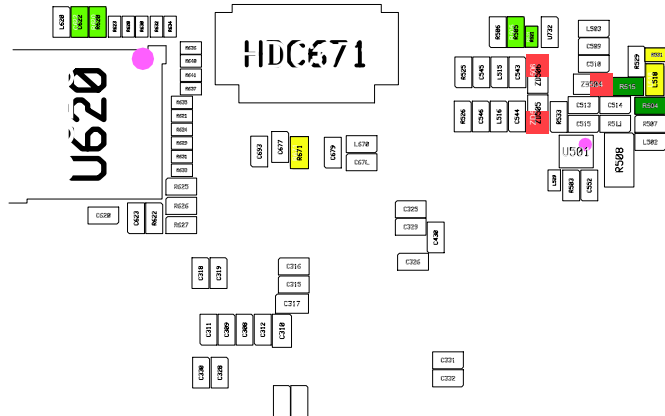
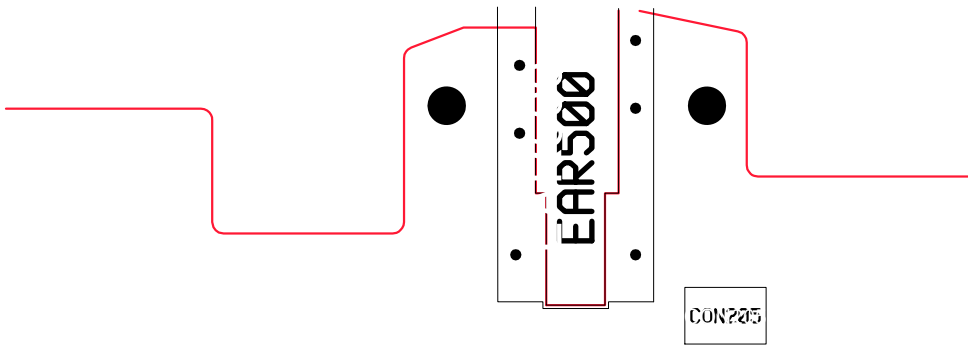
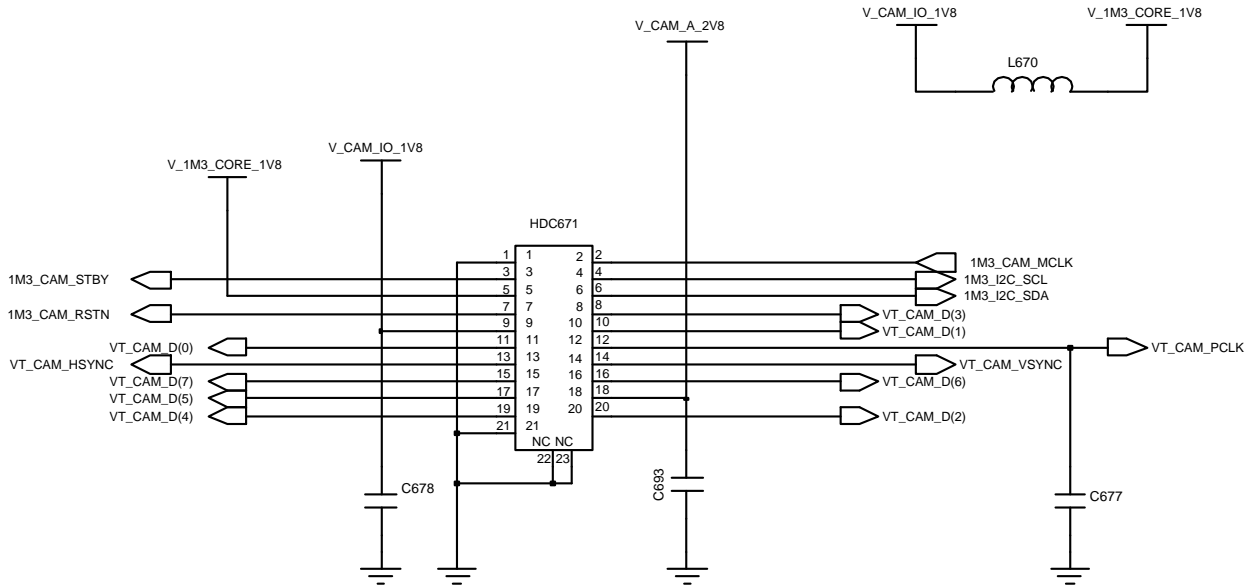
### MCLK



8-3-11. 1.3M CAM









U401

