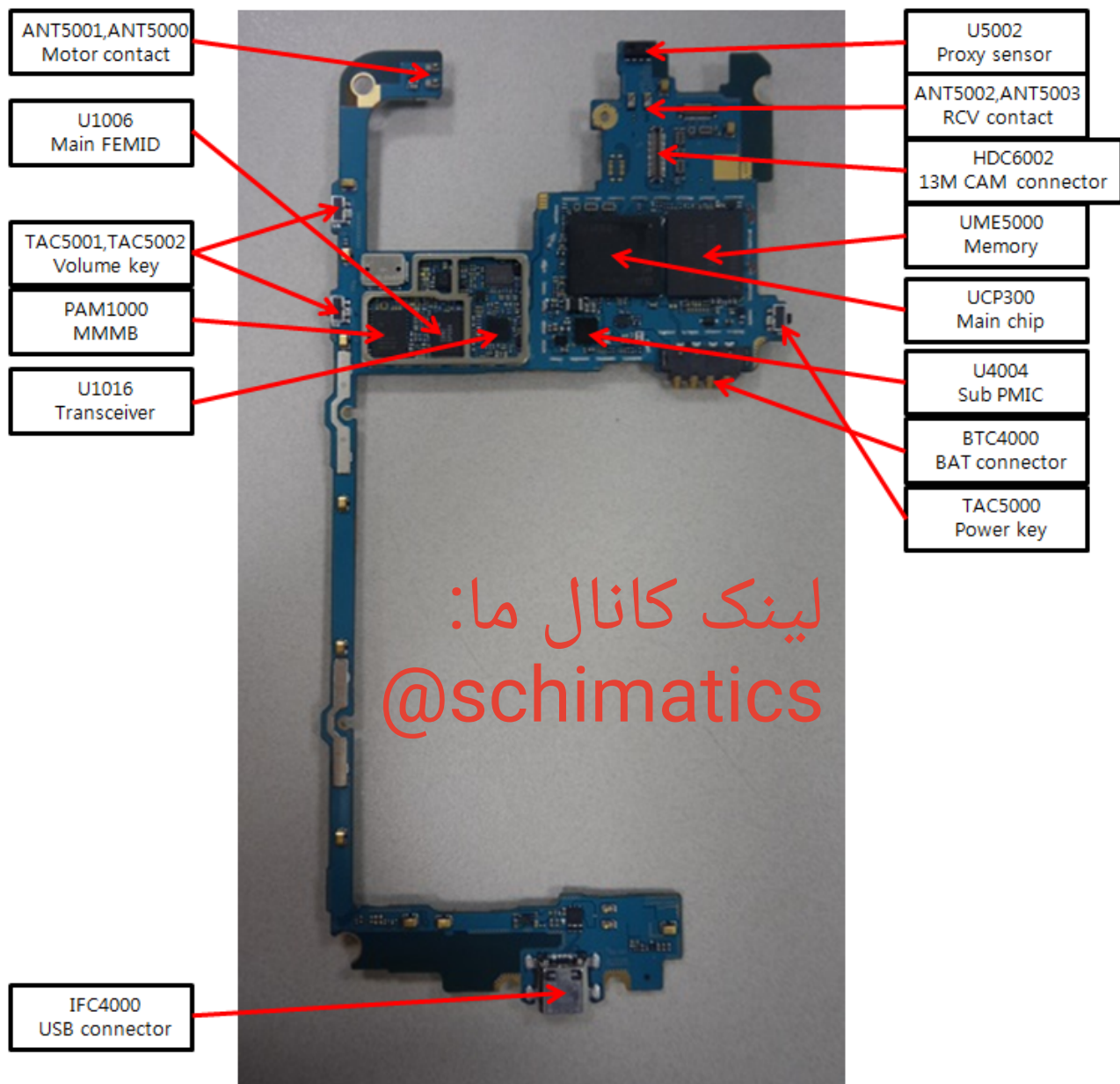
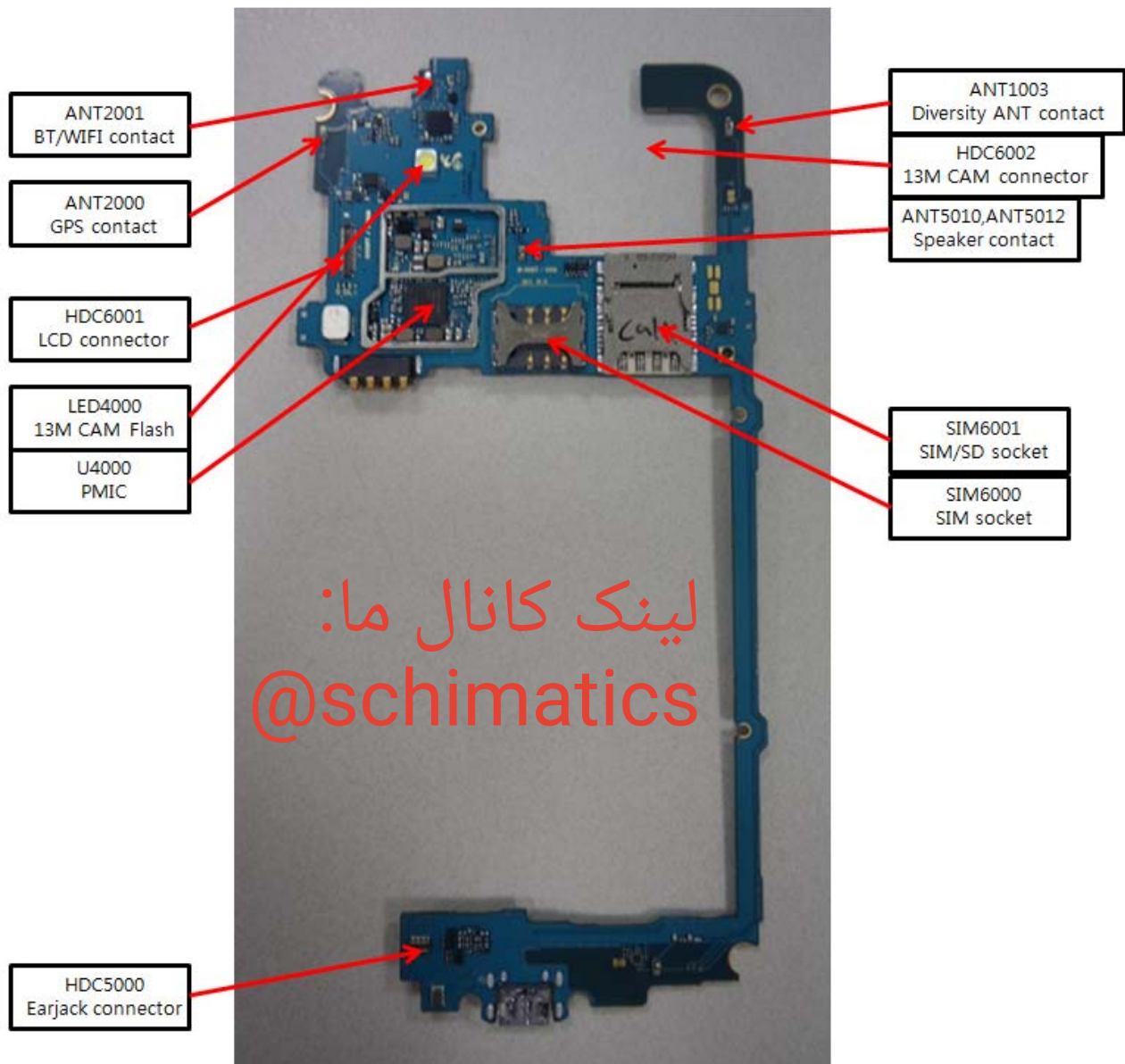


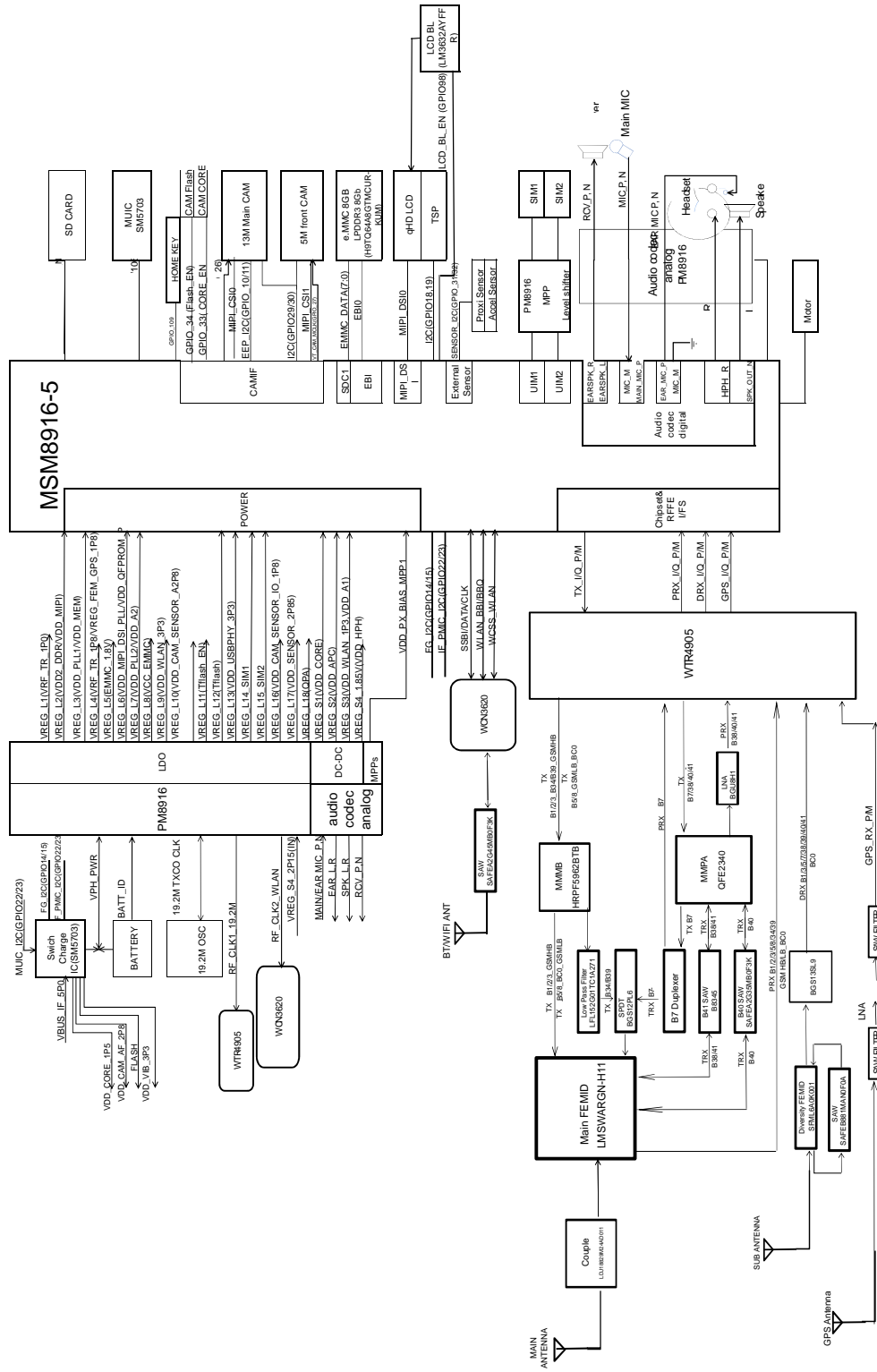
8. Level 3 Repair

8-1. Components Layout



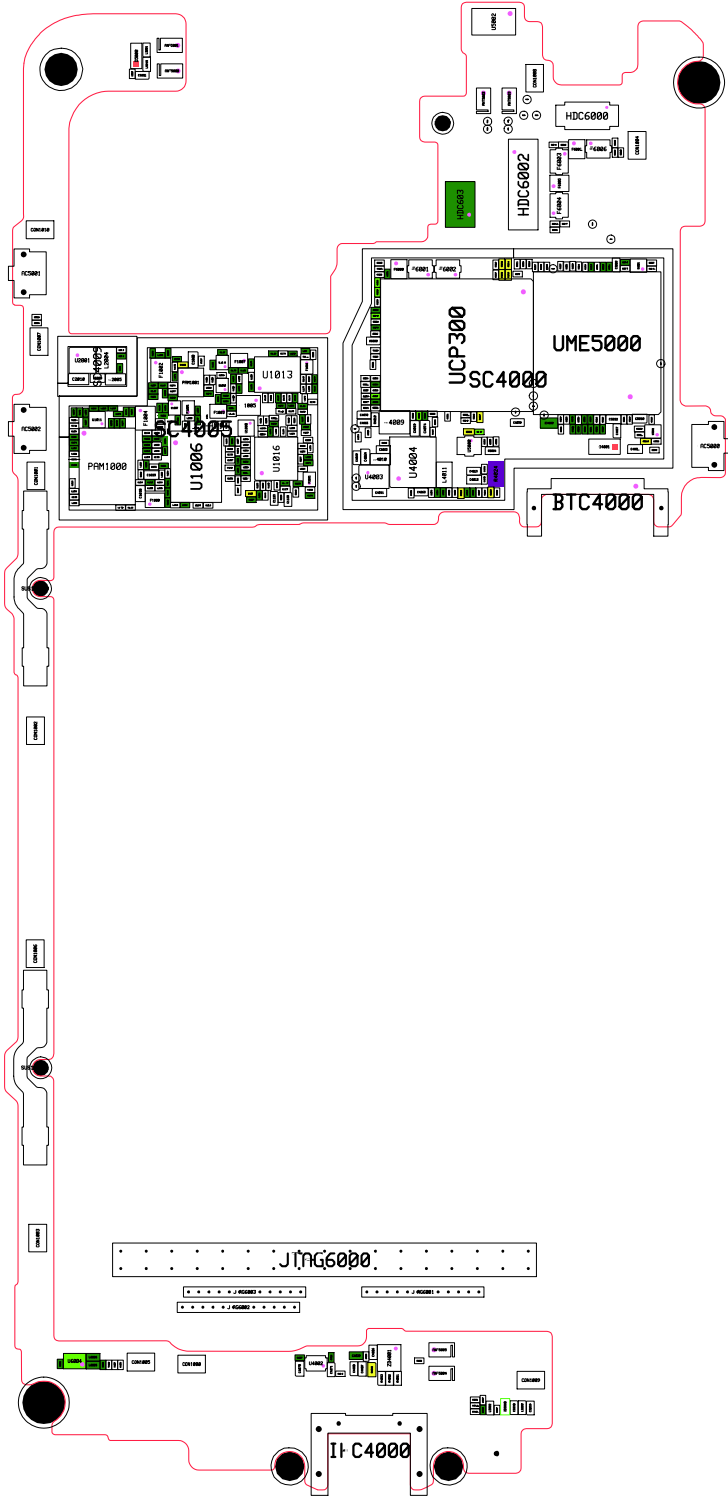


8-2. Block Diagram

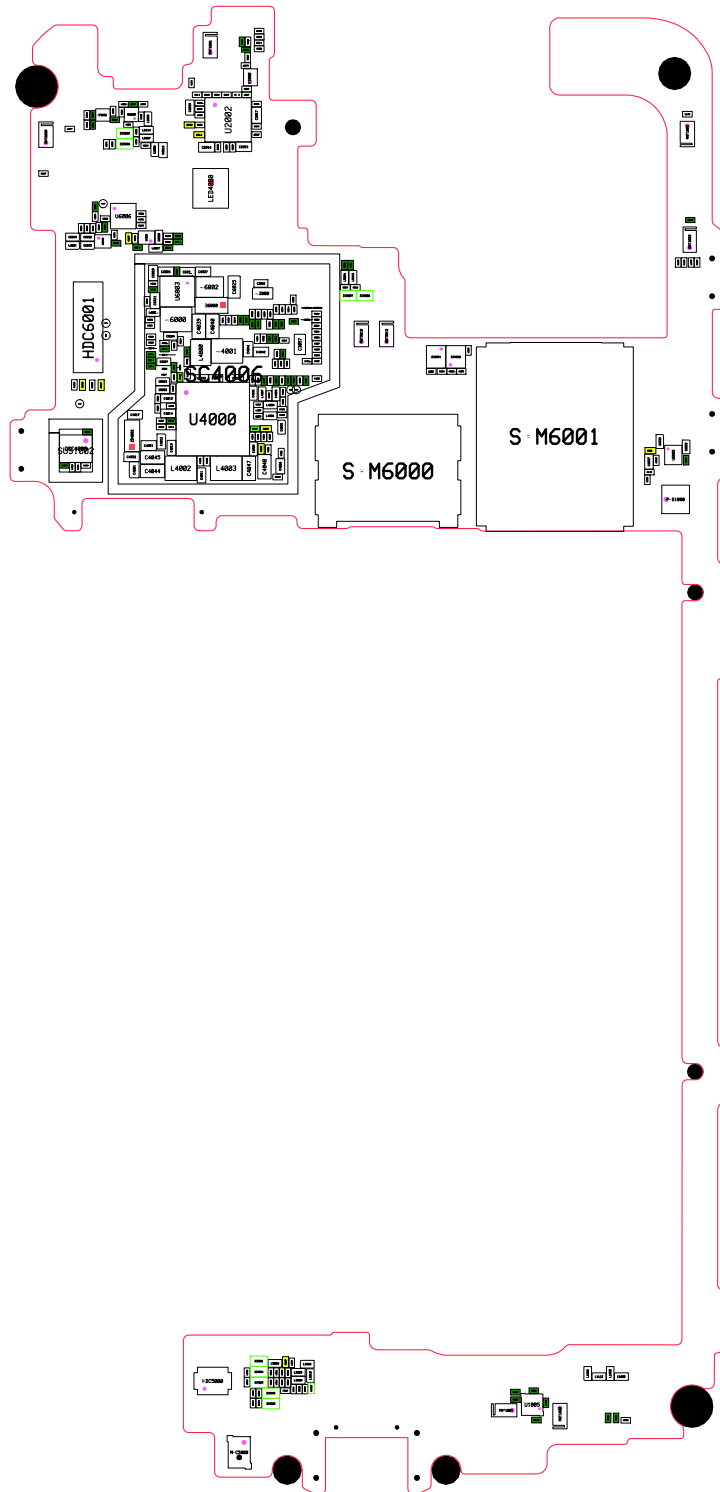


8-3. PCB Diagrams

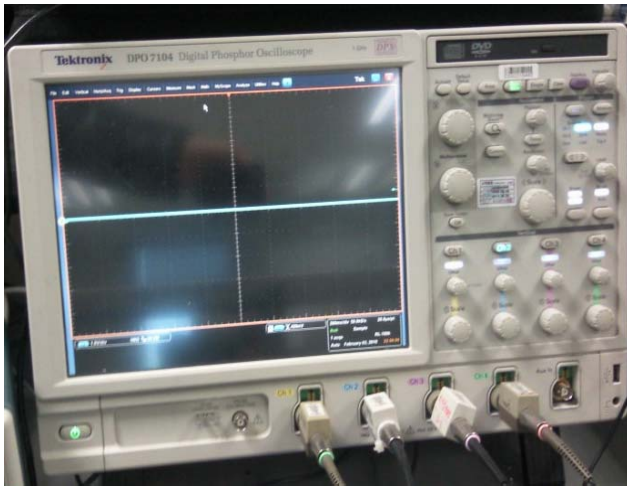
8-3-1. Top



8-3-2. Bottom



8-4. Flow Chart of Troubleshooting Equipments



↑ Oscilloscope



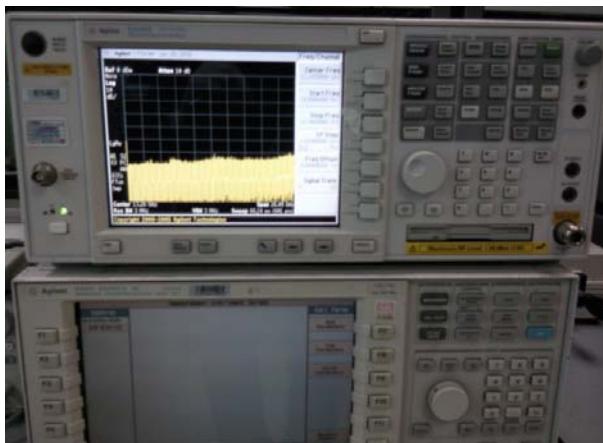
↑ Digital Multimeter



↑ Power Supply



↑ + driver, ESD Safe Tweezer

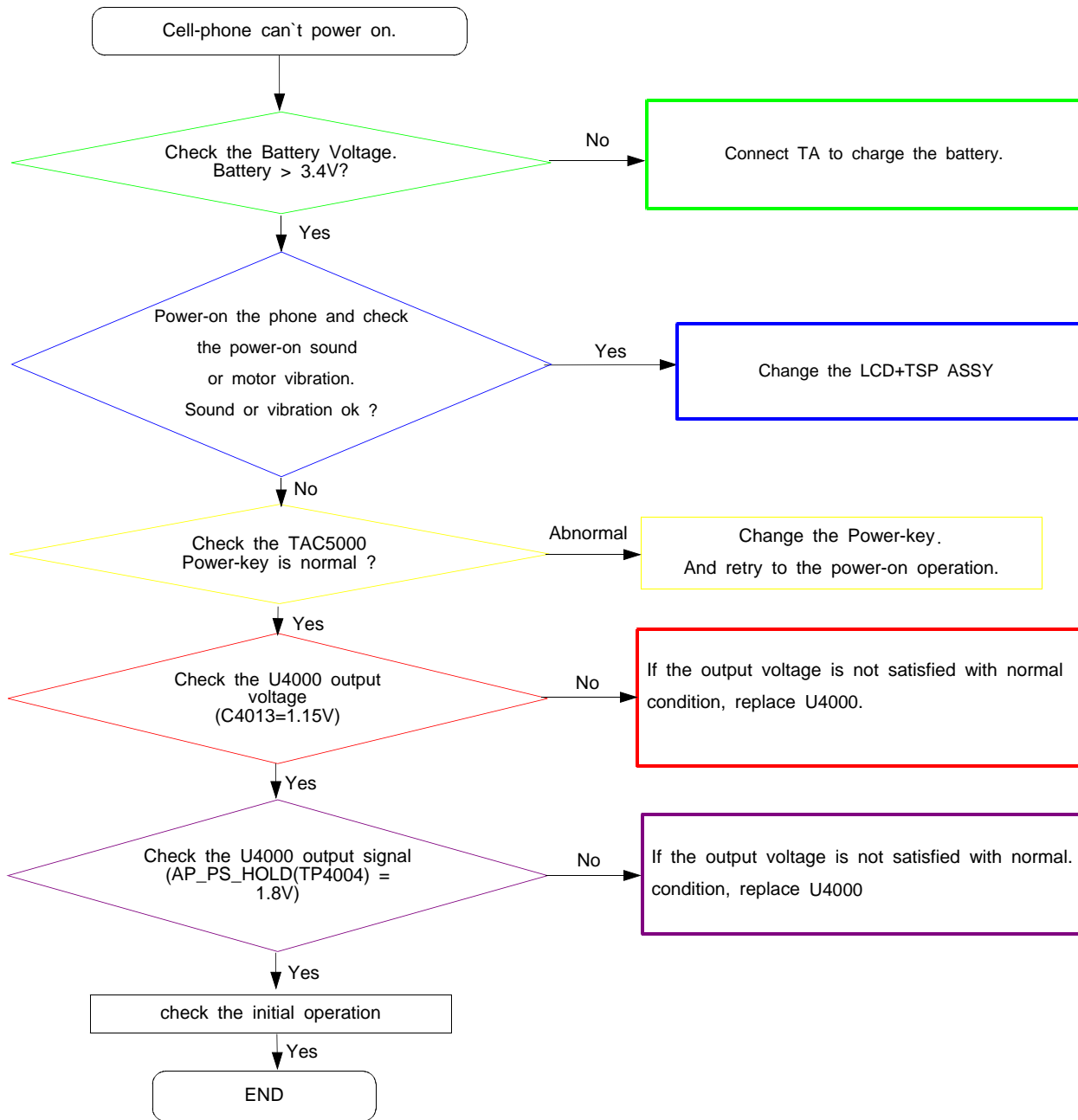


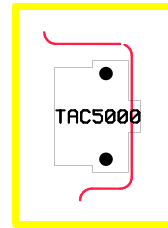
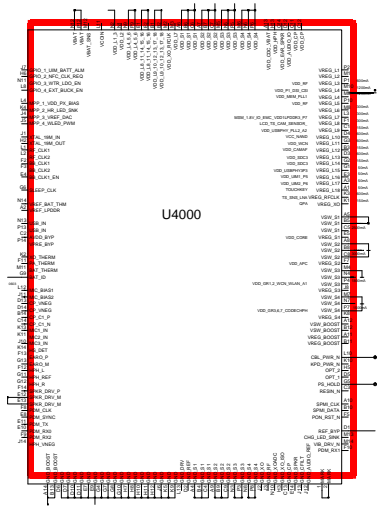
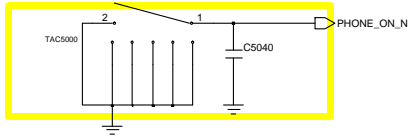
↑ 8960 & Spectrum Analyzer



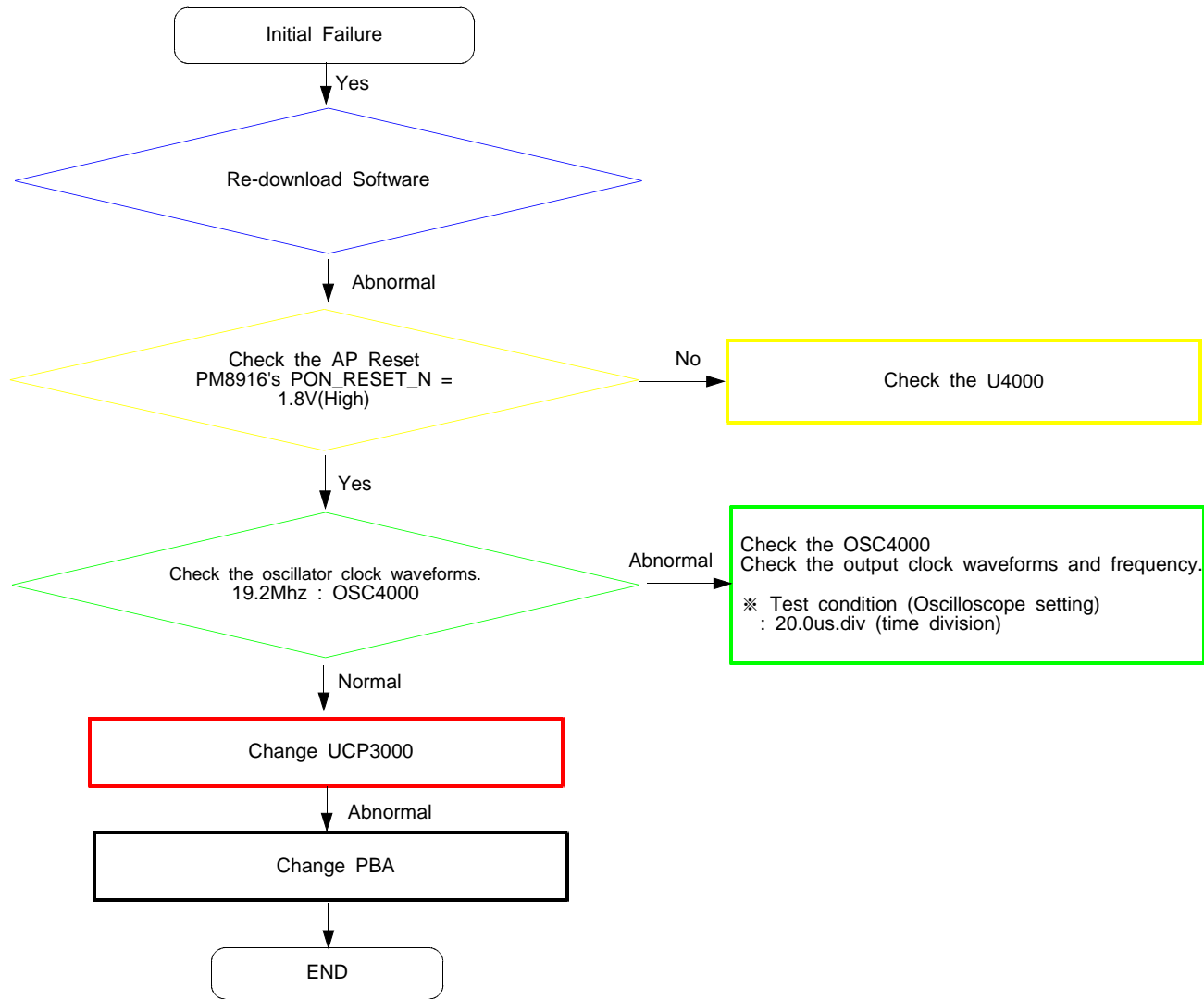
↑ Soldering iron

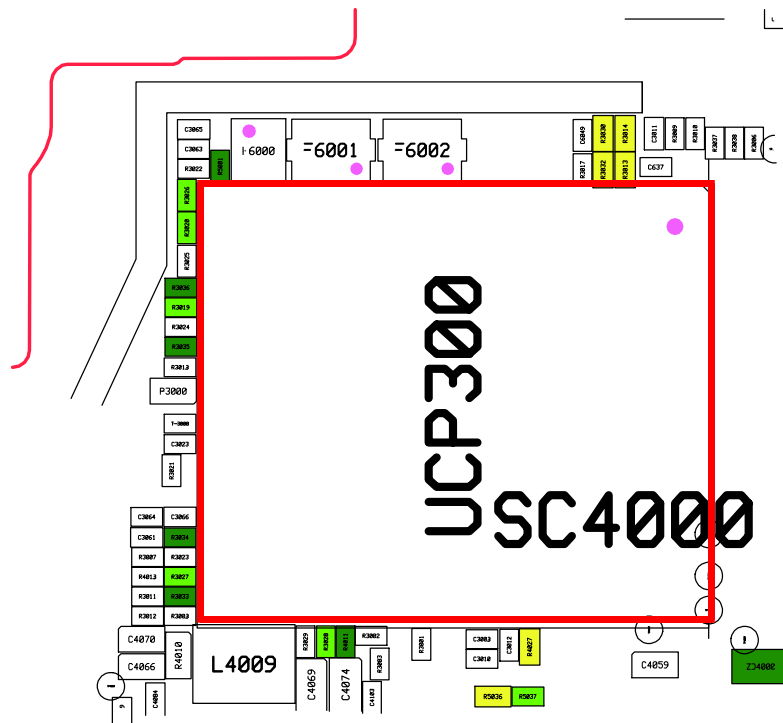
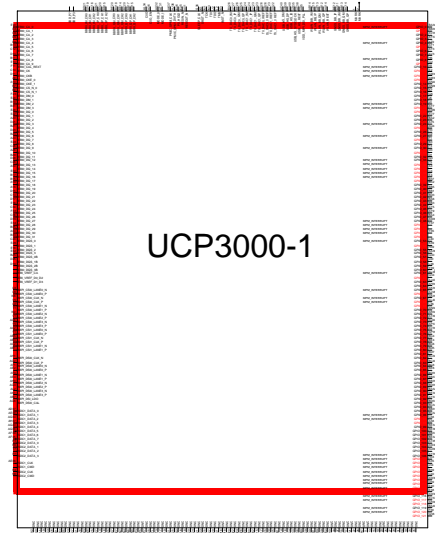
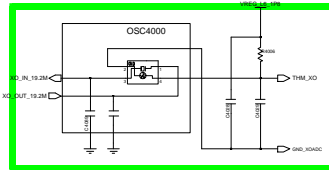
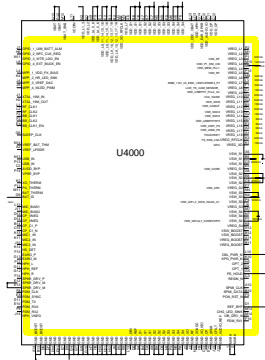
8-4-1. Power On



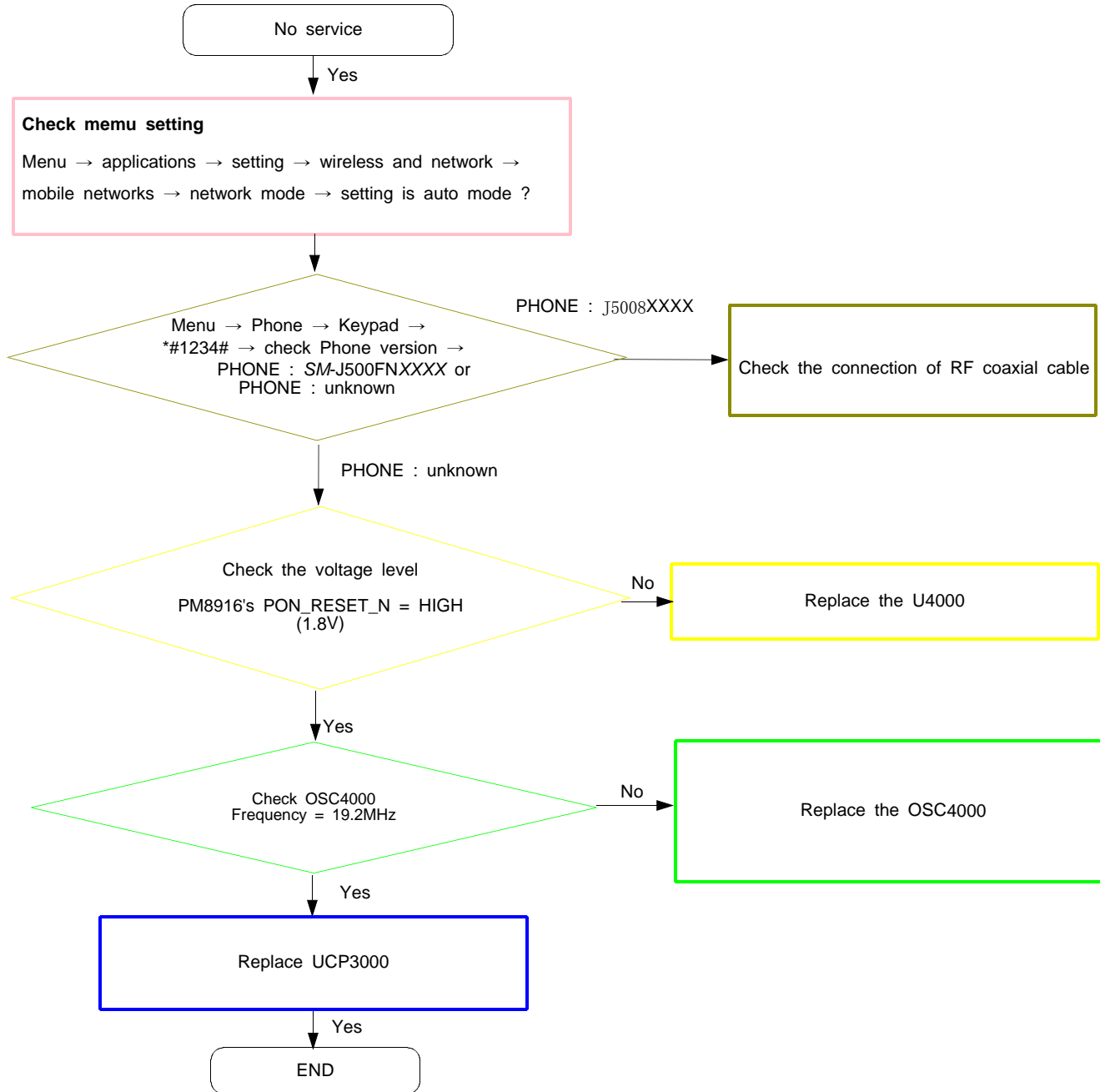


8-4-2. Initial

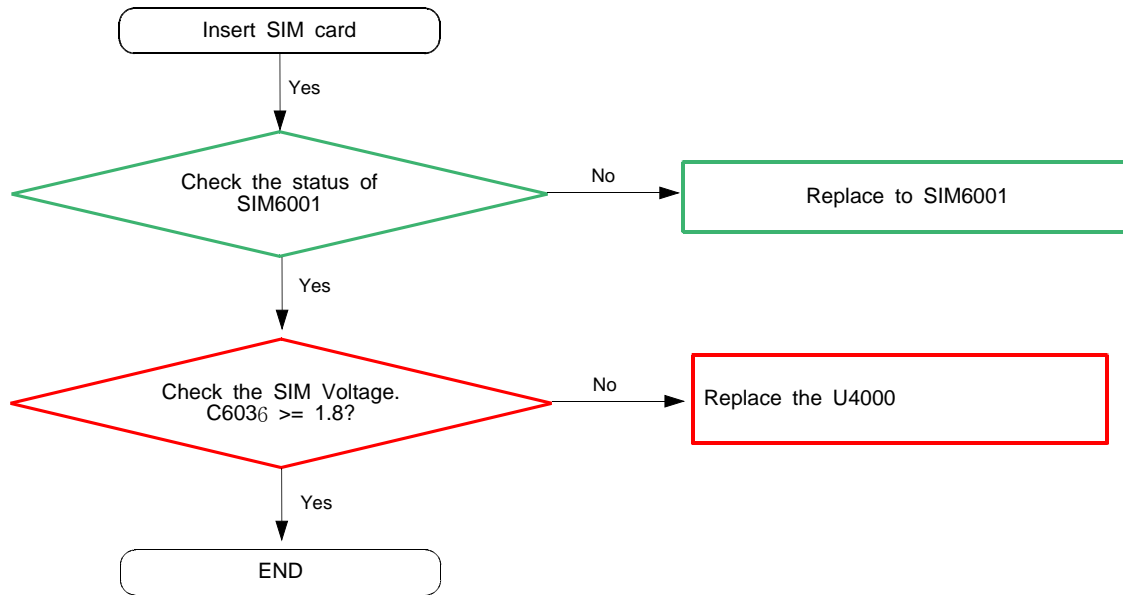


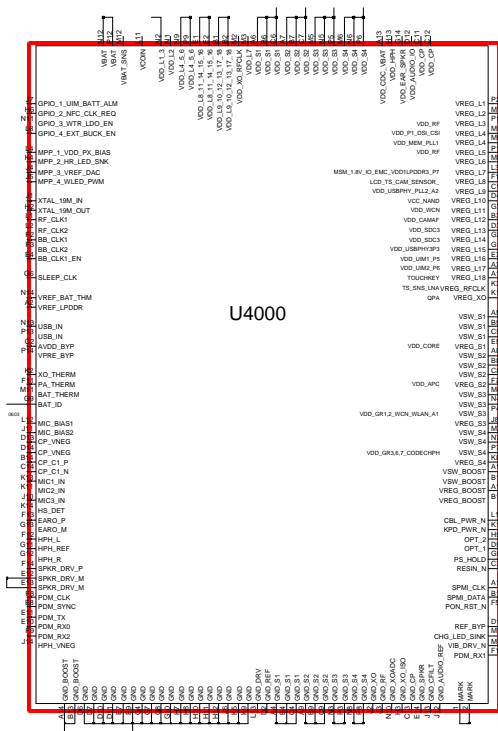
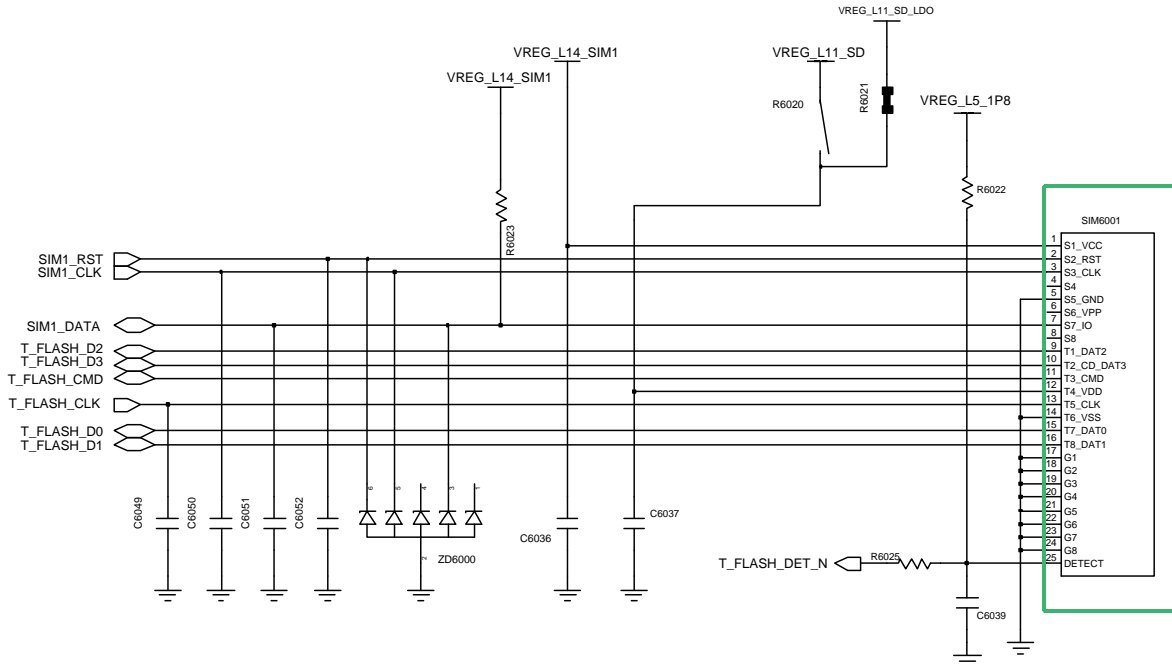


8-4-3. No Service

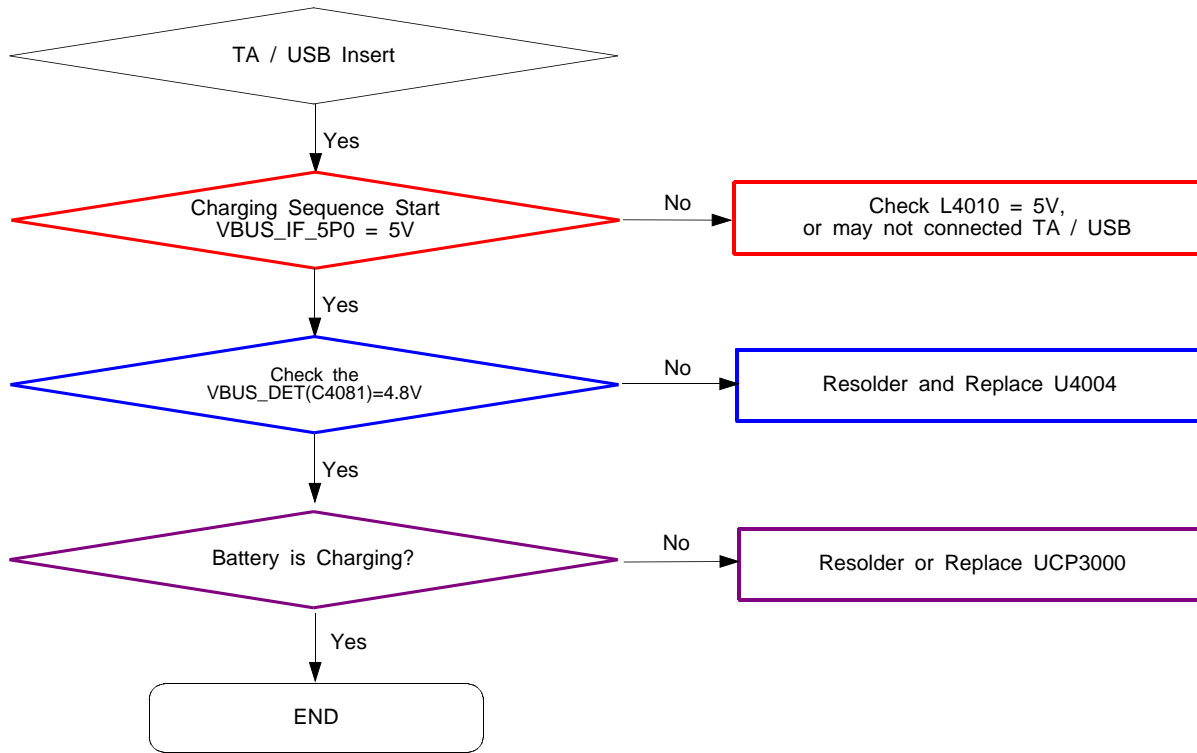


8-4-4. Sim Part - Sim Card

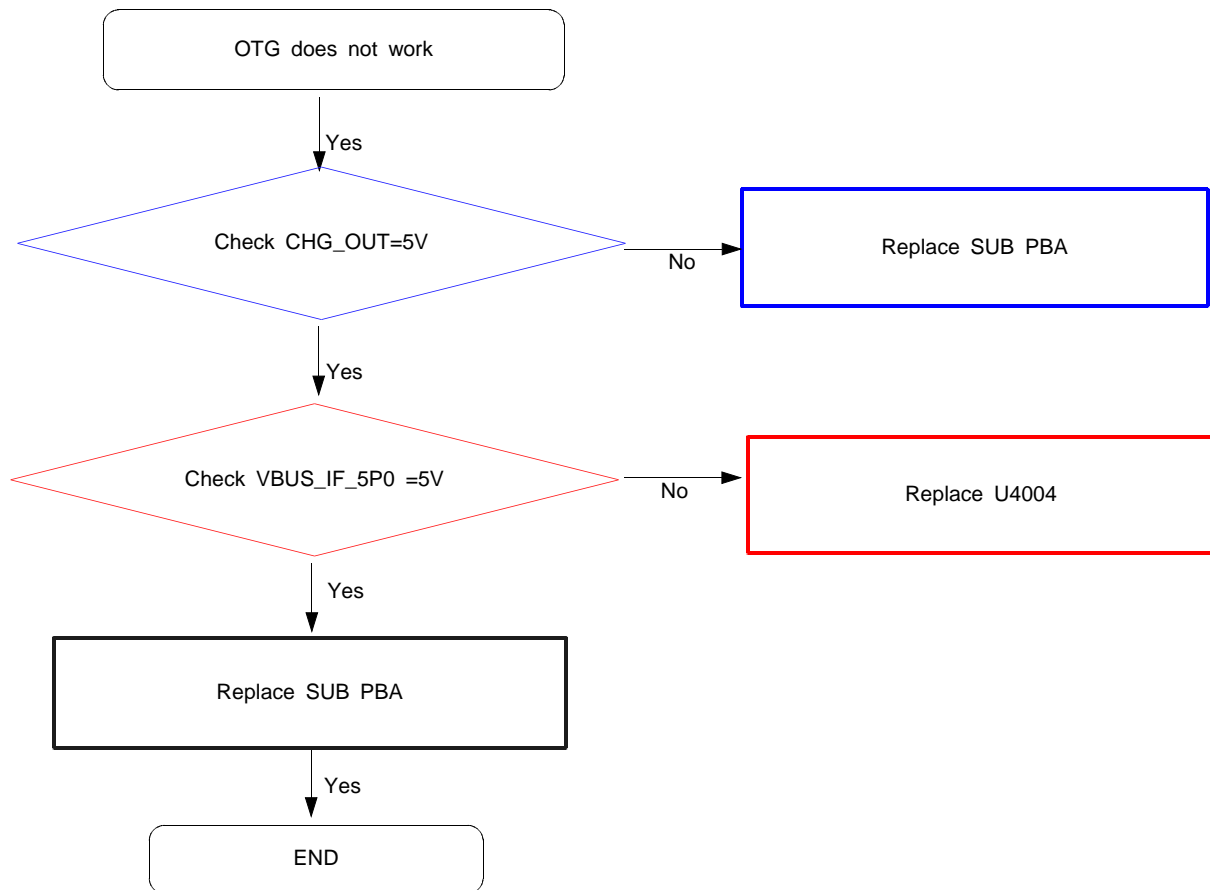




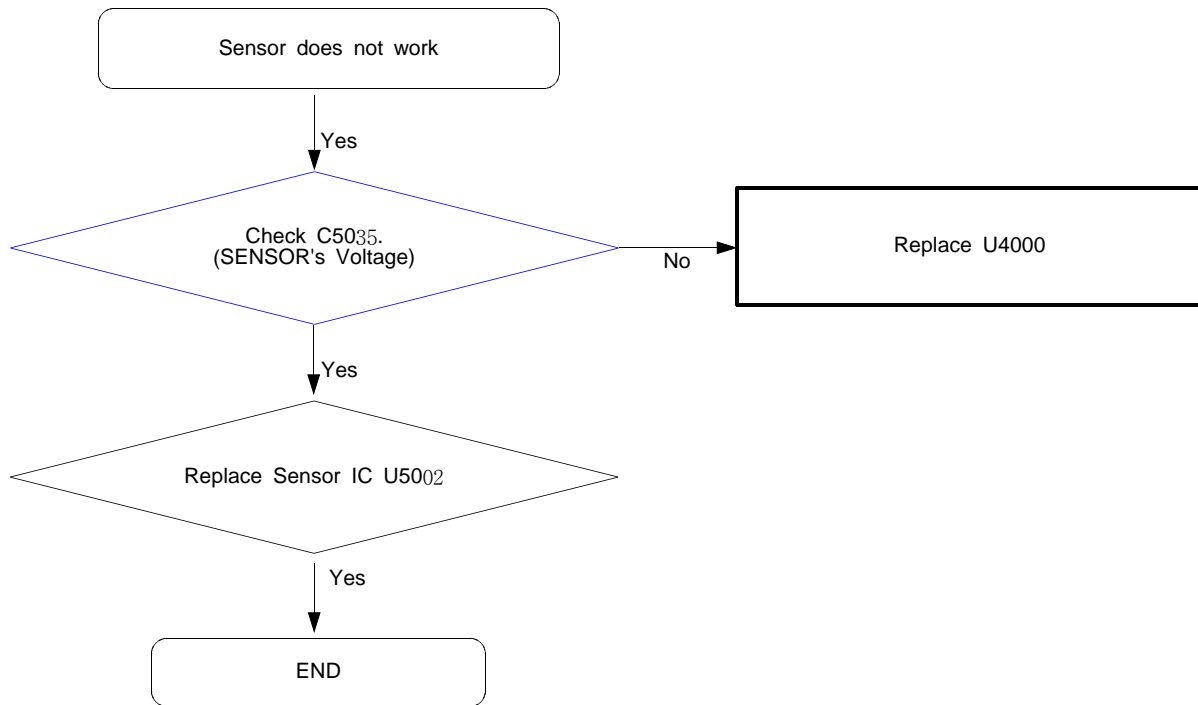
8-4-5. Charging Part

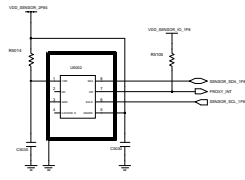
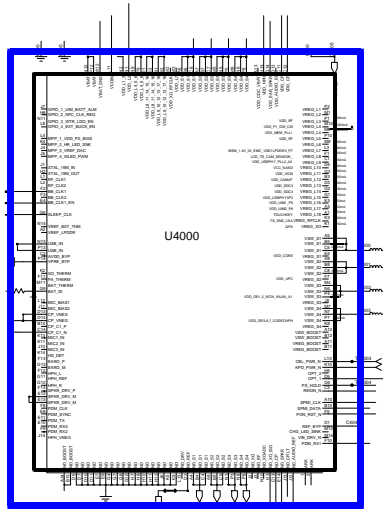


8-4-6. OTG

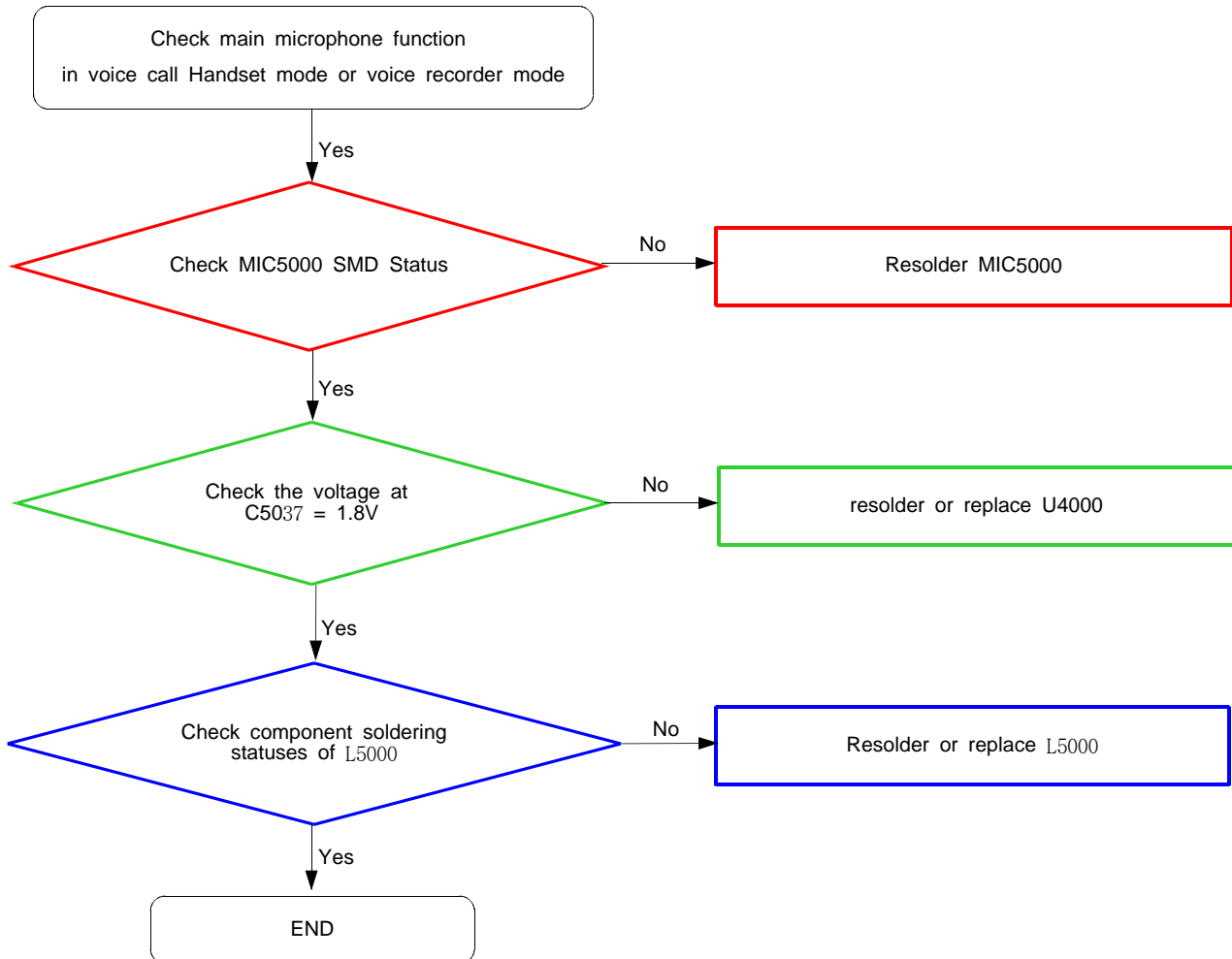


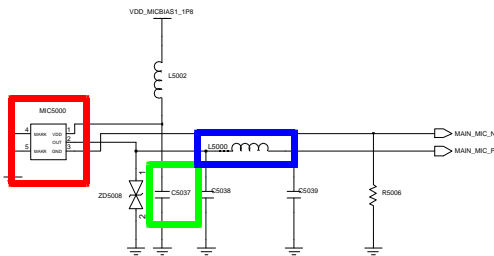
8-4-7. Proxy Sensor



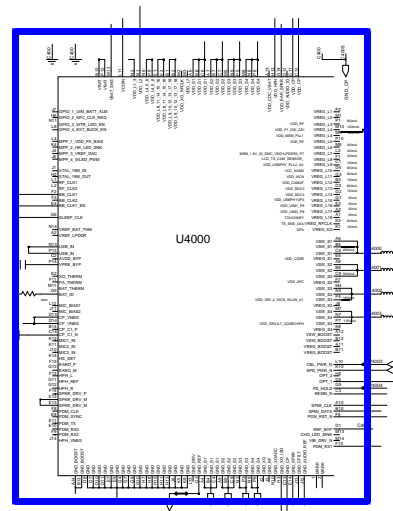


8-4-8 Microphone Part - Main MIC

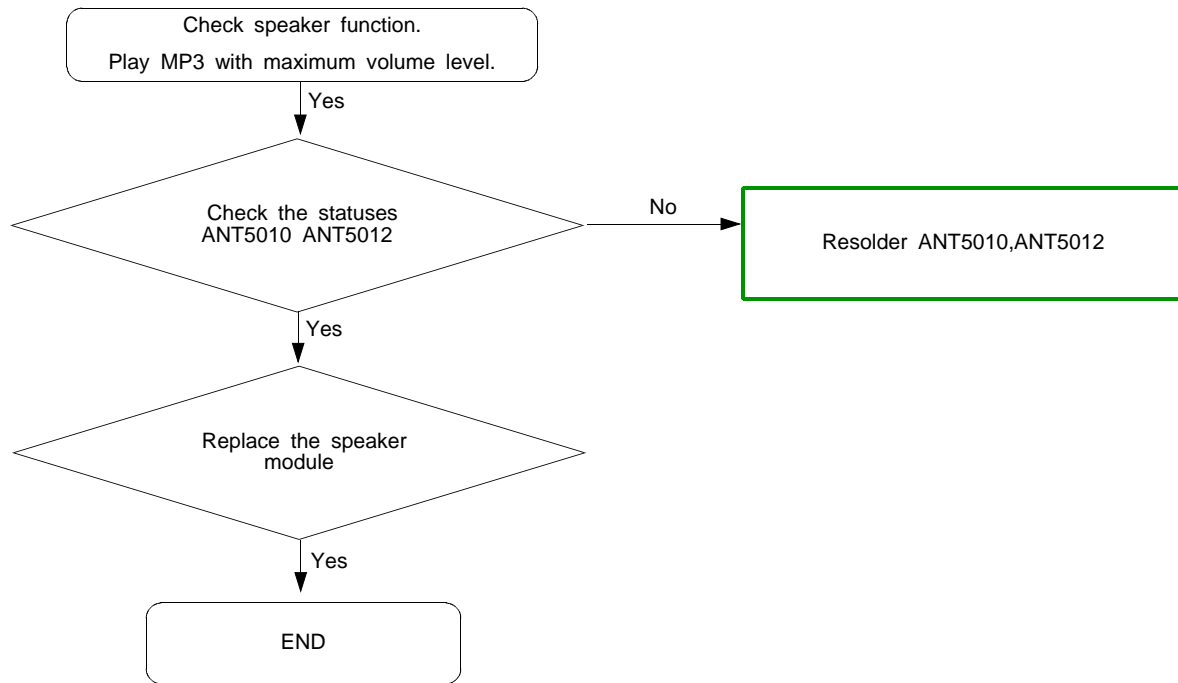


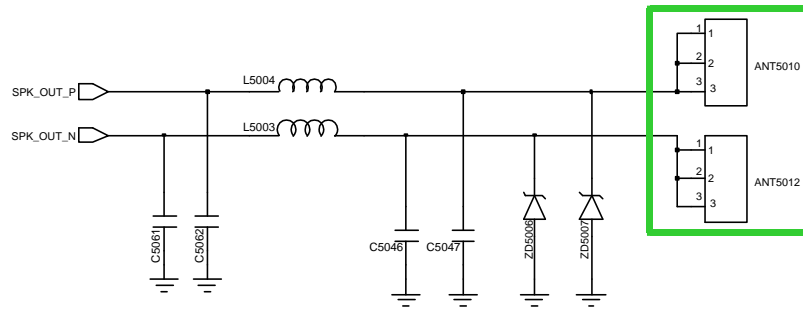


Main MIC

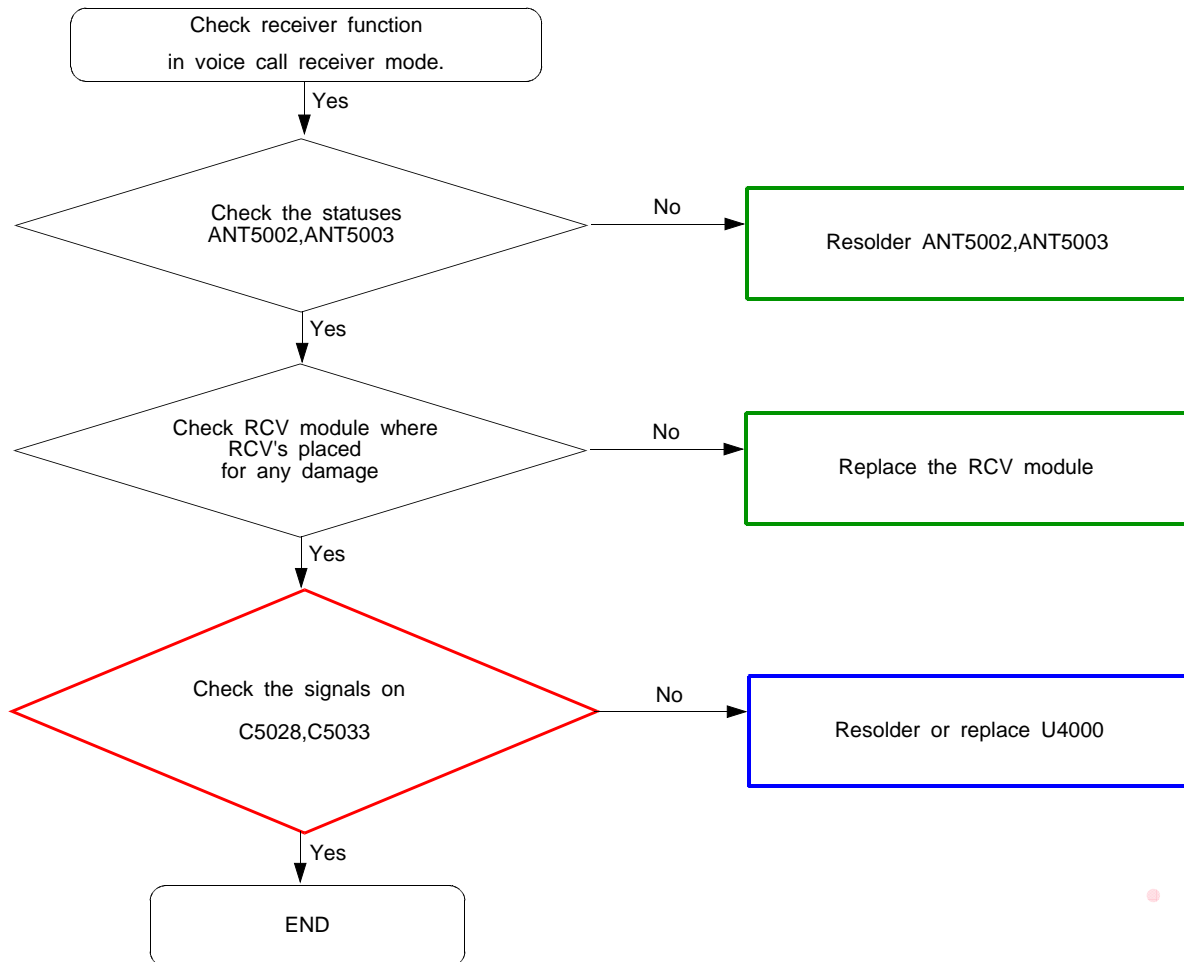


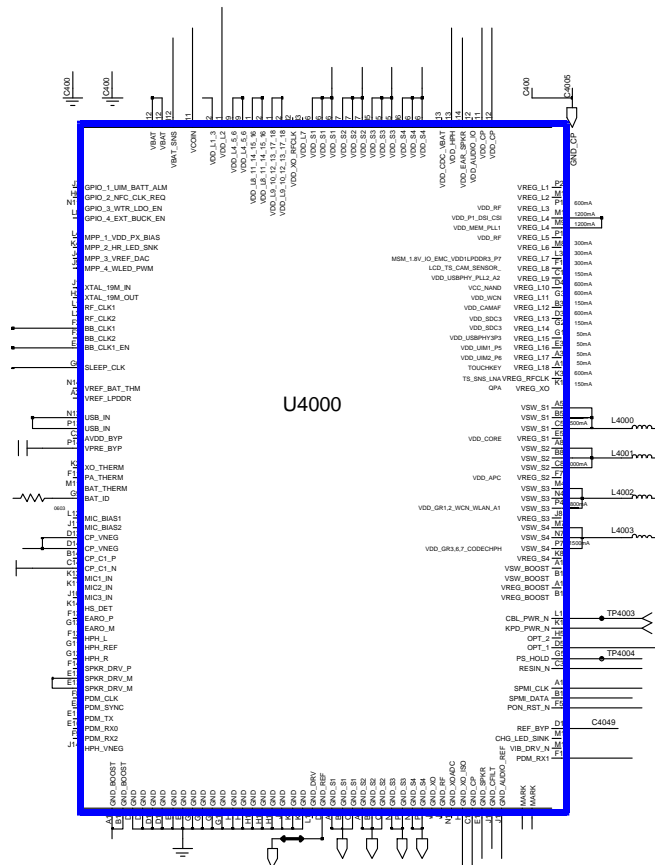
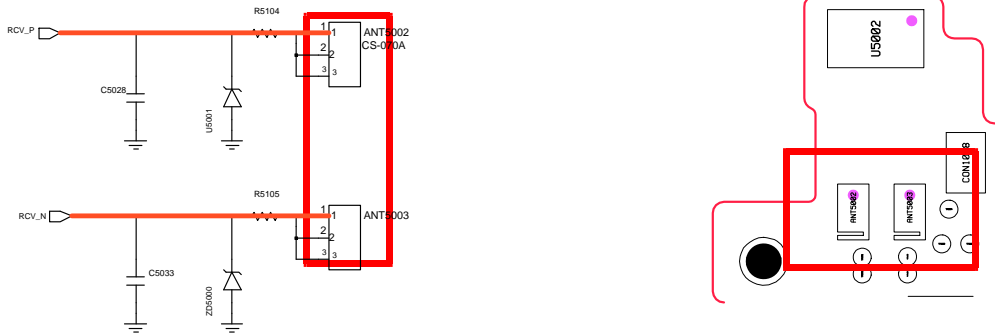
8-4-9. Speaker Part



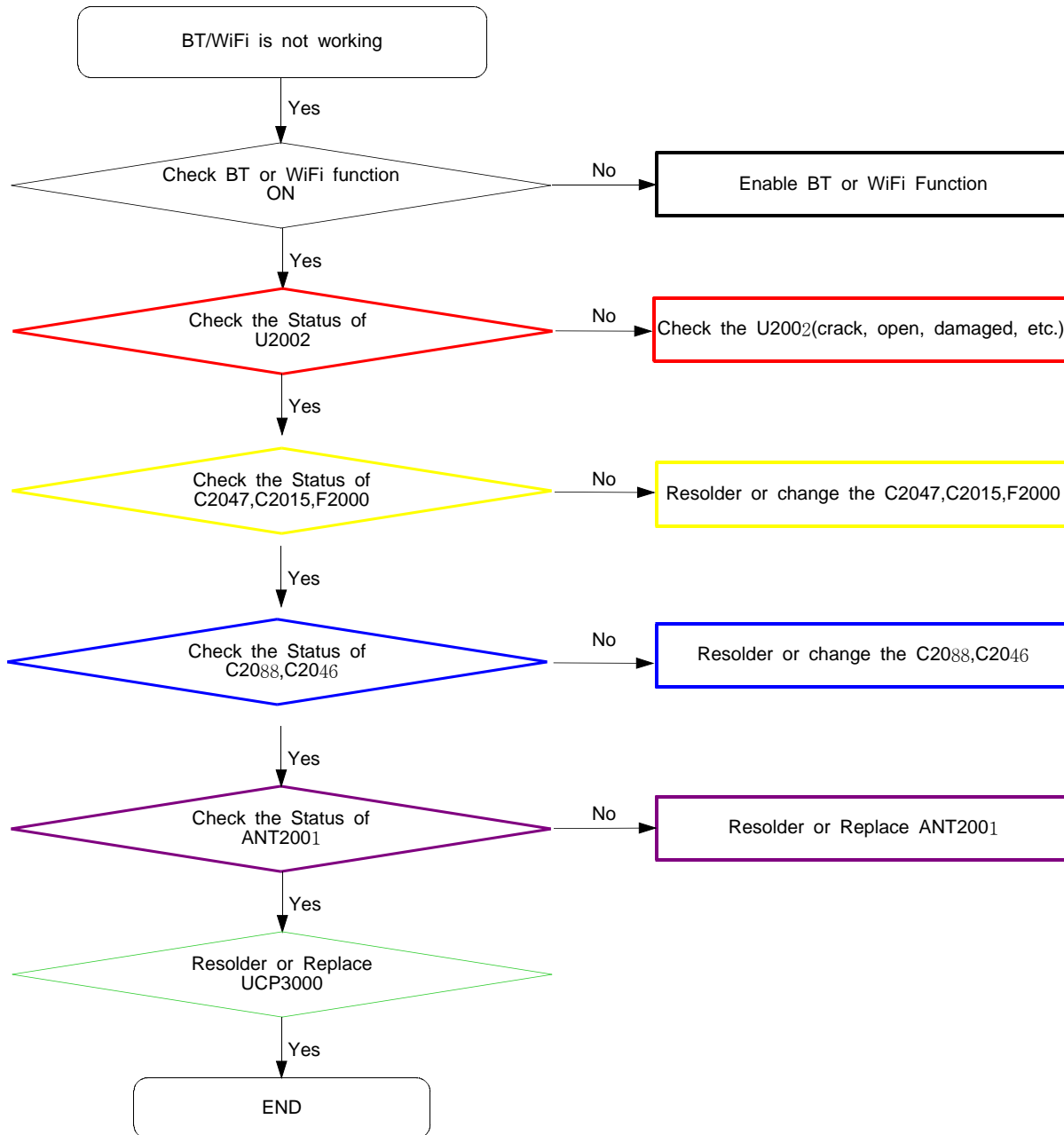


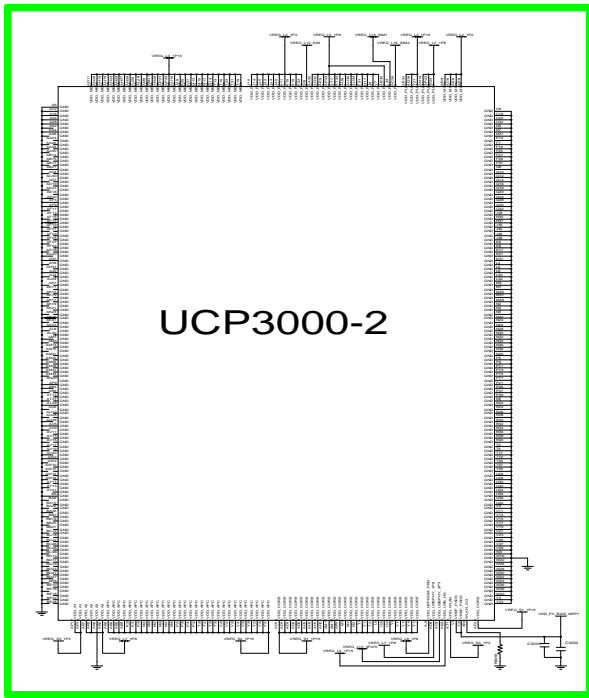
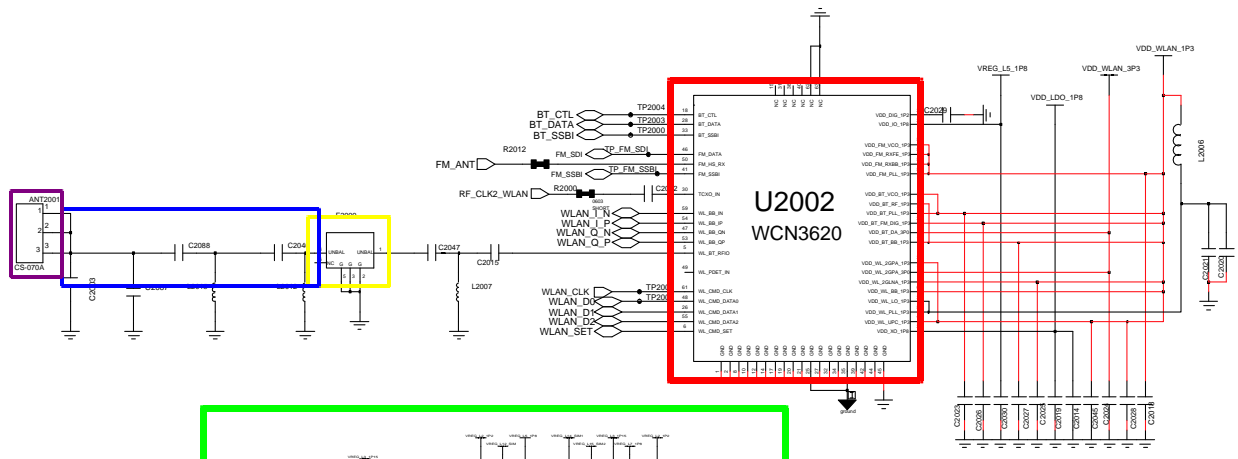
8-4-10. Receiver Part



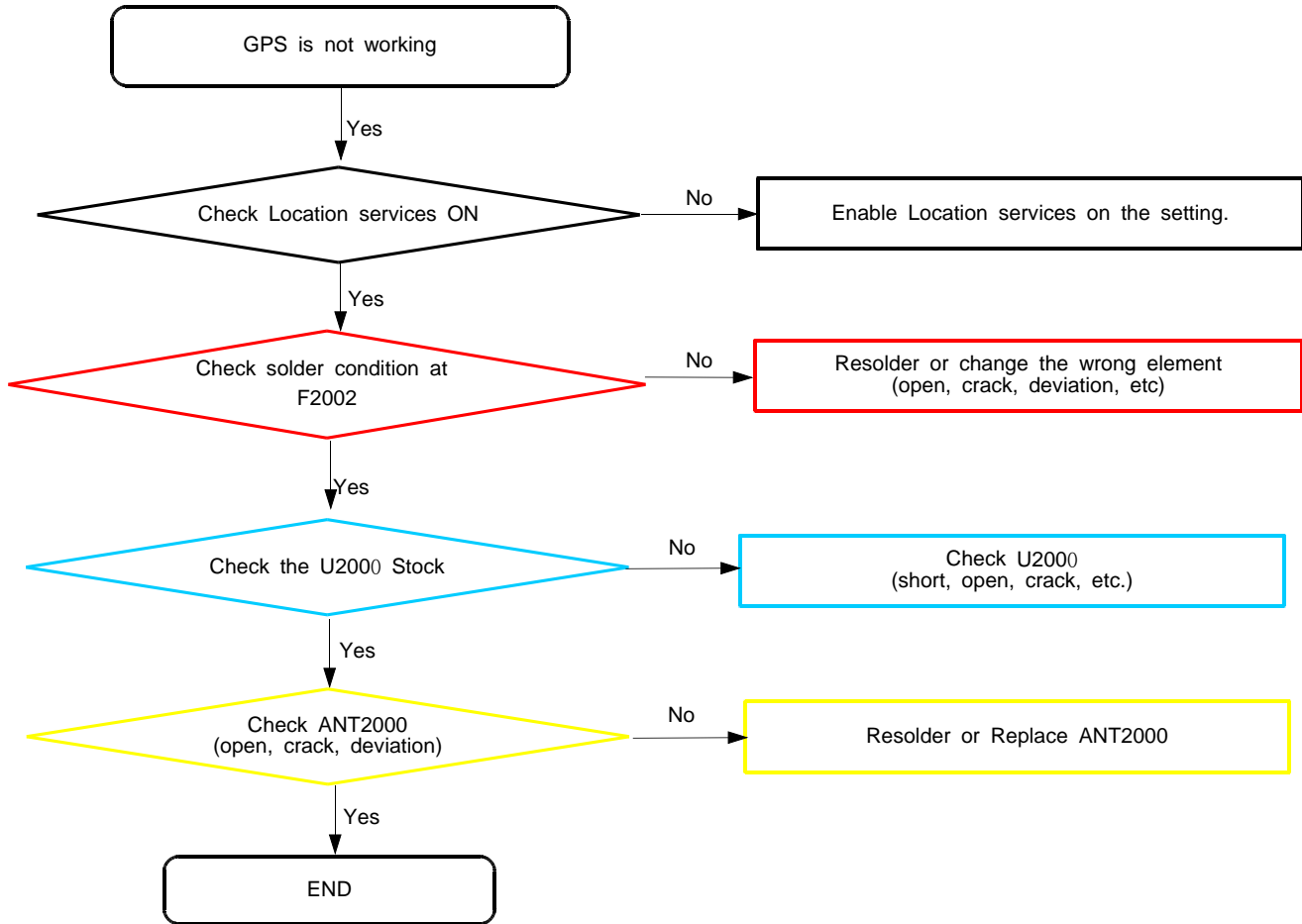


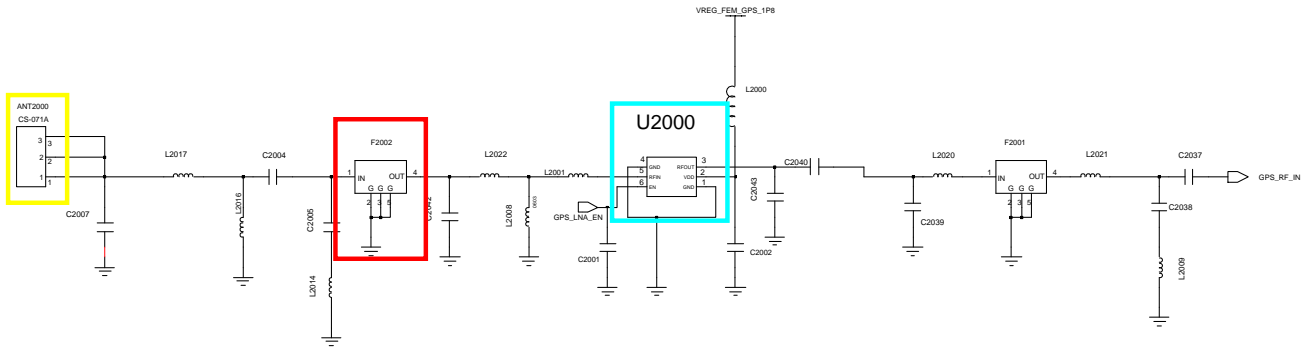
8-4-11. BT/WIFI



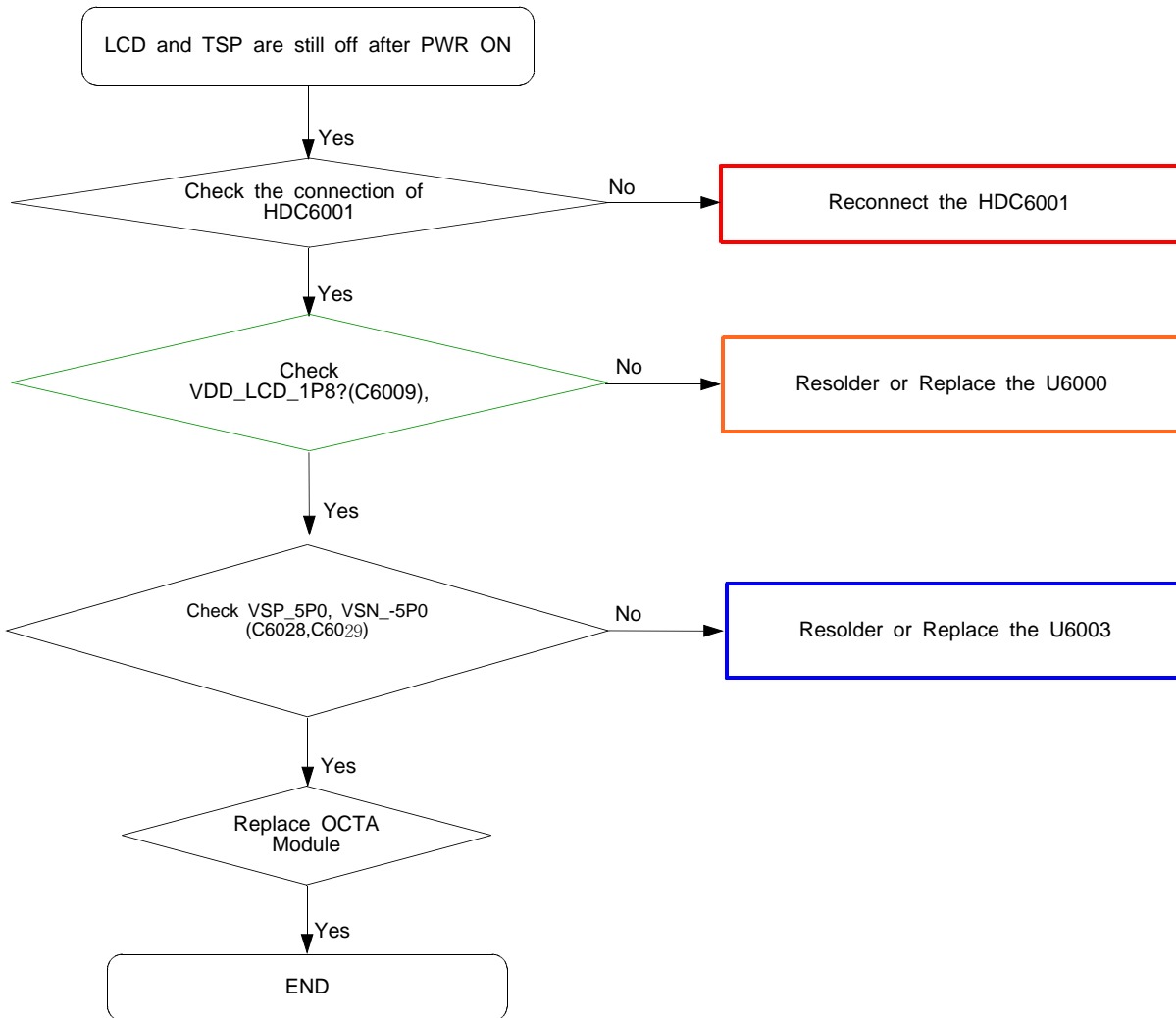


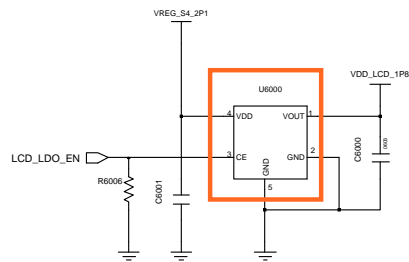
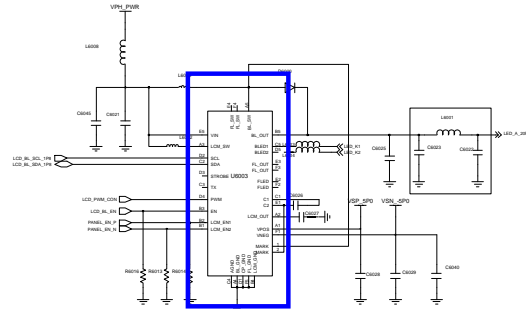
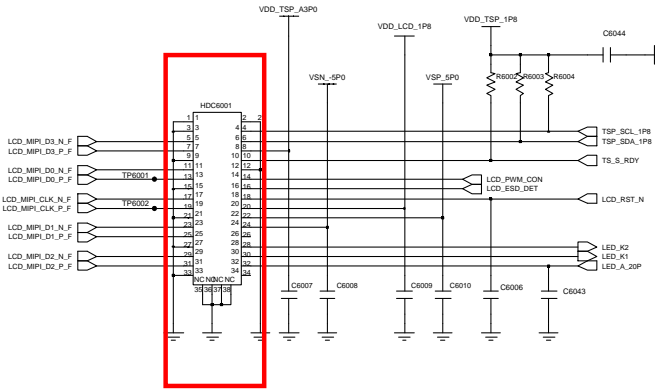
8-4-12. GPS



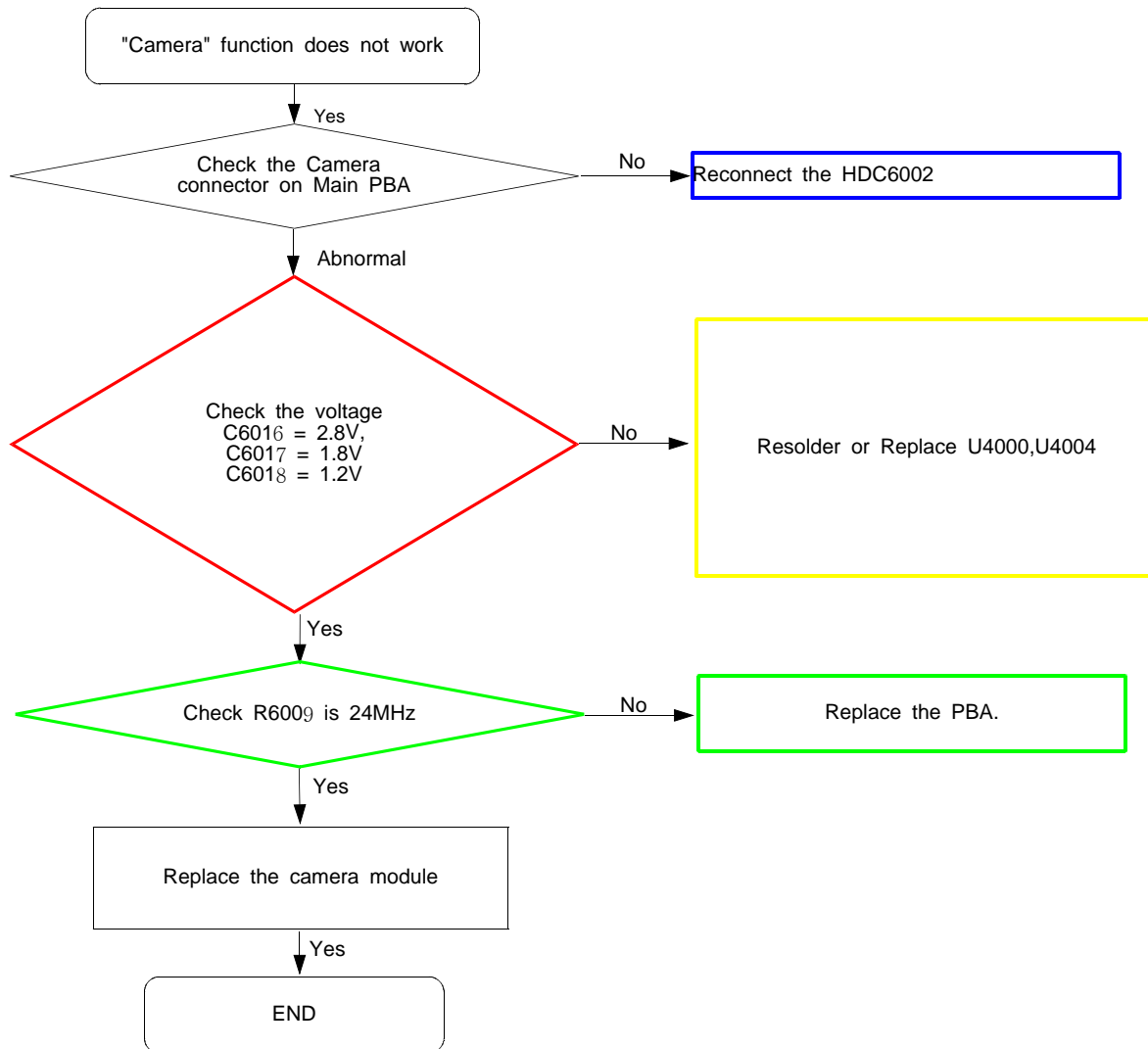


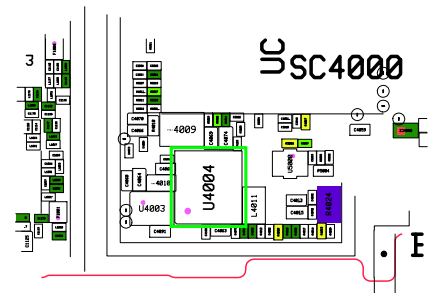
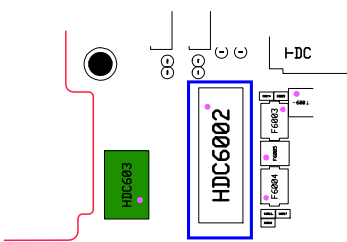
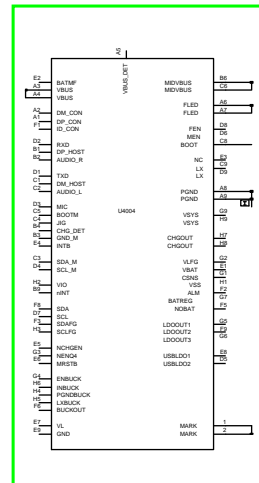
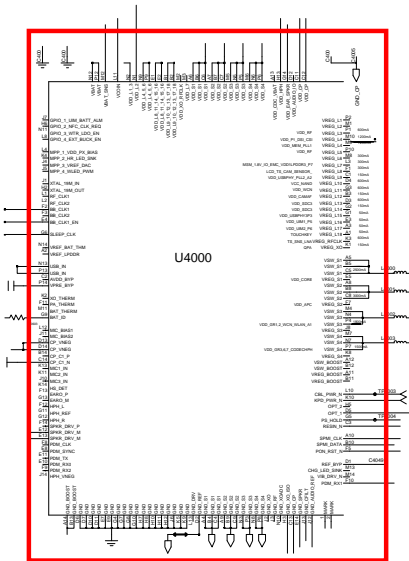
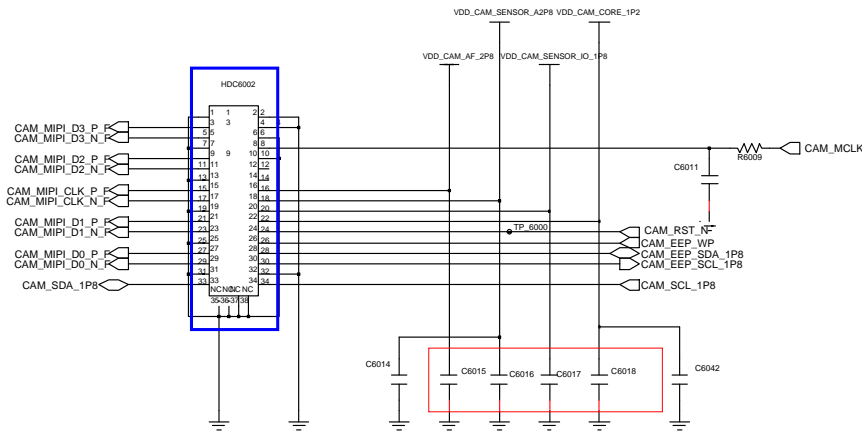
8-4-13. LCD,TSP



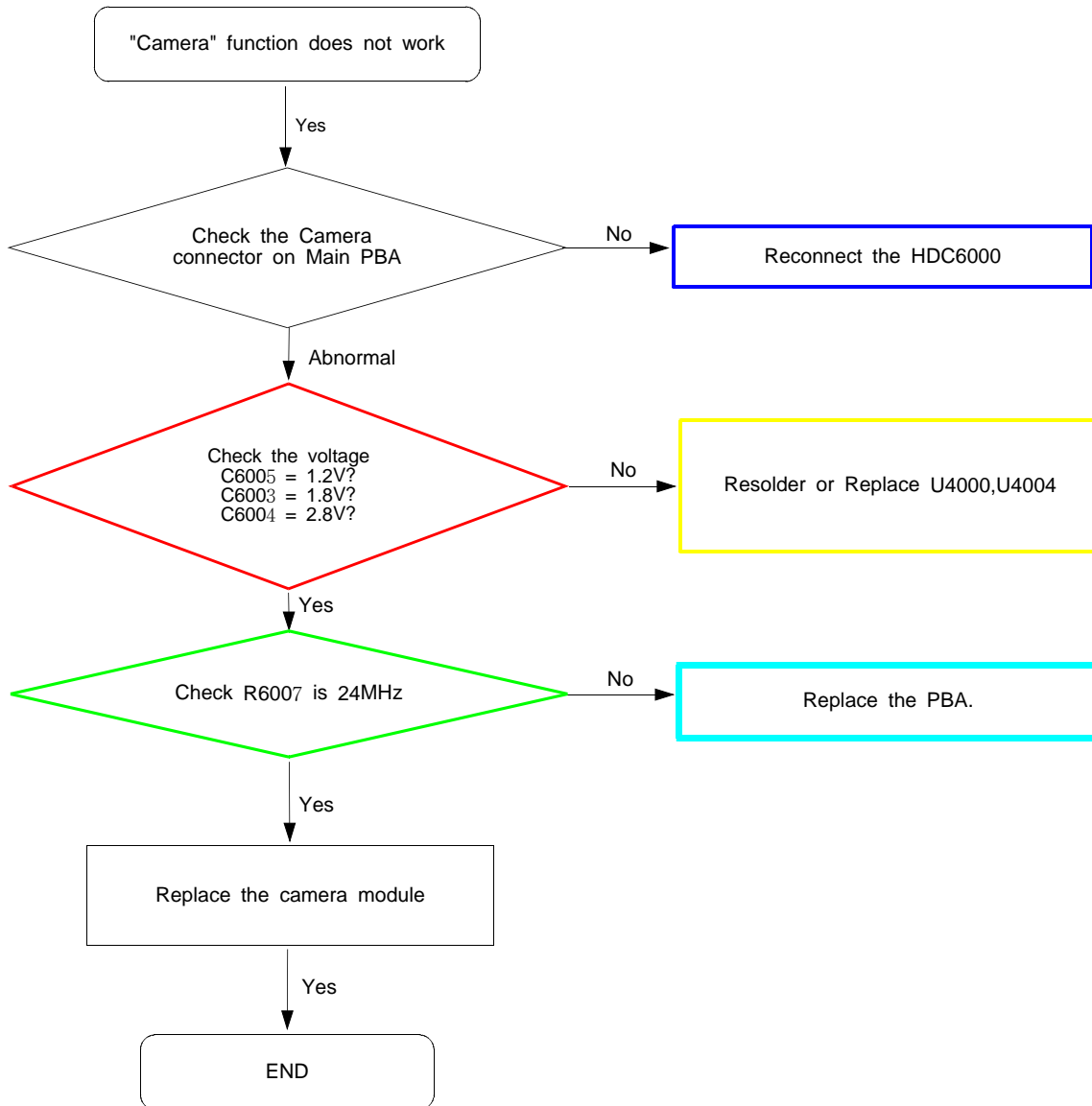


8-4-15. 13M CAM

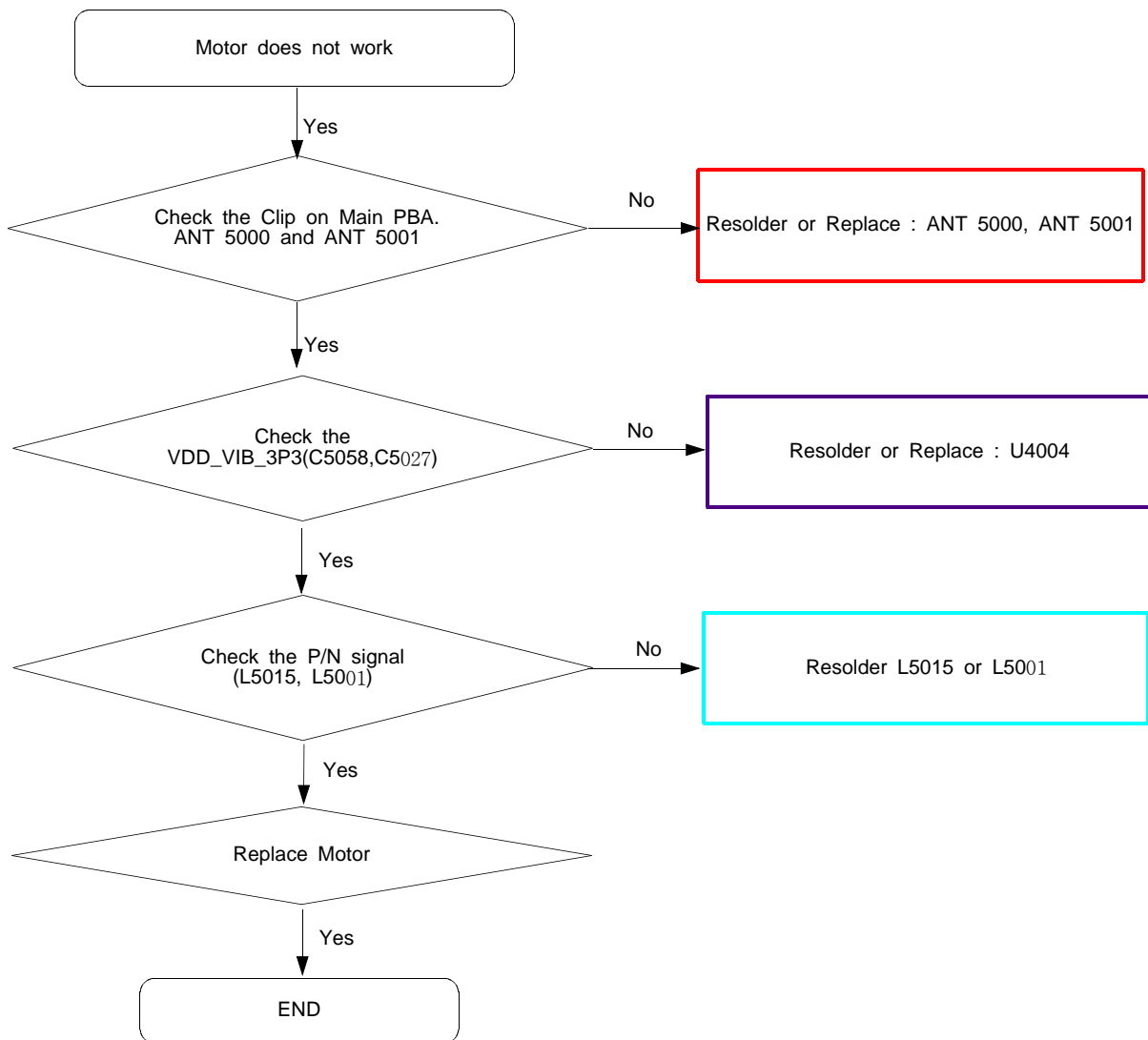


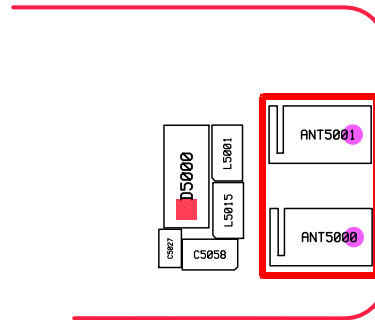
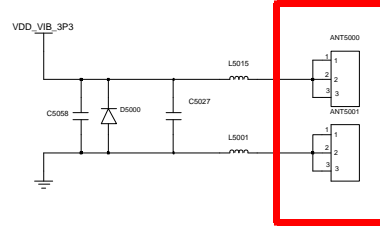
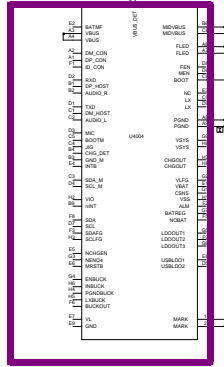


8-4-16. VT CAM

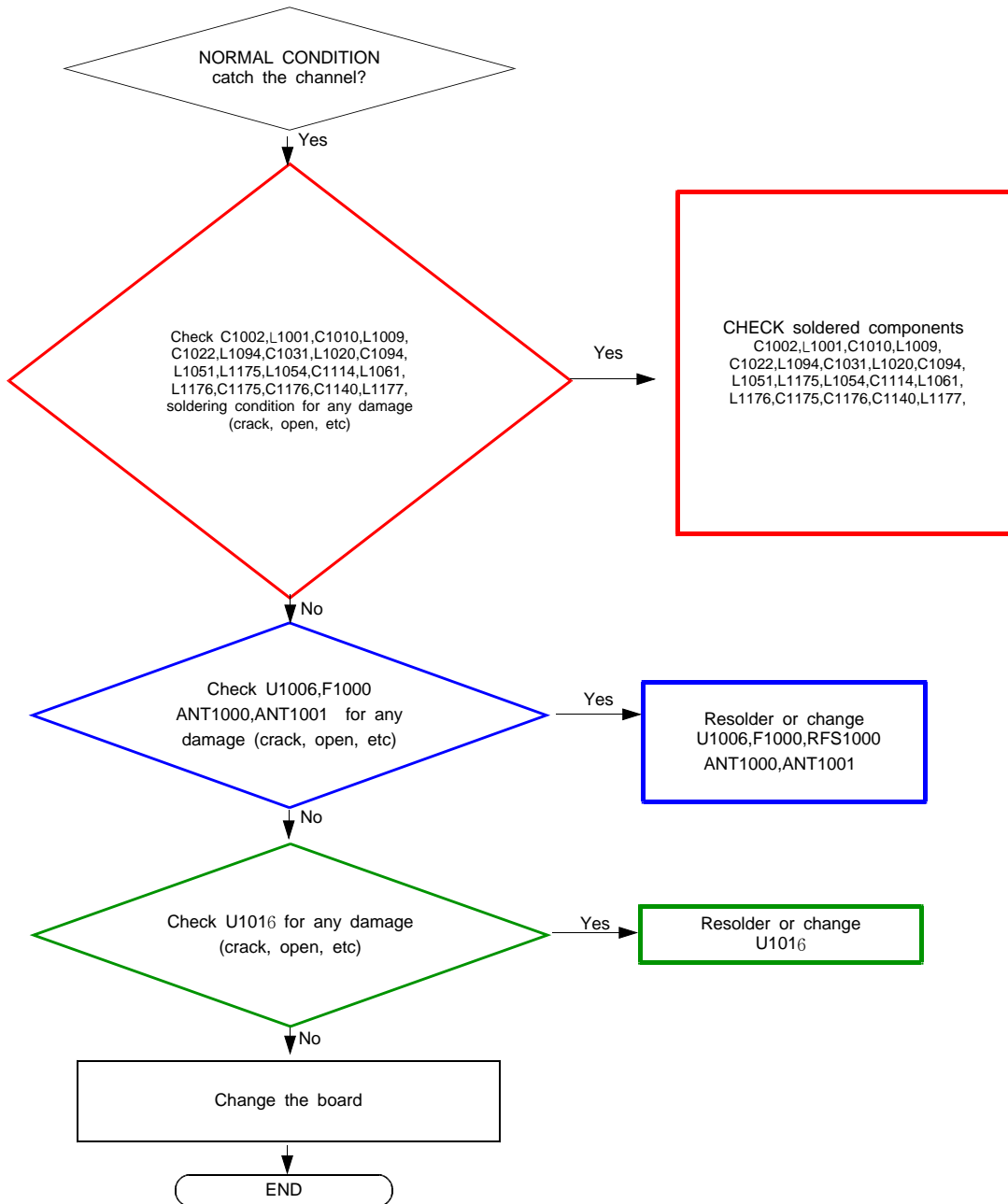


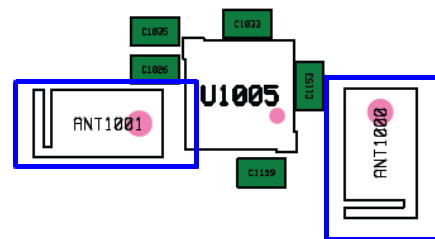
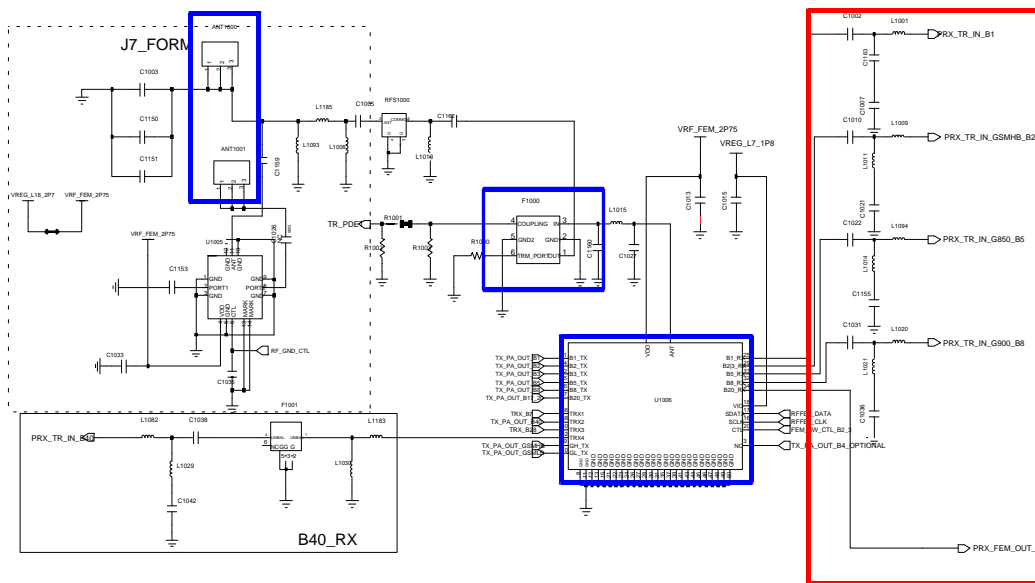
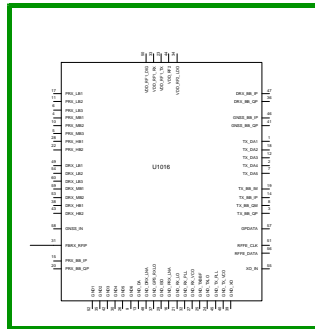
8-4-18. Motor



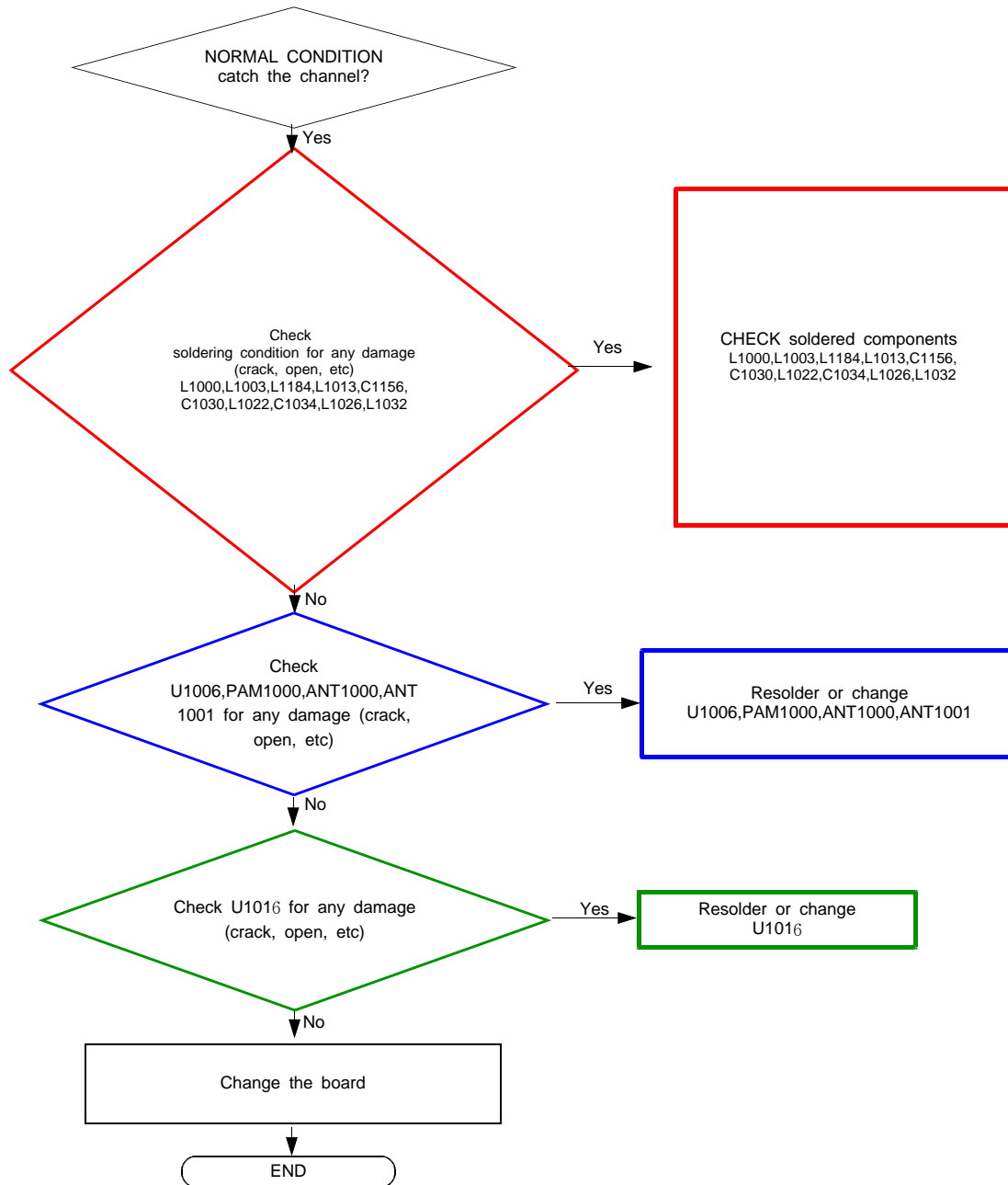


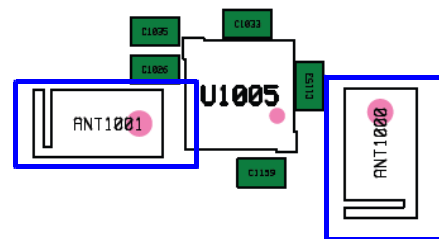
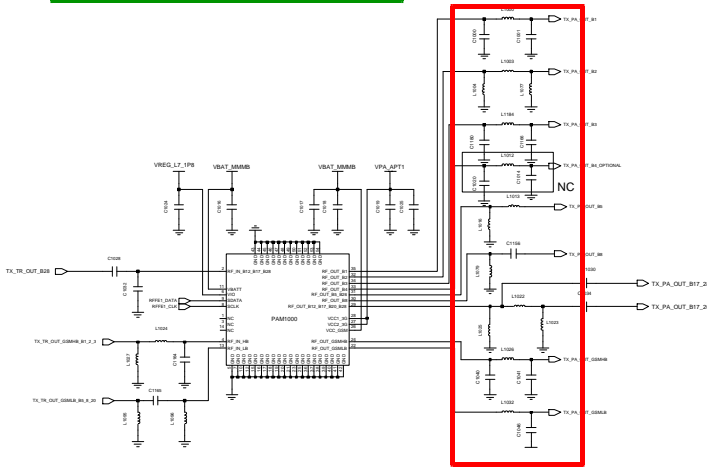
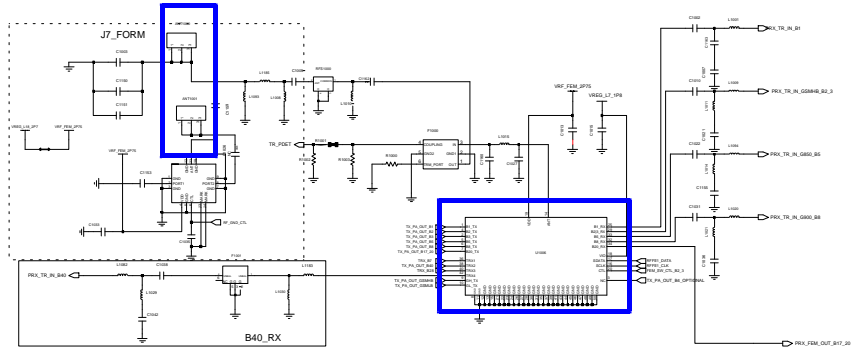
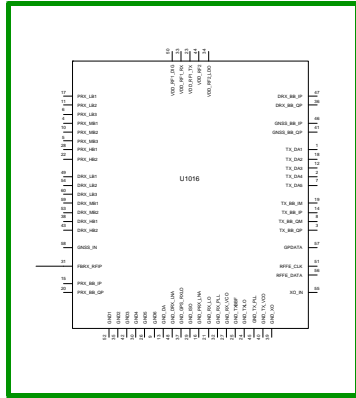
8-4-19. GSM 850,900,1800,1900 / WCDMA 1,2,5,8 / LTE 1,3,5,7,8,20,40 RX





8-4-20. GSM 850,900,1800,1900 / WCDMA 1,2,5,8 / LTE 1,3,5,7,8,20,40 TX





8-5. Service Schematics

- NC point(Top view)
- UCP3000(AP)

