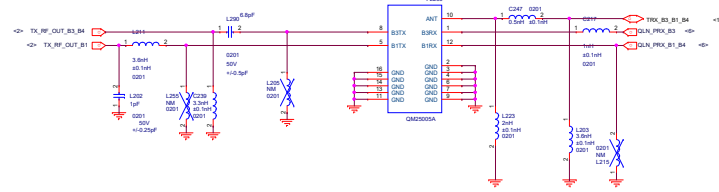
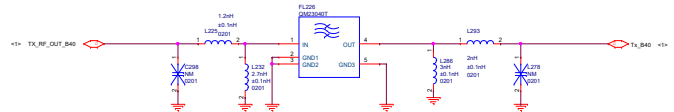


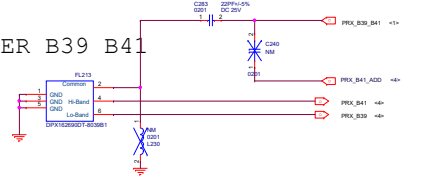
B1 & B3



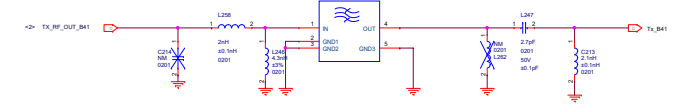
B40



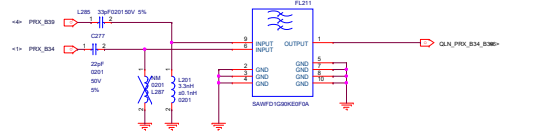
DIPLEXER B39 B41



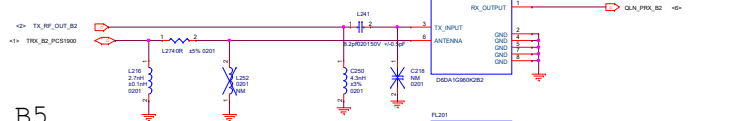
TX B41



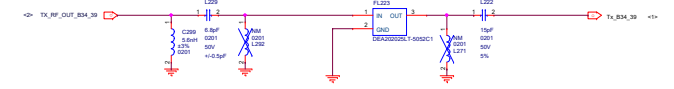
PRX B34 B39



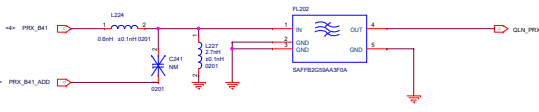
B2



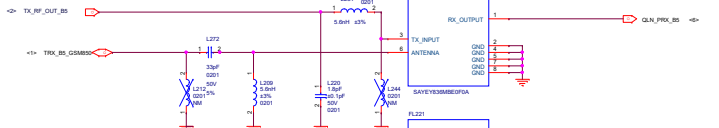
TX TDS



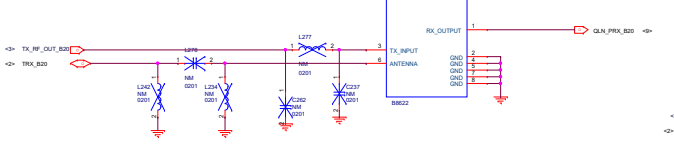
PRX B41



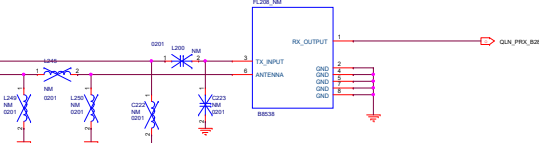
B5



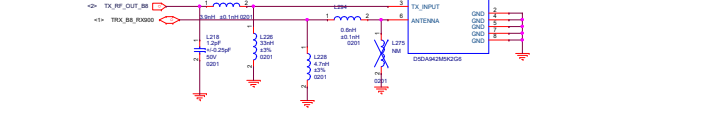
TX B20



TX B28A



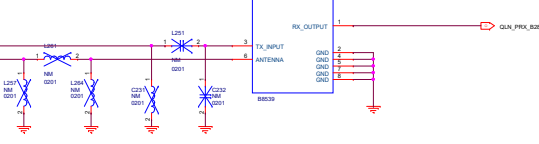
B8



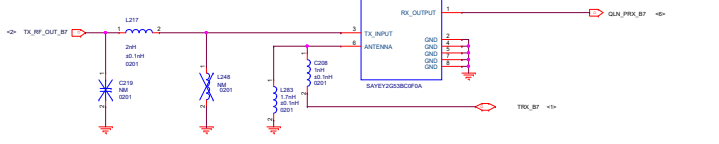
Thermal

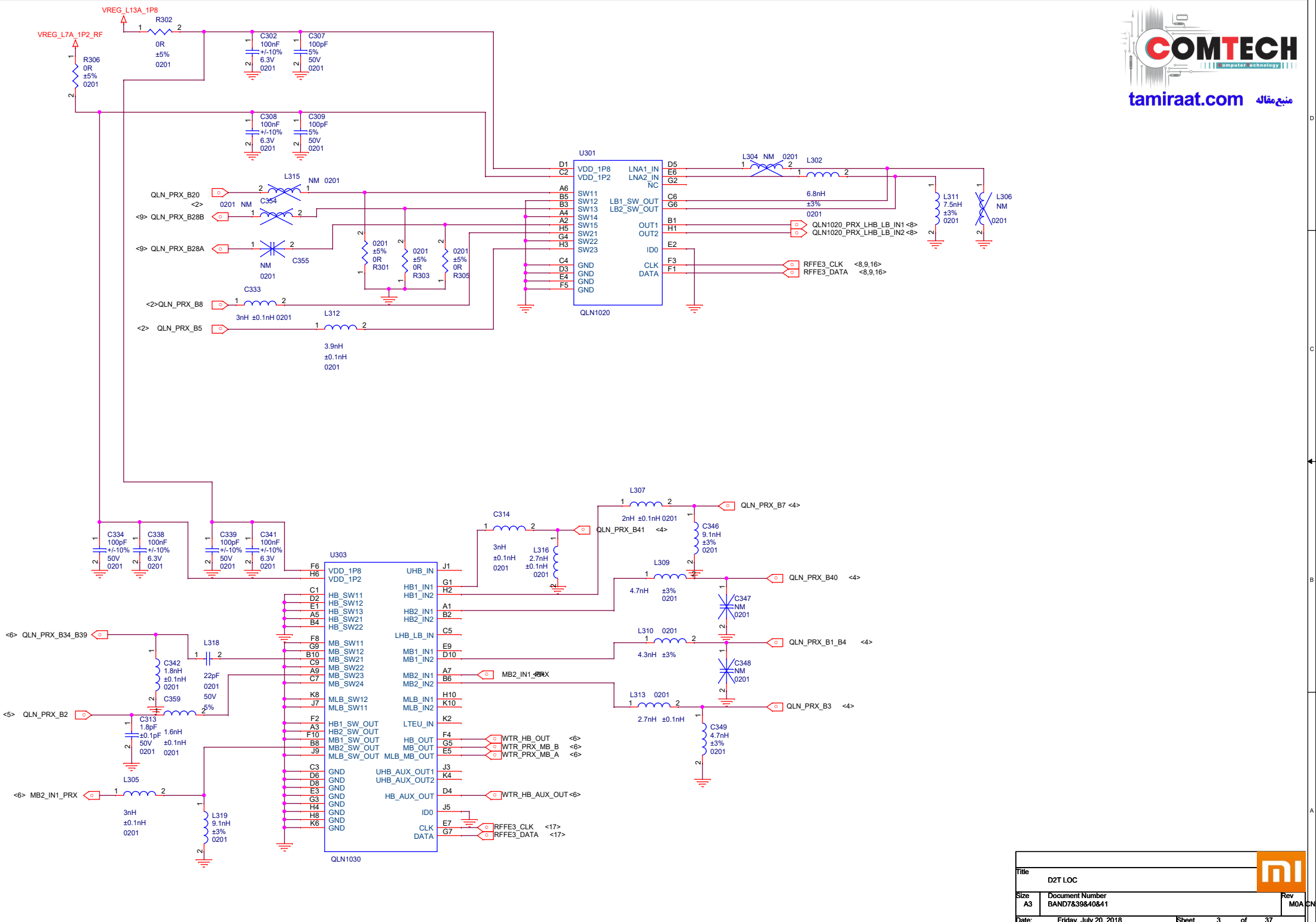


TX B28B

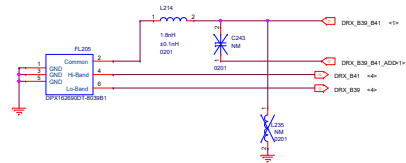


B7

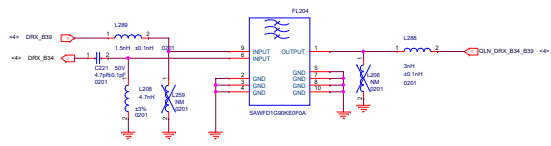




### DIPLEXER B39 B41



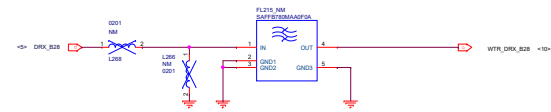
### DRX B34 B39



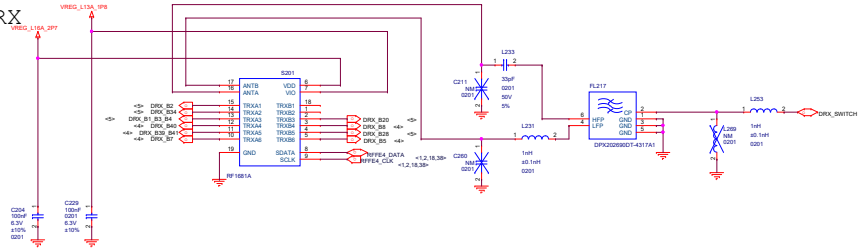
### DRX B41



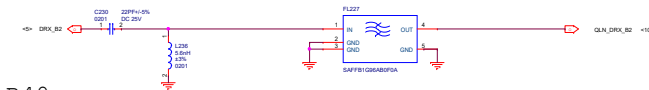
### DRX B28



### DRX



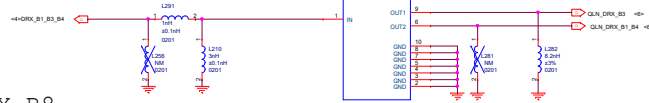
### DRX B2



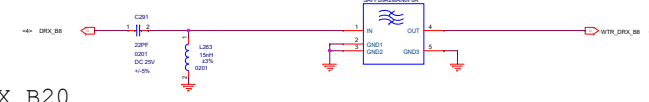
### DRX B40



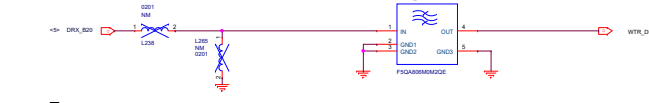
### DRX B1 & 3 & 4



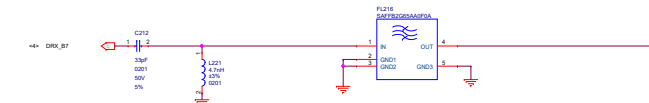
### DRX B8



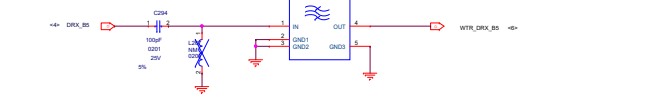
### DRX B20

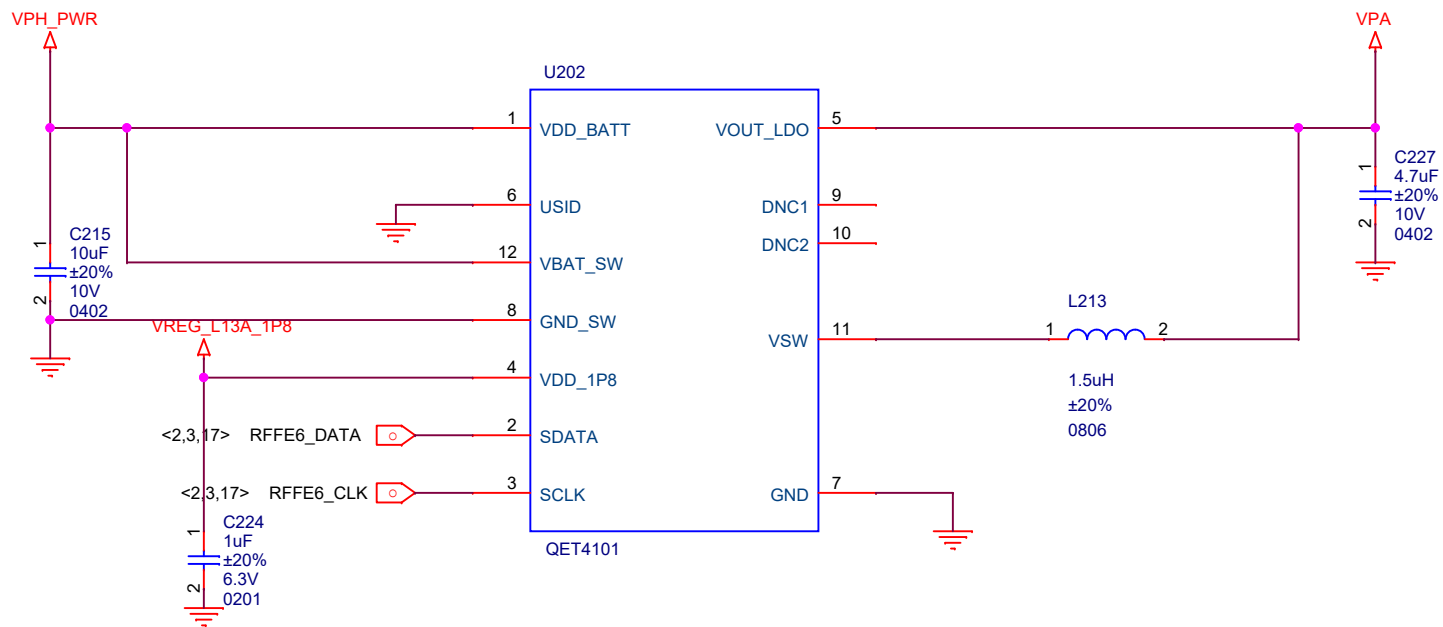


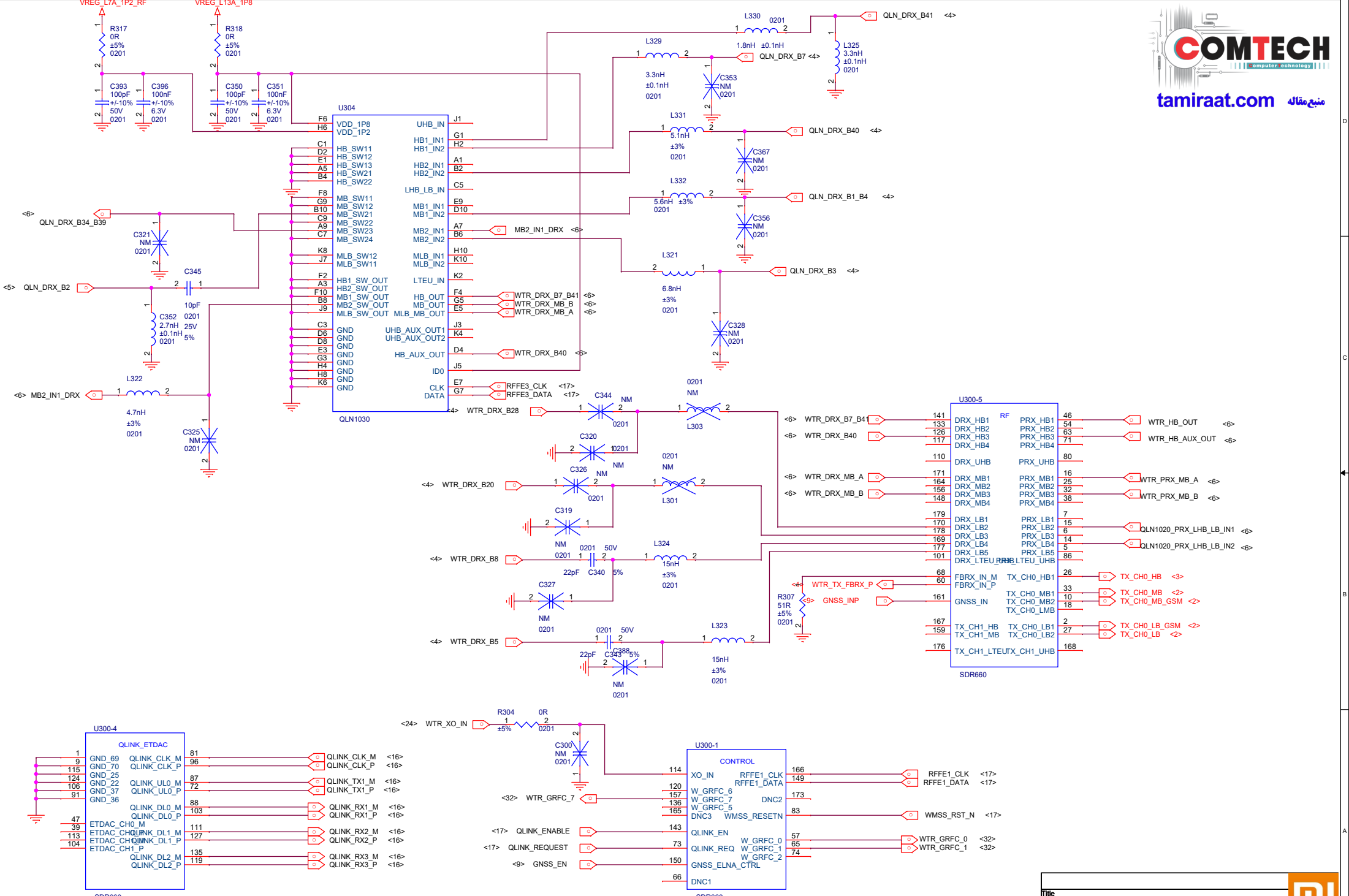
### DRX B7



### DRX B5

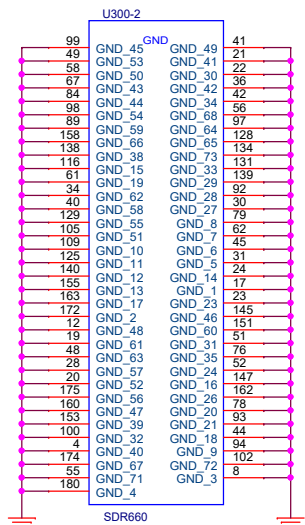
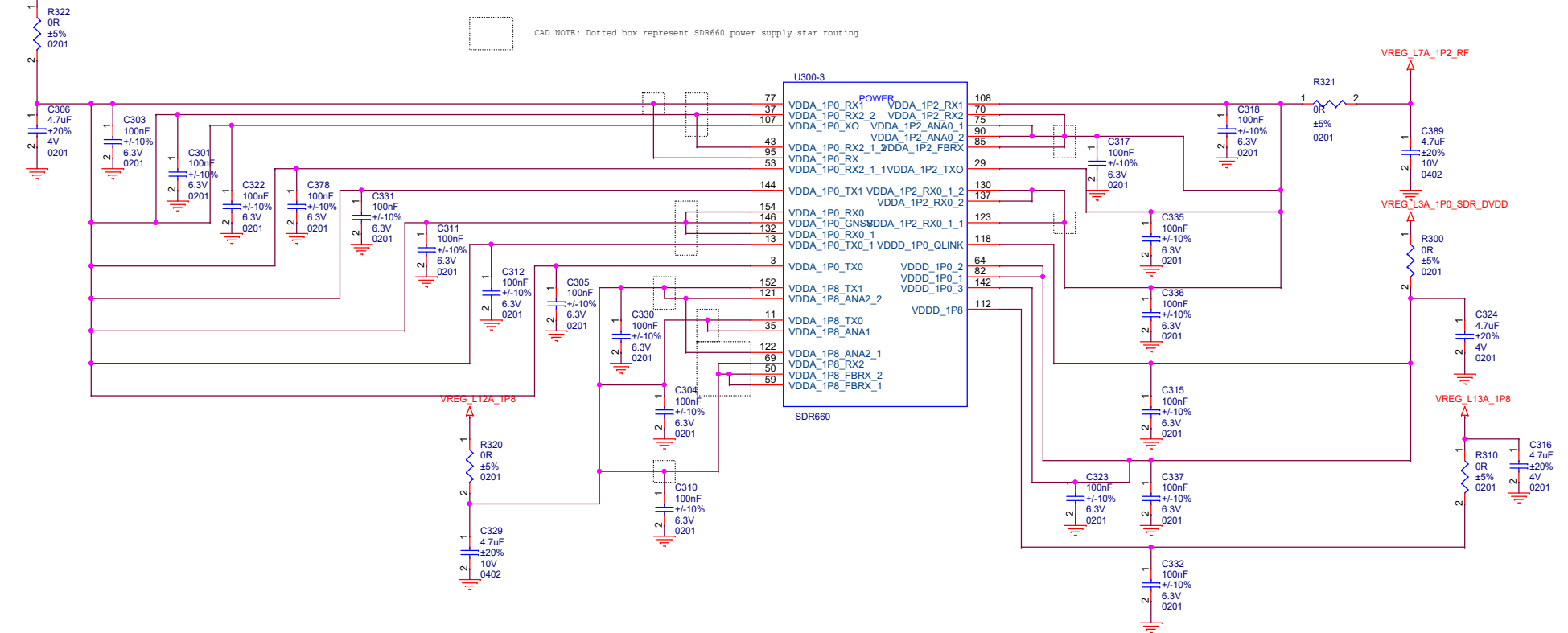


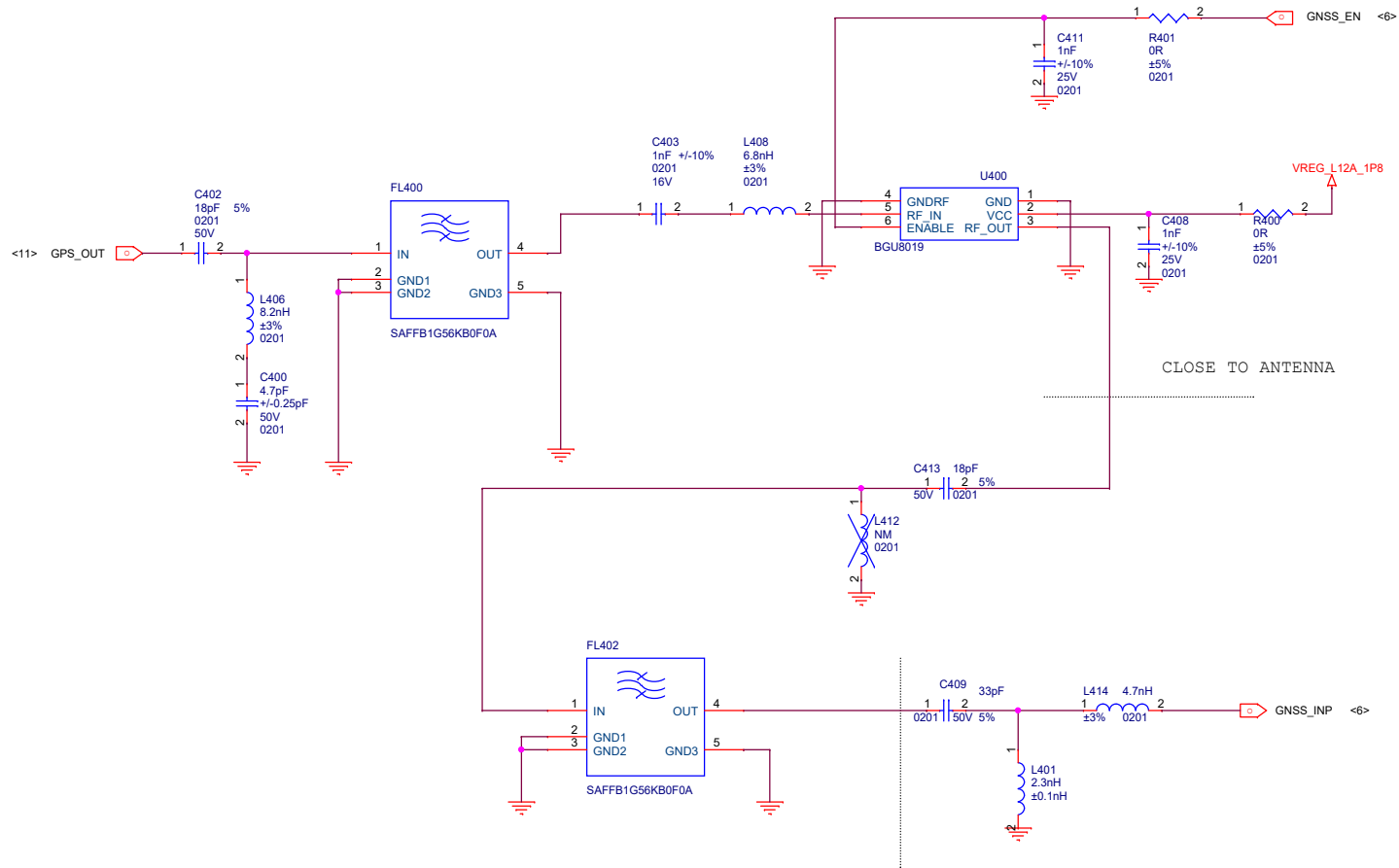




VREG\_L2A\_1P0\_SDR\_AVDD

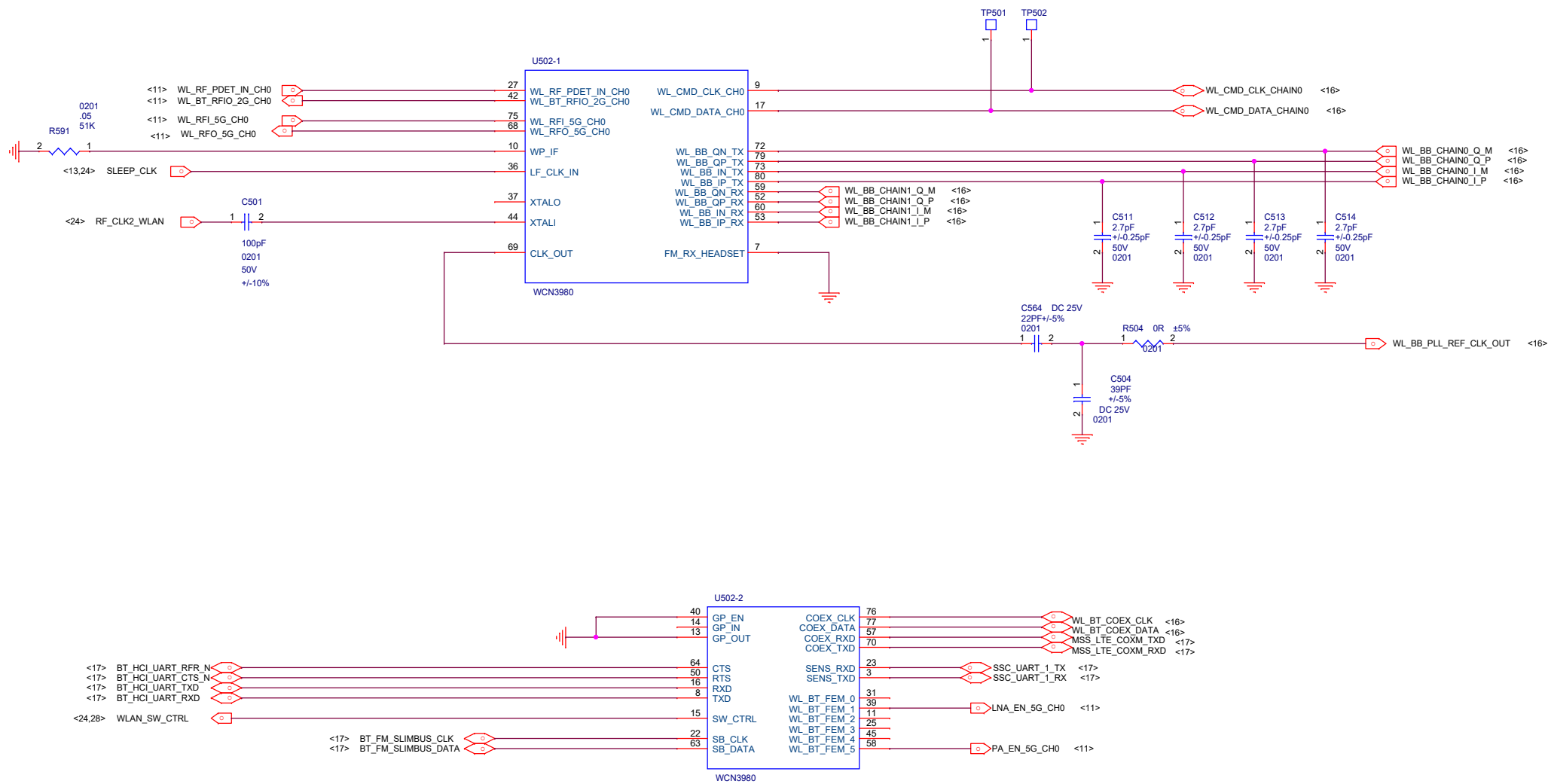
CAD NOTE: Dotted box represent SDR660 power supply star routing

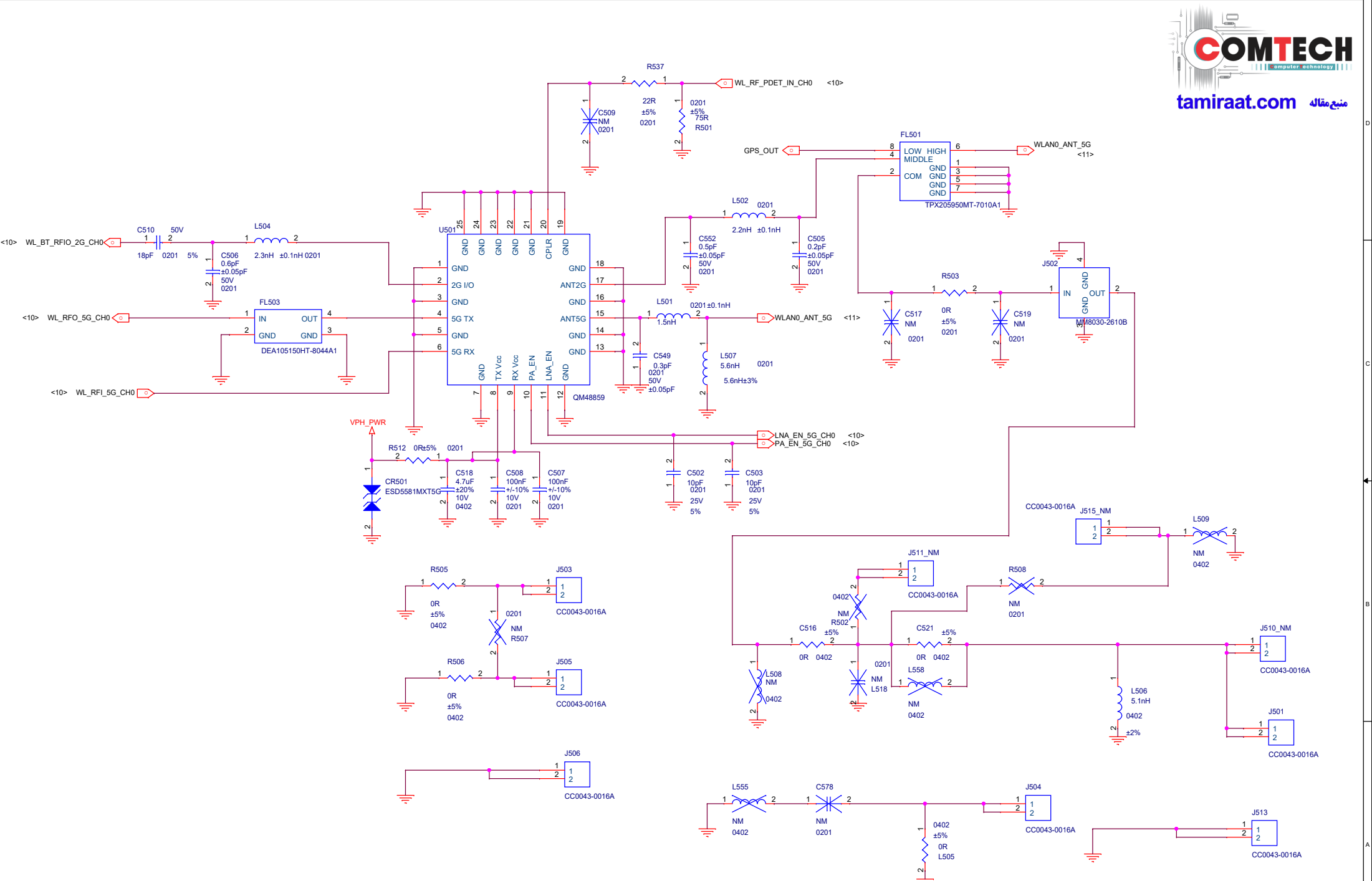




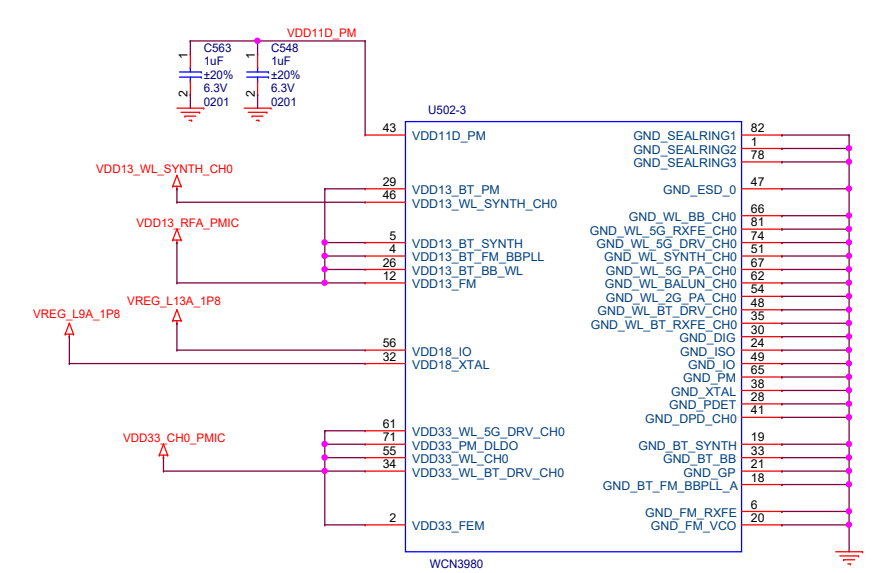
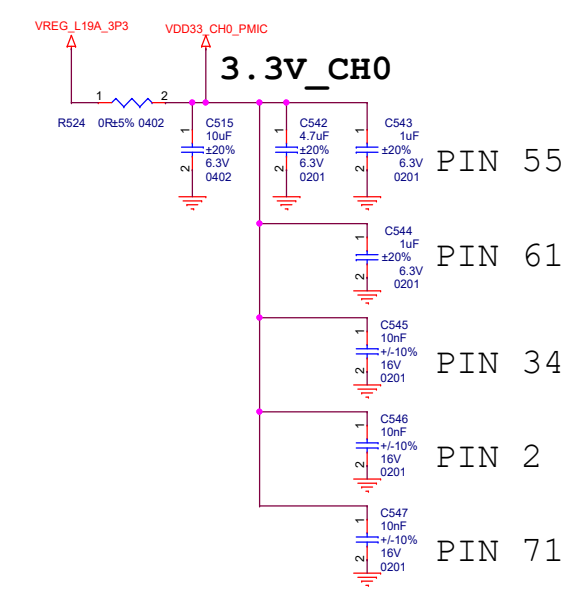
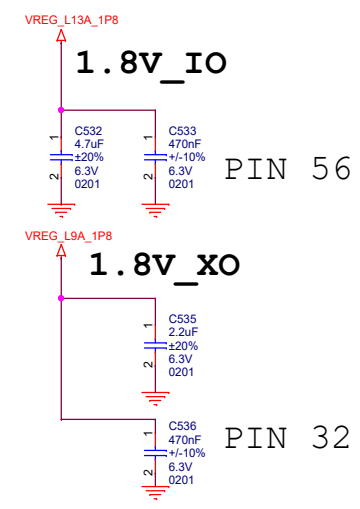
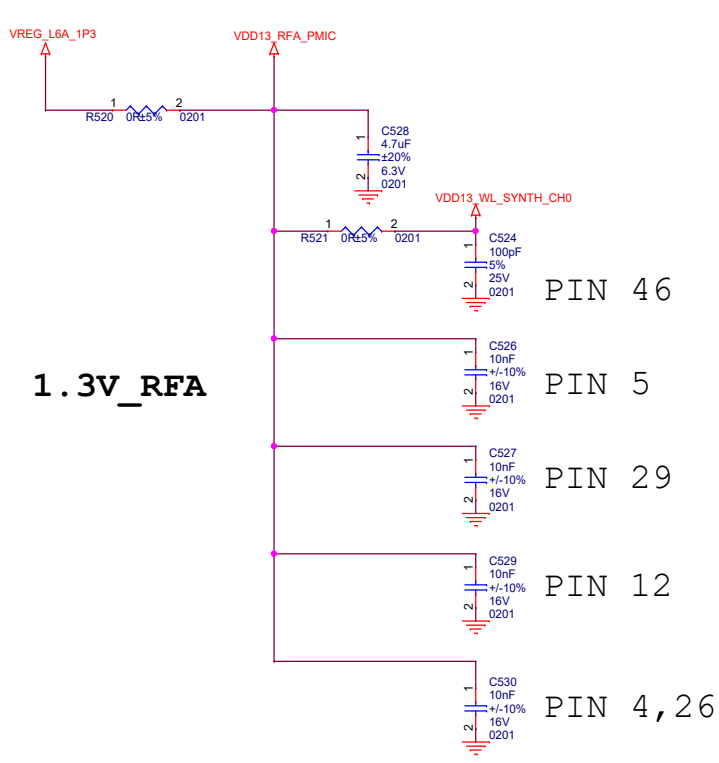
Title		
D2T LOC		
Size	Document Number	Rev
A3	GPS	MOA CN
Date:	Friday, July 20, 2018	Sheet 9 of 37



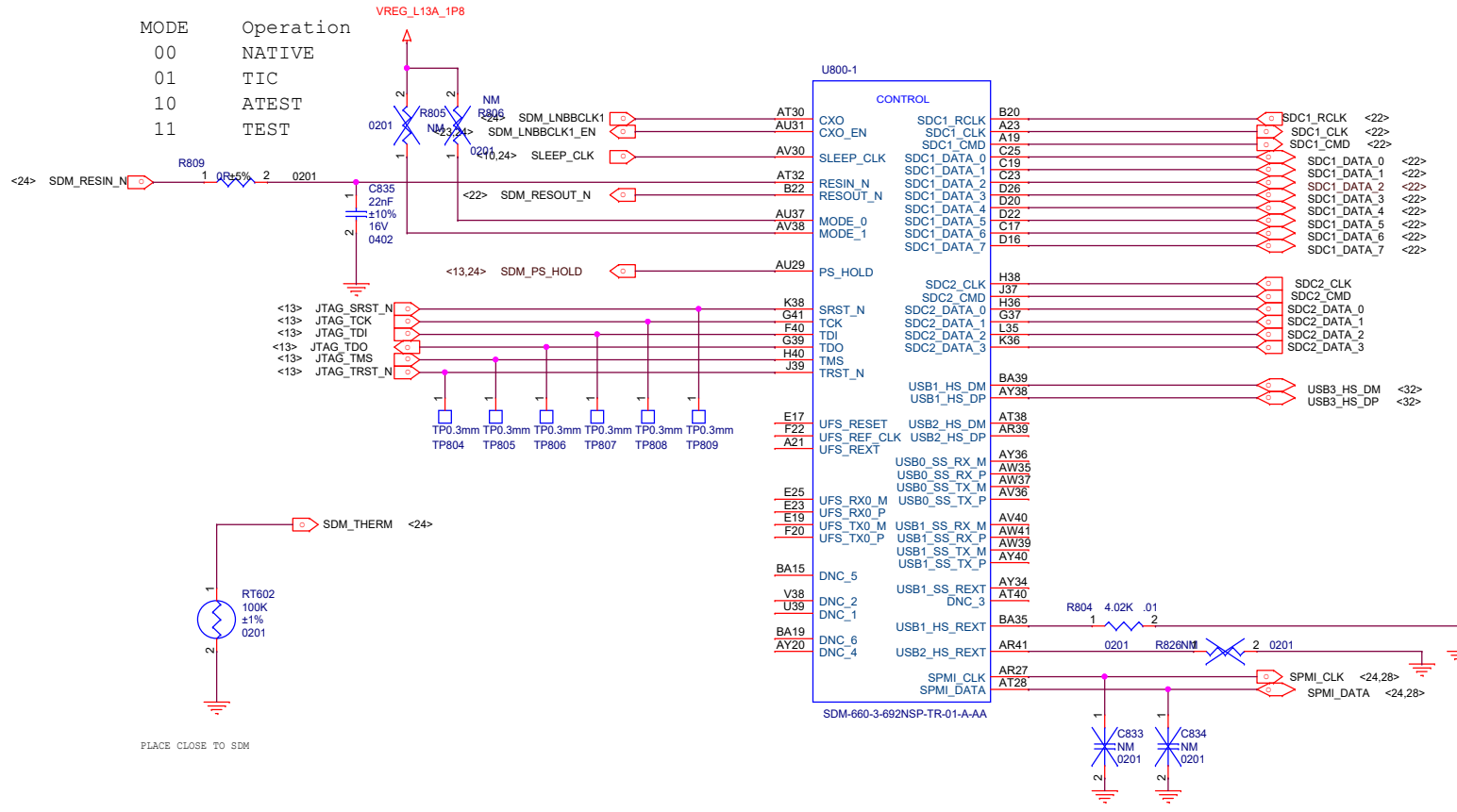


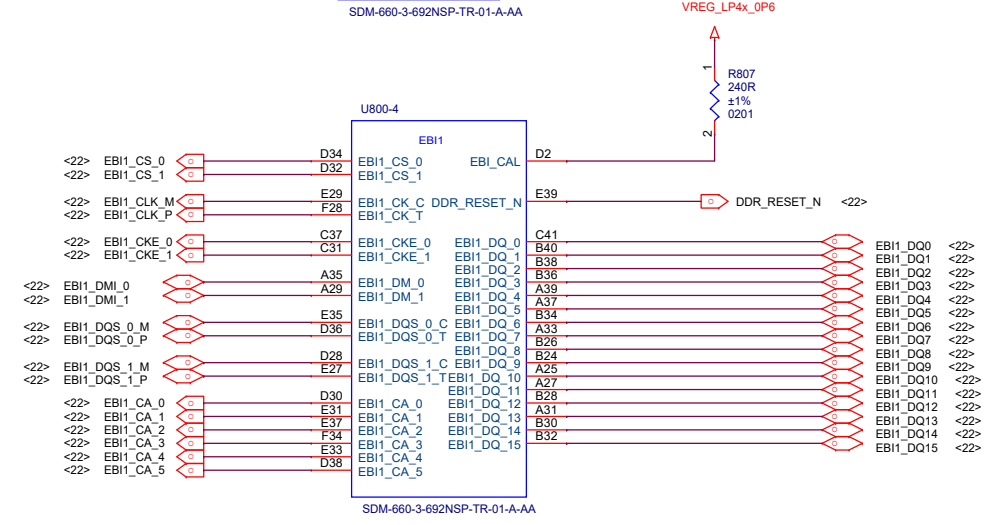
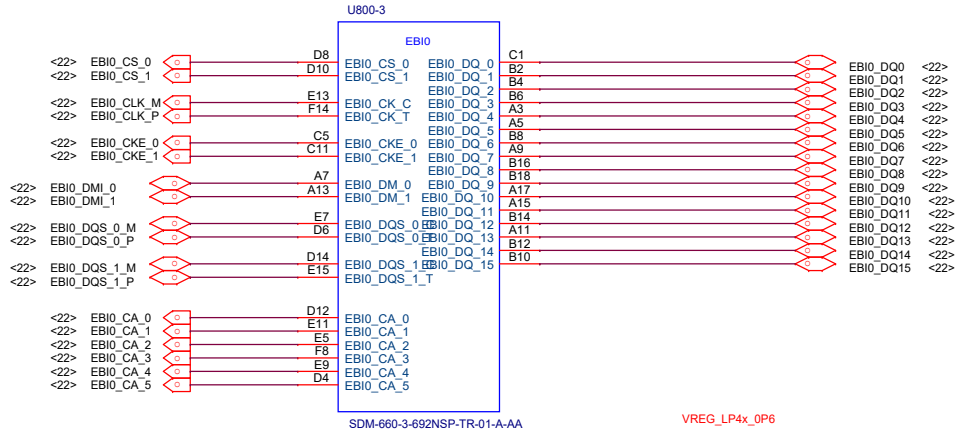


Title		
D2T LOC		
Size	Document Number	Rev
A3	BT/WIFI FEM	MOA CN
Date:	Friday, July 20, 2018	Sheet 11 of 37

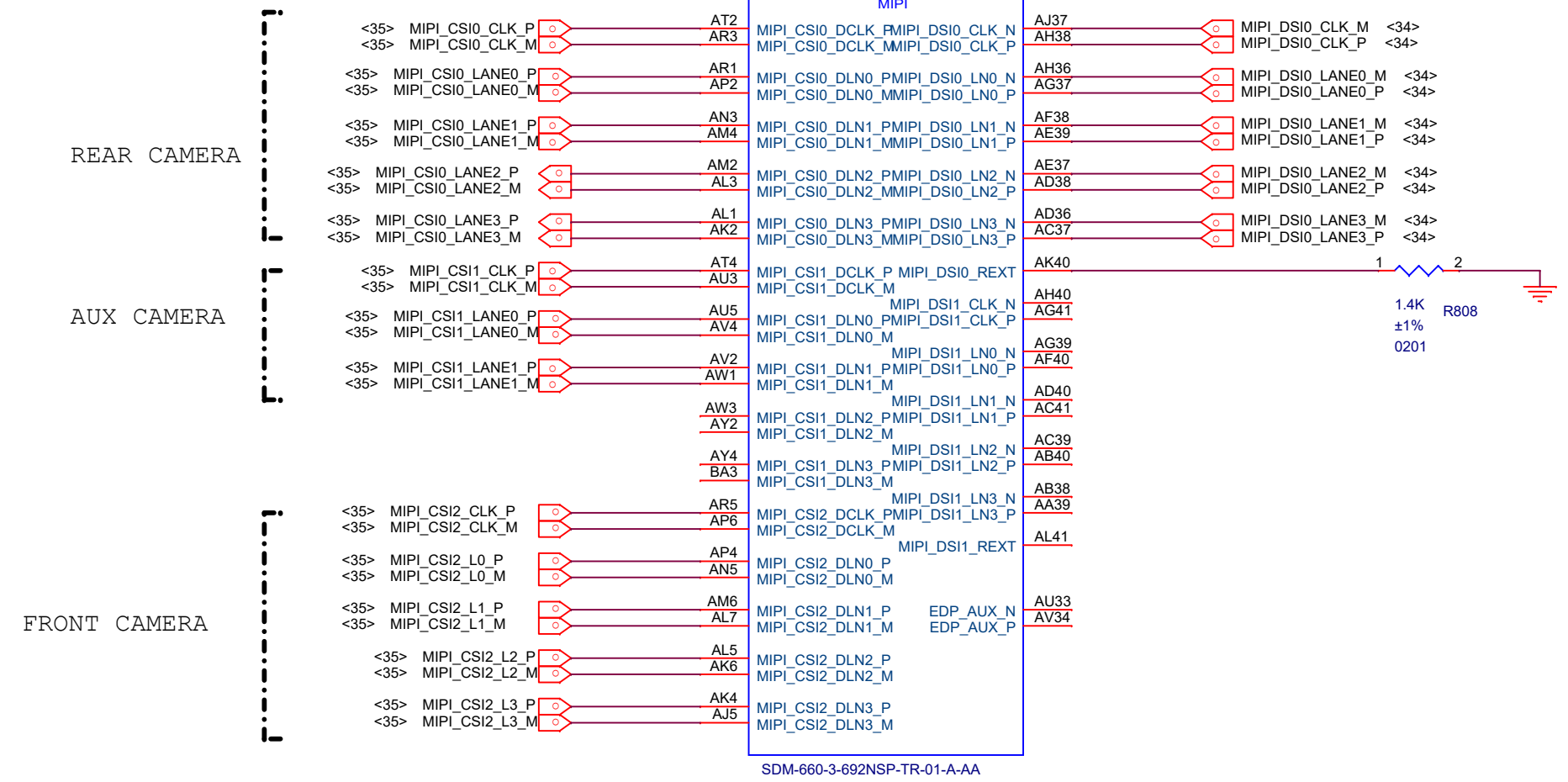


MODE	Operation
00	NATIVE
01	TIC
10	ATEST
11	TEST

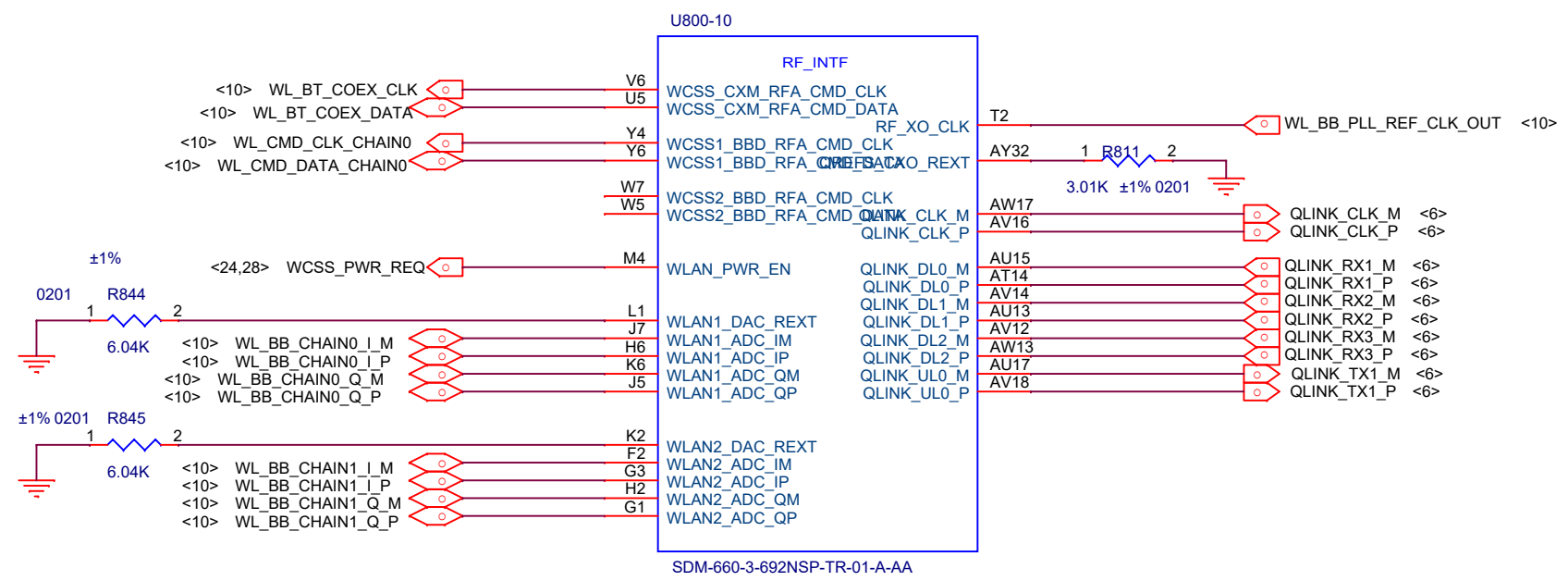




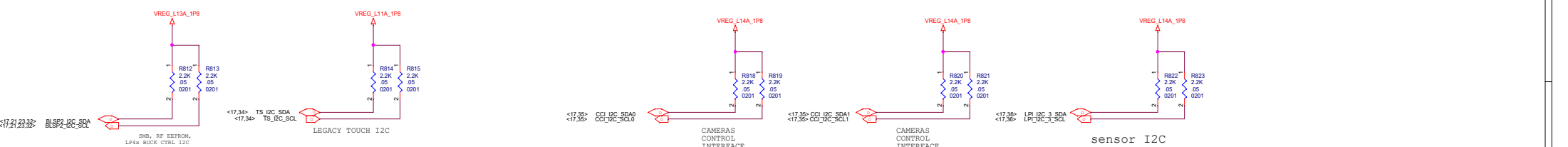
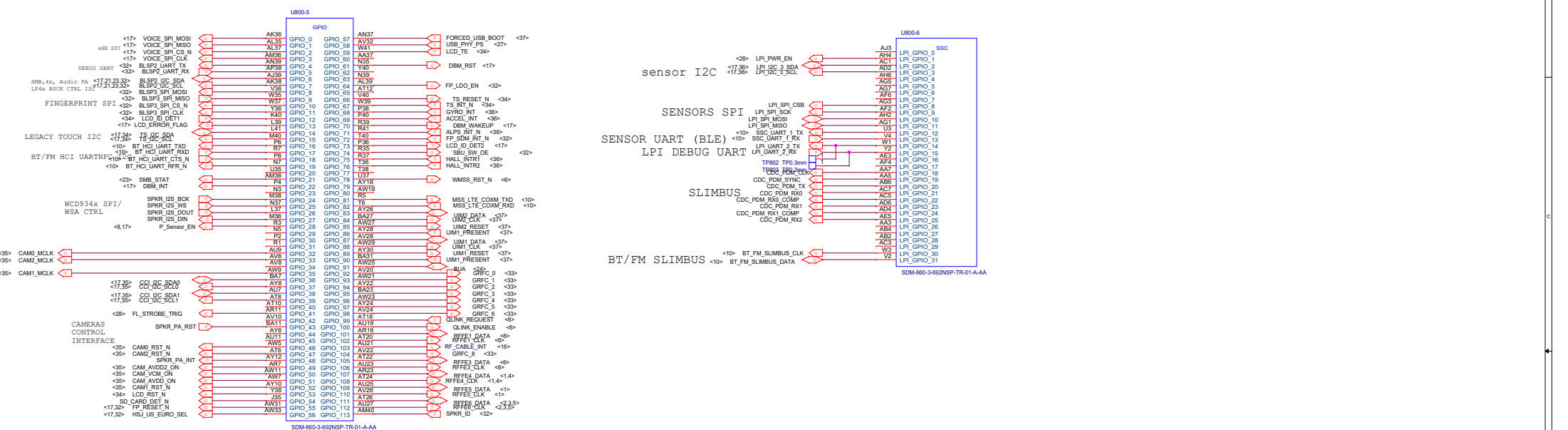
U800-7



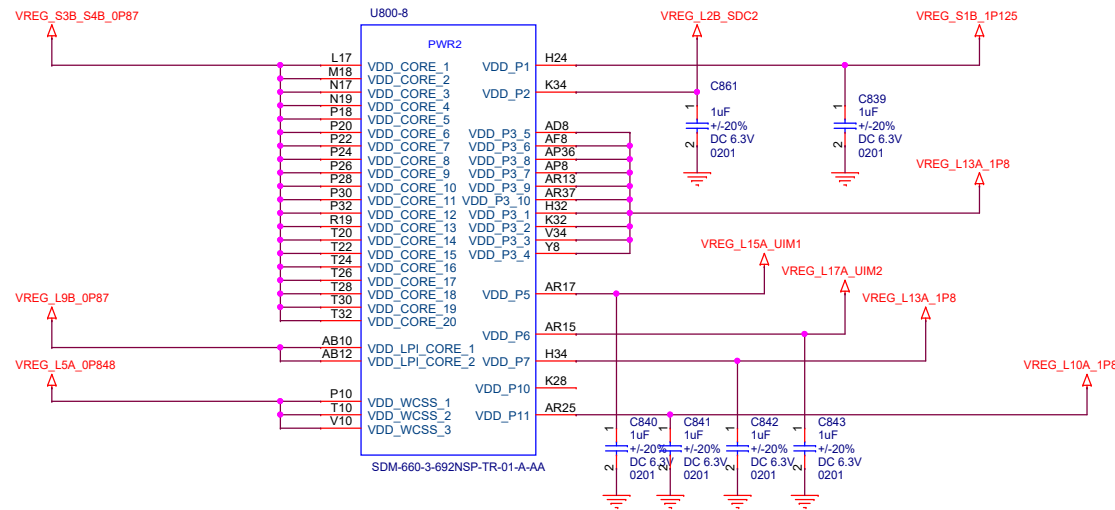
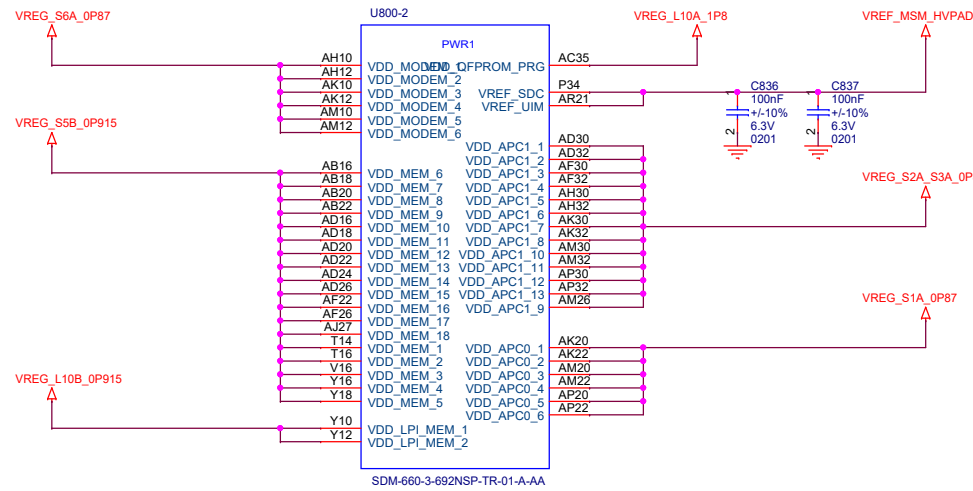
Title		
D2T LOC		
Size	Document Number	Rev
A4	SDM660 CSI/DSI	M0A
Date:	Friday, July 20, 2018	Sheet 15 of 37

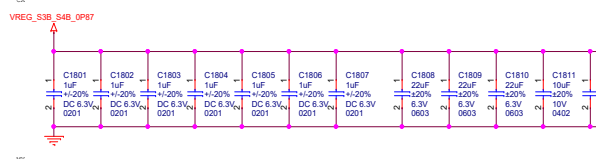
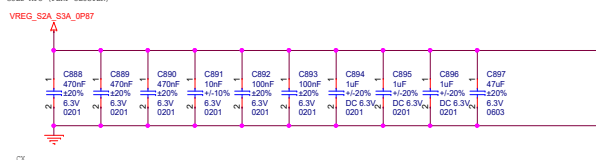
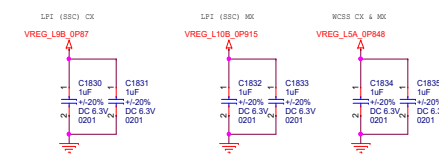
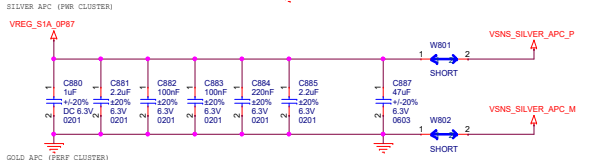
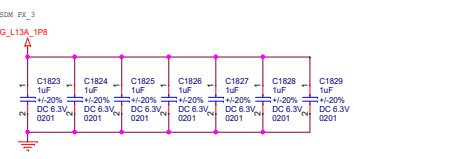
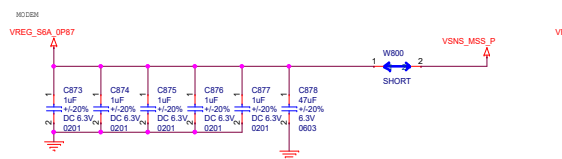
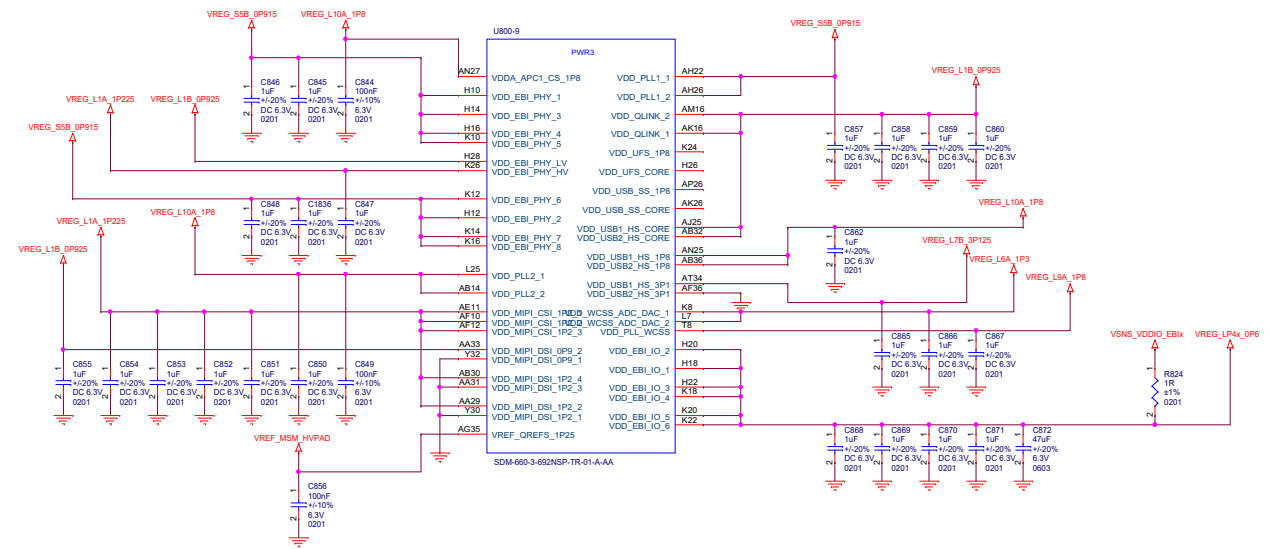


Title		
D2T LOC		
Size	Document Number	Rev
A4	SDM660 WLAN/QLINK	M0A
Date:	Friday, July 20, 2018	Sheet 16 of 37

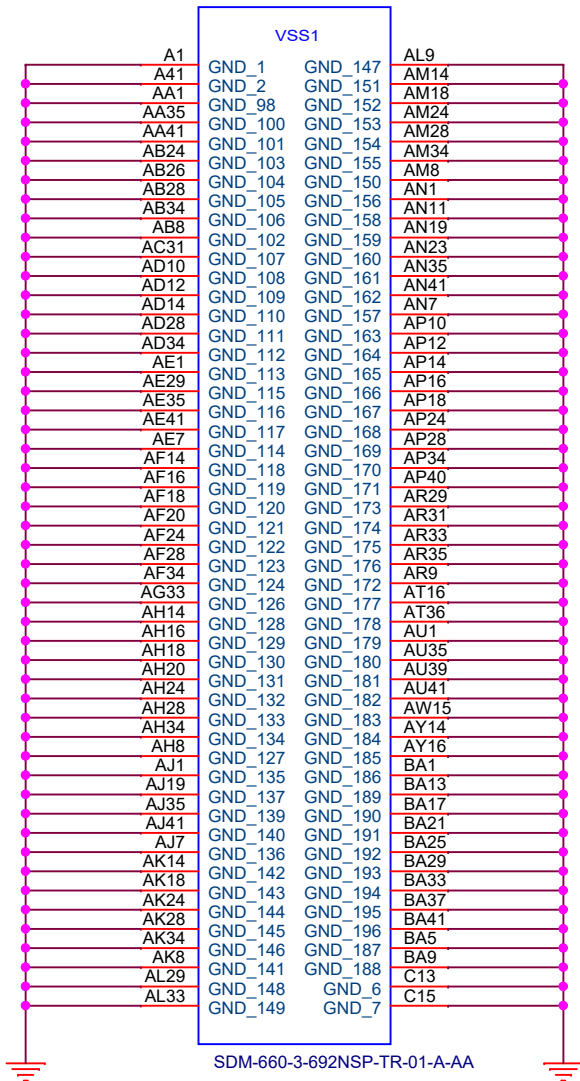




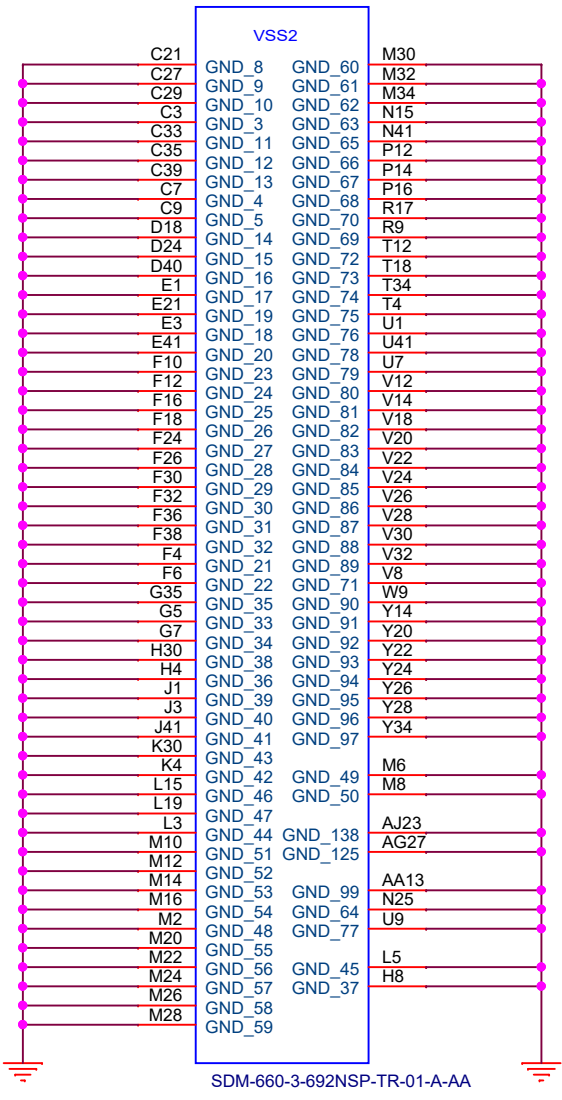


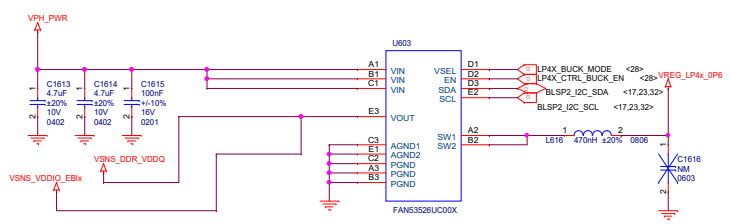
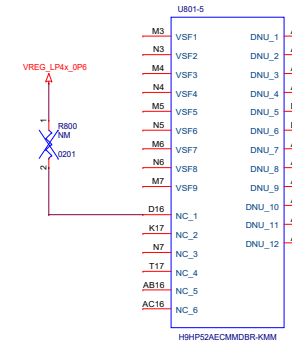
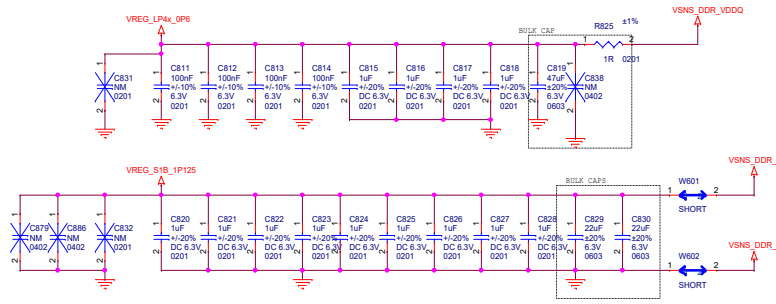
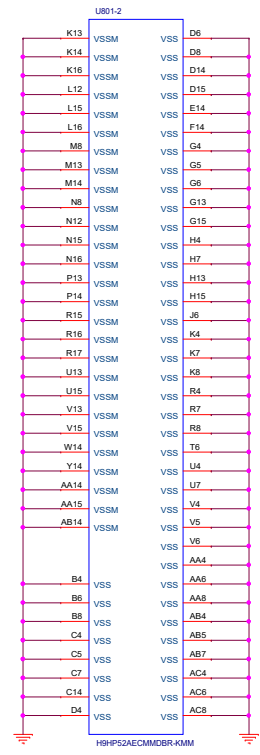
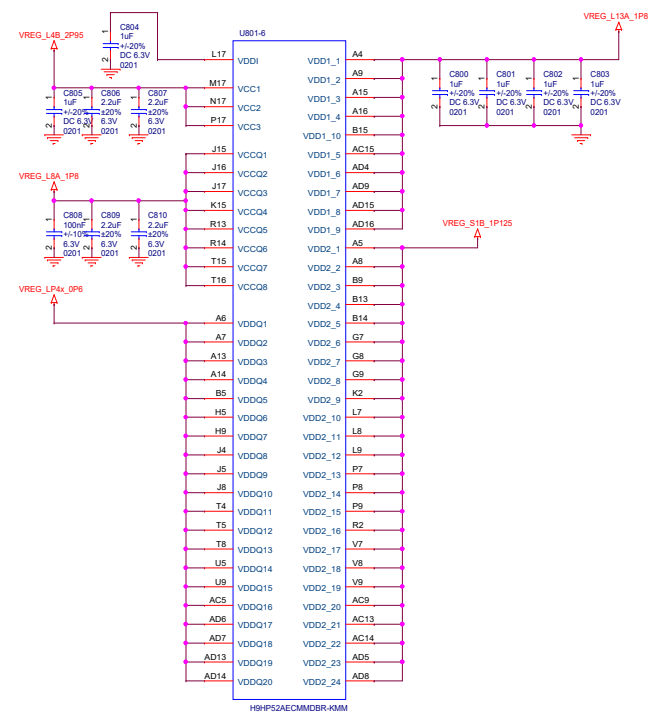


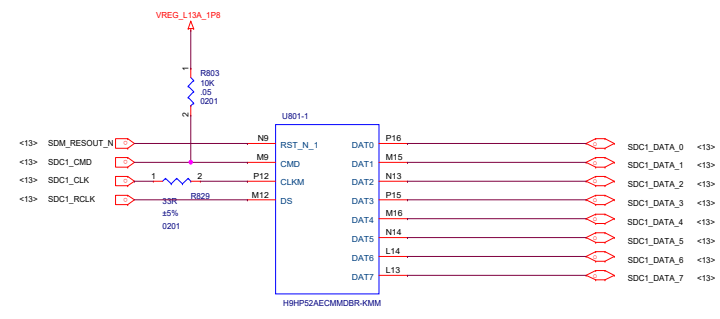
U800-11



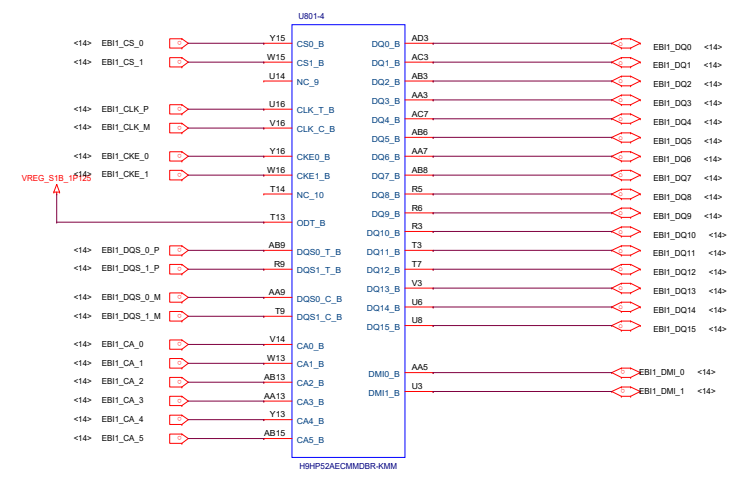
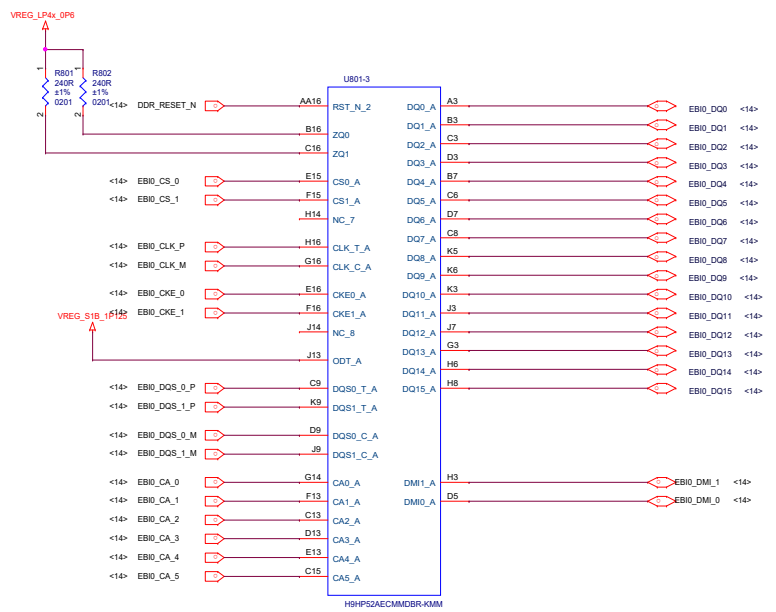
U800-12

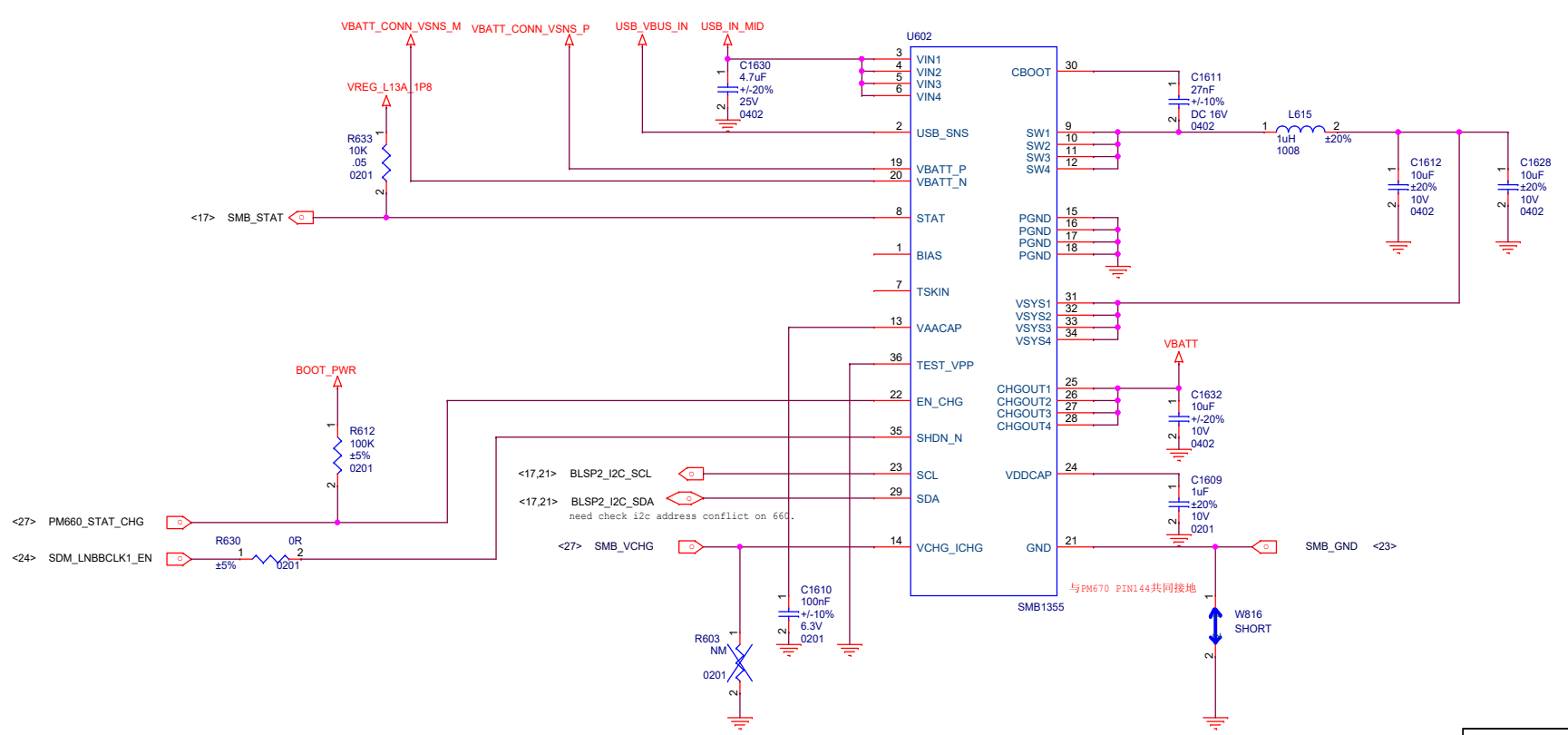




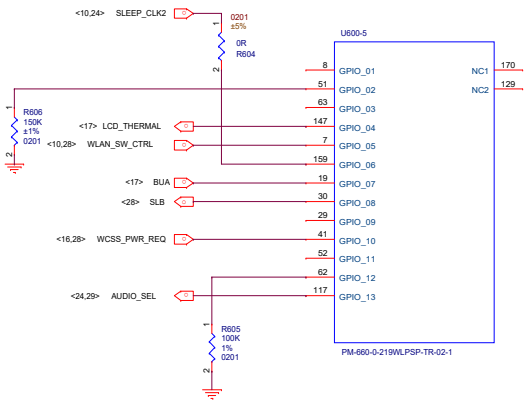
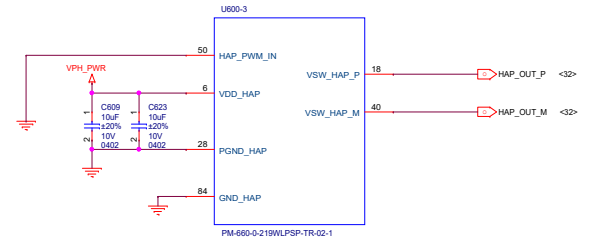
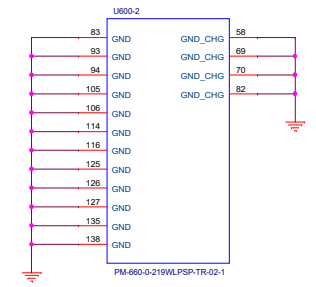
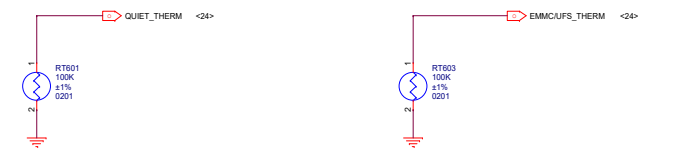
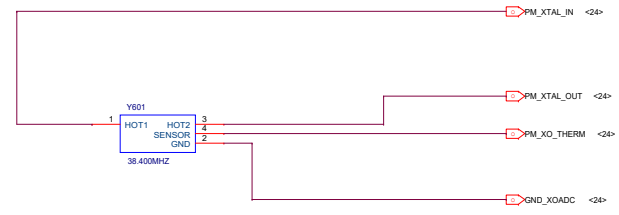
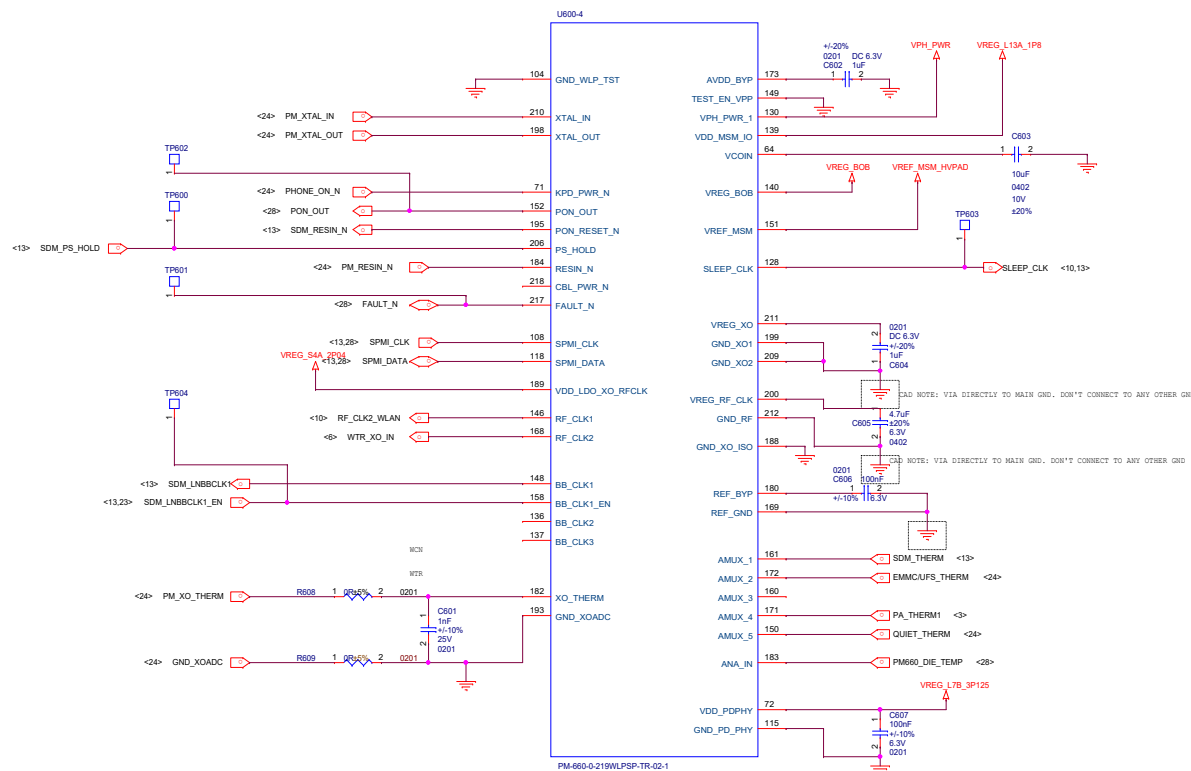


# LPDDR4 / 4x

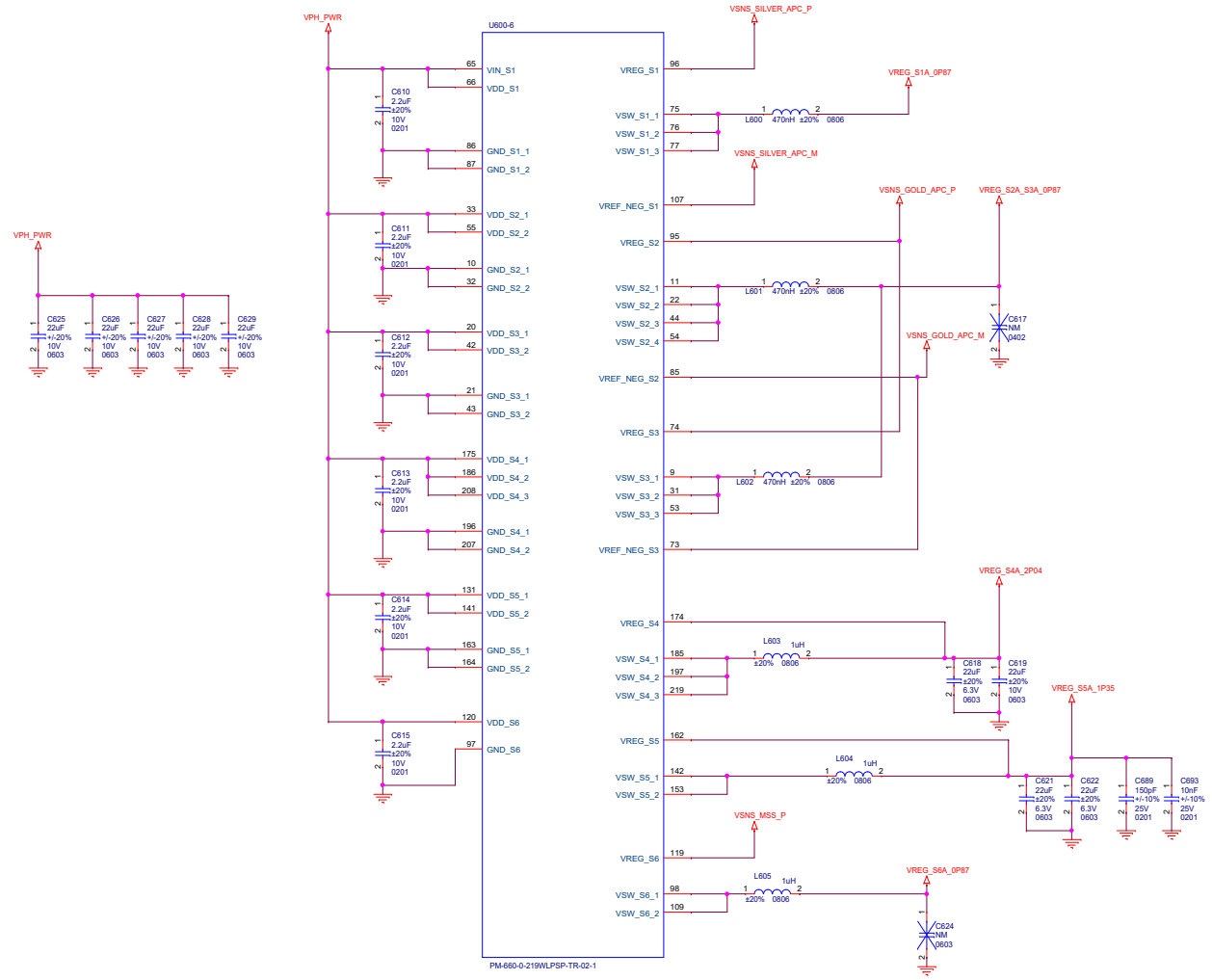




Title		D2T LOC
Size	Document Number	Rev
A3	SMB1351	MOA CH
Date:	Friday, July 20, 2018	Sheet 23 of 37

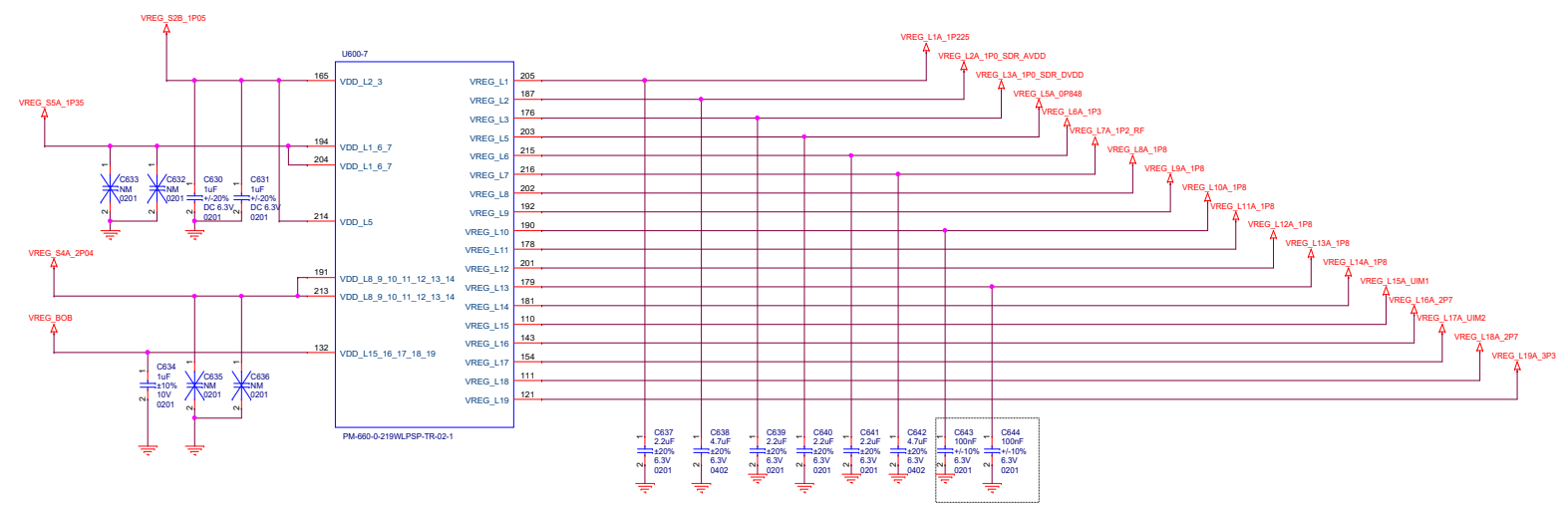


Title	DZT LOC		
Size	Document Number	Revision	Row
A2	PM660 CLK Control_GND	1	M/CM
Date:	Friday, July 20, 2018	Sheet	24 of 37

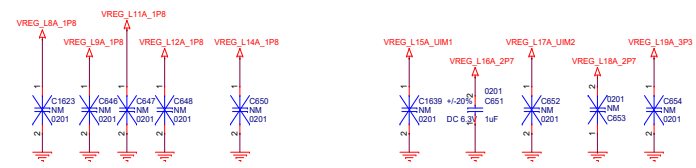


File	02T LOC	
Size	Document Number	Rev
A2	PM660 Buck Converter	MDA
Date:	Friday, July 20, 2018	Sheet 25 of 37

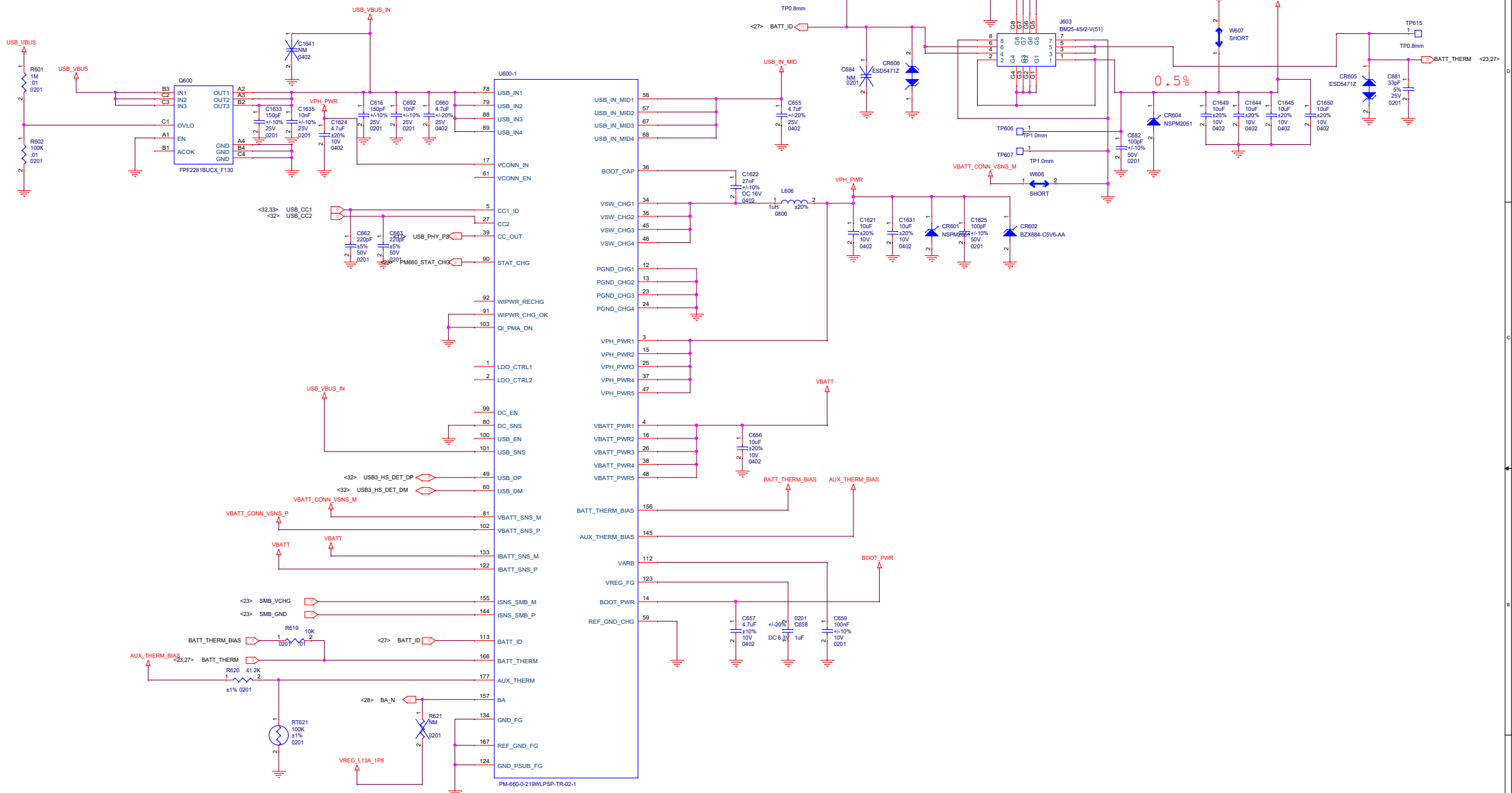




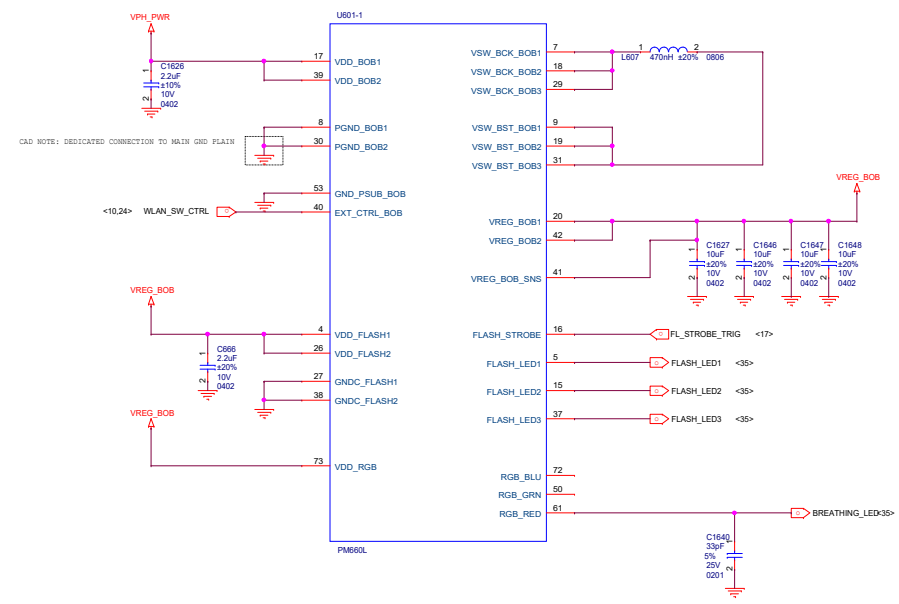
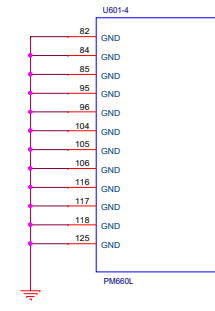
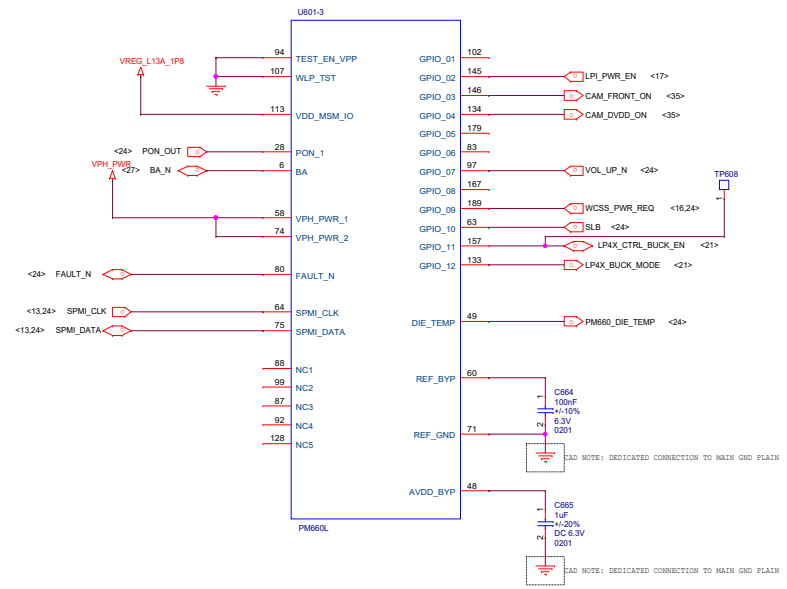
L004 USED INTERNAL TO PMIC NEED LOCAL DECAP

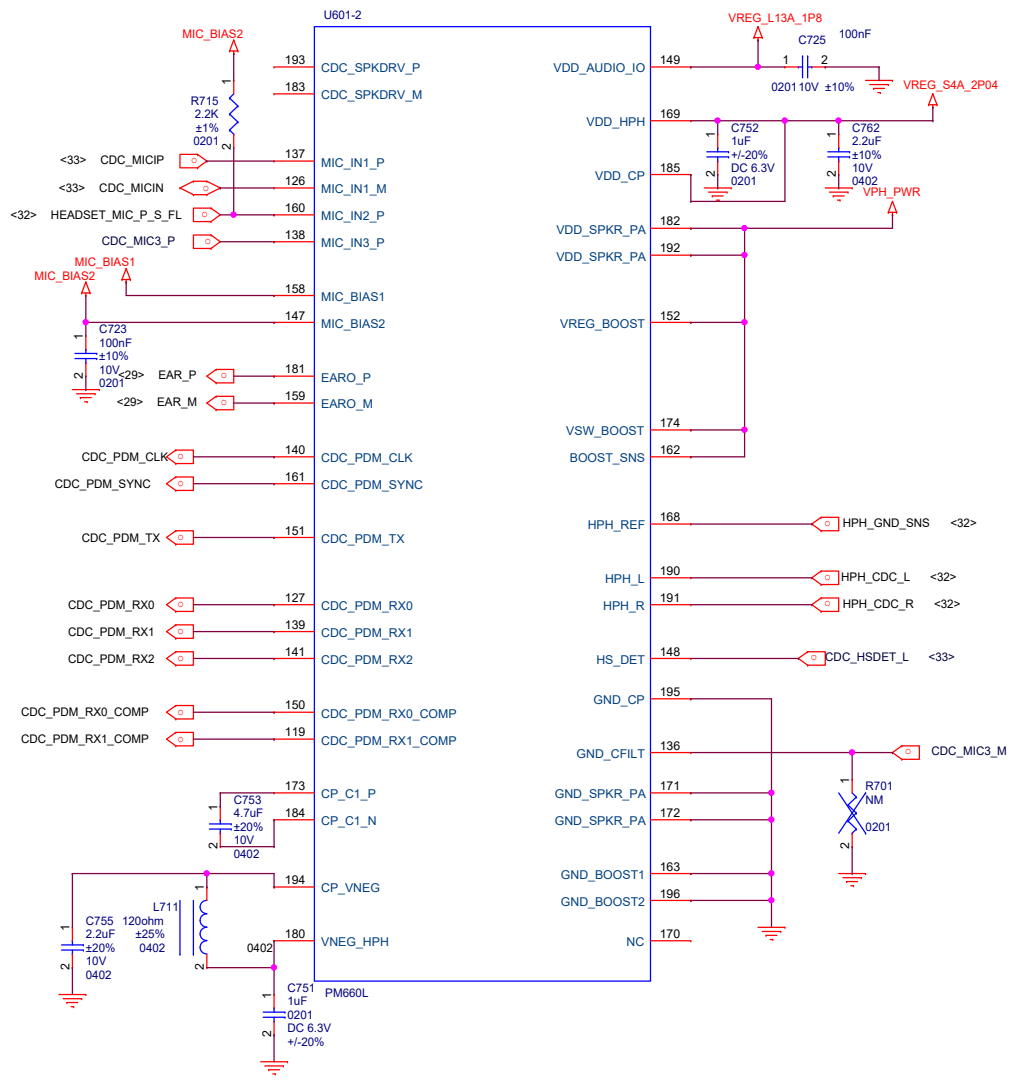


CAPLESS LDOs  
 For CAPLESS LDOs: If decaps on the load side do not add up to LDO spec, then install the cap close to the PMIC

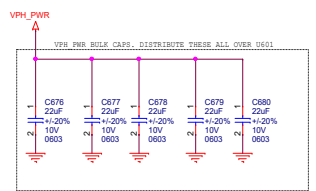
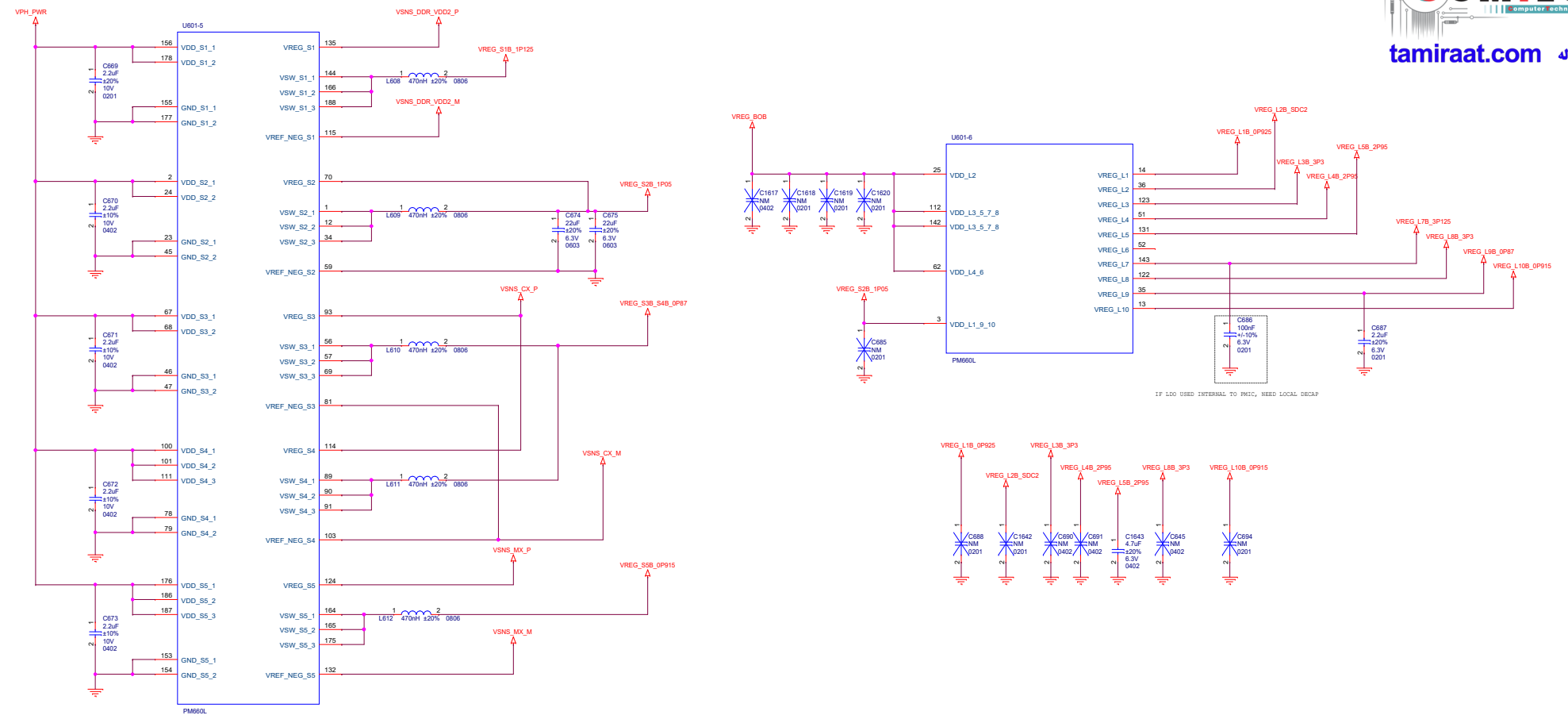


NOTE: INTERNAL PULL-UP FOR BA\_N PROVIDED BY PM660

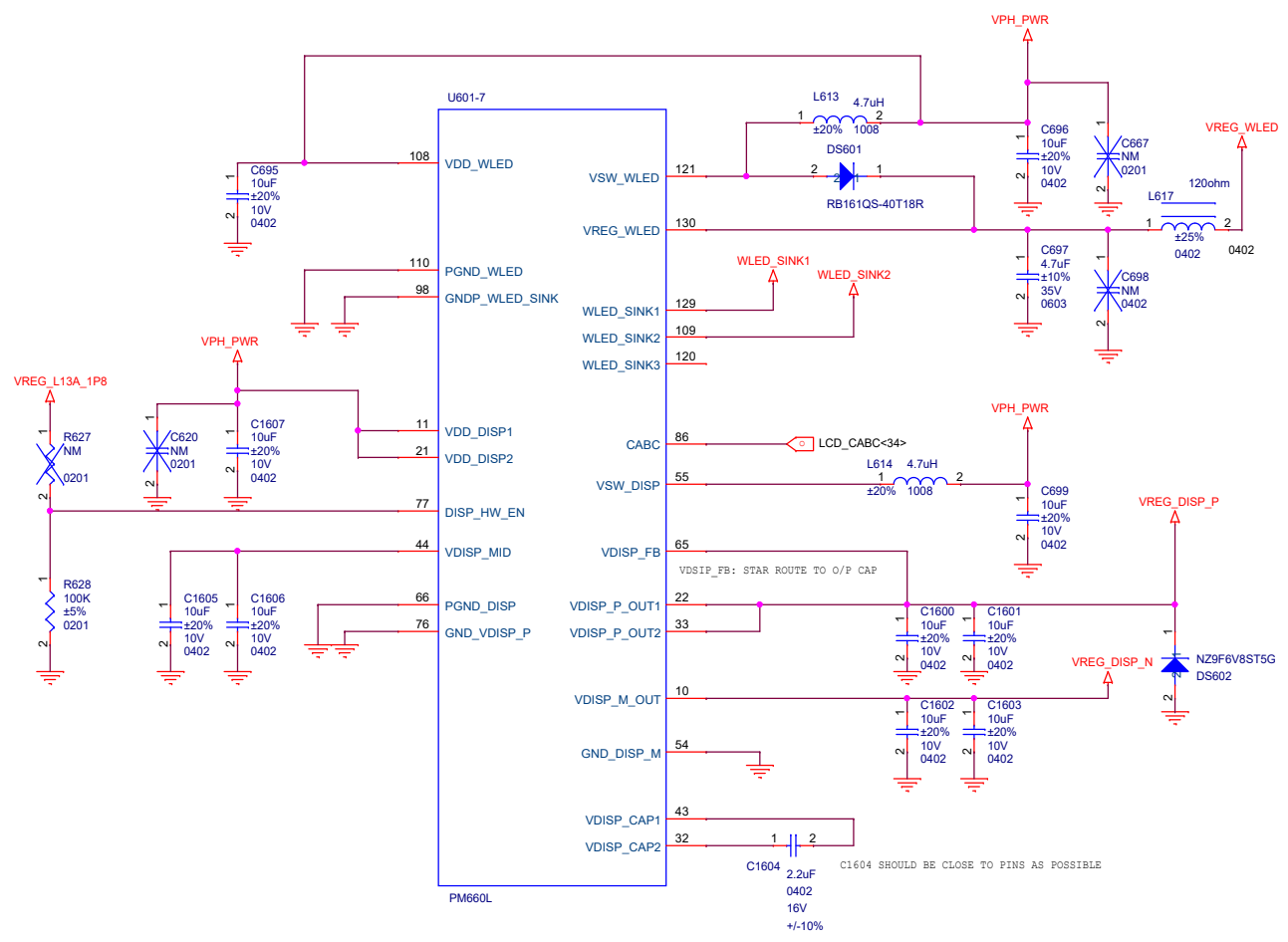




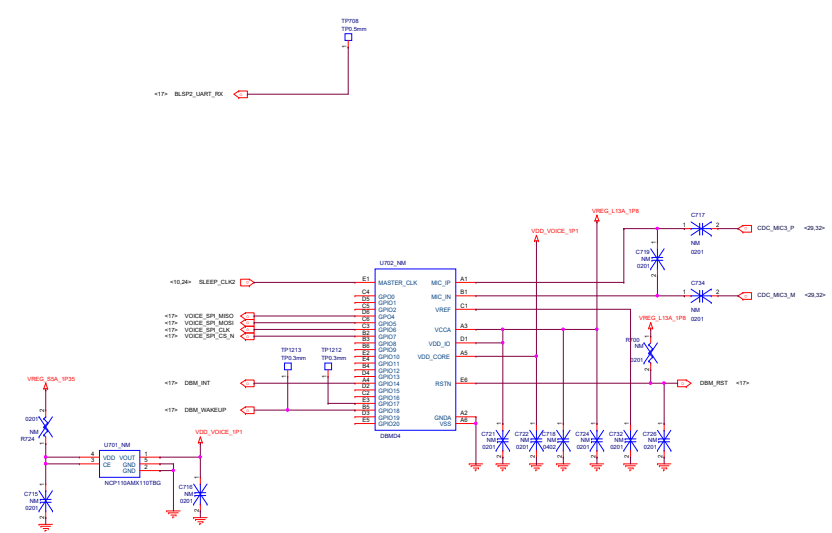
Title		
D2T LOC		
Size	Document Number	Rev
A3	PM660L CODEC (Internal)	MOA CH
Date:	Friday, July 20, 2018	Sheet 29 of 37



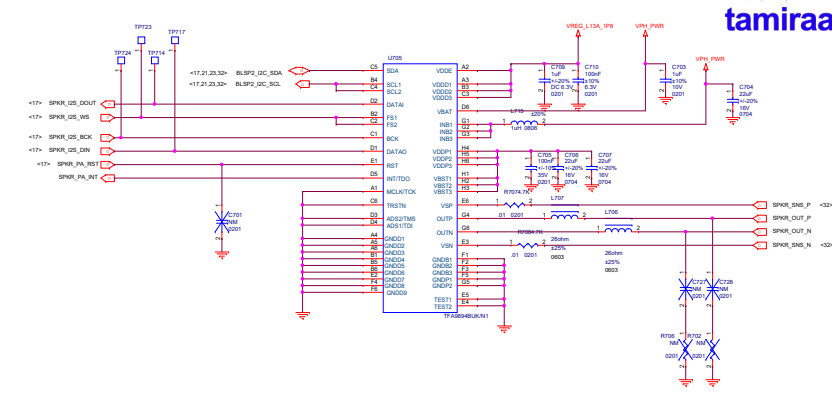
IF LDO USED INTERNAL TO PMIC, NEED LOCAL DECAP



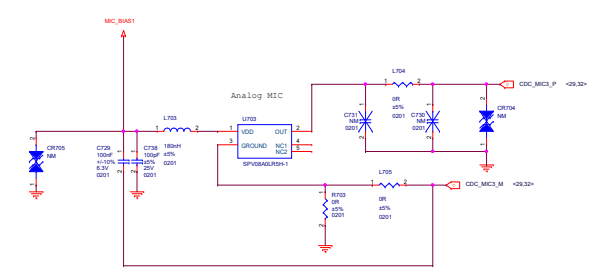
# HEADSET



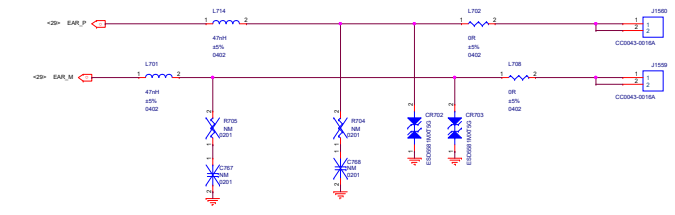
# Speaker PA



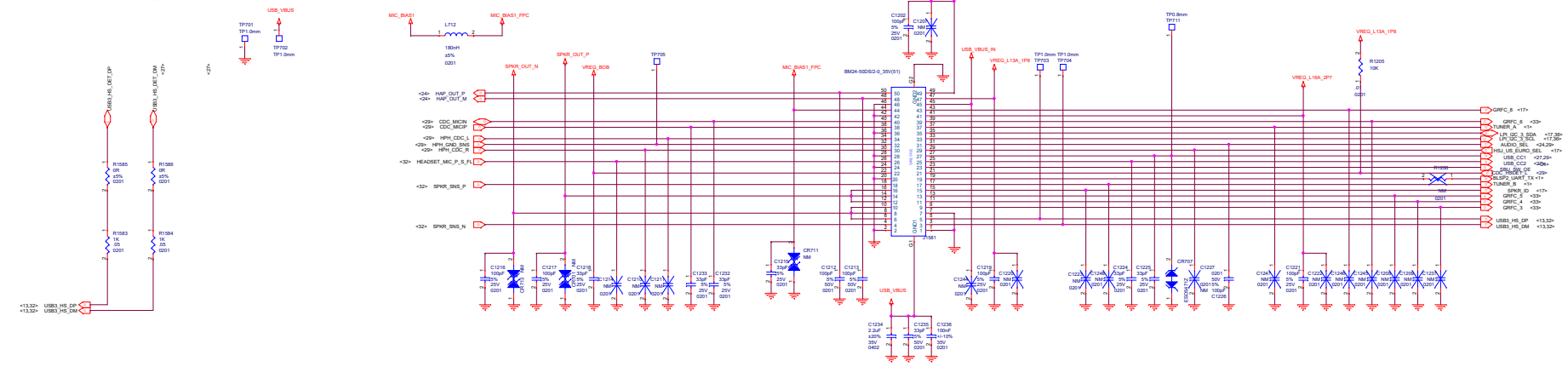
# AUX Mic

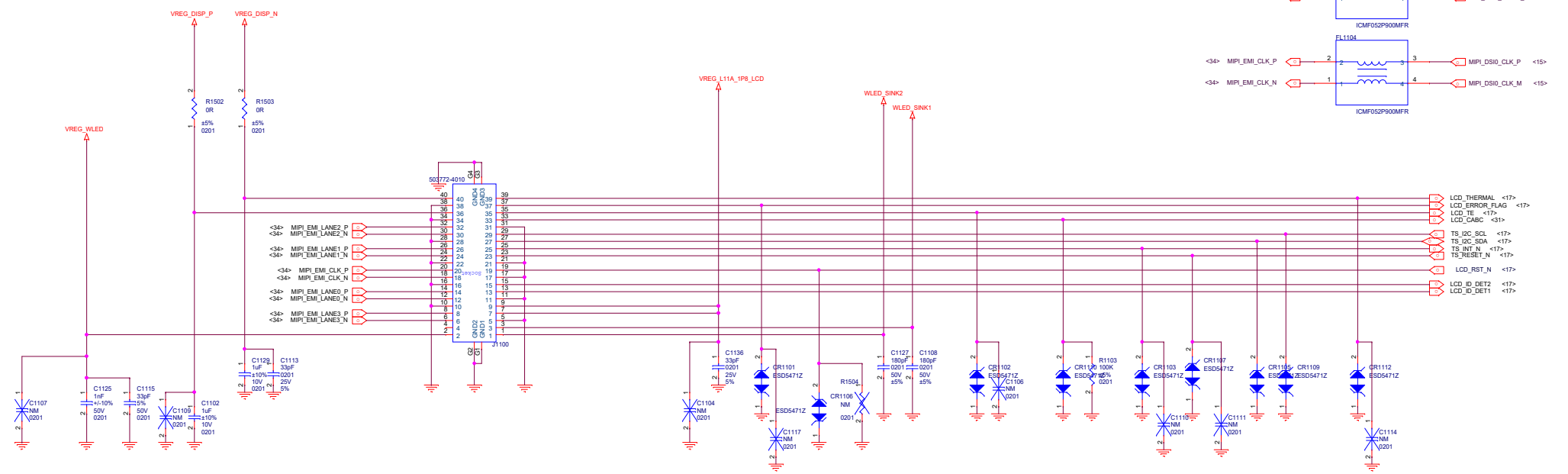
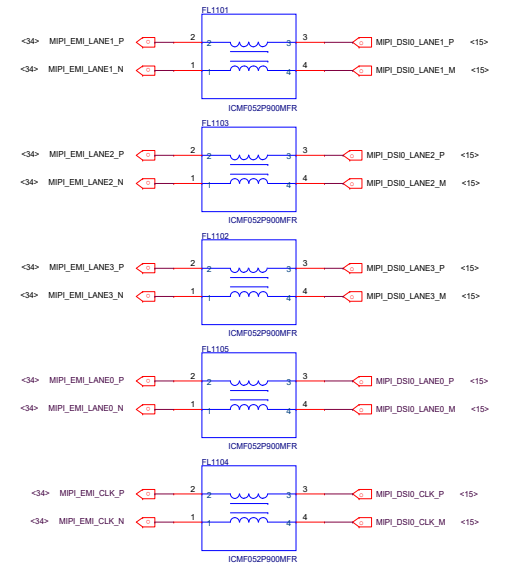
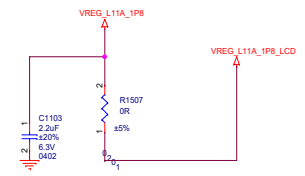


# Receiver



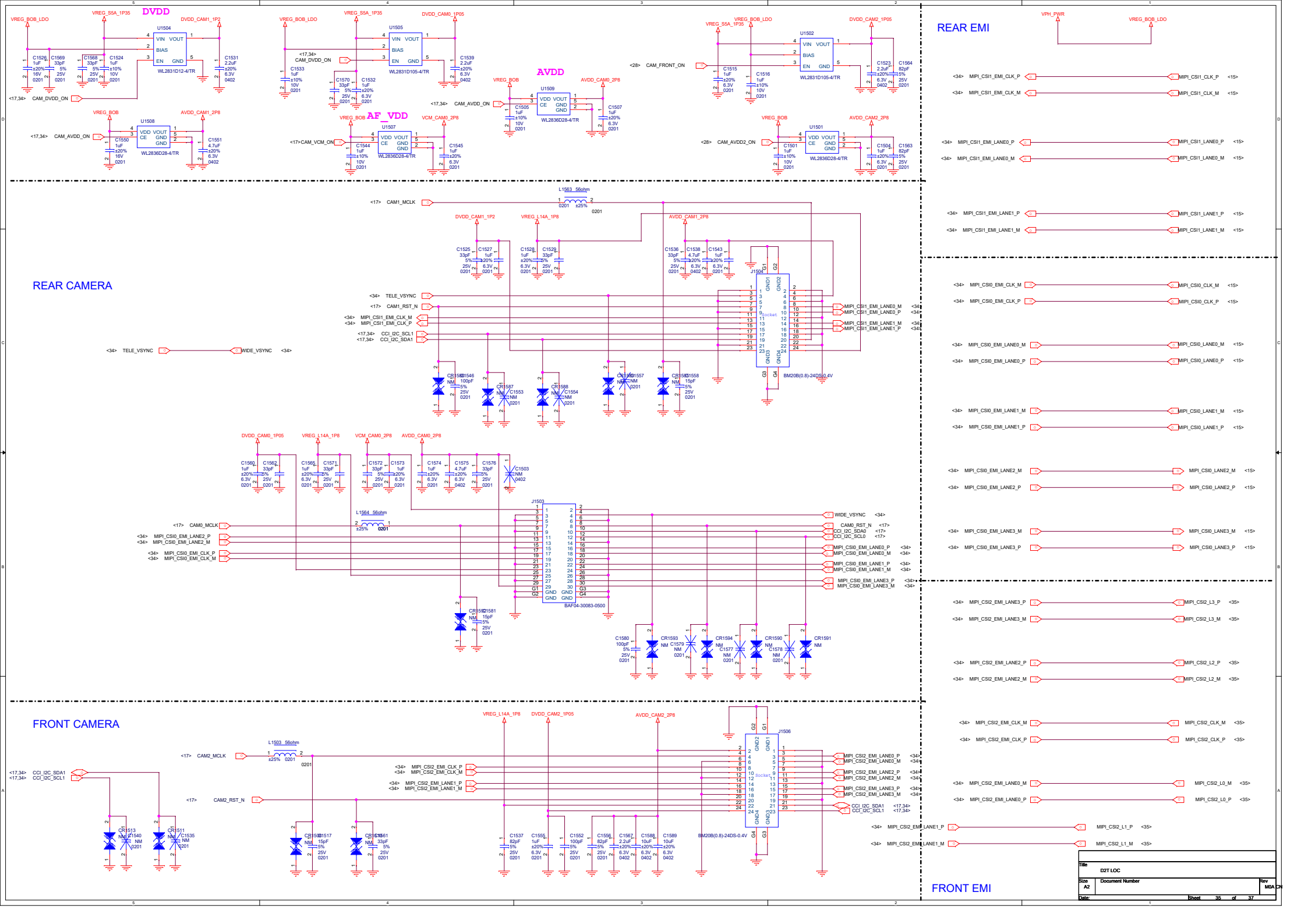
# Bottom fpc Connector





- LCD\_THERMAL <17>
- LCD\_ERROR\_FLAG <17>
- LCD\_TE <17>
- LCD\_CABC <31>
- TS\_IDC\_SCL <17>
- TS\_IDC\_SDA <17>
- TS\_INT\_N <17>
- TS\_RESET\_N <17>
- LCD\_RST\_N <17>
- LCD\_ID\_DET2 <17>
- LCD\_ID\_DET1 <17>





FRONT CAMERA

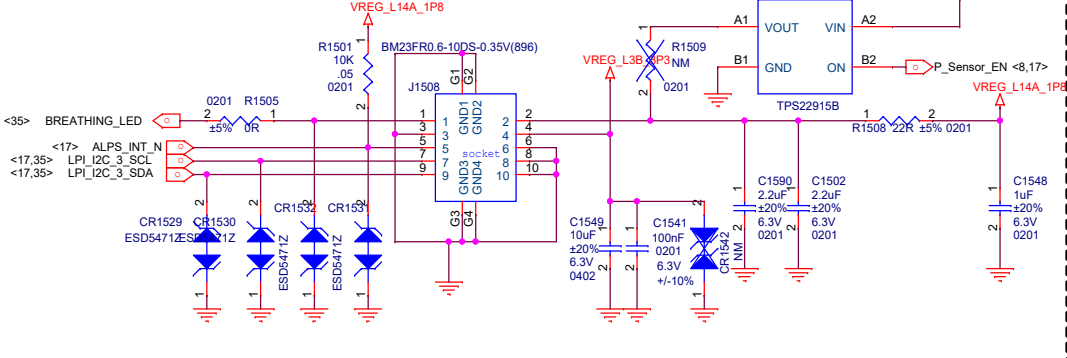
FRONT EMI

REAR EMI

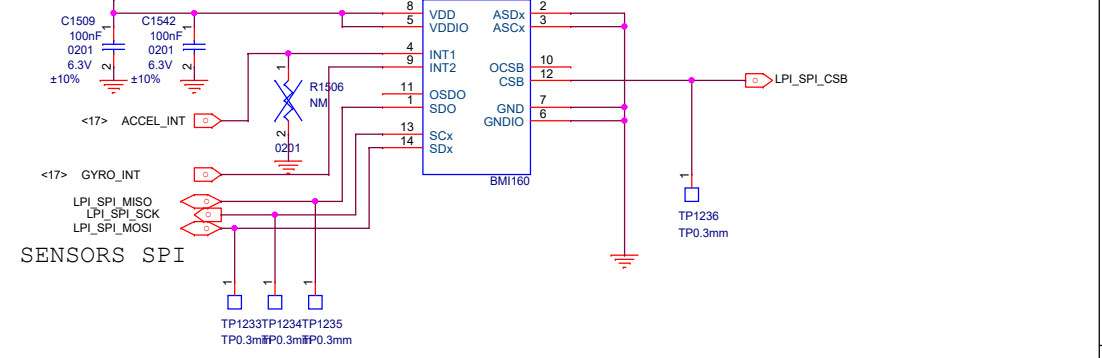
REAR CAMERA

Title		
DZ7 LOC		
Size	Document Number	Rev
A2		MOA
Date:		Sheet 35 of 37

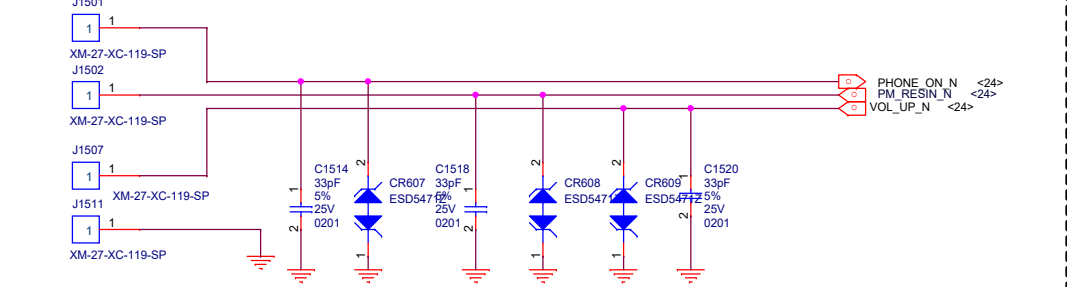
# P-sensor



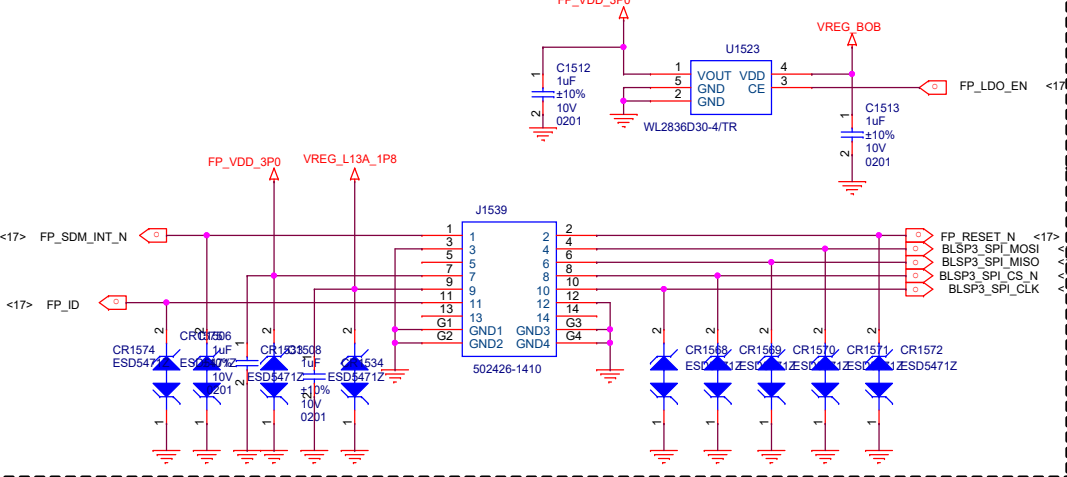
# G+G



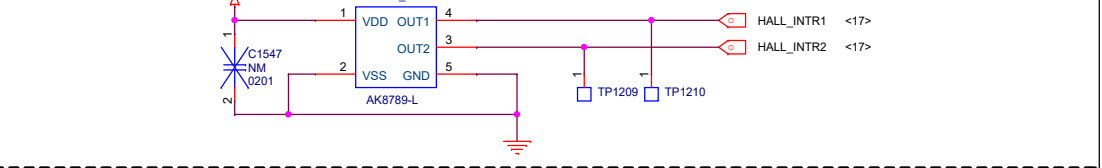
# Sidekey



# Fingerprint

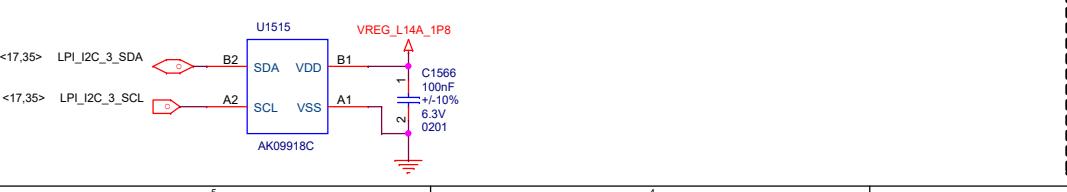


# HALL

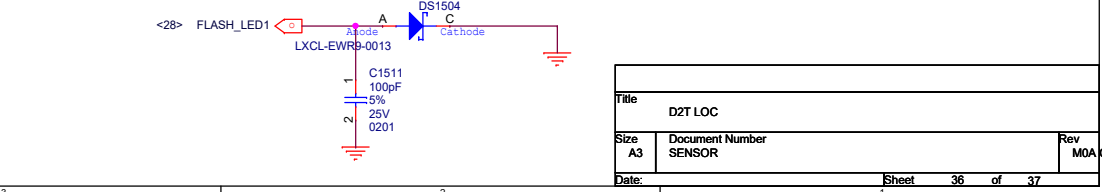


# INFARED

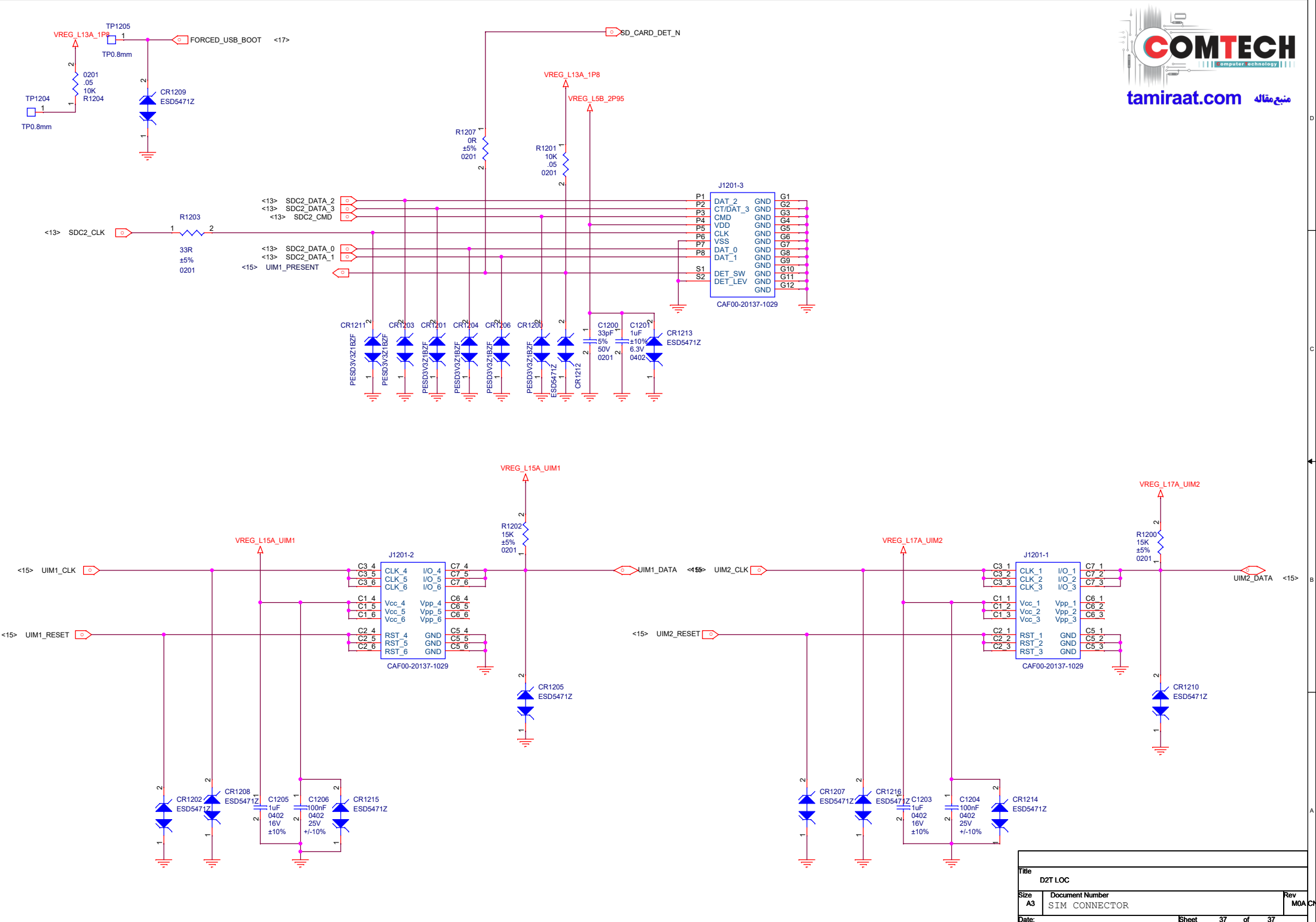
# COMPASS



# FLASH



Title	D2T LOC	
Size	Document Number	Rev
A3	SENSOR	MOA CN
Date:	Sheet	36 of 37



Title		
D2T LOC		
Size	Document Number	Rev
A3	SIM CONNECTOR	MOA CH
Date:	Sheet 37 of 37	