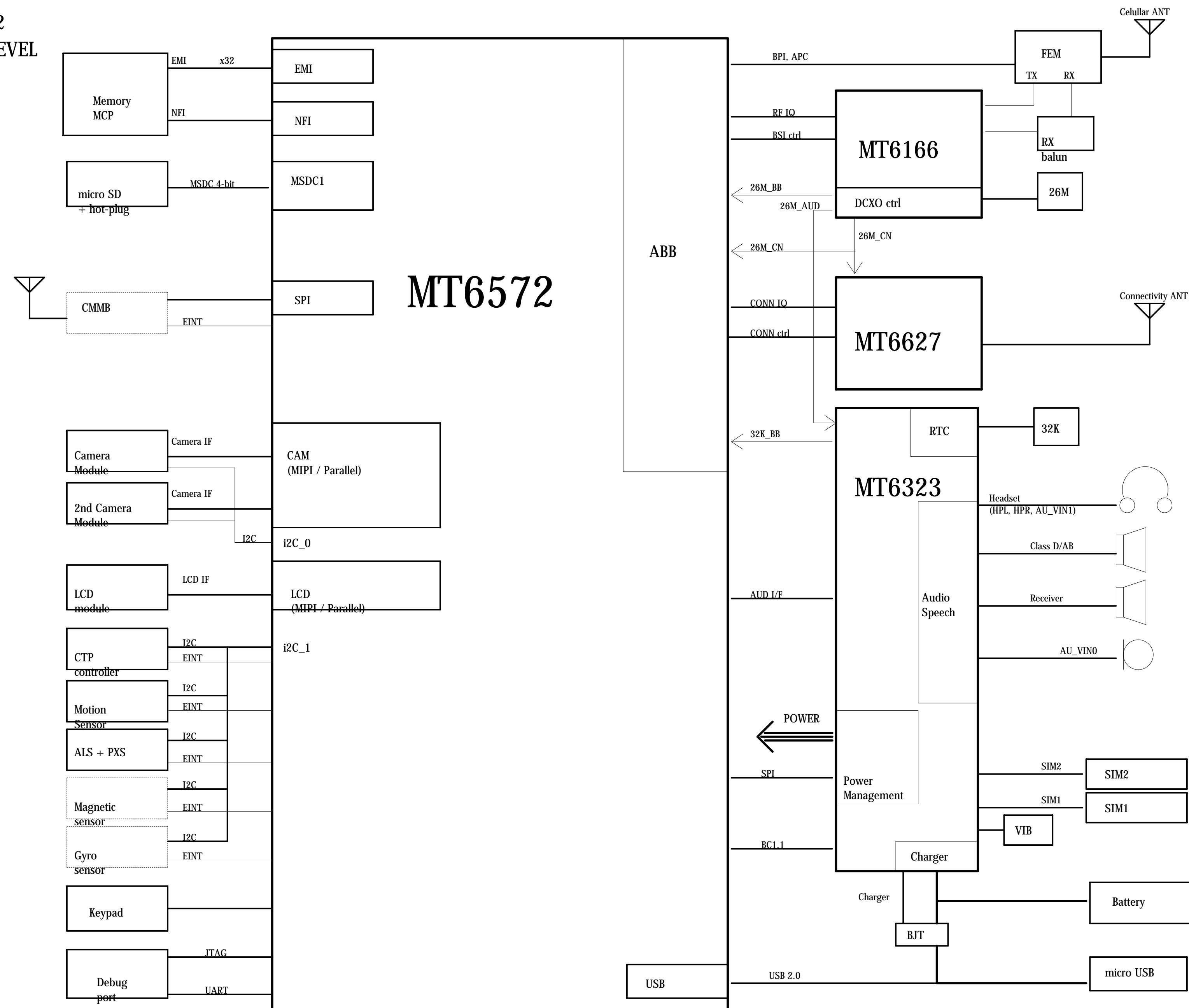
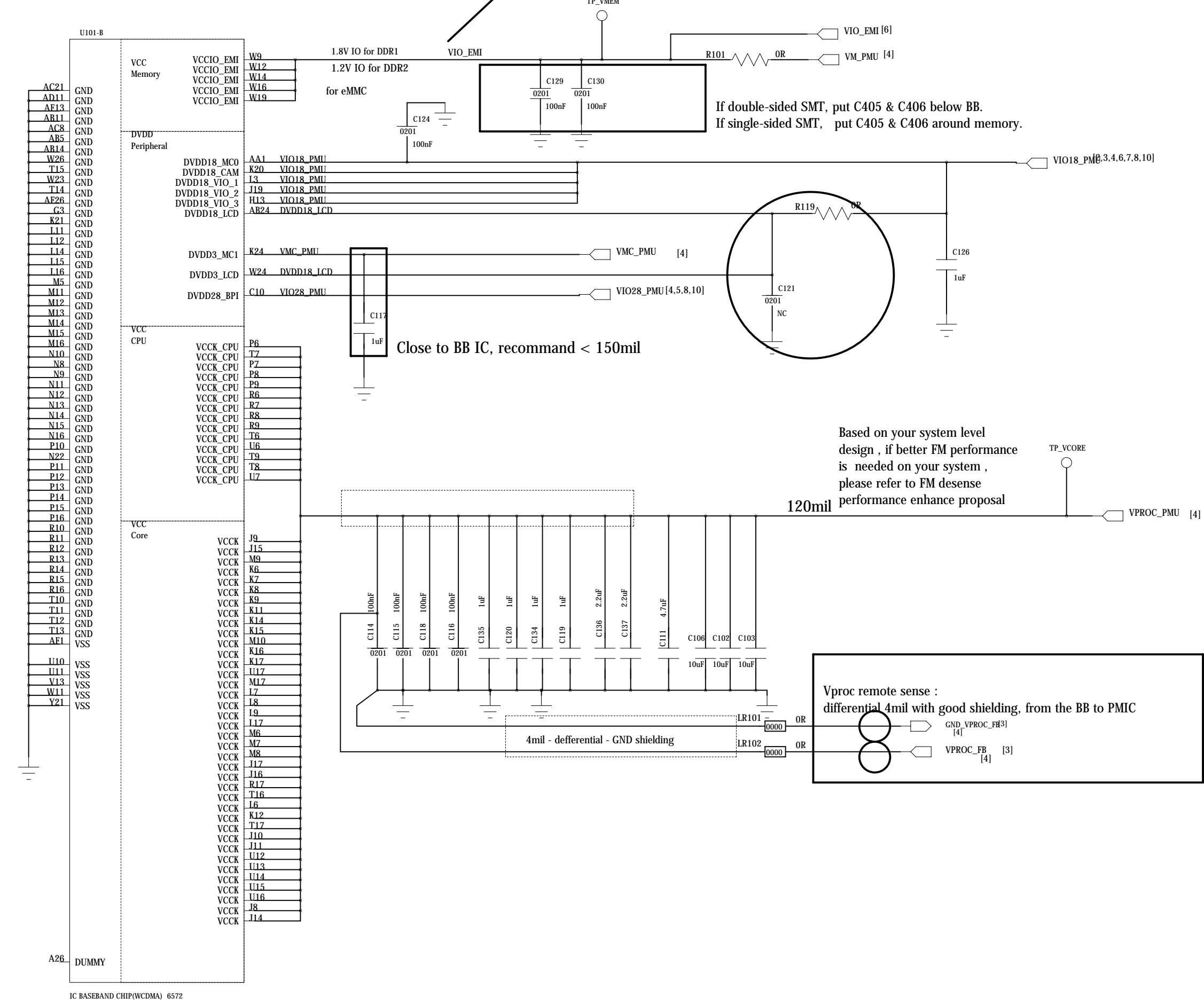
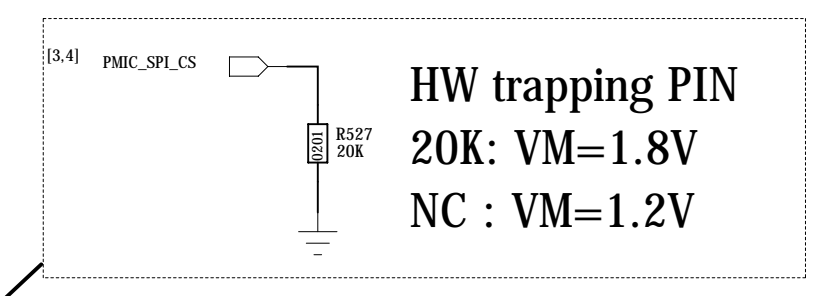
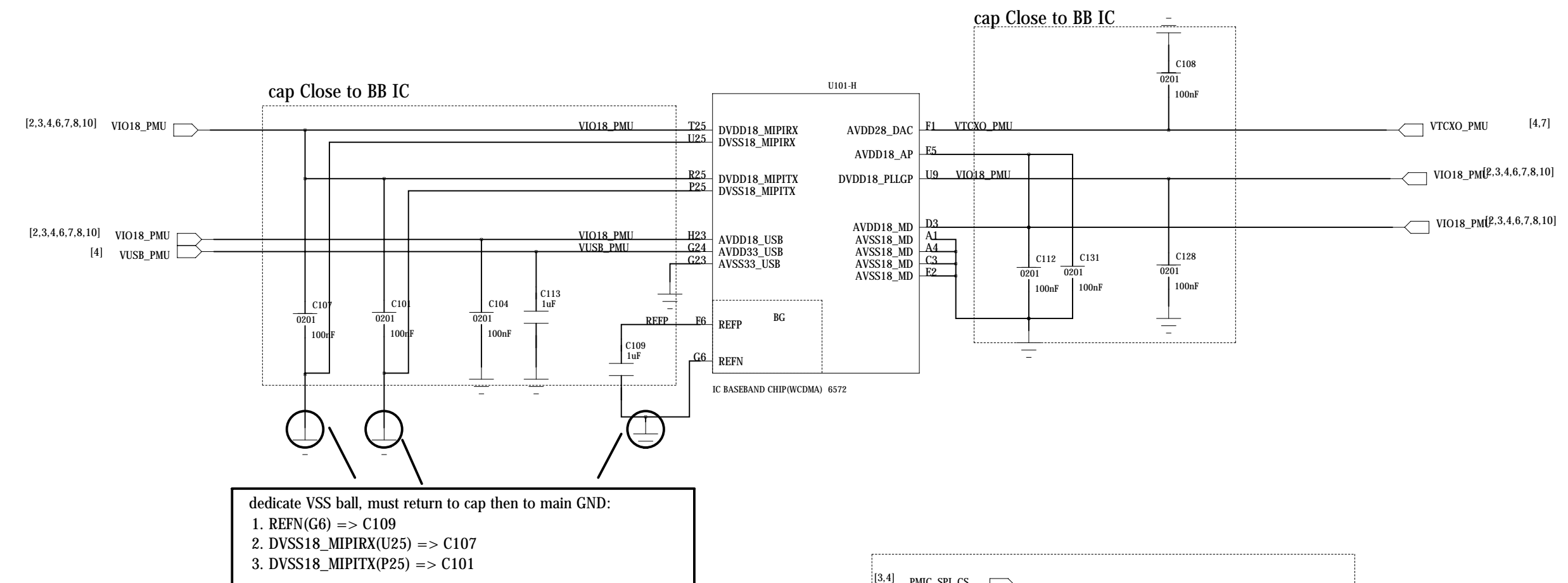
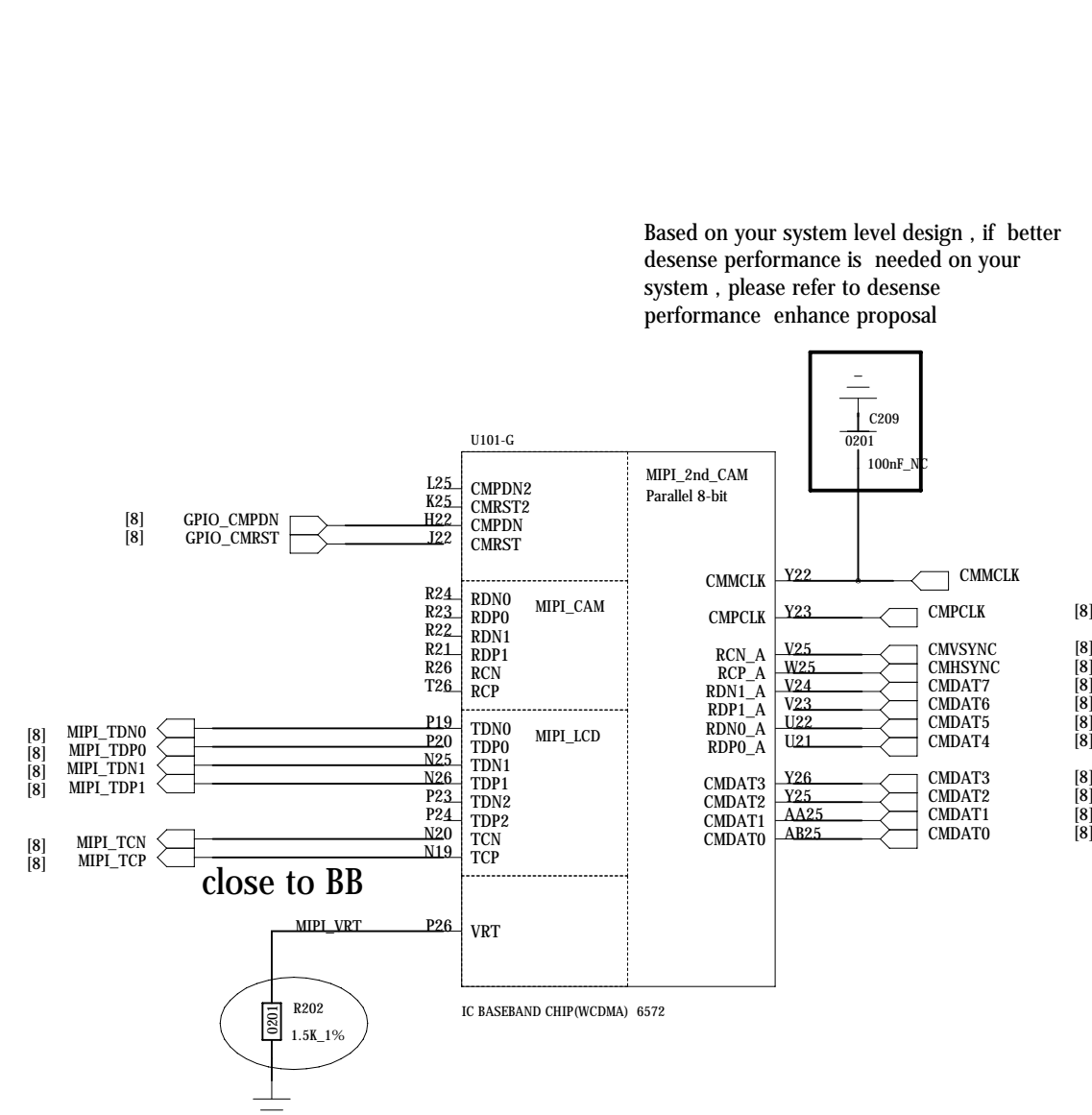
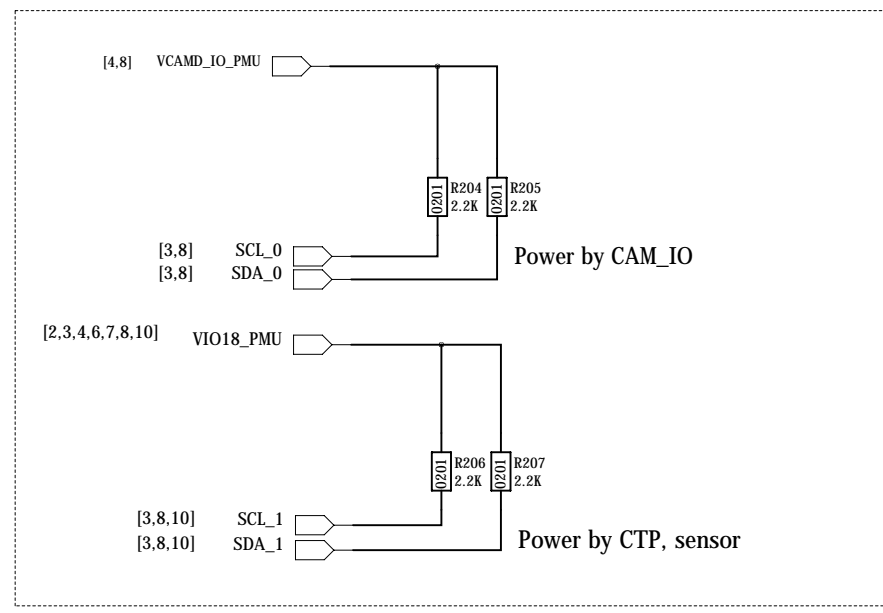
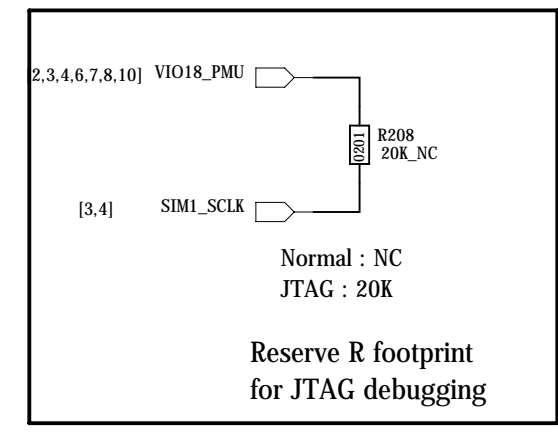
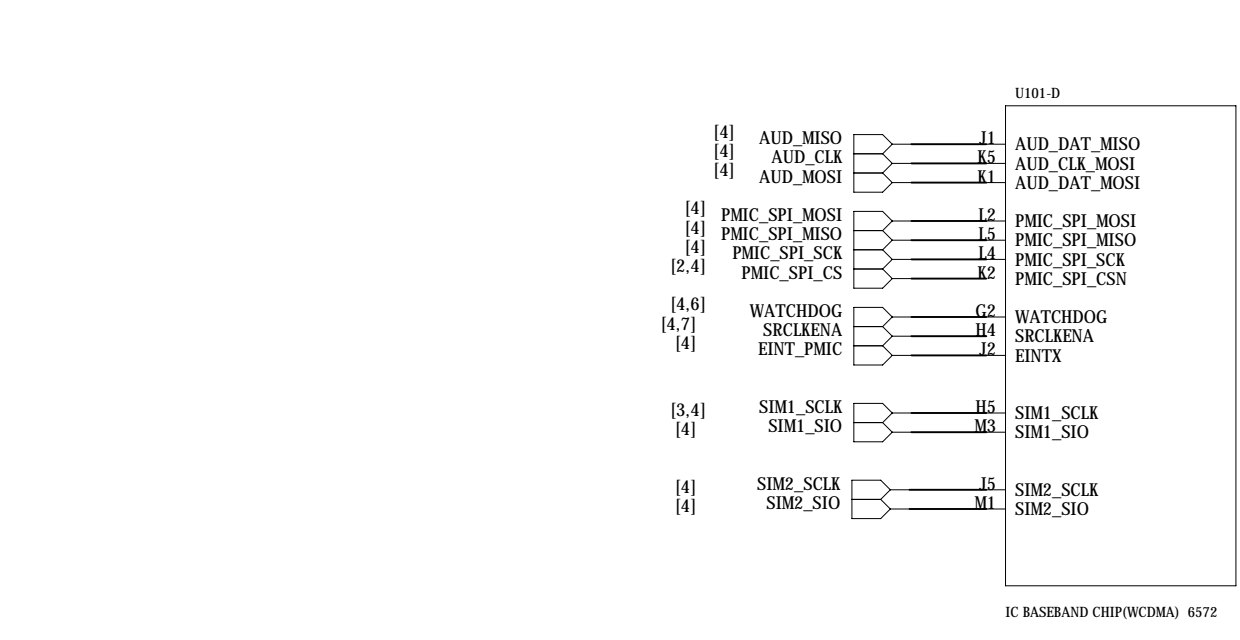
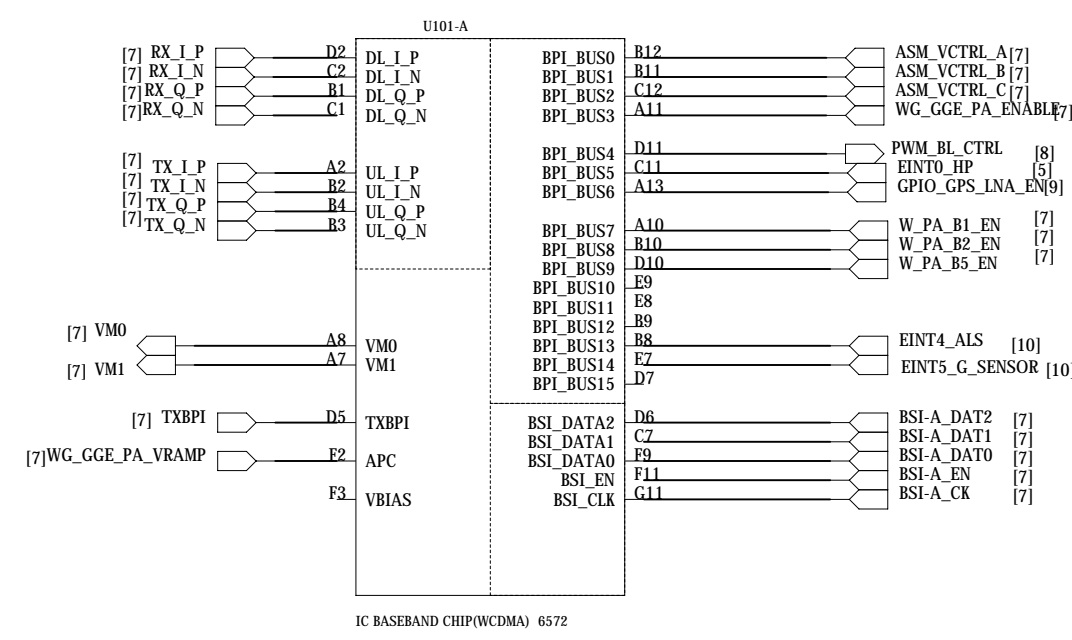


Project : MT6572  
REF\_SCH TOP LEVEL

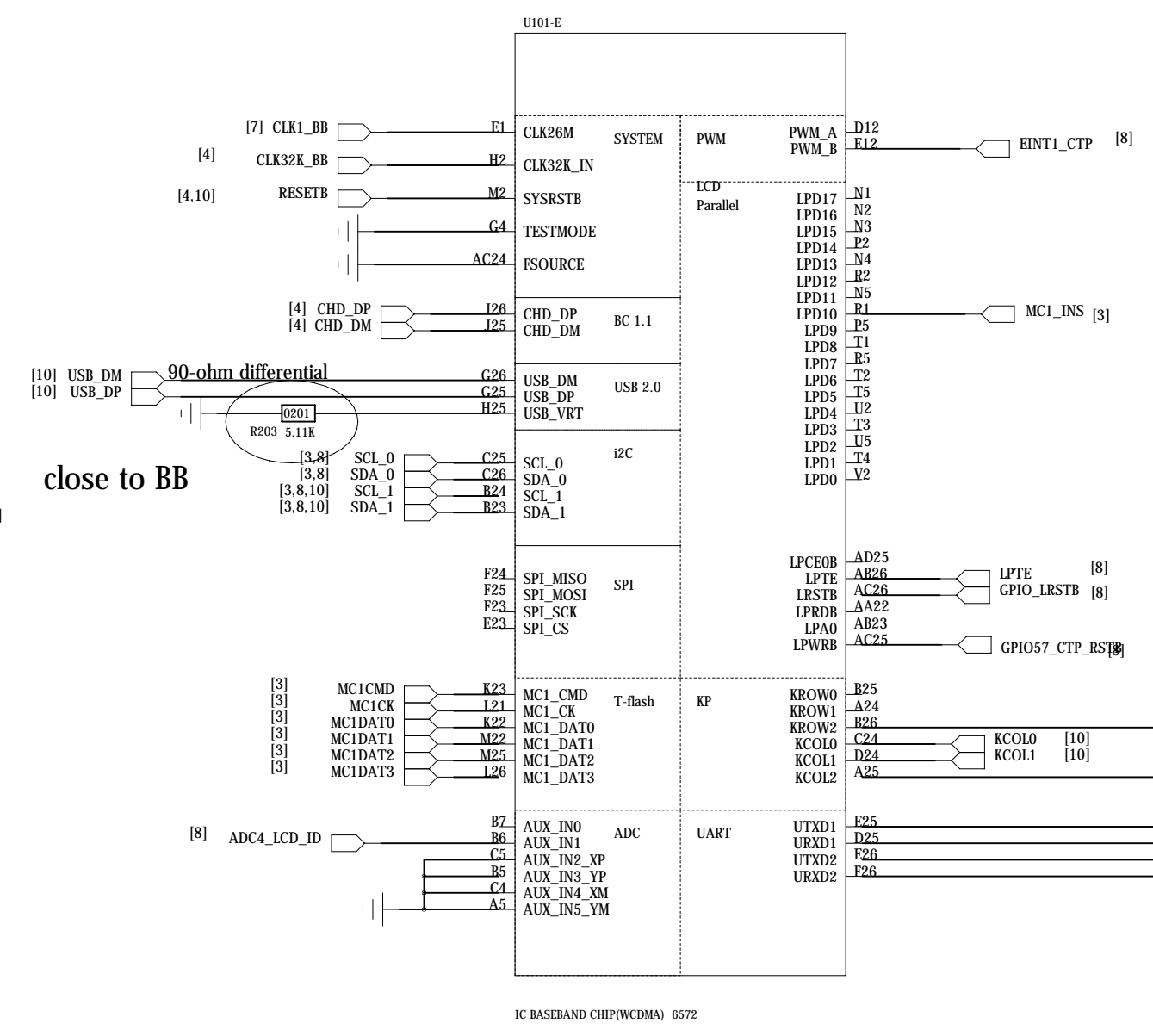




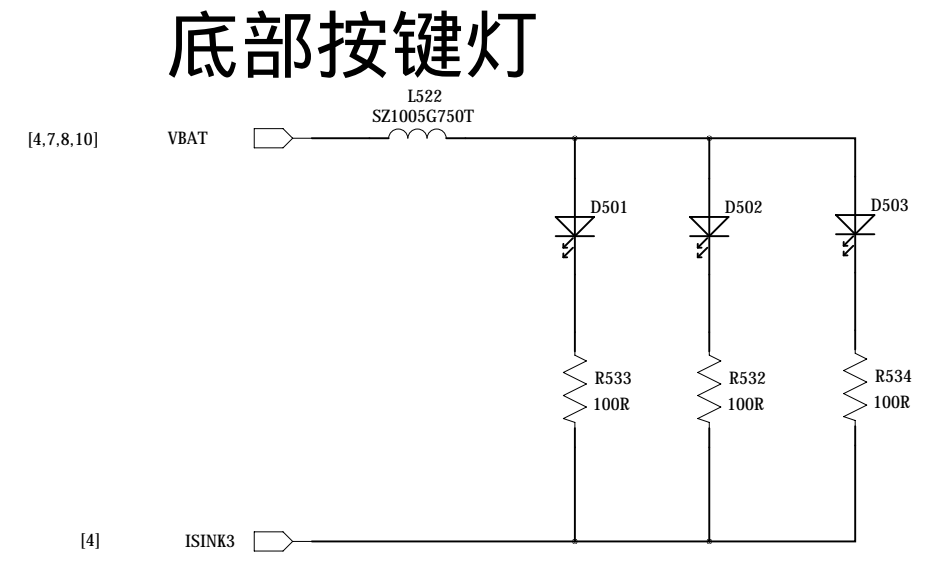
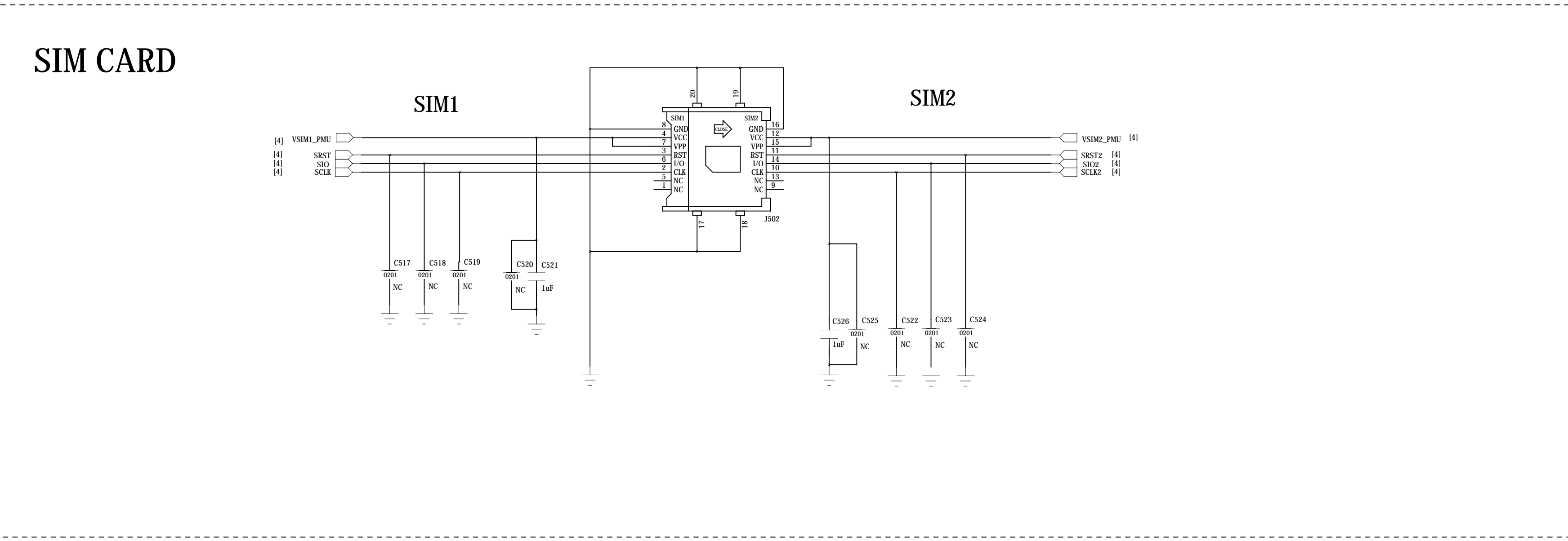
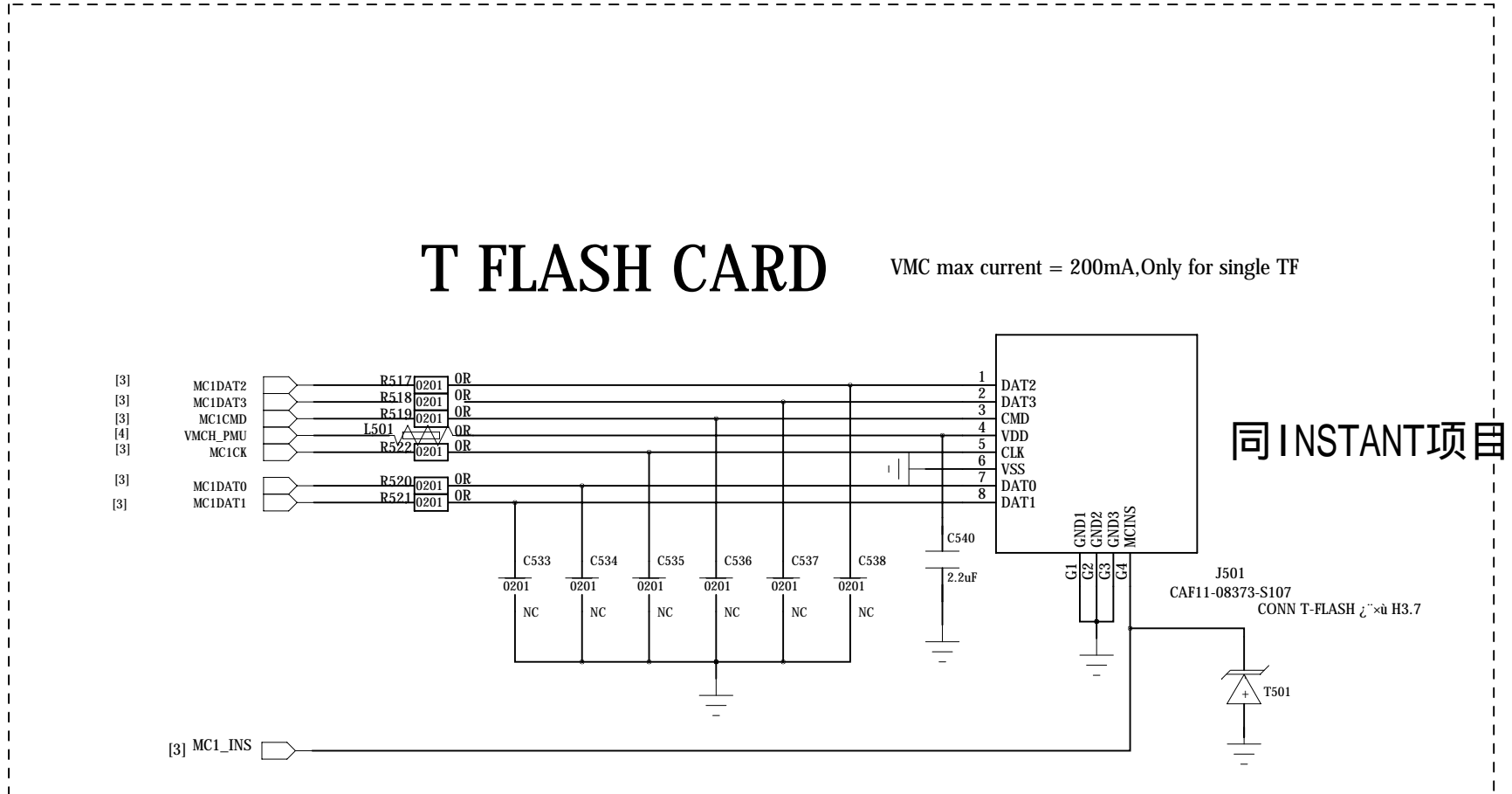
|   |                   |   |                           |
|---|-------------------|---|---------------------------|
| THIS DOCUMENT CONTAINS PROPRIETARY INFORMATION AND SHALL NOT BE DUPLICATED OR DISCLOSED TO OTHERS WITHOUT THE PRIOR WRITTEN PERMISSION OF CK Techfaith Communication Technology Limited |                   | <b>CK Telecom</b><br>Communication Technology Limited |                           |
| DRAWN:<br>Shouchuang.Zhang  | DATE:<br>2013-3-5 | TITLE:<br>MT6272W                                     |                           |
| CHECKED:  | DATE:             | SIZE:<br>D  | DRAWING NO:<br>2-BB-POWER |
| DESIGNED:   | DATE:             | SCALE:<br>1:1   | SHEET:<br>2 OF 11         |
|   |                   |   | REV:<br>V1.0              |



Based on your system level design , if better desense performance is needed on your system , please refer to desense performance enhance proposal



MT6572 support JTAG from below :  
 1. KP (recommand)  
 2. MCI  
 3. CAM  
 for JTAG pin out from MCI/CAM, refer to HW design notice

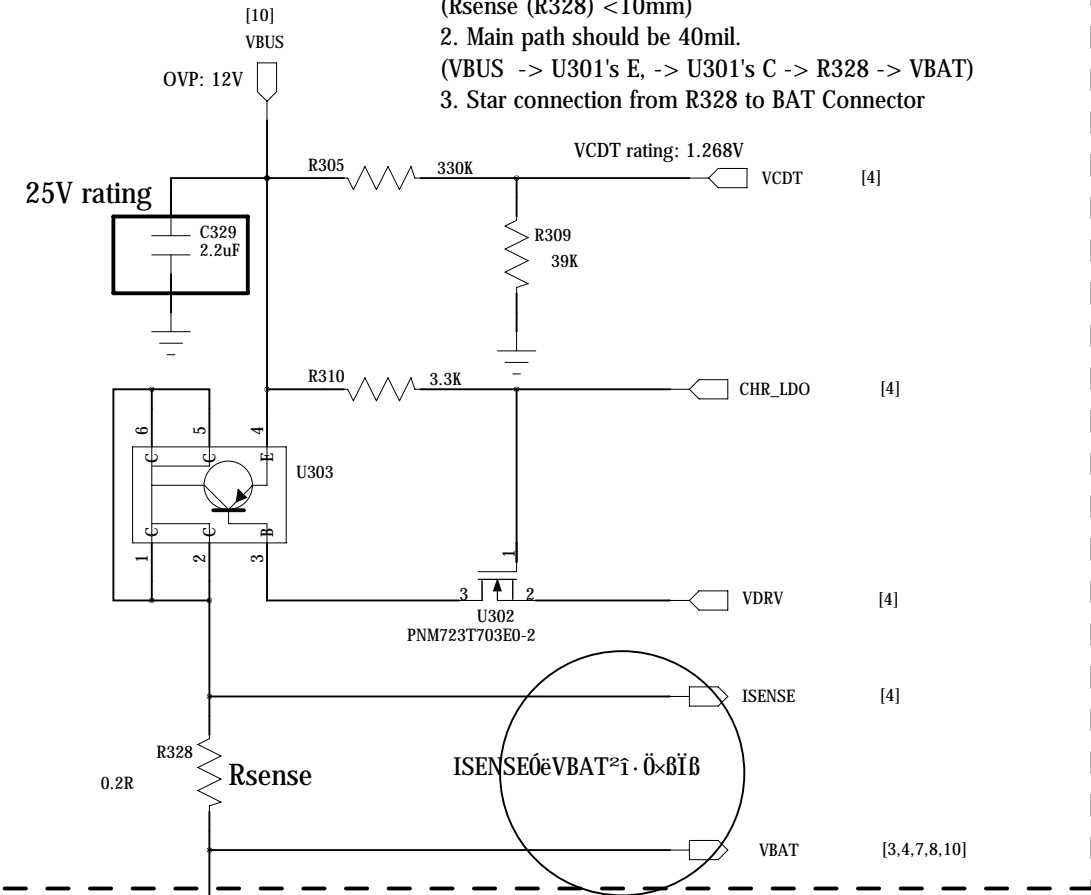


|  |                |   |  |
|--|----------------|---|--|
| THIS DOCUMENT CONTAINS PROPRIETARY INFORMATION AND SHALL NOT BE DUPLICATED OR DISCLOSED TO OTHERS WITHOUT THE WRITTEN PERMISSION OF CK Techniaith Communication Technology Limited |                | <b>CK Telecom</b><br>Communication Technology Limited |  |
| DRAWN: Shouchuang.Zhang  | DATE: 2013-3-5 | TITLE: MT6272W  |  |
| CHECKED:   | DATE:          | SIZE: D   | DRAWING NO: 2-MT6572_BASEBAND/TF/SIM/LED/RPC |
| DESIGNED:  | DATE:          | SCALE: 1:1  | SHEET: 3 OF 11                               |
|  |                |   | REV: V1.0                                    |

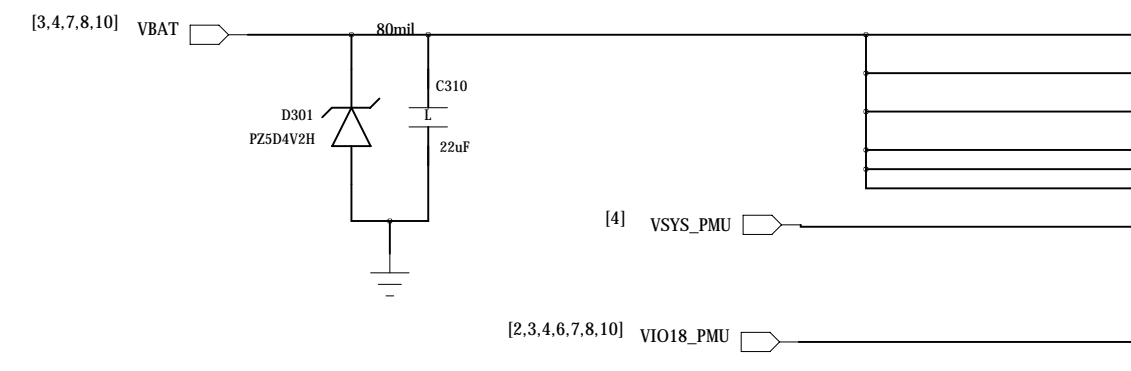
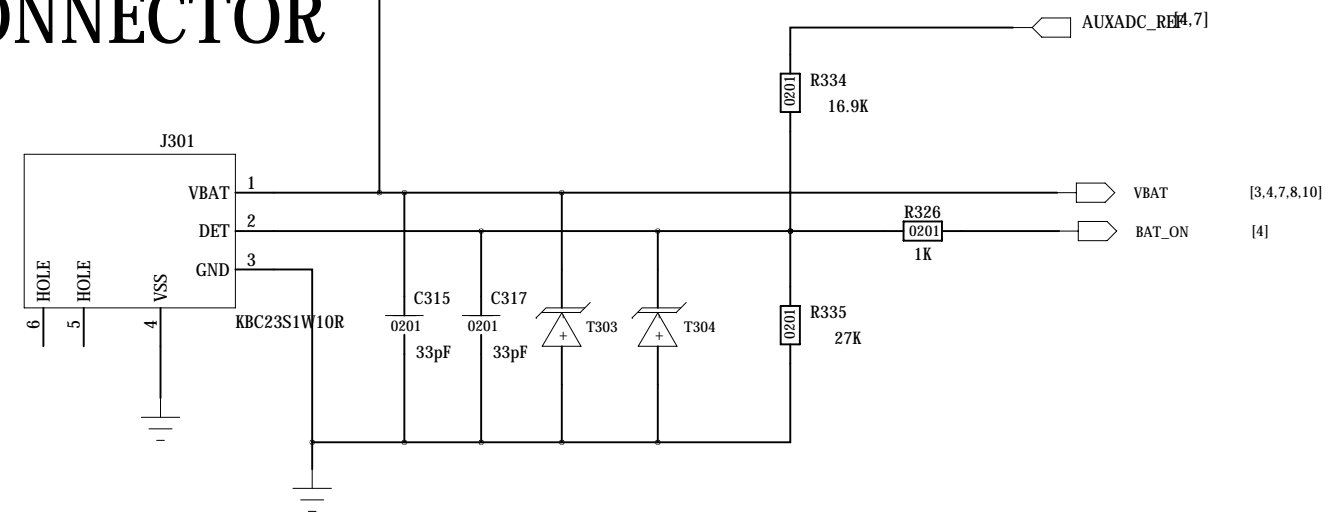


### Charger

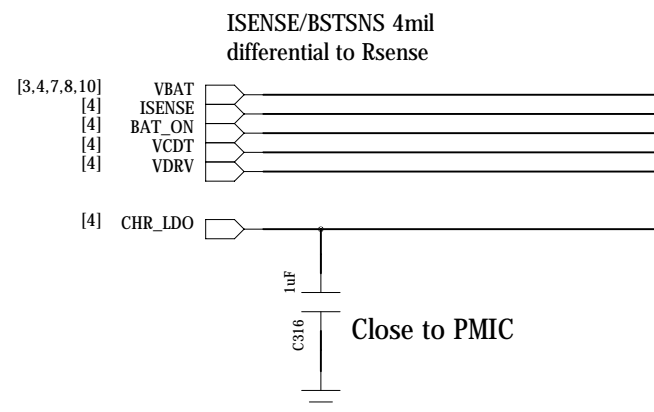
- 1. Close to Battery Connector.  
(Rsense (R328) < 10mm)
- 2. Main path should be 40mil.  
(VBUS -> U301's E -> U301's C -> R328 -> VBAT)
- 3. Star connection from R328 to BAT Connector



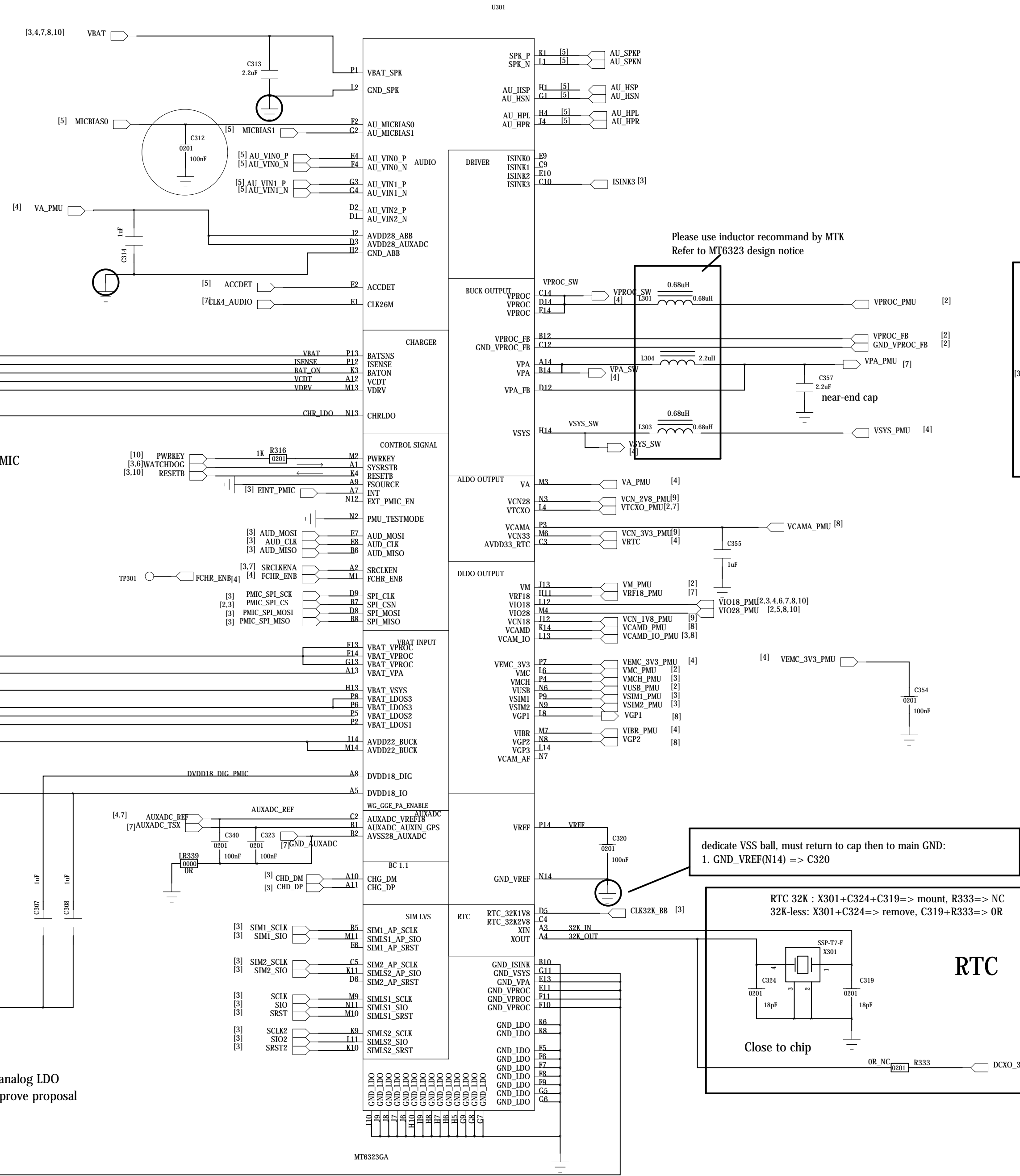
### BATTERY CONNECTOR



Refer to MT6323 design notice for Buck GND layout rule



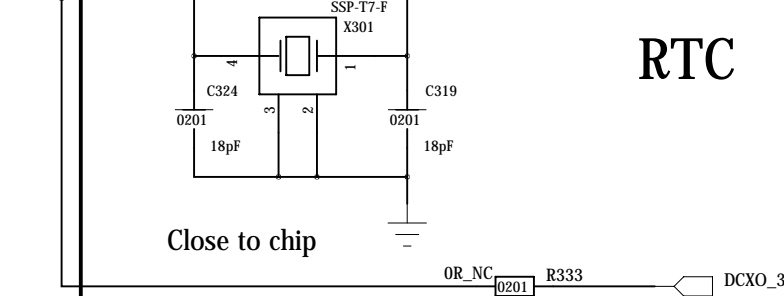
refer to system analog LDO performance improve proposal



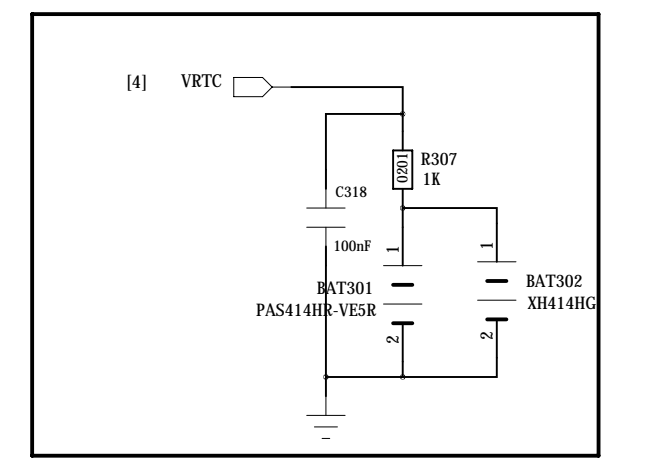
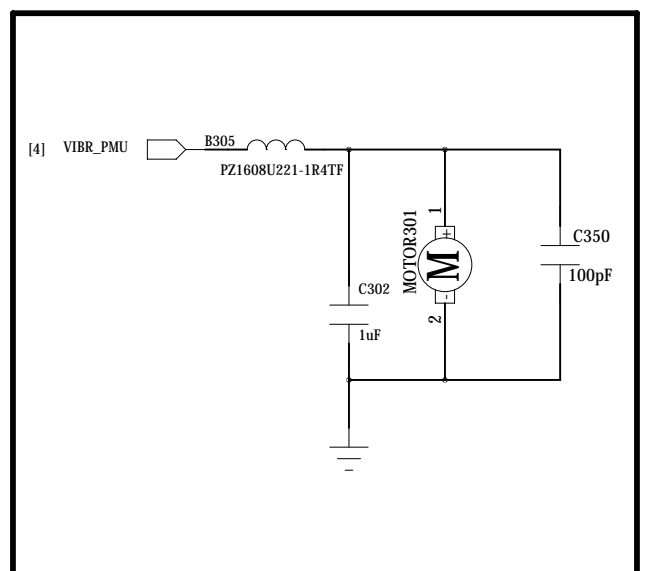
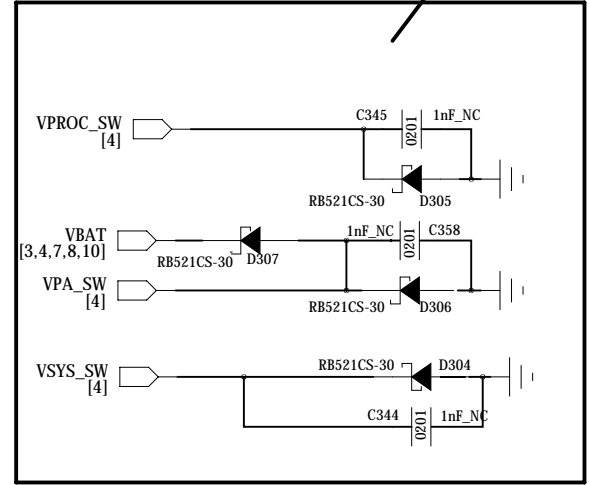
Please use inductor recommend by MTK Refer to MT6323 design notice

dedicate VSS ball, must return to cap then to main GND:  
1. GND\_VREF(N14) => C320

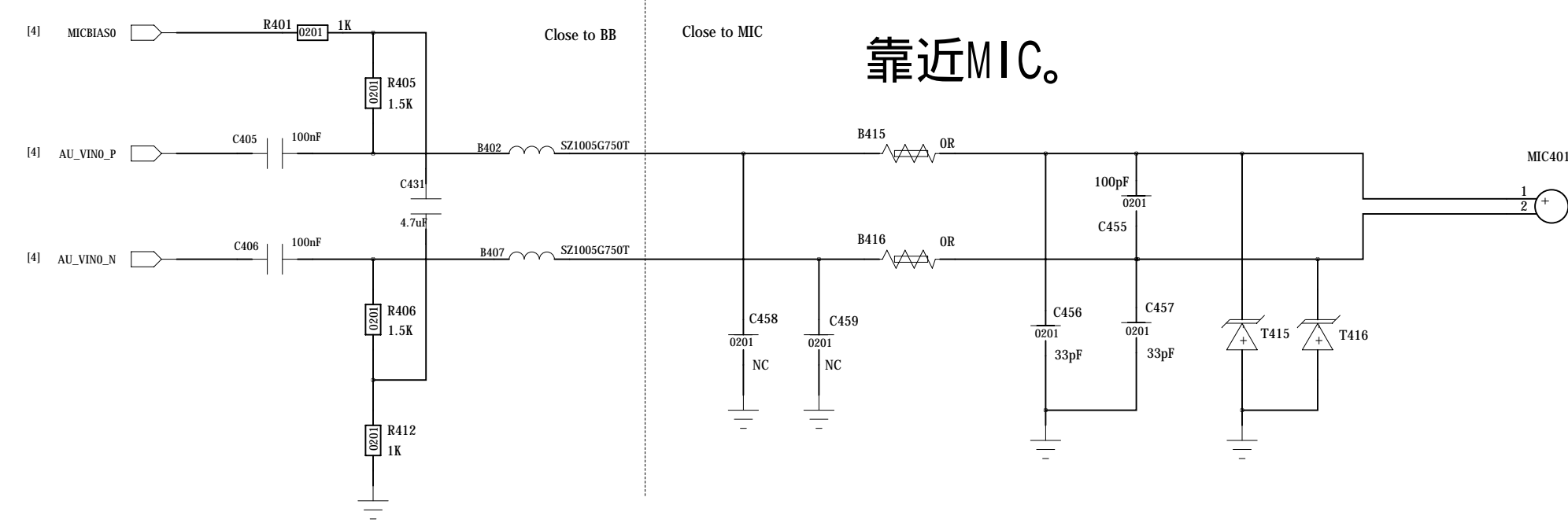
RTC 32K : X301+C324+C319=> mount, R333-> NC  
32K-less: X301+C324=> remove, C319+R333=> 0R



Based on your system level design, if lower LX voltage swing is needed on your system, please refer to Buck LX voltage swing enhance proposal



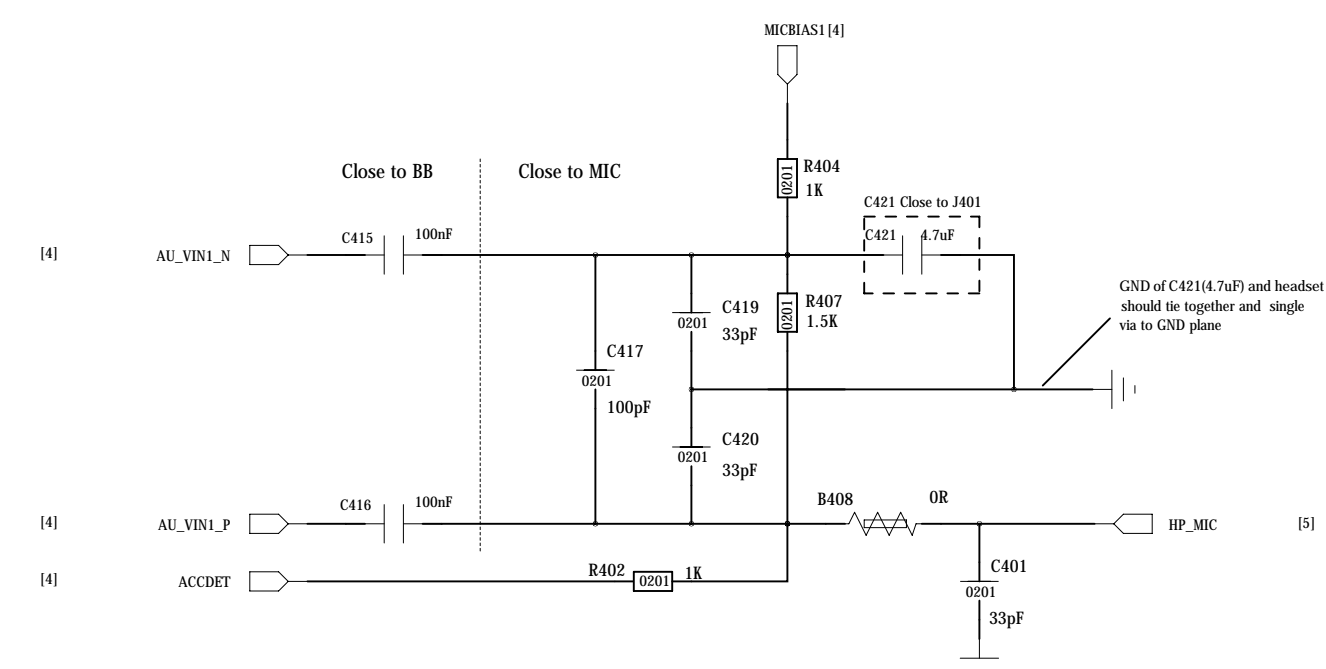
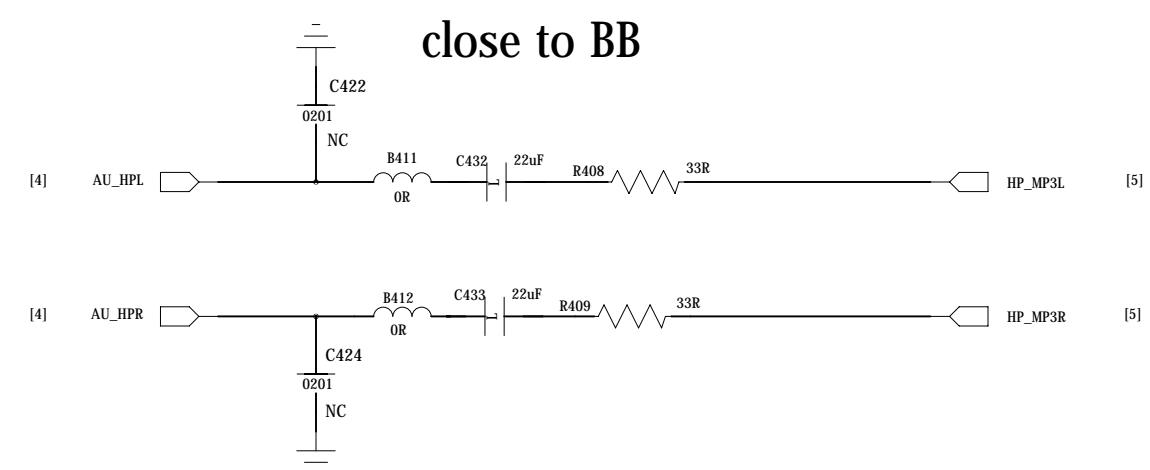
==> for longer RTC time sustain after battery remove, please refer to RTC design notice



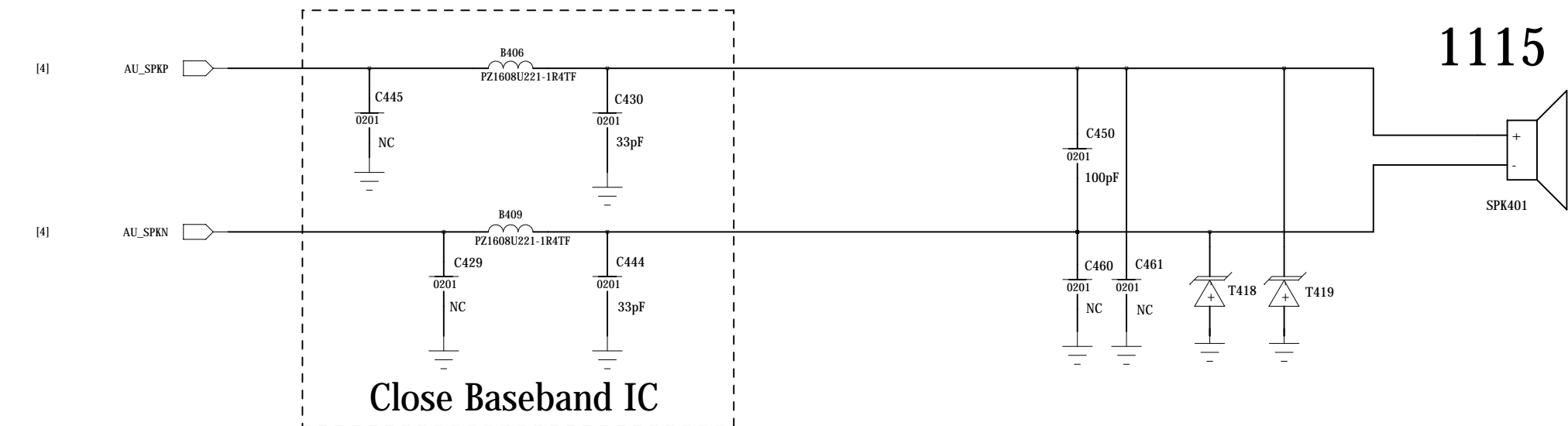
Microphone

Earphone MICOPHONE

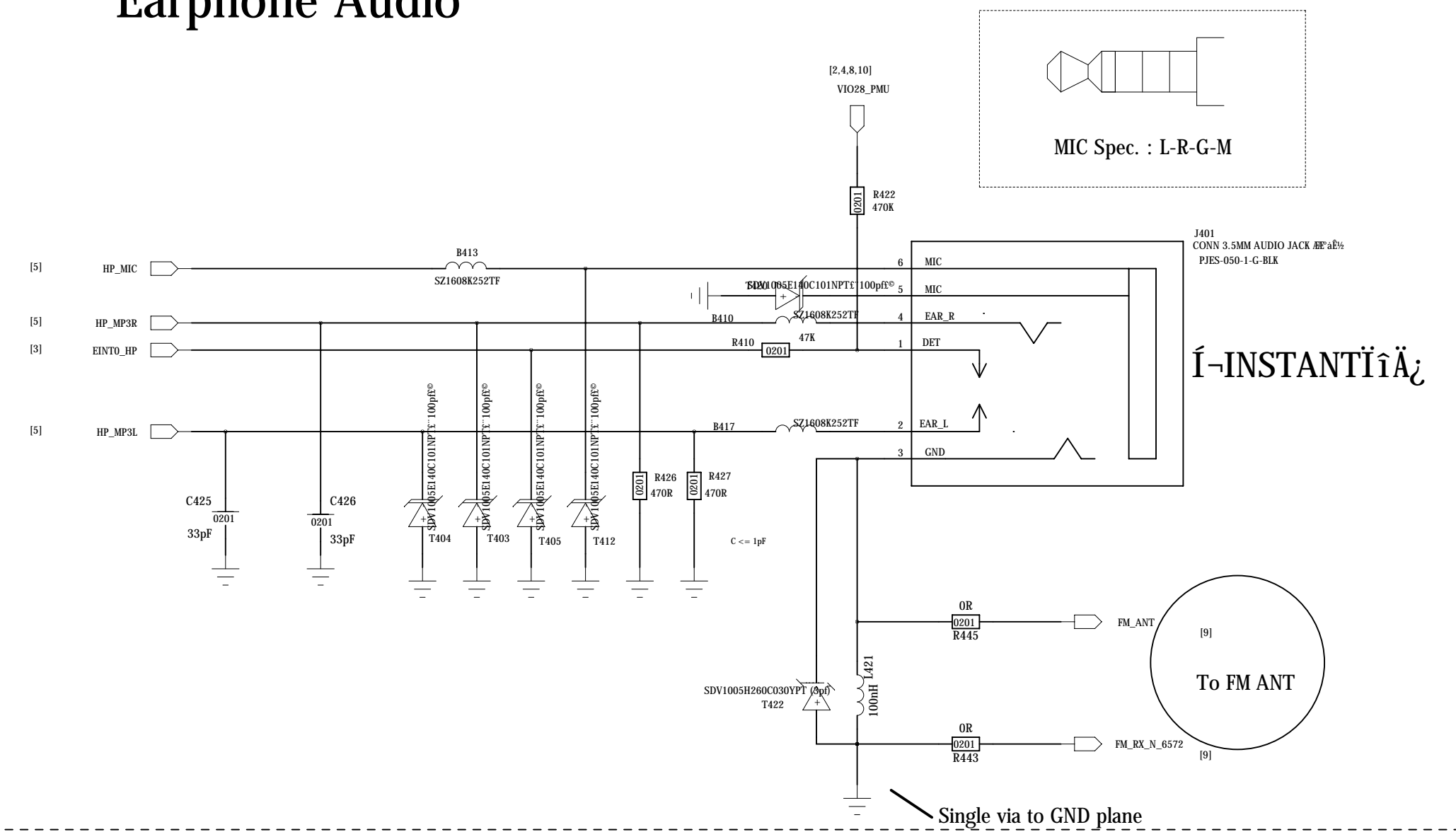
Earphone Receiver



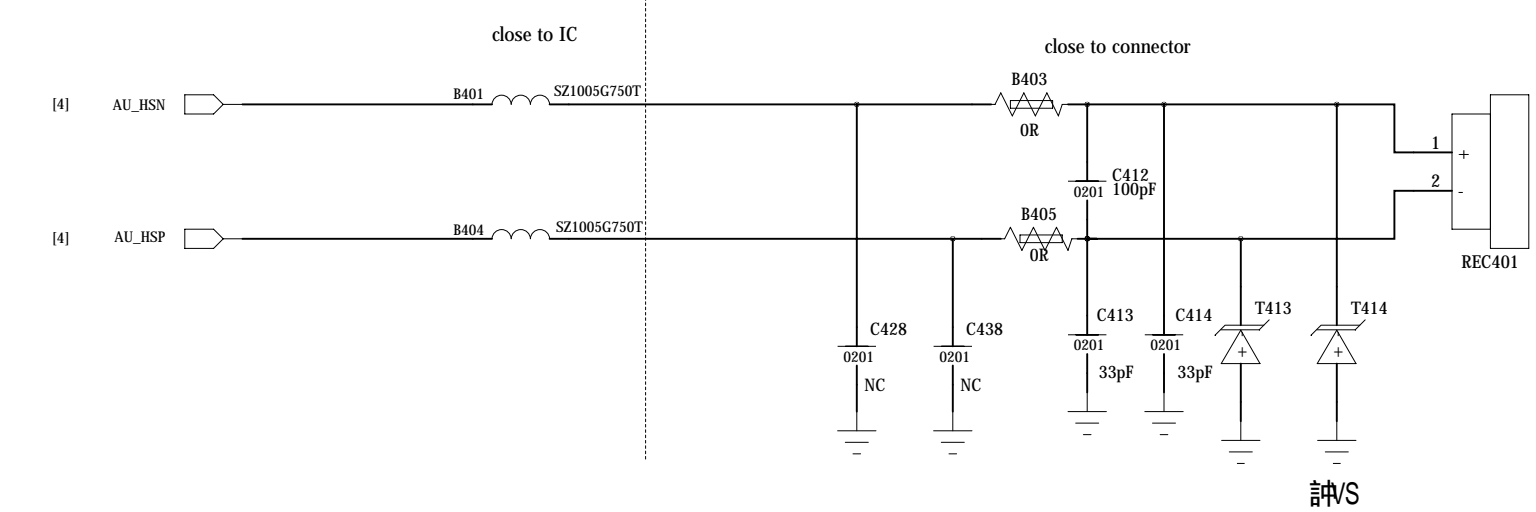
EXTERIOR AUDIO AMPLIFIER



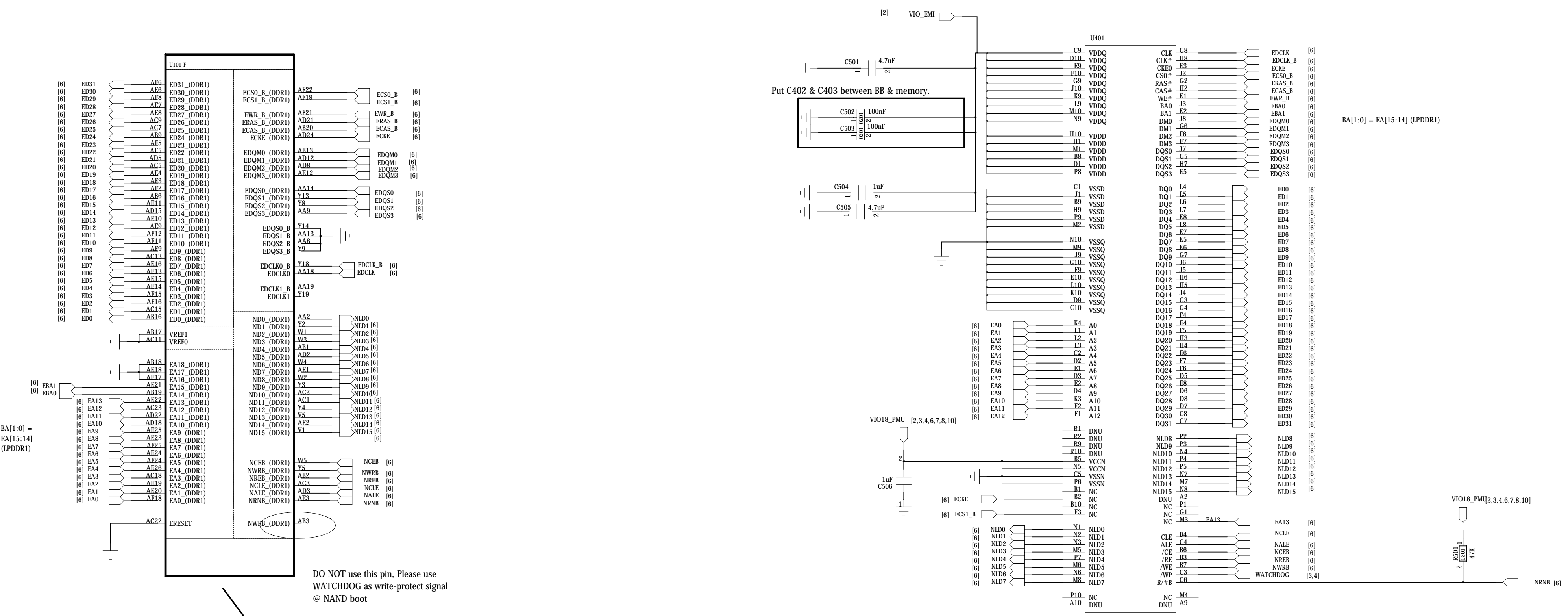
Earphone Audio



SPEECH Receiver



# NAND-LPDDR1



DO NOT use this pin. Please use WATCHDOG as write-protect signal @ NAND boot

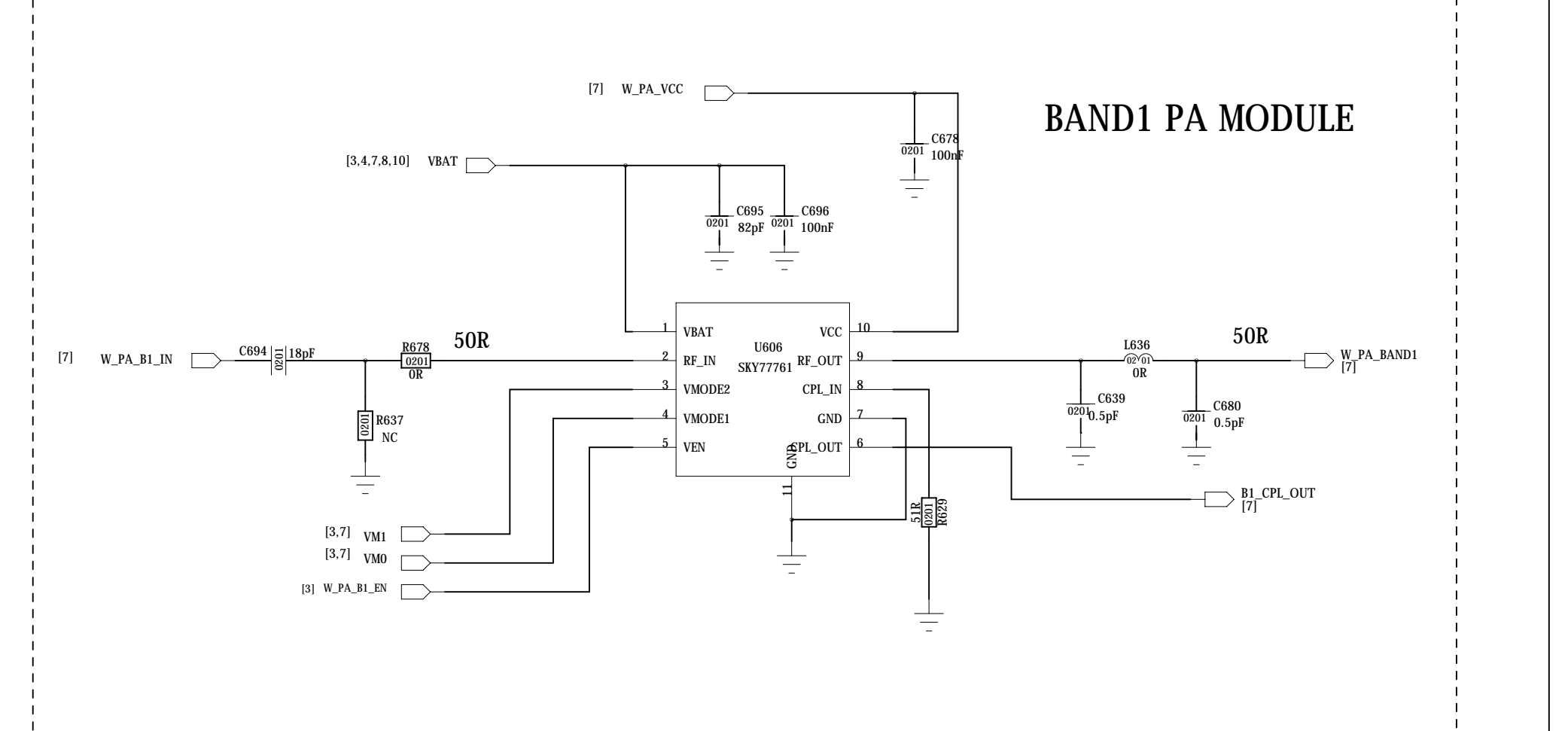
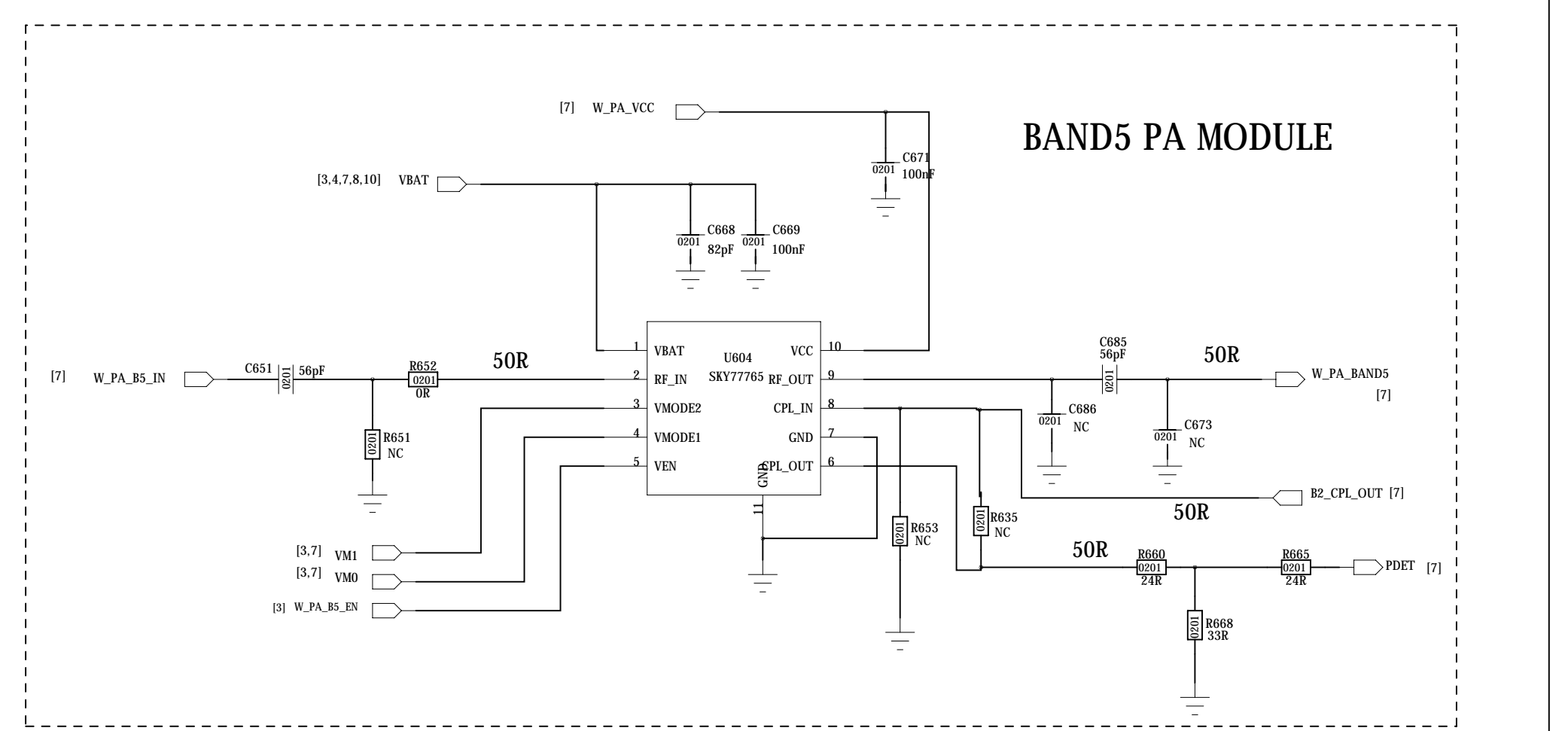
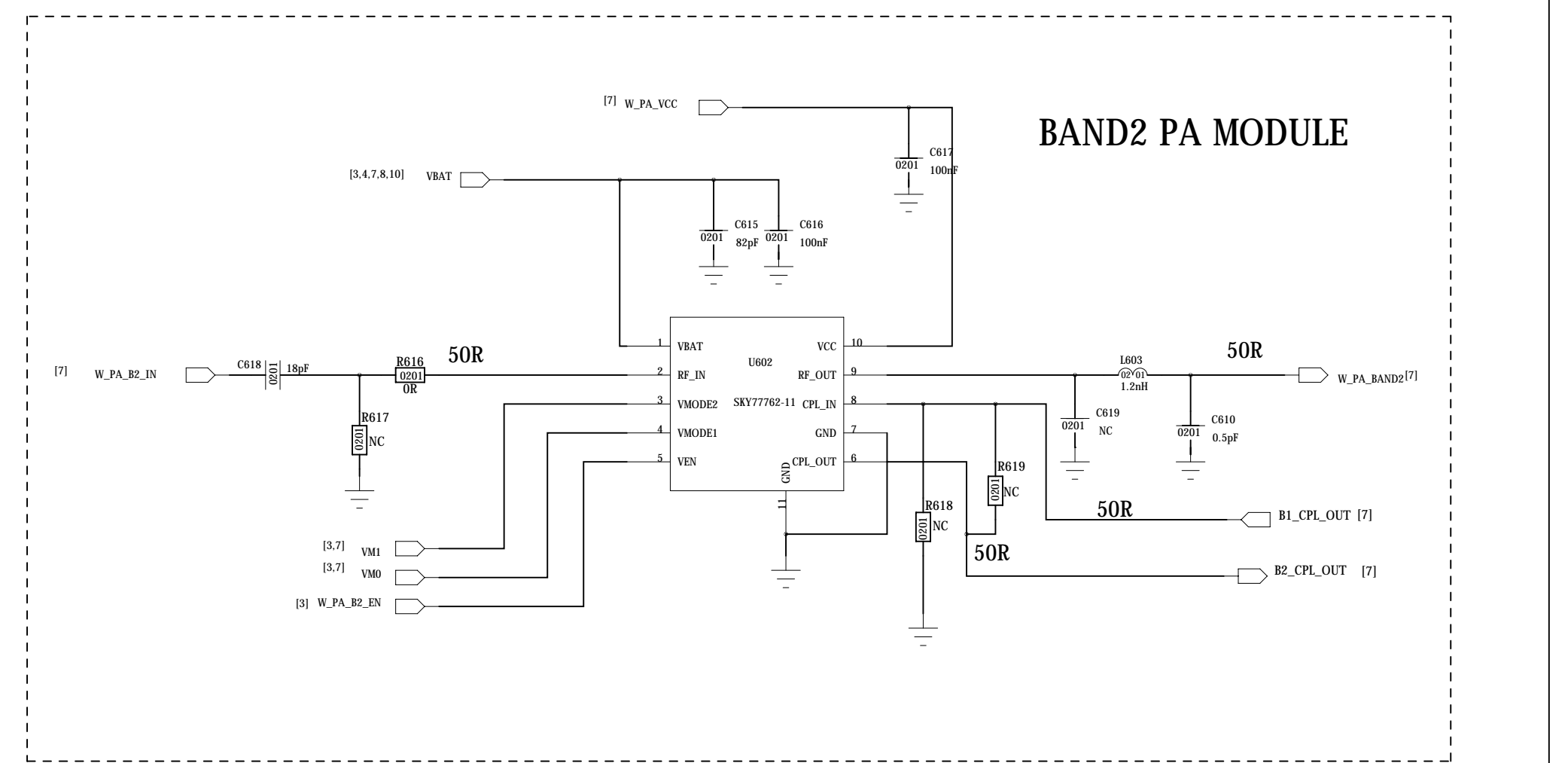
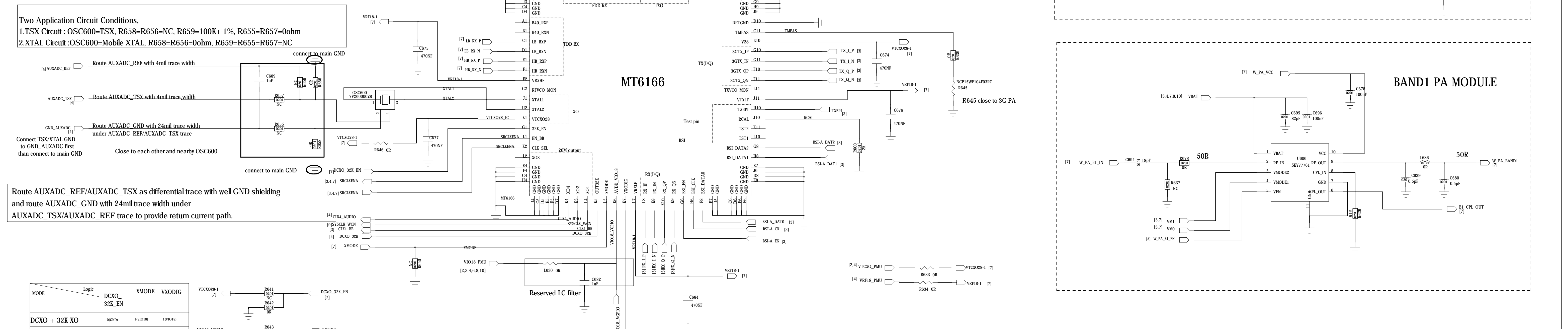
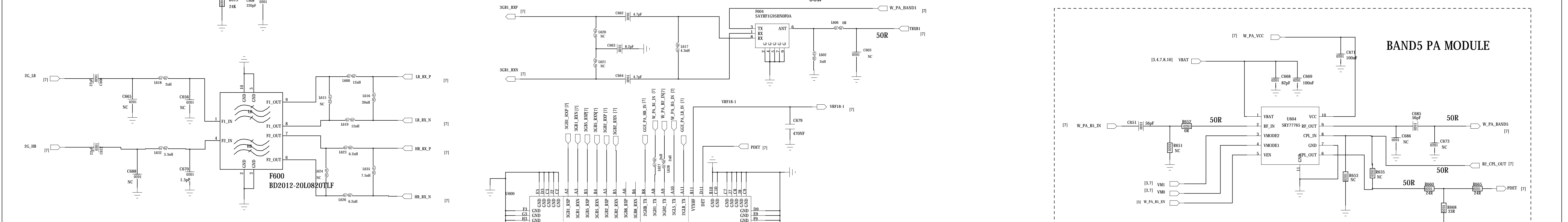
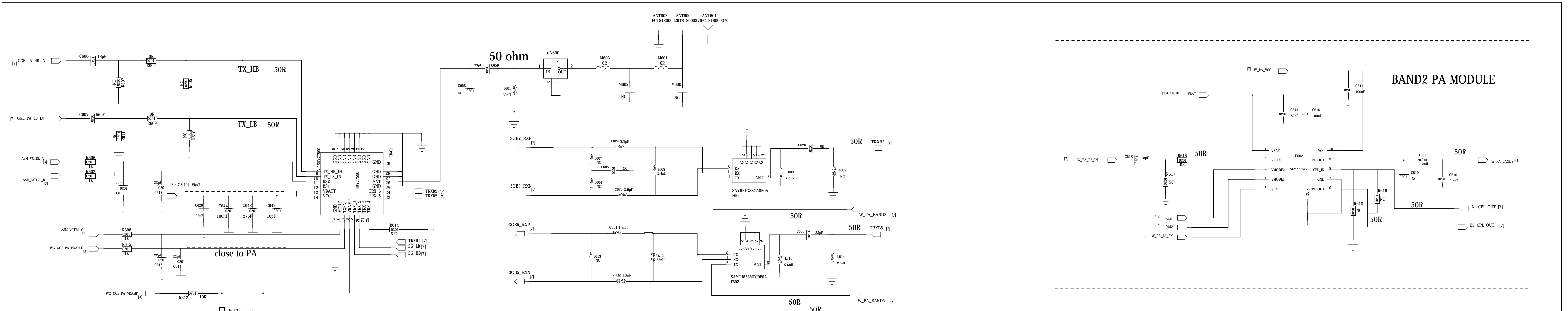
Please make sure the ball map is match to the MCP type you selected

For other memory pin mux, please refer to Design Notice "DDR1/DDR2 Pin Mux" and "NAND/eMMC Pin Mux"

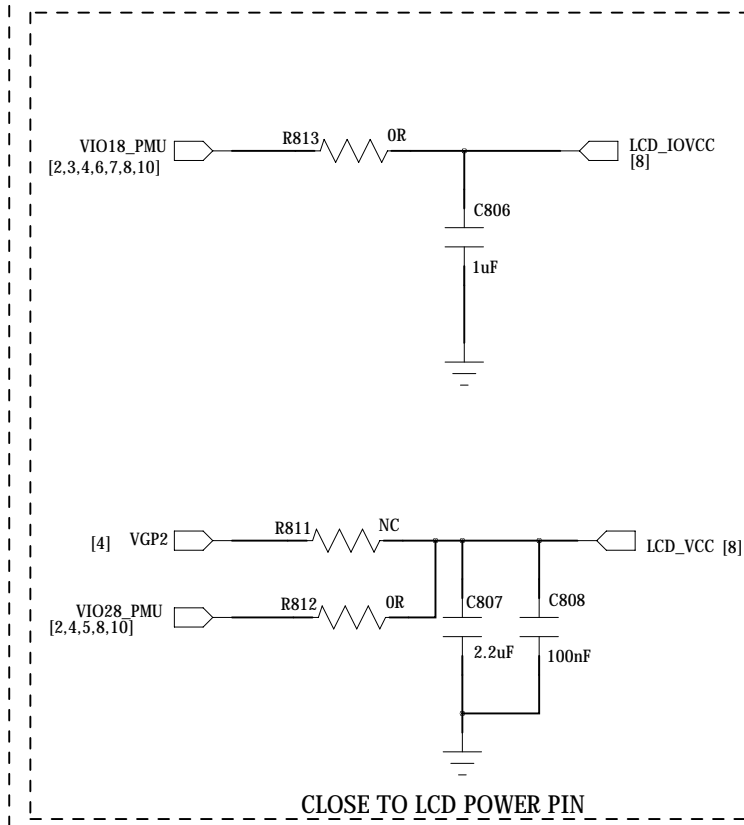


|  |                |   |                             |
|--|----------------|---|-----------------------------|
| THIS DOCUMENT CONTAINS PROPRIETARY INFORMATION AND SHALL NOT BE DUPLICATED OR DISCLOSED TO OTHERS WITHOUT THE PRIOR WRITTEN PERMISSION OF CK Techniaith Communication Technology Limited |                | <b>CK Telecom</b><br>Communication Technology Limited |                             |
| DRAWN: Shouchuang Zou  | DATE: 2018-3-5 | TITLE: MT6272W  |                             |
| CHECKED:   | DATE:          | SIZE: D   | DRAWING NO: 5-MEM           |
| DESIGNED:  | DATE:          | SCALE: 1:1  | SHEET: 6 OF 11<br>REV: V1.0 |

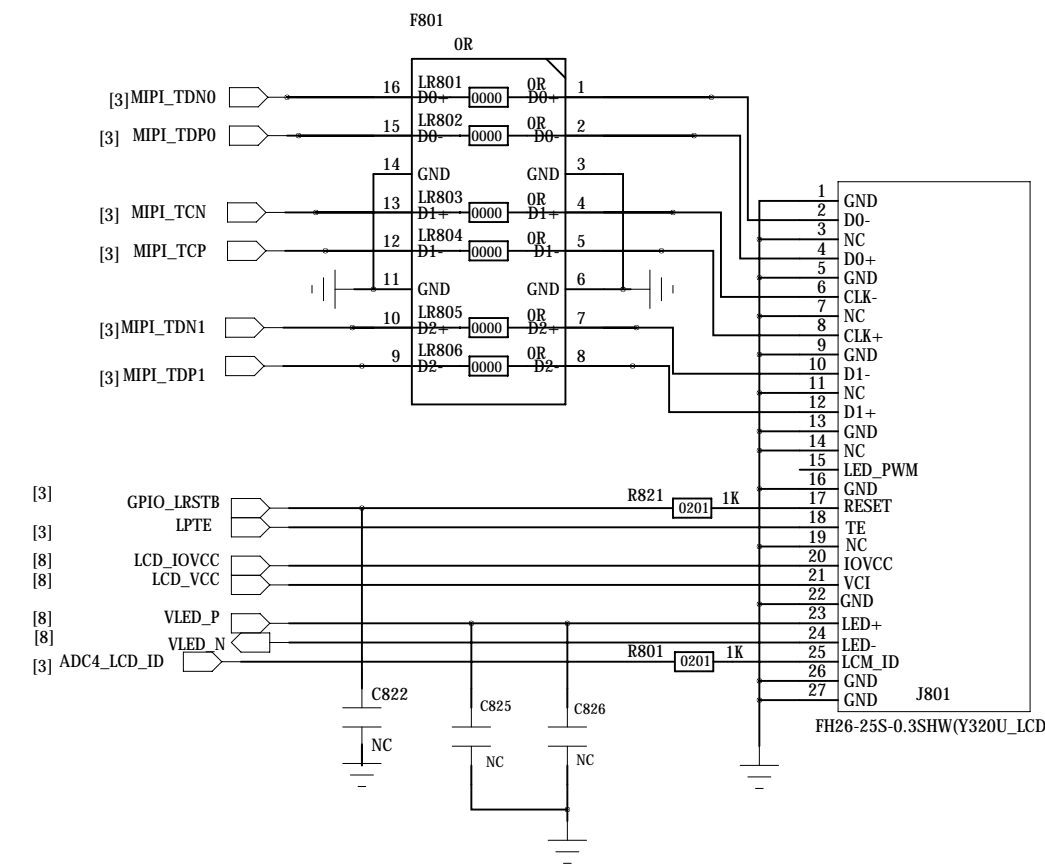




# 4.0" WVGA LCD



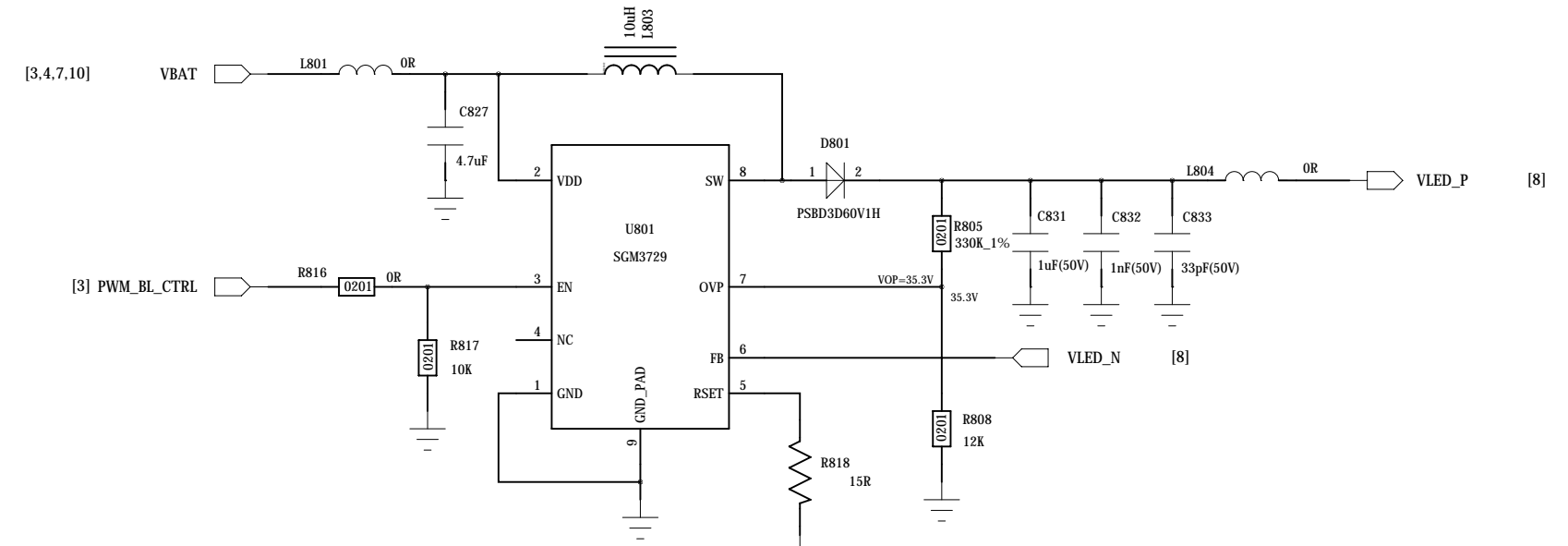
CLOSE TO LCD POWER PIN



# Backlight LED Driver

待更新参数

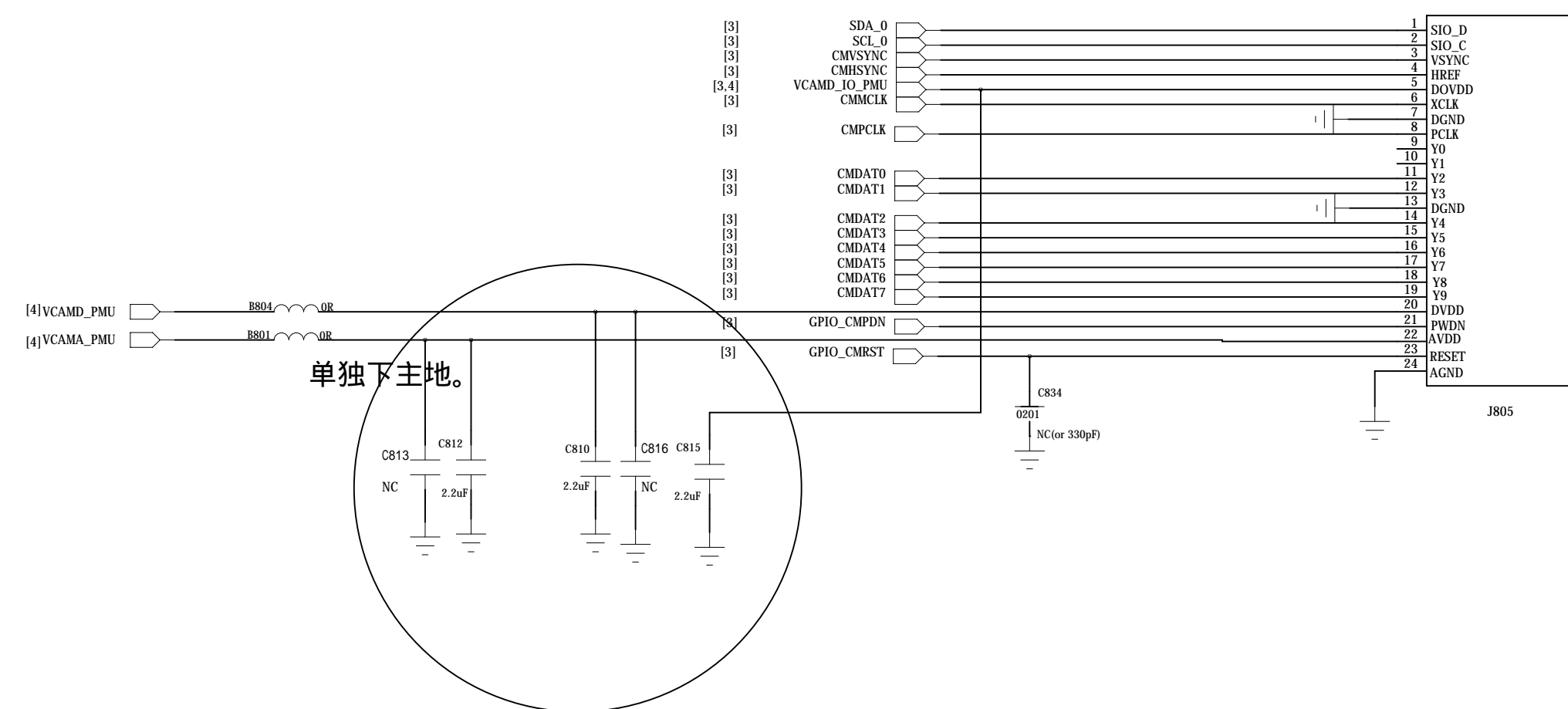
VOUT max : 38V  
Switch Frequency / 5KHz~100KHz  
VFB : 200mV



L803µC 4.7uH SWPA3010S4R7MT  
C831µC 1uF 50V CL10A105KA8NNNC

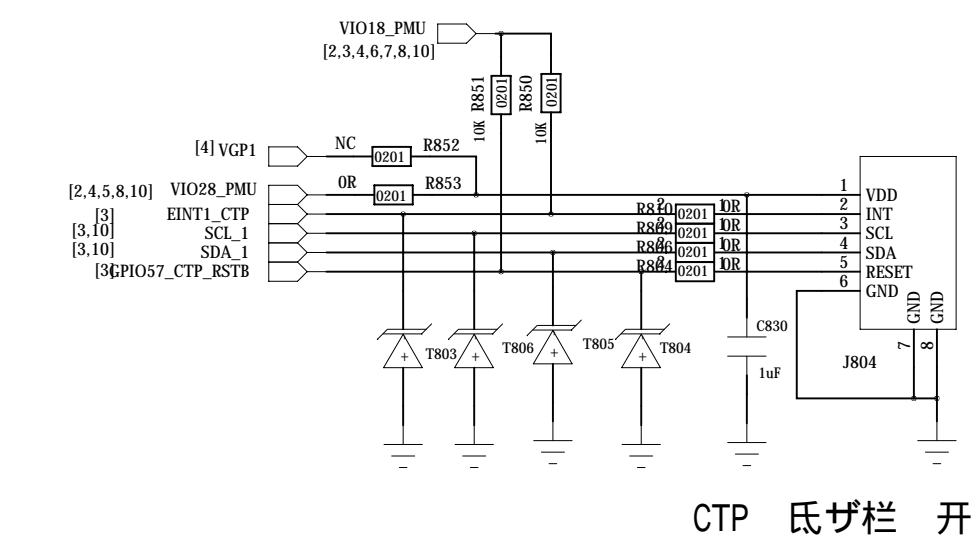
# MAIN CAMERA

camera DOVDD must=1.8V  
2M CAMERA CONNECOR



# CTP

注意：CTP工作电压2.8V，但是I2C电 刚梯 .8V,需要 啡姆TP IC是否

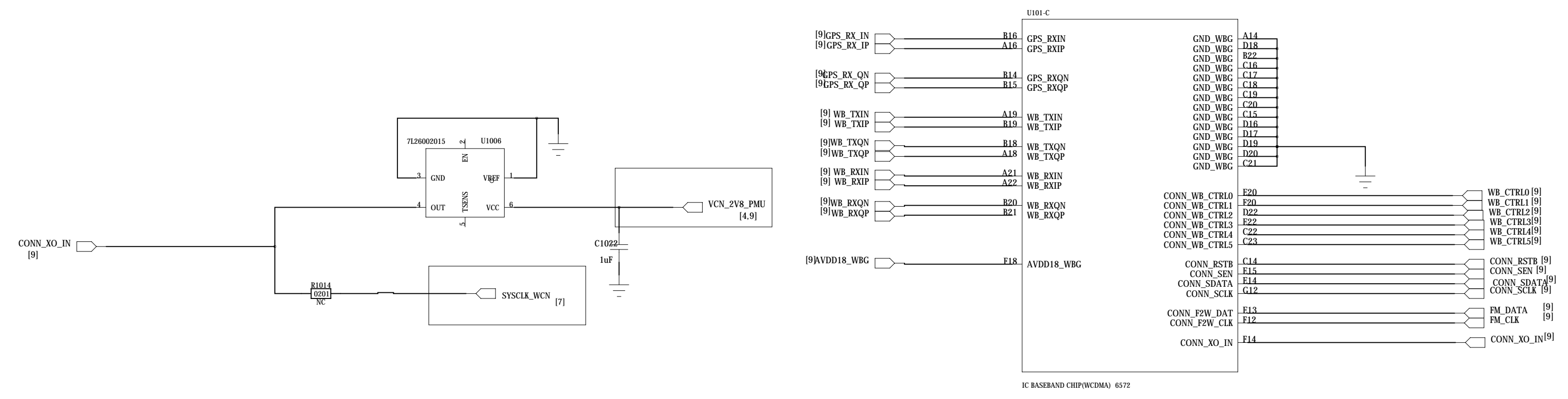


CTP 氏ザ栏 开

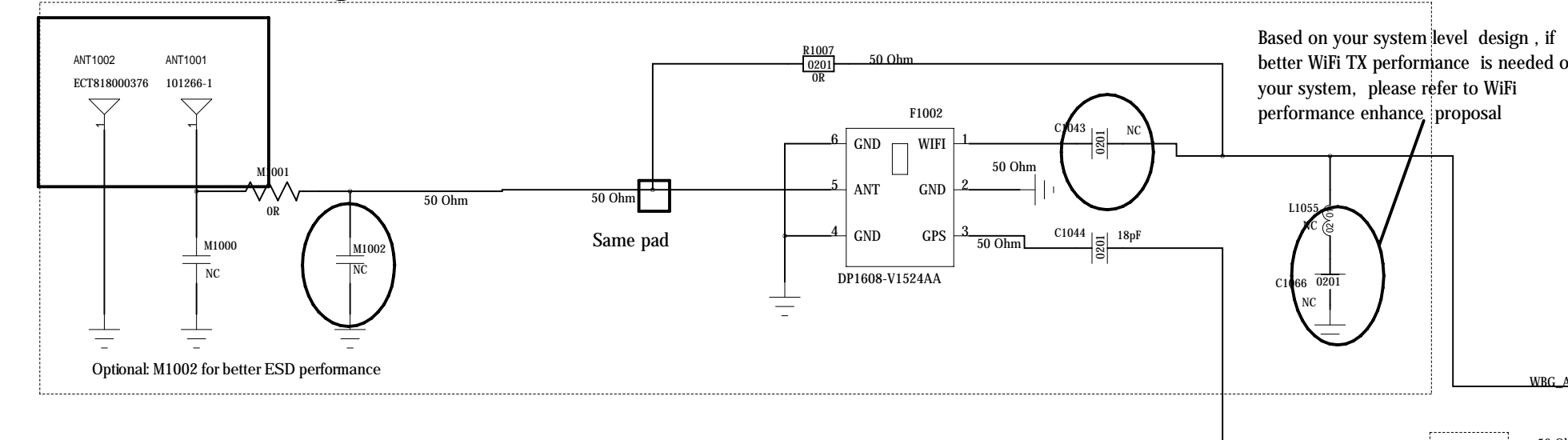


|  |                |  |                             |
|--|----------------|--|-----------------------------|
| THIS DOCUMENT CONTAINS PROPRIETARY INFORMATION AND SHALL NOT BE DUPLICATED OR DISCLOSED TO OTHERS WITHOUT THE WRITTEN PERMISSION OF CK Techniaith Communication Technology Limited |                | CK Telecom<br>Communication Technology Limited |                             |
| DRAWN: Shouchuang.Zhang  | DATE: 2013-3-5 | TITLE: MT6272W                                 |                             |
| CHECKED:   | DATE:          | SIZE: D  | DRAWING NO: 7-LCD/CAM/CTP   |
| DESIGNED:  | DATE:          | SCALE: 1:1                                     | SHEET: 8 OF 11<br>REV: V1.0 |

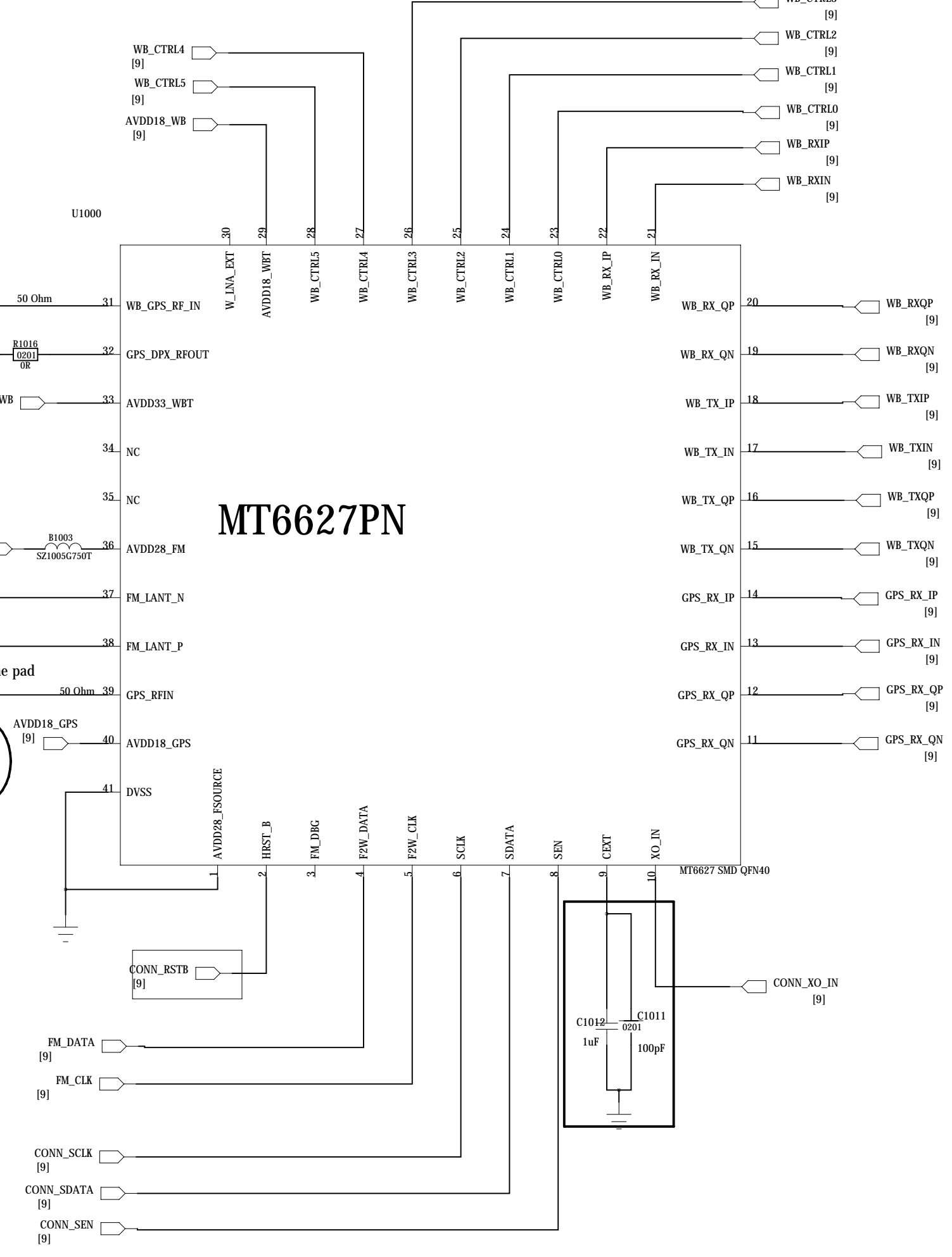




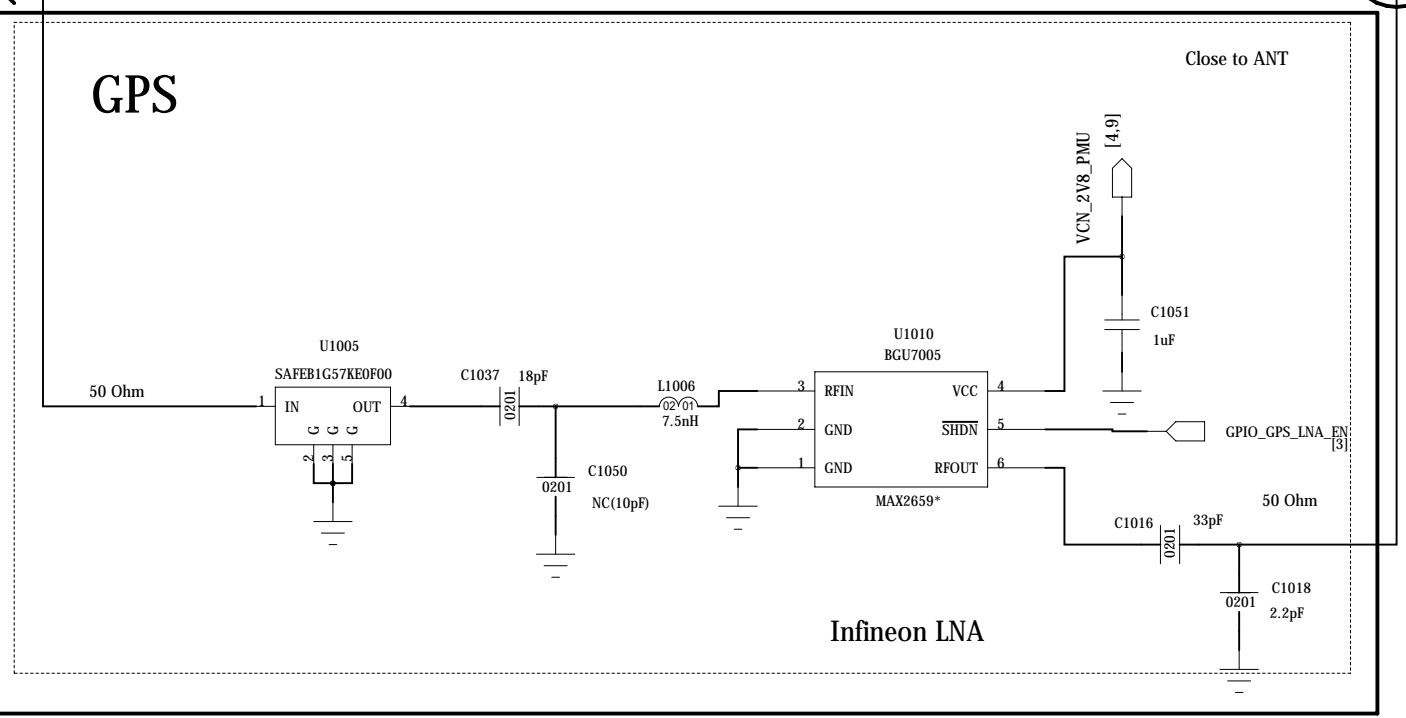
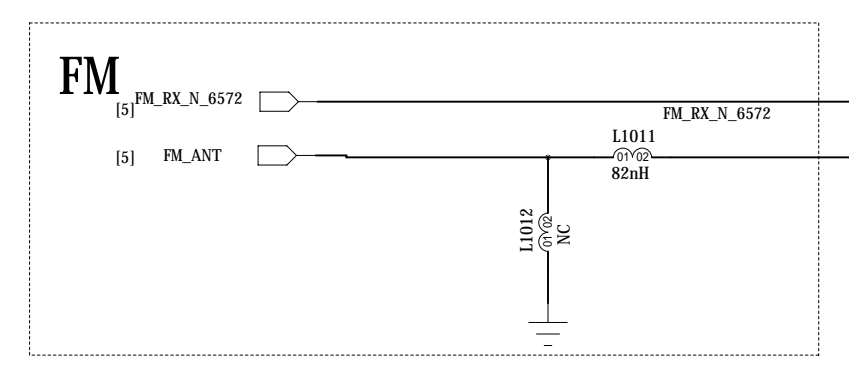
**WIFI/BT/GPS Single ANT Ref.**



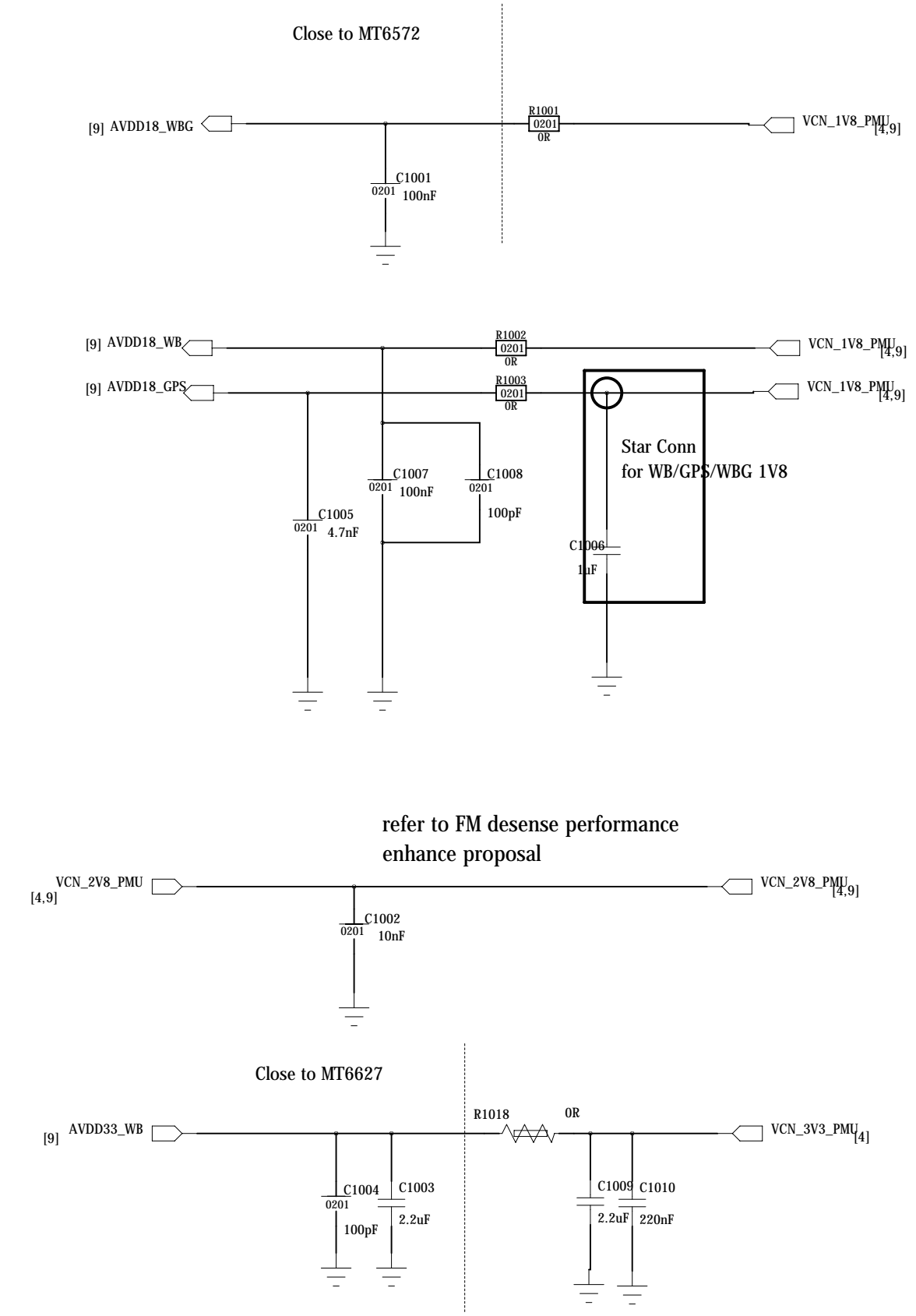
Based on your system level design , if better WiFi TX performance is needed on your system, please refer to WiFi performance enhance proposal



**MT6627PN**



Based on your system level design , if better GPS performance is needed on your system, please refer to GPS performance enhance proposal



Close to MT6572

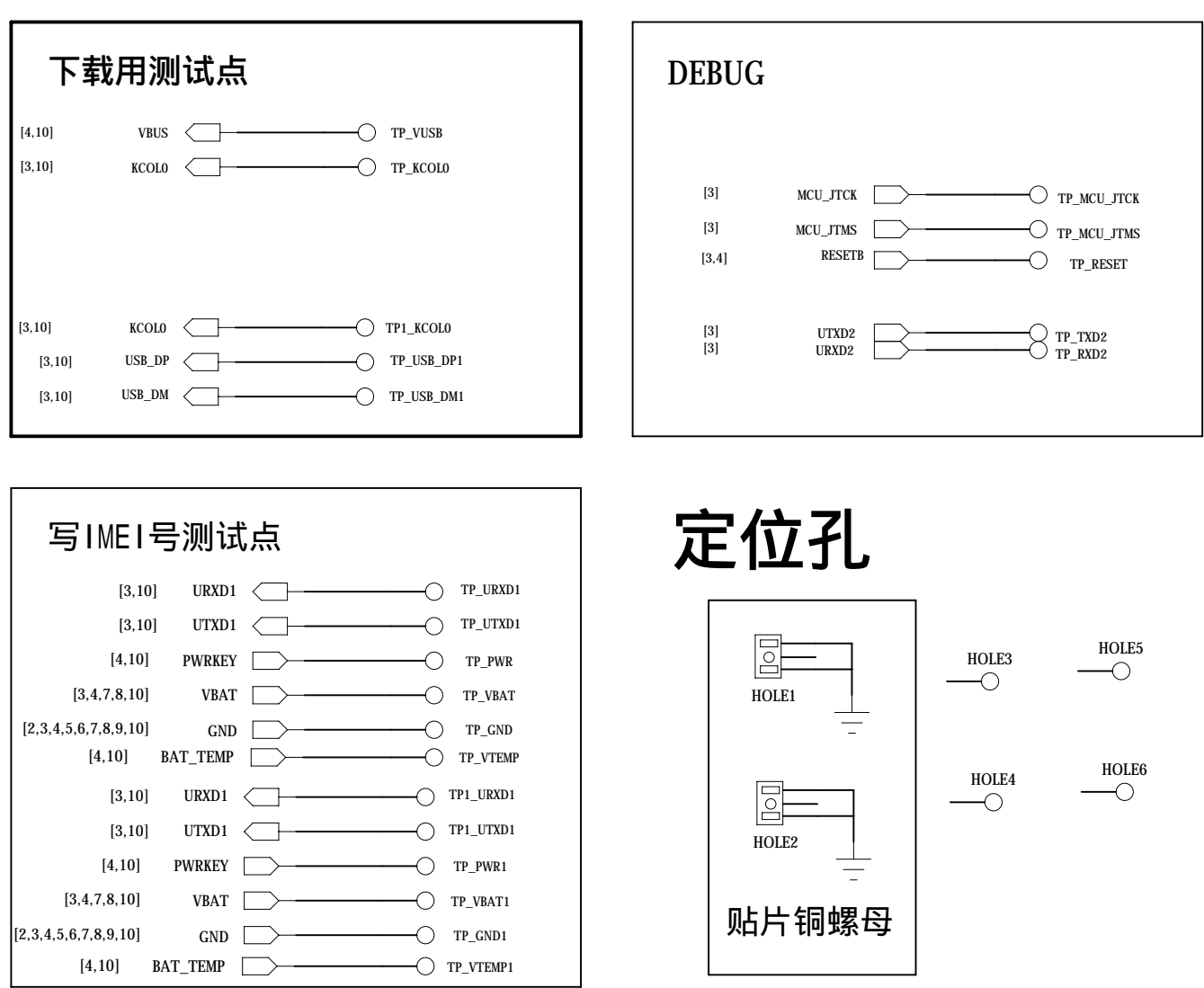
refer to FM desense performance enhance proposal

Close to MT6627

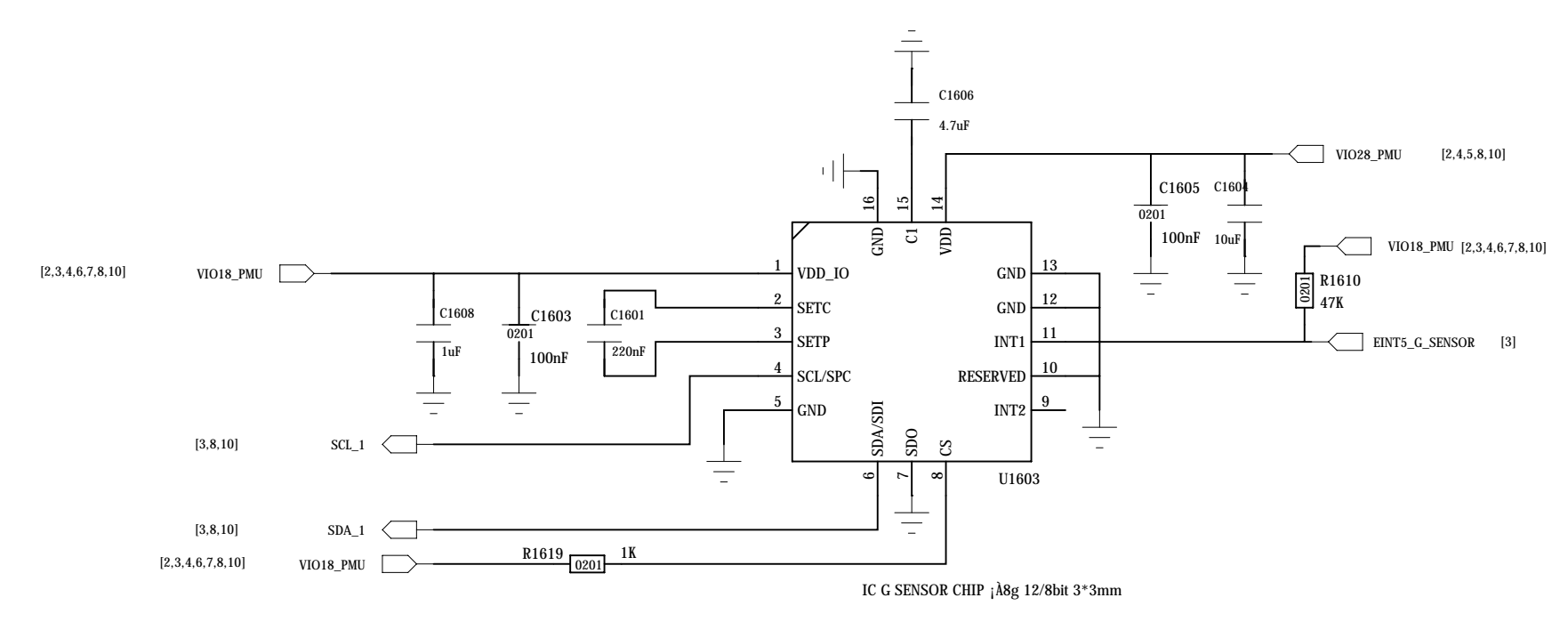


|   |                   |                   |                                     |   |  |
|---|-------------------|-------------------|-------------------------------------|---|--|
| THIS DOCUMENT CONTAINS PROPRIETARY INFORMATION AND SHALL NOT BE DUPLICATED OR DISCLOSED TO OTHERS WITHOUT THE PRIOR WRITTEN PERMISSION OF CK Telefaith Communication Technology Limited |                   |                   |                                     | <b>CK Telecom</b><br>Communication Technology Limited |  |
| DRAWN:<br>Mo Haihua   | DATE:<br>2013-3-5 | TITLE:<br>MT6272W |                                     |   |  |
| CHECKED:  | DATE:             | SIZE:<br>D        | DRAWING NO:<br>9-MT6627_GPS_BT/WIFI |   |  |
| DESIGNED:   | DATE:             | SCALE:<br>1:1     | SHEET:<br>9 OF 11                   | REV:<br>V1.0  |  |

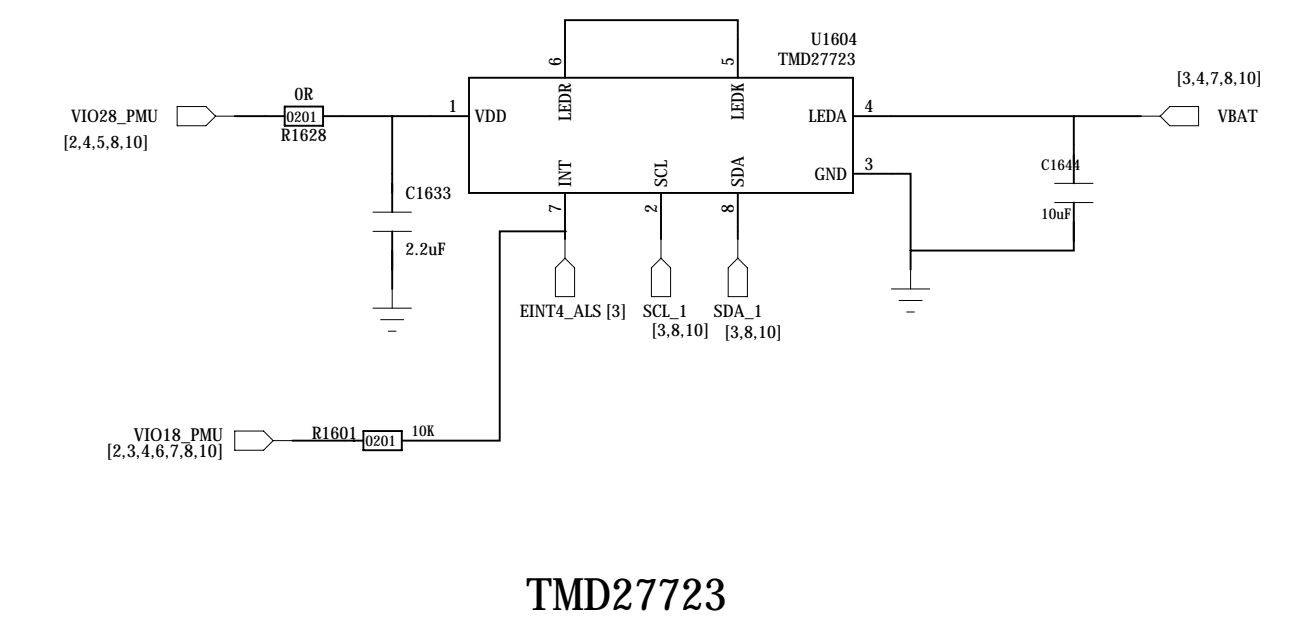
### 测试点



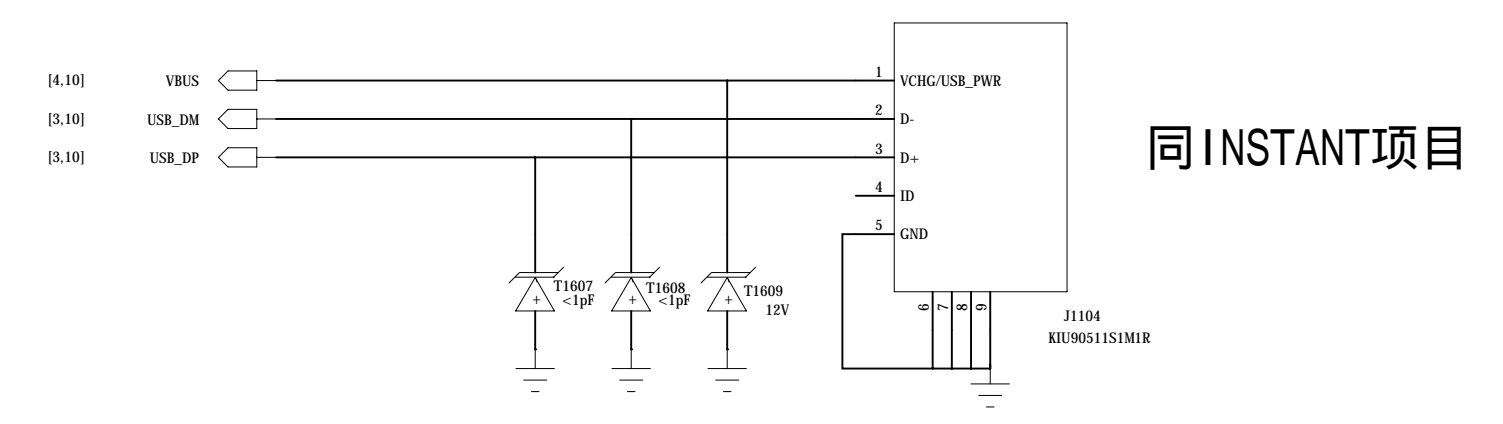
### G-sensor



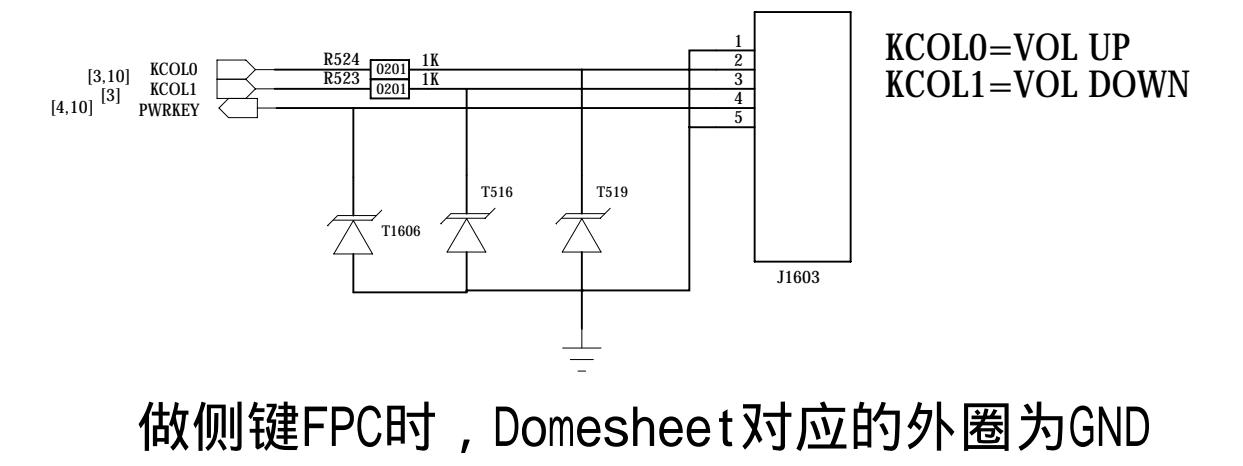
### Ambient Light and Proximity Sensor



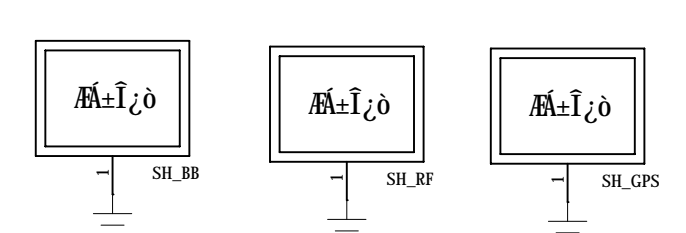
### USB I/O



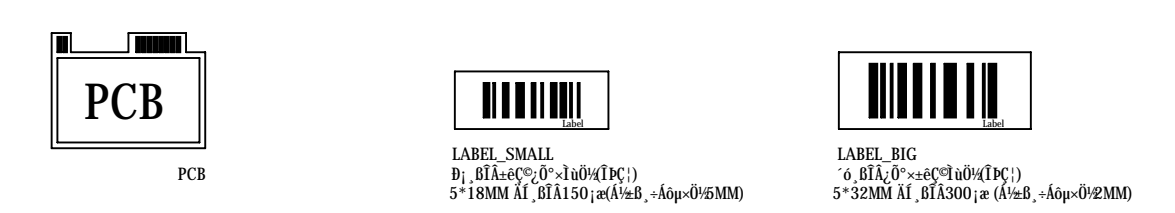
### 开机键与音量键



### 屏蔽框



### PCB 标识



|  |                |   |                                     |           |  |
|--|----------------|---|-------------------------------------|-----------|--|
| THIS DOCUMENT CONTAINS PROPRIETARY INFORMATION AND SHALL NOT BE DUPLICATED OR DISCLOSED TO OTHERS WITHOUT THE PRIOR WRITTEN PERMISSION OF CK Techniaith Communication Technology Limited |                | <b>CK Telecom</b><br>Communication Technology Limited |                                     |           |  |
| DRAWN: Shouchuang Zhang  | DATE: 2013-3-5 | TITLE: MT6272W  |                                     |           |  |
| CHECKED:   | DATE:          | SIZE: D   | DRAWING NO: 12-SENSOR/KEY/F_LED/BTB |           |  |
| DESIGNED:  | DATE:          | SCALE: 1:1  | SHEET: 10 OF 11                     | REV: V1.0 |  |