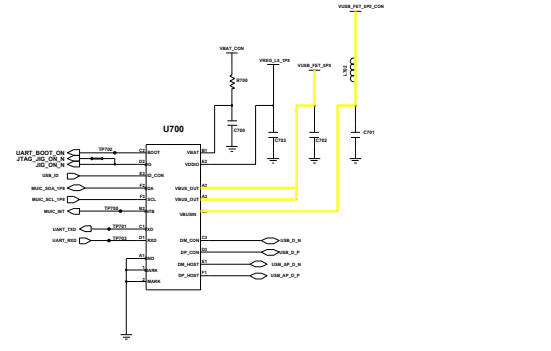
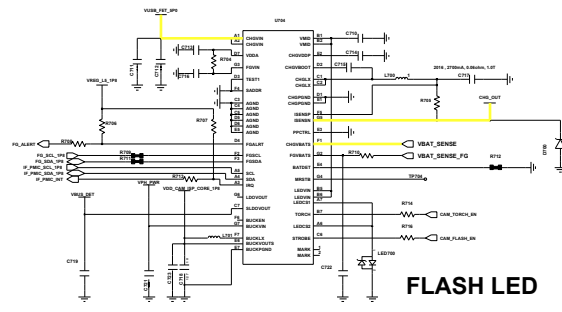


(VIETMOBILE.VN)

— CHARGE



MUIC



FLASH LED

IF PMIC
(Charger / Fuel Gauge / Flash LED / CAM DCDC)

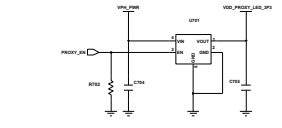


tamiraat.com منبع مقاله

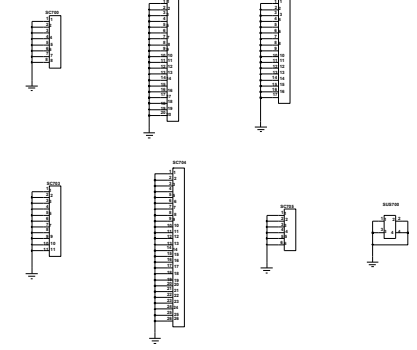
SENSORS PART



ACC SENSOR



Proximity Detector



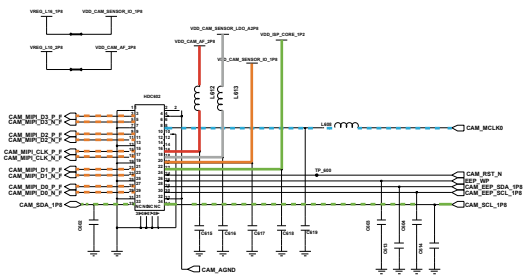
Engineer	AUDIO / MOTOR / KEY	
Checked by	TITLE	REV
ISSUED DATE	B	
DATE OF DATE	DATE	
Checked by	DATE	DATE

SAMSUNG CONFIDENTIAL
 THIS DOCUMENT CONTAINS CONFIDENTIAL
 SAMSUNG AND/OR SAMSUNG SERVICE INFORMATION.
 NO PART OF THIS DOCUMENT IS TO BE REPRODUCED OR
 TRANSMITTED IN ANY FORM OR BY ANY MEANS,
 ELECTRONIC OR MECHANICAL, INCLUDING PHOTOCOPYING,
 RECORDING, OR BY ANY INFORMATION STORAGE AND
 RETRIEVAL SYSTEM, WITHOUT PERMISSION IN WRITING
 ASSET AS AUTHORIZED BY SAMSUNG.

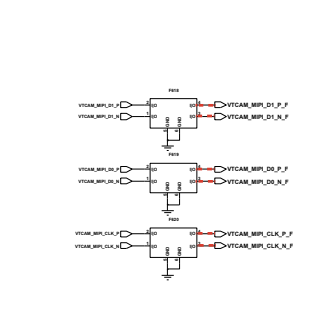
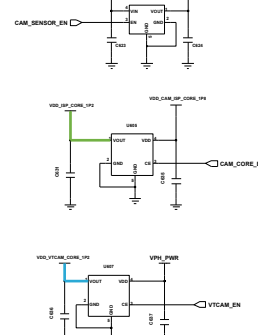
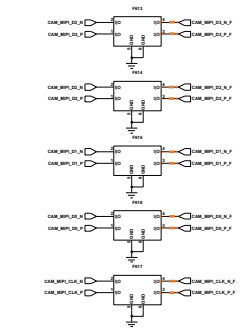
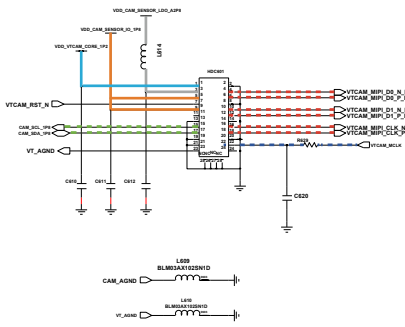
CAMERA PART

- CAM SENSOR POWER
- CAM IO POWER
- CAM AP POWER
- CAM ISP CORE
- VTCAM CORE
- VTCAM MIPI
- CAM I2C
- CAM MCLK
- VTCAM MCLK
- CAM MIPI
- TFLASH
- SIM2
- SIM1

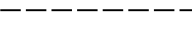
13M_CAM Connector (MIPI)



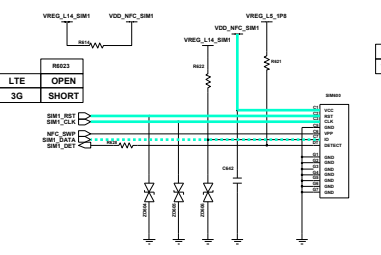
5M_VT_CAM



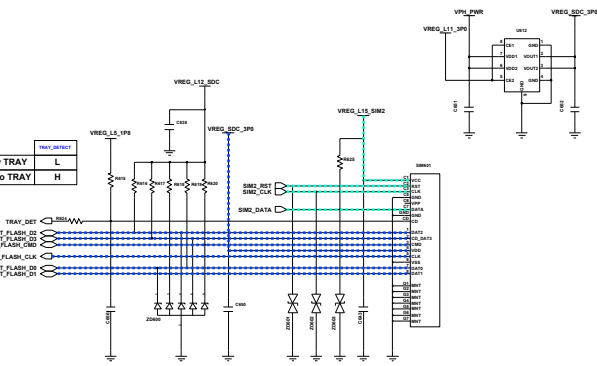
VT CAM LDO



SIM / SD CARD PART

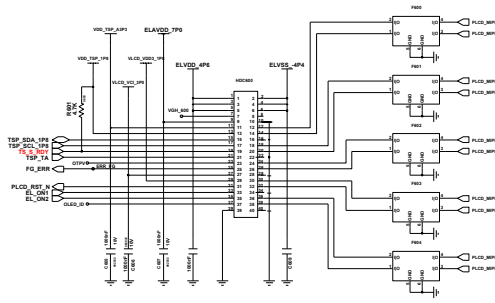


TRAY NANO SIM1 SOCKET

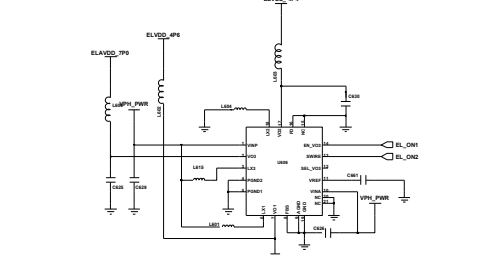


TRAY HYBRID(SIM2/SD) SOCKET

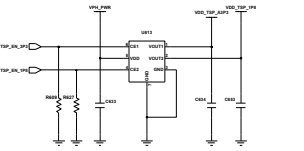
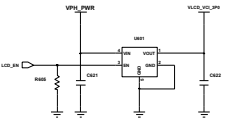
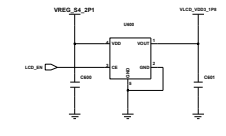
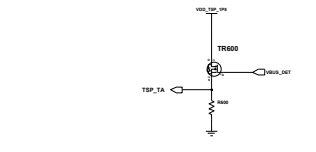
DISPLAY PART



OCTA CONN

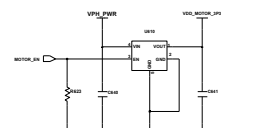


HD OCTA DC-DC

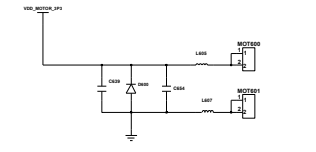


TSP LDO

MOTOR PART



MOTOR LDO(150mA)



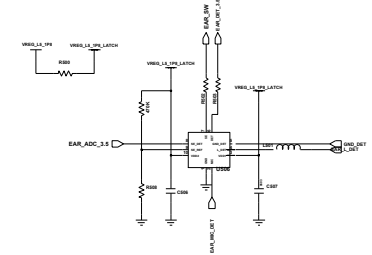
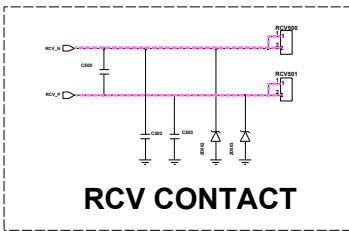
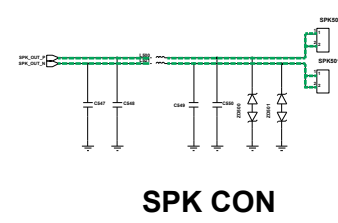
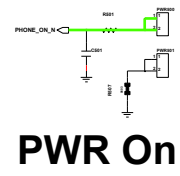
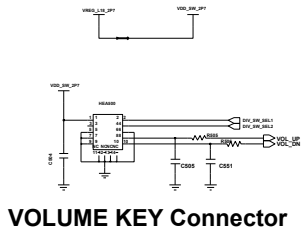
Vibrator PAD

Project:	CAMERA / LCD / SIM,SD CON
Drawn by:	
Check by:	B
Design Date:	
Rev. No.:	
Rev. Date:	

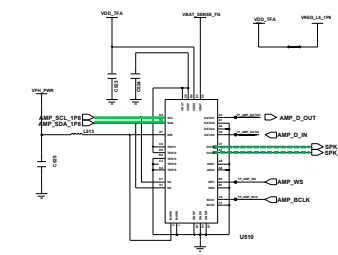
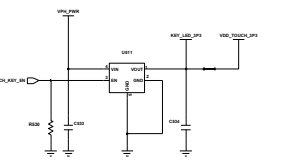
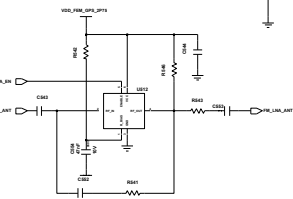
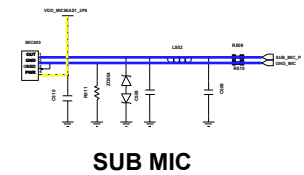
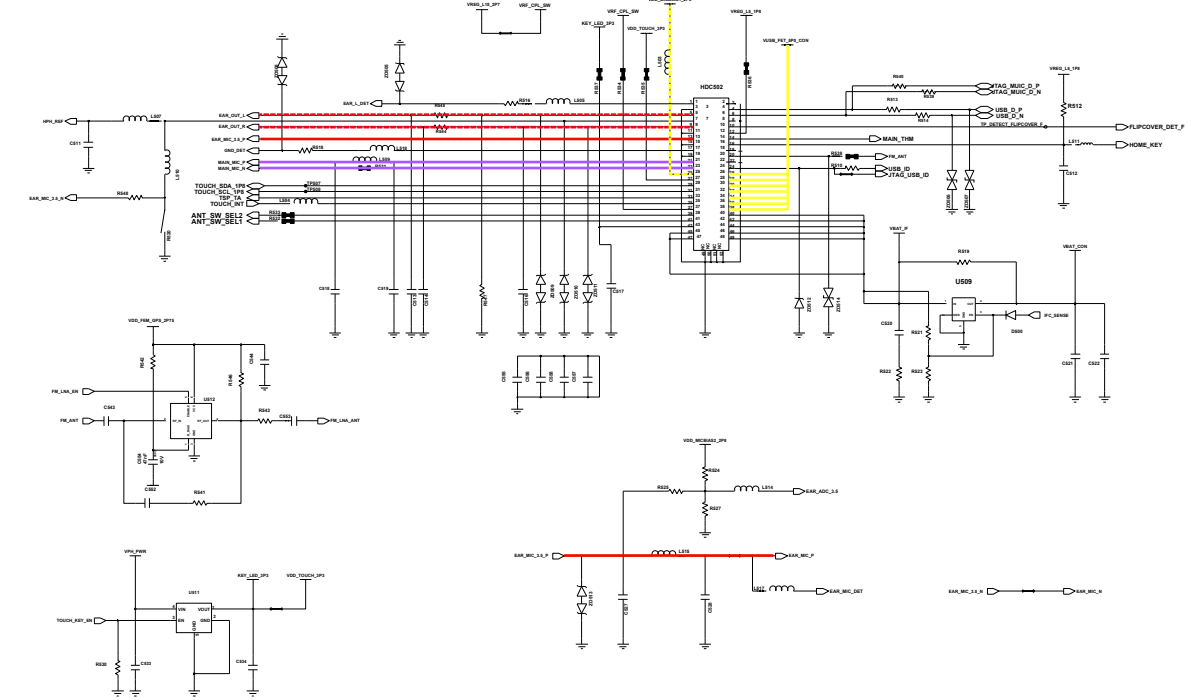
SAMSUNG CONFIDENTIAL
THIS DOCUMENT CONTAINS CONFIDENTIAL
SAMSUNG PROPERTY INFORMATION.
SAMSUNG ACCEPTS NO LIABILITY FOR
USE OF ANY INFORMATION CONTAINED
HEREIN THAT IS NOT EXPRESSLY
AUTHORIZED BY SAMSUNG.

AUDIO PART

- EAR L/R OUT
- SPK OUT
- RCV OUT
- EAR MIC IN
- MAIN MIC IN
- SUB MIC IN
- MAIN/SUB MIC POWER
- NXP IC I2C
- POWER ON
- CHARGE



IF SUB PBA CONNECTOR



TOUCHKEY LDO

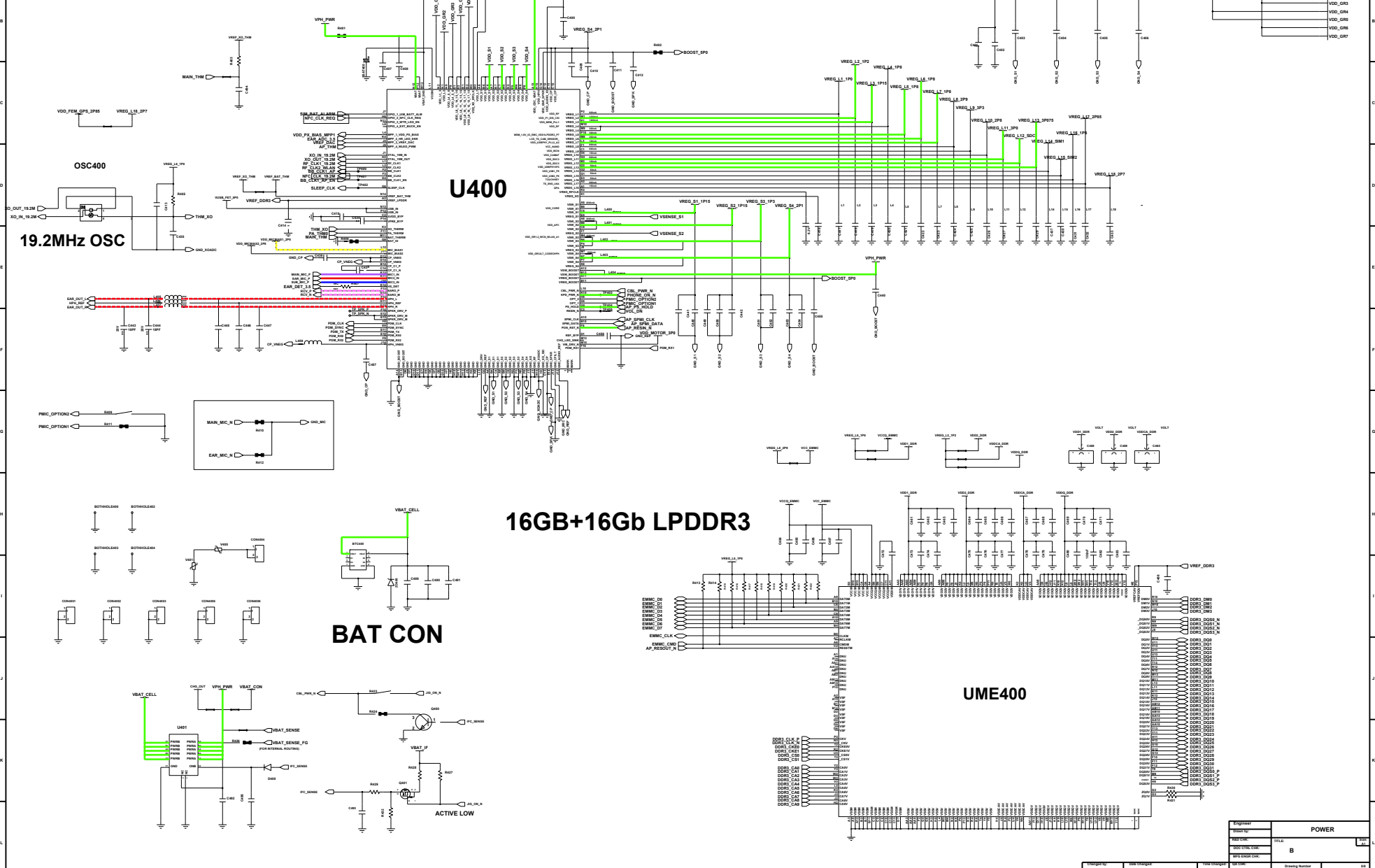
NXP AUDIO AMP

Engineer	AUDIO / MOTOR / KEY		
Checked by		DATE	
DESIGN DATE		TITLE	
DOC CTRL CODE	B		
REVISED CODE			
DATE		Drawing Number	434

SAMSUNG CONFIDENTIAL
 THIS DOCUMENT CONTAINS CONFIDENTIAL
 SAMSUNG AND/OR SAMSUNG AFFILIATED
 COMPANY INFORMATION. IT IS TO BE USED ONLY FOR THE PURPOSES
 SPECIFIED AND IS NOT TO BE DISCLOSED TO ANY OTHERS
 WITHOUT THE WRITTEN PERMISSION OF SAMSUNG.

PMIC PART

- MAIN/SUB MIC POWER
- EAR MIC IN
- MAIN MIC IN
- SUB MIC IN
- POWER ON
- EAR L/R OUT
- RCV OUT



BAT CON

16GB+16Gb LPDDR3

UME400

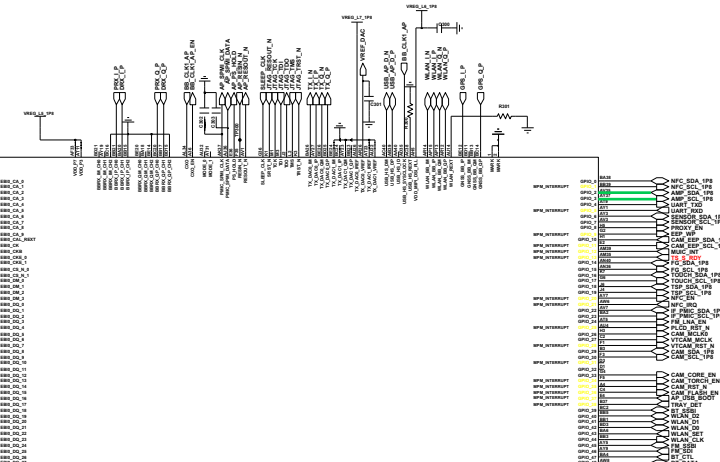
Engineer		
Checked by		
VSD DATE	TITLE	POWER
DOC CTRL CODE	B	
REVISED CODE		
DATE	Drawing Number	88

AP PART (MSM8916)

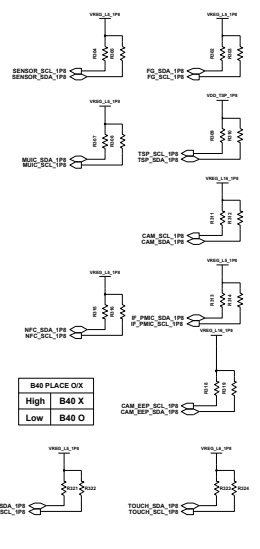
- TFLASH
- SIM2
- SIM1
- NXP IC I2C



tamiraat.com منبع مقاله

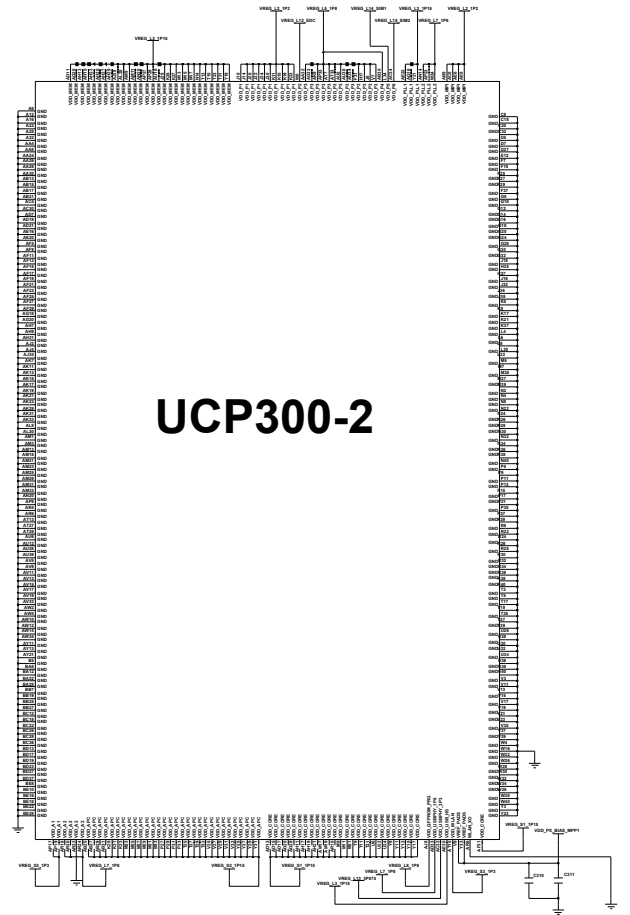


UCP300-1

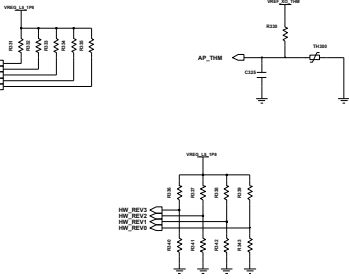


B40 PLACE DIX	
High	B40 X
Low	B40 0

DS: PU
 SS: PD

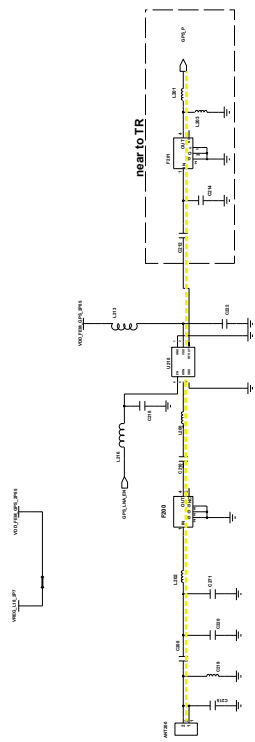


UCP300-2



Project Name	AP
Rev	B
Date	14/1/14
Author	...
Checked	...
Page	...

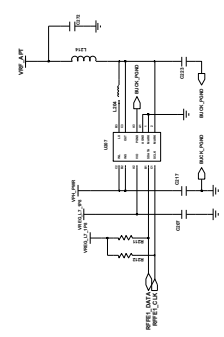
*CONNECTIVITY PART
 GPS
 BT/WIFI
 NFC



GPS / GNSS

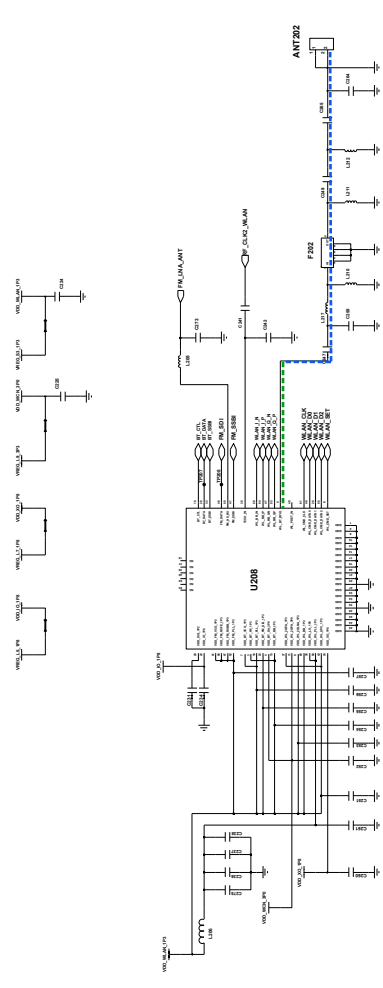


THERMISTER

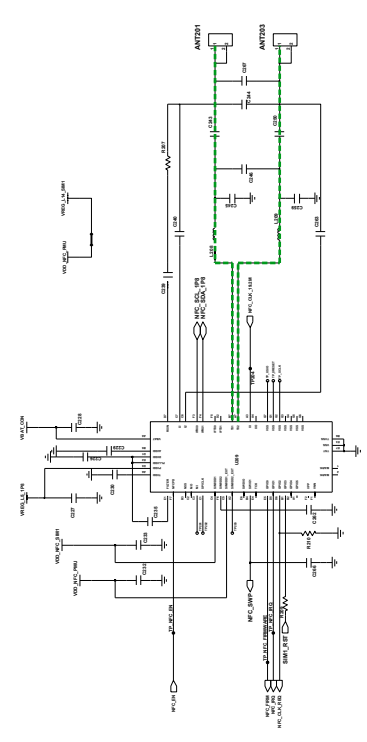


APT MODULATOR

RF Transceiver



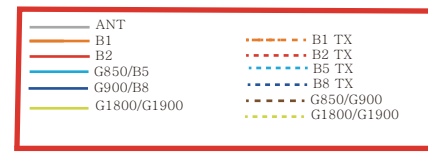
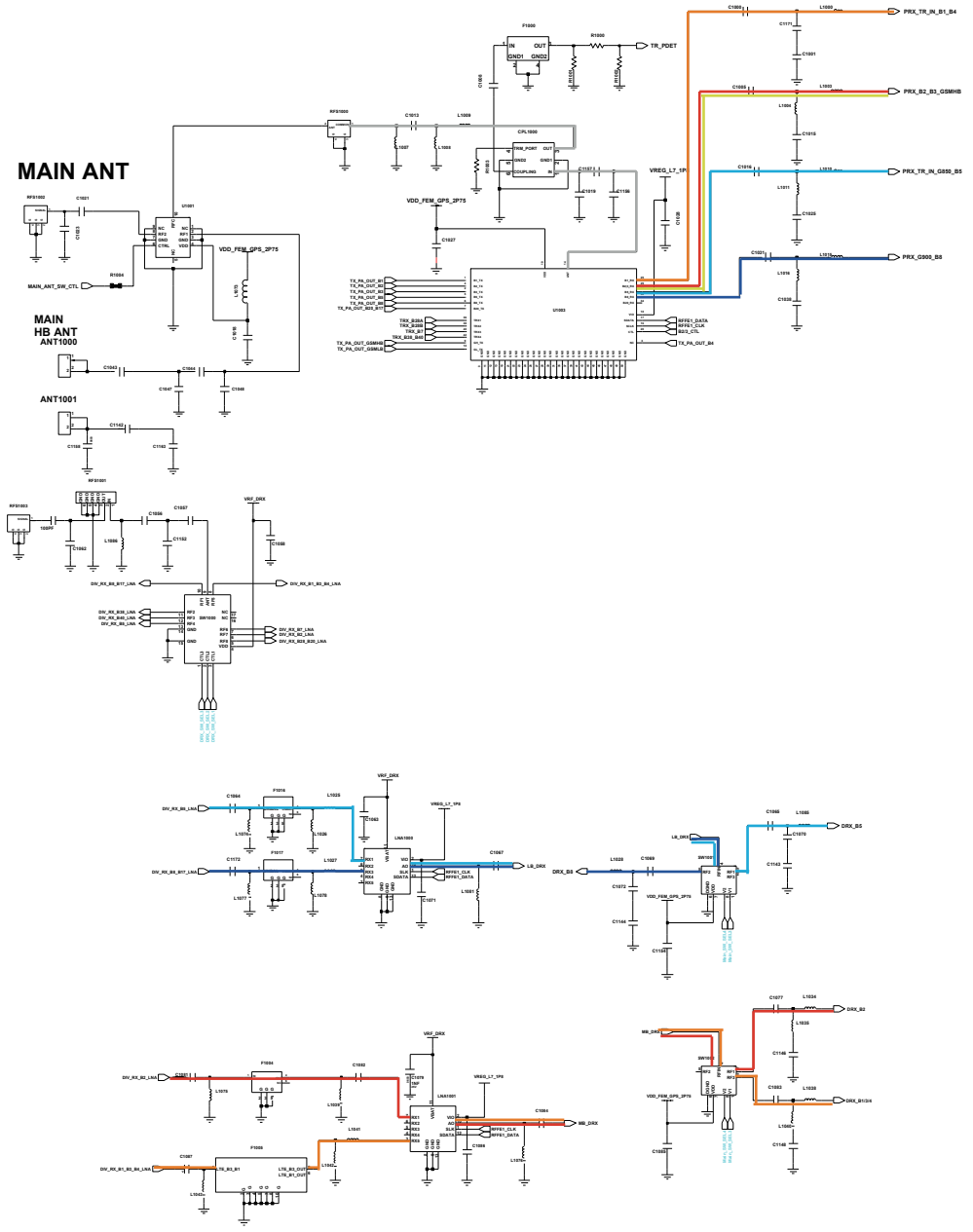
BT/WIFI ANT



NFC

SAMRANG CONFIDENTIAL
 THIS DOCUMENT CONTAINS CONFIDENTIAL
 PROPRIETARY INFORMATION THAT IS
 SAMRANG ELECTRONICS CO.'S PROPERTY.
 NO PART SHOULD BE DISCLOSED TO ANY OTHERS FOR ANY USES
 EXCEPT AS AUTHORIZED BY SAMRANG.

SERVICE SCHEMATICS



MMMB(GSM_QUAD/WLB1/WB2/WLB3/WLB5/WLB8/LB20)

