

SM-A520F_DS_REV0.4T

2016.11.30

sheet01 : GSM / WCDMA / LTE RF

sheet02 : TRANCEIVER, DRX

sheet03 : JOON(EXYNOS7880), eMMC

sheet04 : SENSORS, GPS, BT/WIFI, NFC, BTP, FM RADIO

sheet05 : PMIC(Main,IF), MST, KEY, MOTOR

sheet06 : Audio, SD/SIM, IF Conn'

sheet07 : CAMERA, DISPLAY, SHEILD CAN, TDMB

Project:	
Client:	
File Name:	Sheet
Doc Title:	
Doc Number:	
Doc Date:	
Doc Size:	
Doc Type:	
Doc Status:	
Doc Version:	
Doc Author:	
Doc Date:	
Doc Size:	
Doc Type:	
Doc Status:	
Doc Version:	
Doc Author:	

SAMSUNG CONFIDENTIAL
 THIS DOCUMENT CONTAINS CONFIDENTIAL
 PROPRIETARY INFORMATION THAT IS
 SAMSUNG ELECTRONICS CO. PROPERTY.
 DO NOT DISCLOSE TO ANY OTHERS
 EXCEPT AS AUTHORIZED BY SAMSUNG.

RF PART 2

HIGH BAND PA

FDD LTE: B7
 TDD LTE: B38 / 40 / 41

MMMB PA

2G: EGSM / DCS / PCS / GSM850
 3G: B1 / 2 / 4 / 5 / 8
 FDD LTE: B1 / 2 / 3 / 4 / 5 / 8 / 17 / 20 / 28

SUB ANT2 (LB)

SUB ANT1 (MB/HB)

SUB ANT2 XGND

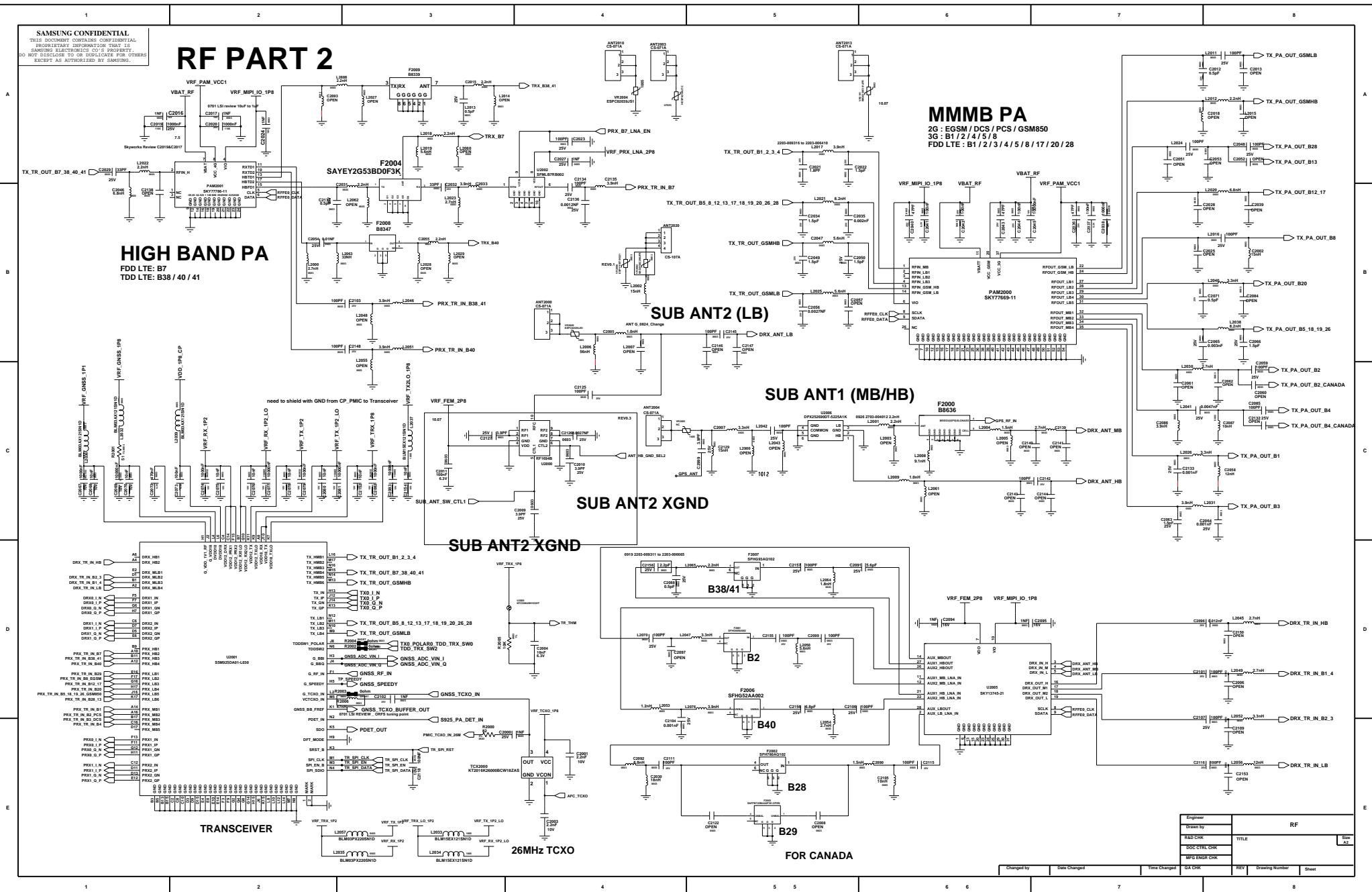
SUB ANT2 XGND

TRANSCIVER

26MHz TCXO

FOR CANADA

Engineer	RF
Drawn by	
RAD CHK	TITLE
DOC CTRL CHK	
MFG ENGR CHK	
Changed by	Date Changed
QA CRK	Time Changed
REV	Drawing Number
Sheet	

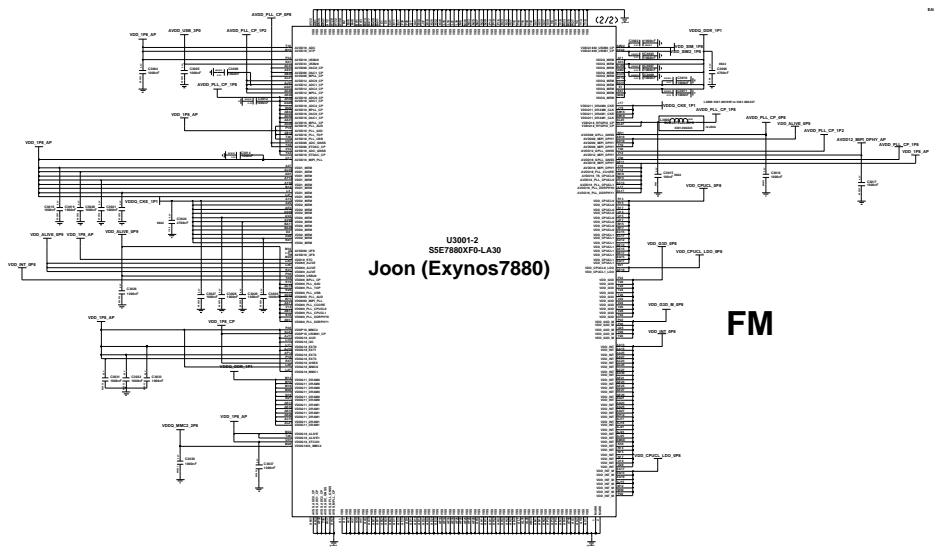


EXYNOS7880(JOON)

POP LP4 3G : 1st Micron
2nd SEC

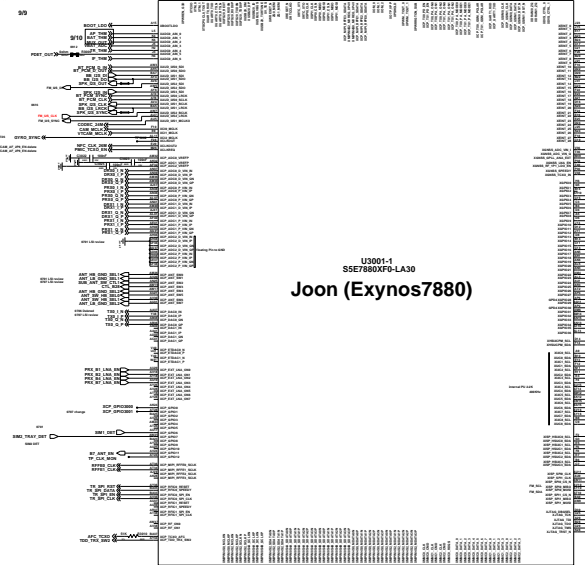
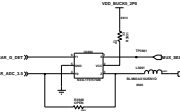


tamirat.com منبع مقاله



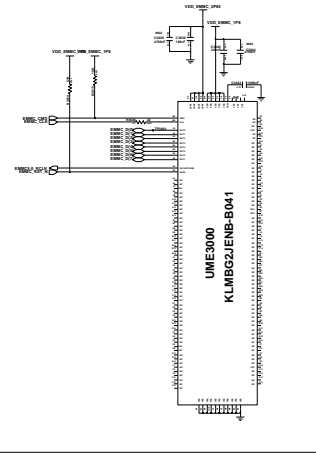
FM

Salt Water detect MUX

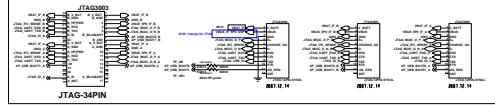


Joon (Exynos7880)

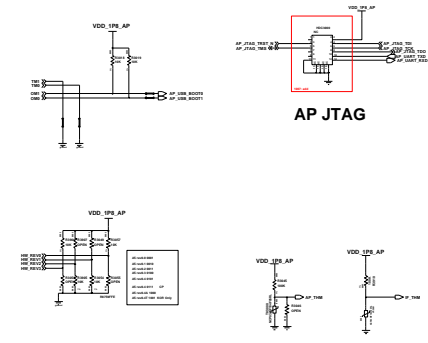
eMMC 32GB 5.1
1st : SEC
2nd : TOSHIBA



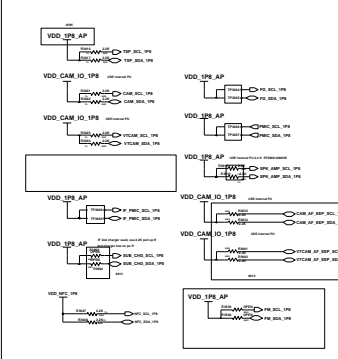
PCB JTAG



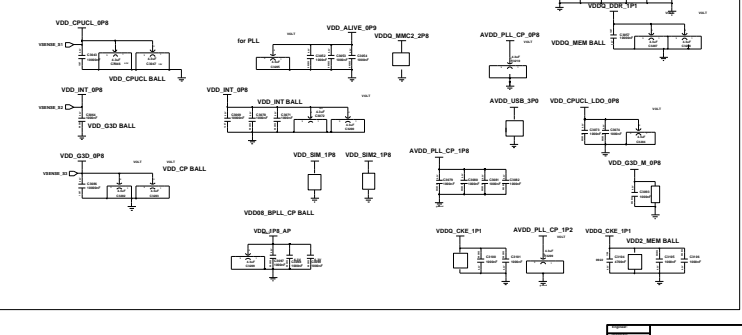
AP JTAG



I2C Pull-up Register

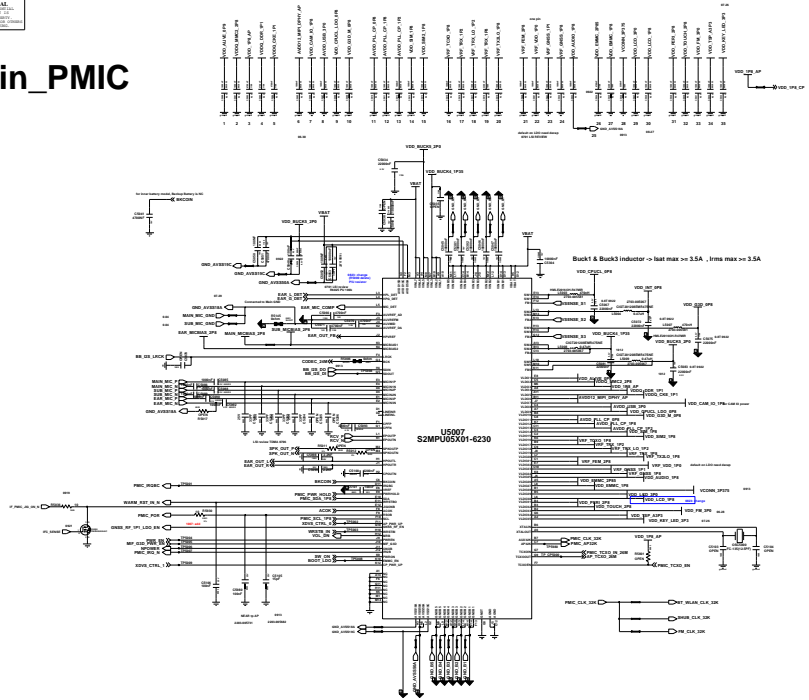


AP Decap



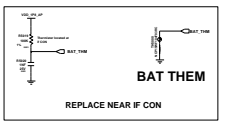
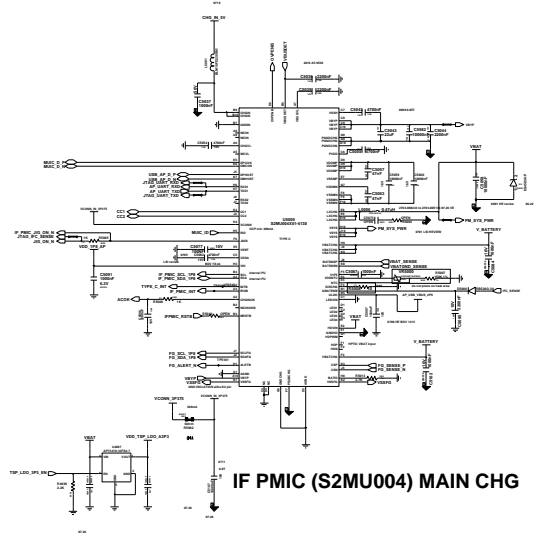
SAMSUNG CONFIDENTIAL

Main_PMIC

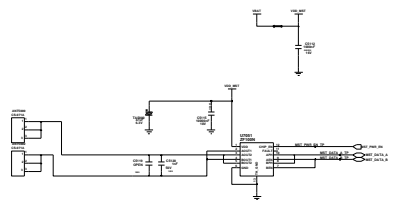


IF_PMIC

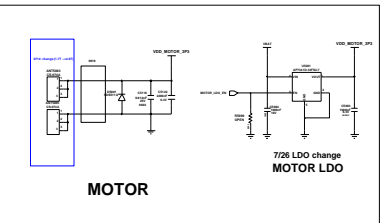
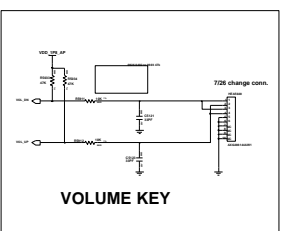
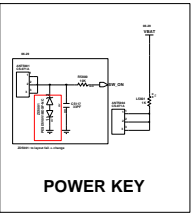
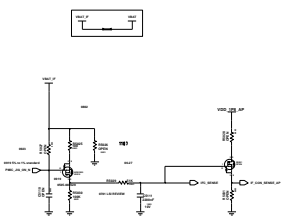
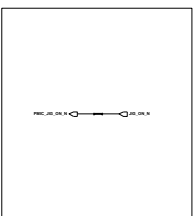
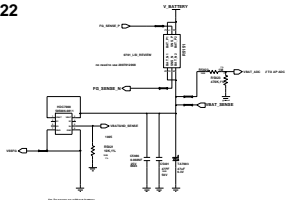
COMTECH
computer technology
tamiraat.com منبع مقاله



MST



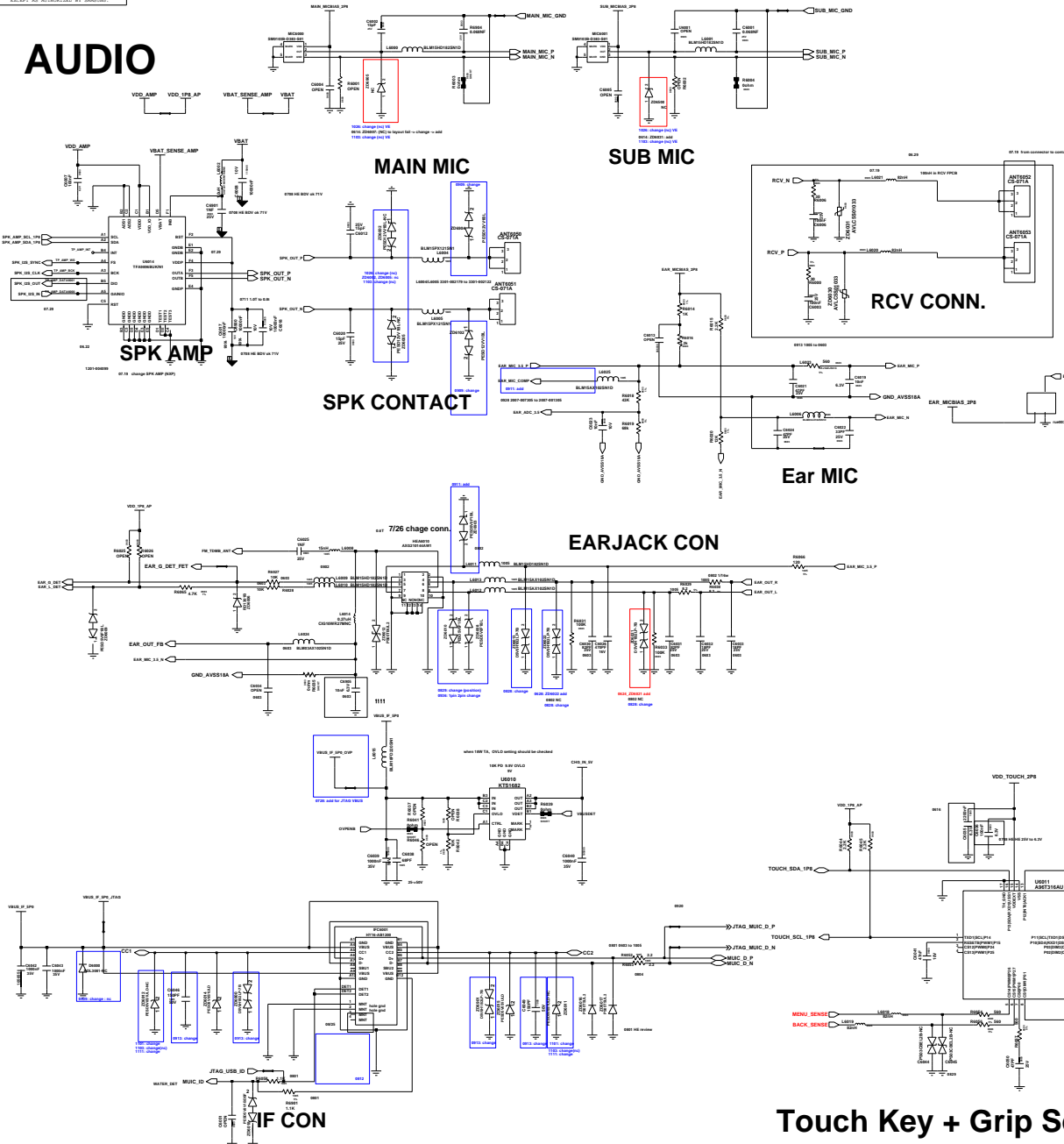
09.22



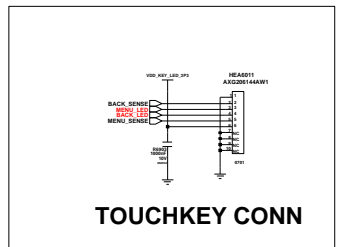
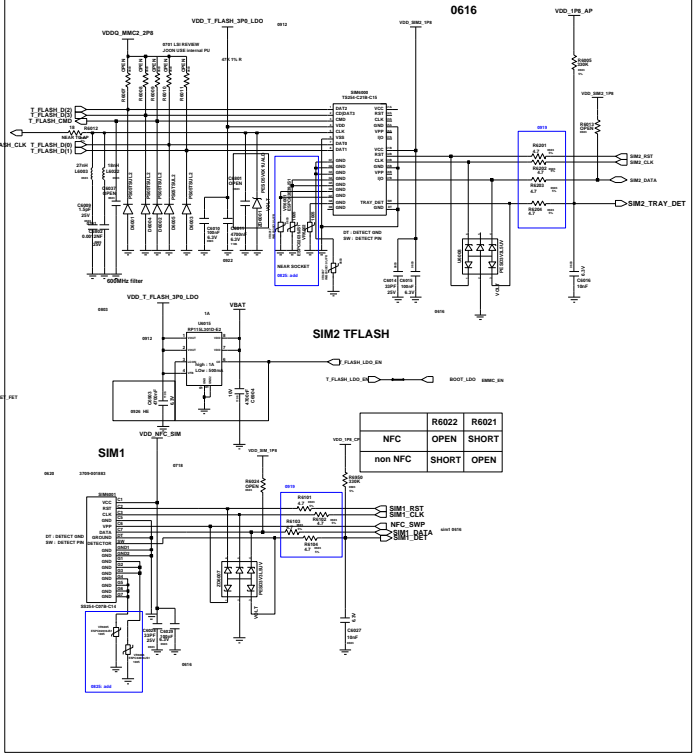
REV	1
DATE	20161212
DESCRIPTION	APR0928 PMIC, W, LDO
DESIGNED BY	
CHECKED BY	
APPROVED BY	

SAMSUNG CONFIDENTIAL
 THIS DOCUMENT CONTAINS SAMSUNG
 PROPRIETARY INFORMATION THAT IS
 UNLAWFULLY DISCLOSED TO A RECIPIENT
 WHO IS NOT A DESIGNATED RECIPIENT
 EXCEPT AS AUTHORIZED BY SAMSUNG.

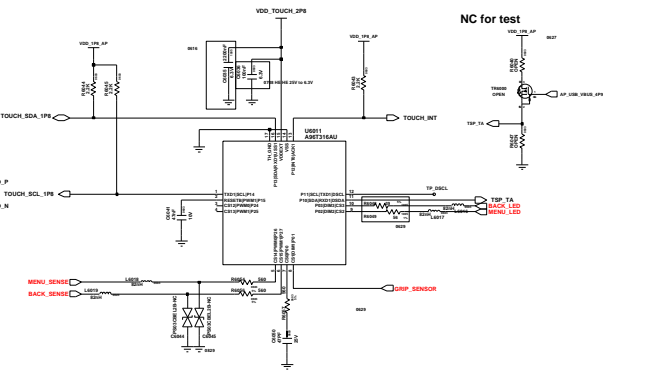
AUDIO



SIM & SD



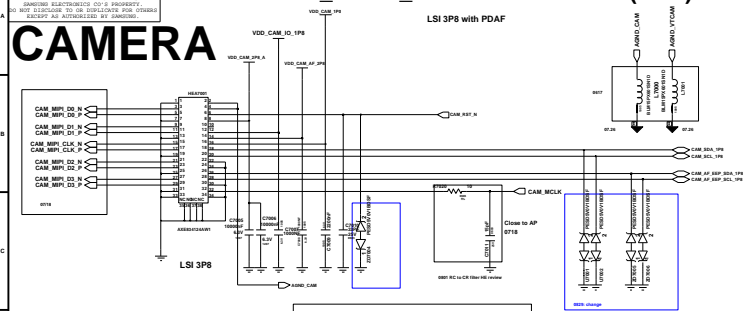
Touch Key + Grip Sensor



Component	Value	Notes
RESISTOR		
CAPACITOR		
INDUCTOR		
DIODE		
TRANSISTOR		
IC		
OTHER		

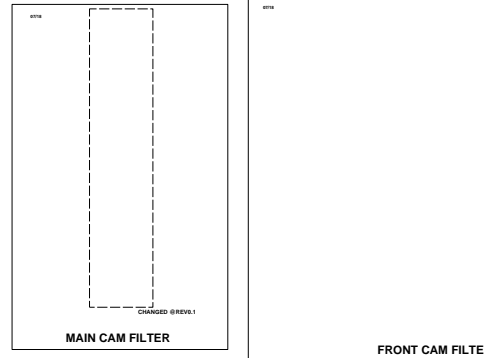
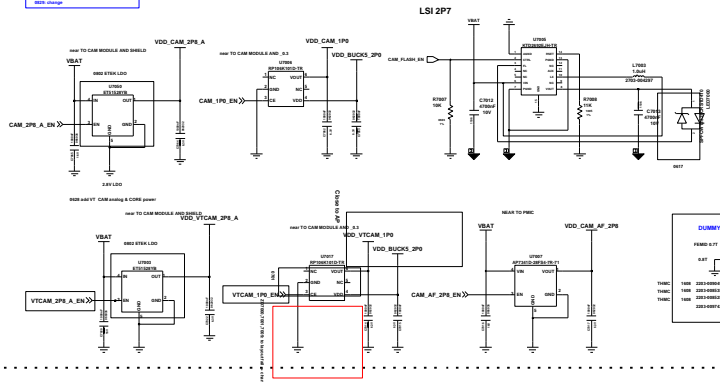
SAMSUNG CONFIDENTIAL
THIS DOCUMENT CONTAINS SAMSUNG'S PROPRIETARY INFORMATION AND IS NOT TO BE REPRODUCED OR TRANSMITTED IN ANY FORM OR BY ANY MEANS, ELECTRONIC OR MECHANICAL, WITHOUT PERMISSION IN WRITING FROM SAMSUNG ELECTRONICS CO., LTD. ALL RIGHTS ARE RESERVED. NO WARRANTY IS MADE BY SAMSUNG FOR THIS DOCUMENT EXCEPT AS AUTHORIZED BY SAMSUNG.

16M_REAR_Camera Connector (MIPI)

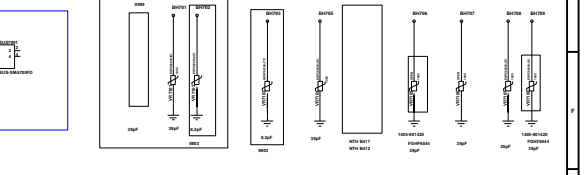


CAMERA

Front_CAMERA (16M FF)

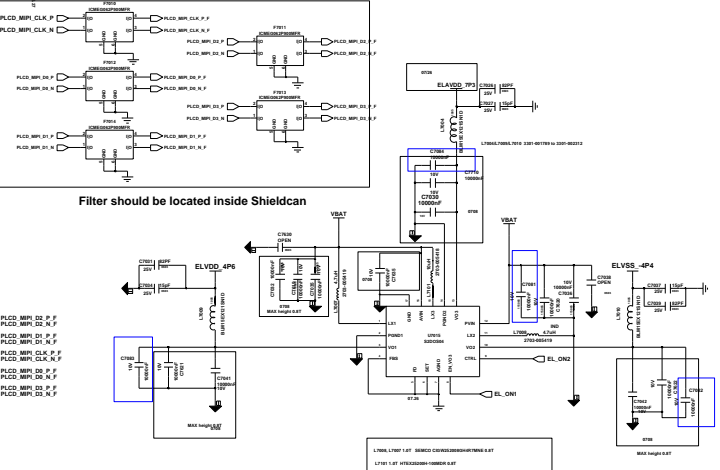
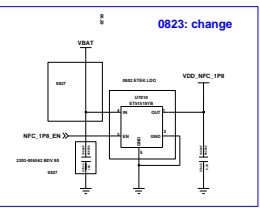
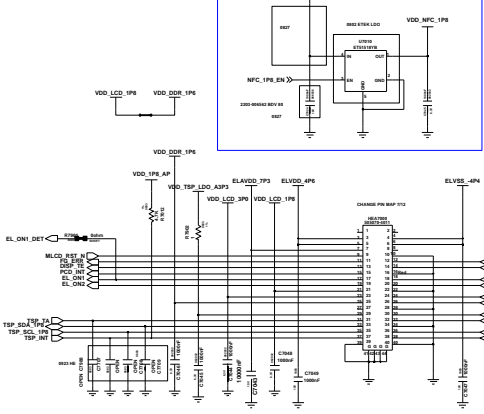


SHIELD CAN/BOTH HOLE



E G M L A	CIS	E
	SEA	E
	SWA	E
	MEA	G
	EUR OPEN	M
		EG
	NEWZEALAND	EGML
	3G	EGM
	Taiwan	GM
	LA, LAX	EL
LA, UB	ML	
KT	LA	
SKT	A	
LGT	L	

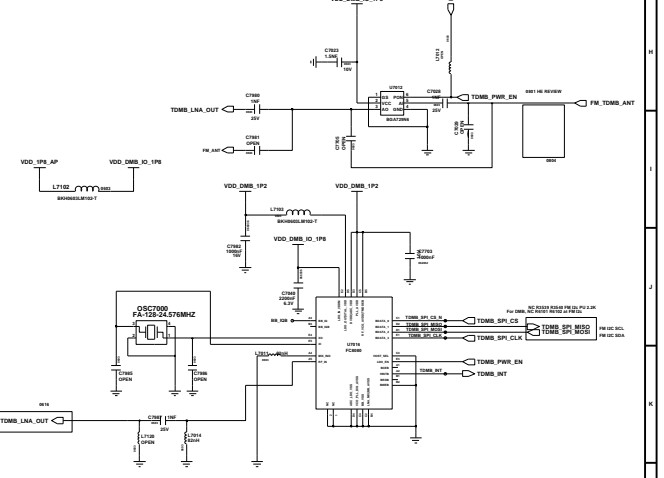
DISPLAY



OCTA CONNECTOR

HD OCTA DC-DC

TDMB_for KOR



Designed by	CAMERA, DISPLAY, MHL
Checked by	
Ver. No.	
Doc. No.	
Rev. No.	
Issue Date	
Issue Reason	

