

BB SCHEMATIC

1. Contents
2. PM8029 POWER Circuit
3. PM8029 Analog/CFG/CLOCK and RF Interface
4. MSM8225 Power Filter
5. MSM8225 Analog Circuit and RF interface
6. NA
7. MSM8225 MCP interface & GND
8. MSM8225 GPIO Data UI and Other Interface
9. USB/Charge management/Battery/Vibrator
10. Main Camera and Slave Camera
11. 3.5 Headphone port
12. Sensor/Status indicator
13. LCD interface /LCD backlight driver
14. SIM/TF card
15. Audio/MIC
16. Keypad/Touch
17. Test Points/JTAG/Shields
18. eMMC+LPDDR1 MCP Circuit
19. Power Map

RF SCHEMATIC

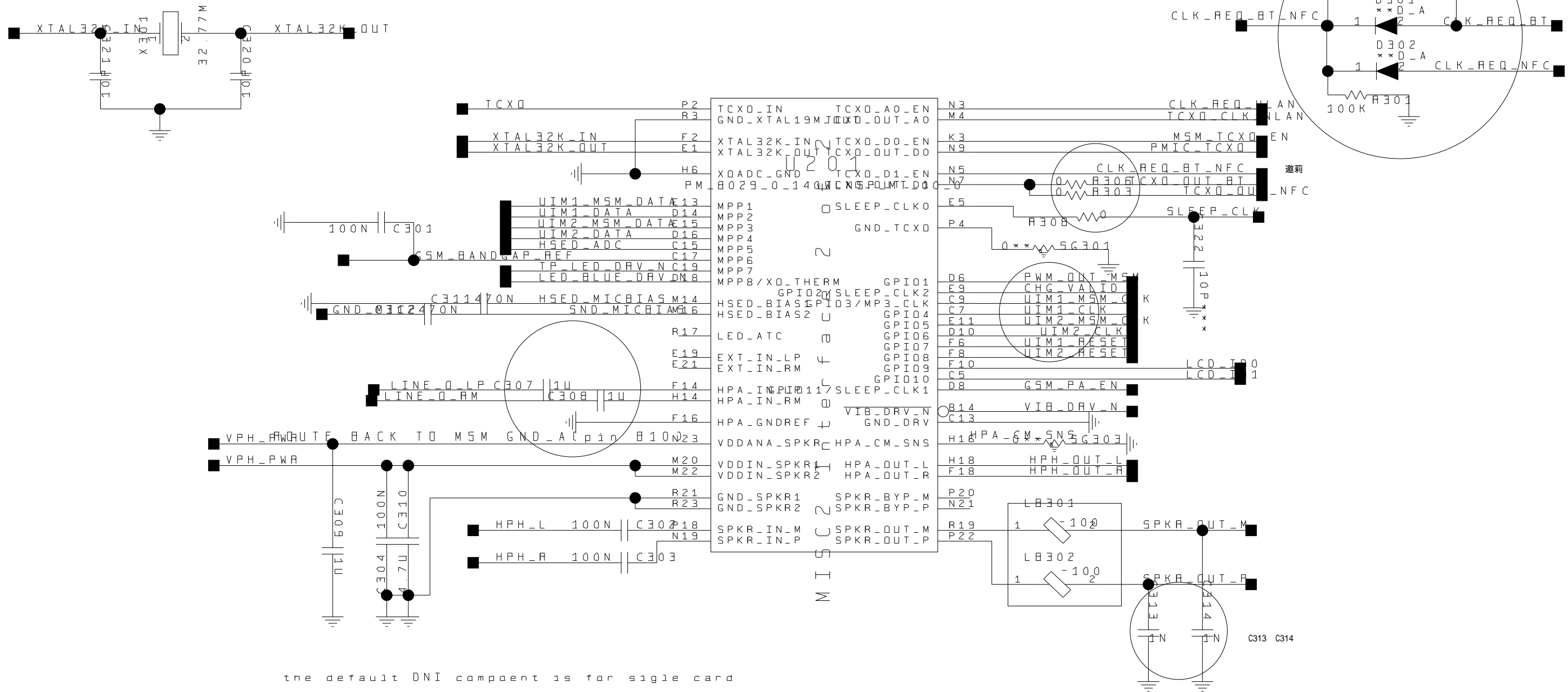
20. RF Input Output Ports
21. 19.2MHz VCTCXO
22. Antenna Switchplexer
23. WCDMA IMT Power Amplifier
24. WCDMA CELL Power Amplifier
25. GSM Quad-band_PA
26. RX MATCHING CIRCUIT
27. UMTS IMT RX INTERSTAGE
28. RTR6285A CIRCUIT
29. RTR6285A POWER DISTRIBUTION
30. reserved
31. GPS
32. WCDMA PCS Power Amplifier
33. UMTS RX DIVERSITY
34. NFC
35. BT FM WCN2243
36. AR6005 BB
37. AR6005 RF

The type and specification of the components refer

				NA	2012-10-25
				ECA NO	DATE
DESIGNER	WDXAINKUN	00188440			
		HD1U8833M			6721020_SCH6
REVIEWER	WEDHUI	68182			
		VER PART NUMBER			SHEET OF 38
		C	03021WY		HUAWEI TECH CO.,LTD.



3. PM8029 Analog / CFG / CLOCK and RF Interf



the default DNI compaent is for single card
 for dual card R309 should be in BQM, R308 R310 DNI

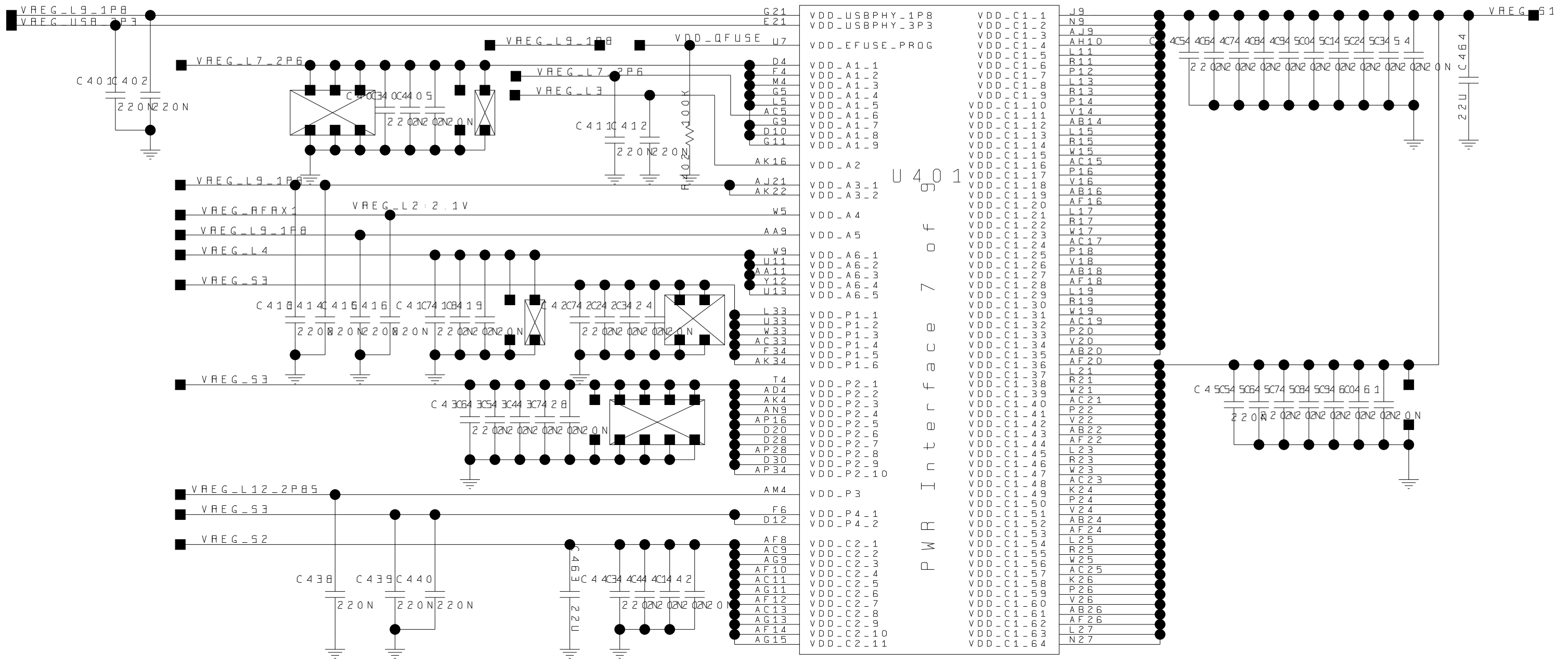
The type and specification of the components refer

DESIGN	HEWXAIKUN	00188440	NA	2012-10-25
REVIEW	EDHUI	68182	ECA NO	DATE
		HD1U8833M		6721020_SCH6Z
		VER PART_NUMBER		SHEET OF 38
		C 03021WY		HUAWEI TECH CO.,LTD.



منبع مقاله

4 . M S M 8 2 2 5 P o w e r F i l t e r

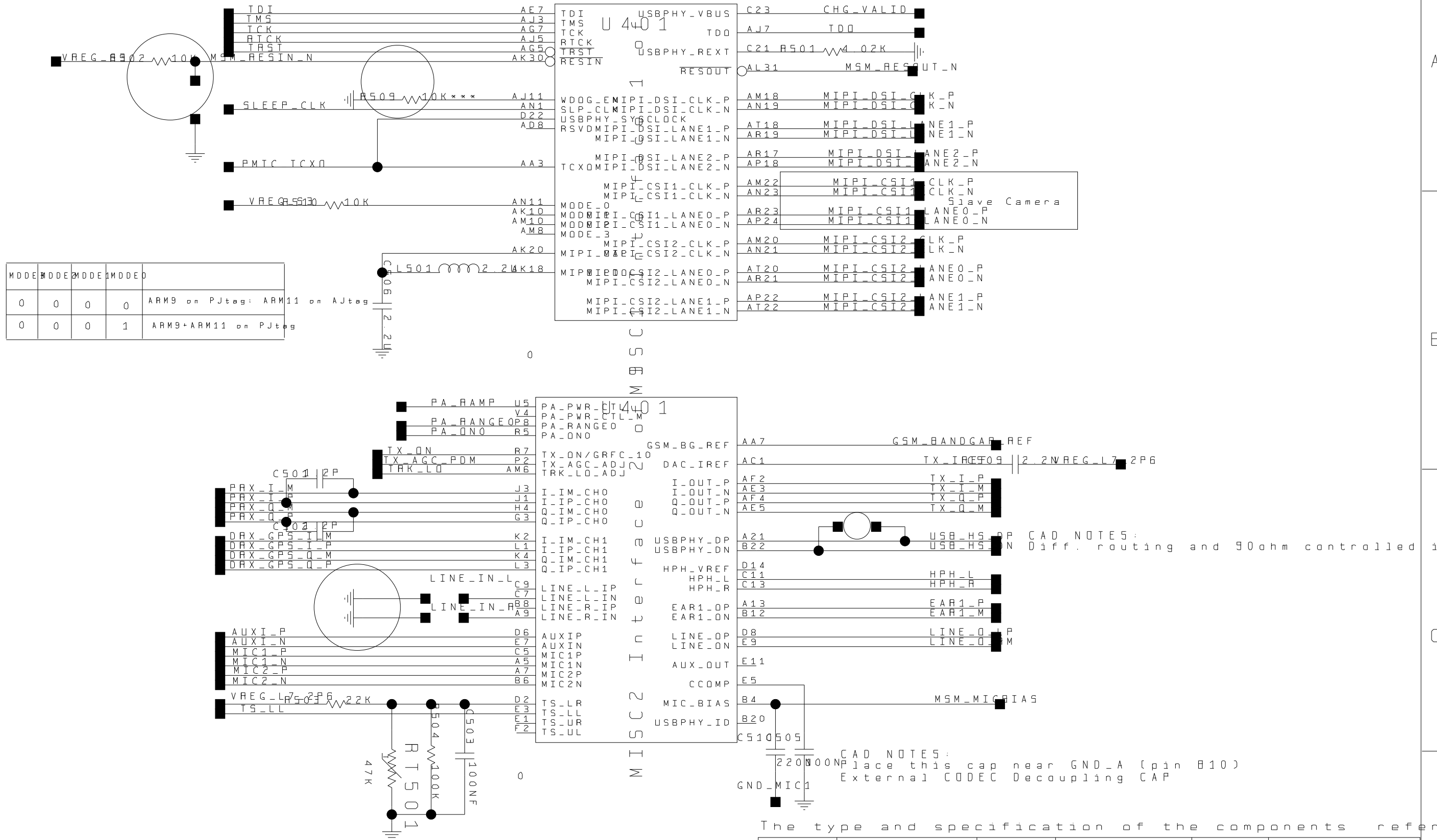


The type and specification of the components refer

				NA	2012-10-25
				ECA NO	DATE
DESIGN	HEWXAIKUN	00188440			
		HD1U8833M			6721020_SCH6Z
REVIEW	EDHUI	68182			
		VERPART_NUMBER		SHEET	OF 38
		C	03021WY	HUAWEI TECH CO.,LTD.	



5. MSM8225 Analog Circuit and RF interface



The type and specification of the components refer

DESIGNER	WDXAINKUN	00188440	NA	2012-10-25
REVIEWER	WEDHUI	68182	ECA NO	DATE
		HD1U8833M		6721020_5CH6Z
		VERPART_NUMBER		SHEETS OF 38
		C	03021WY	HUAWEI TECH CO.,LTD.

6 . N A

The type and specification of the components refer

				NA	2012-10-25
				ECA NO	DATE
DESIGNER	DXAINKUN	00188440			
		HD1U8833M		6721020	_SCH6
REVIEWER	EDHUI	68182			
		VERPART_NUMBER		SHEET	OF 38
		C	03021WY		
					HUAWEI TECH CO.,LTD.



A

B

C

D

1

2

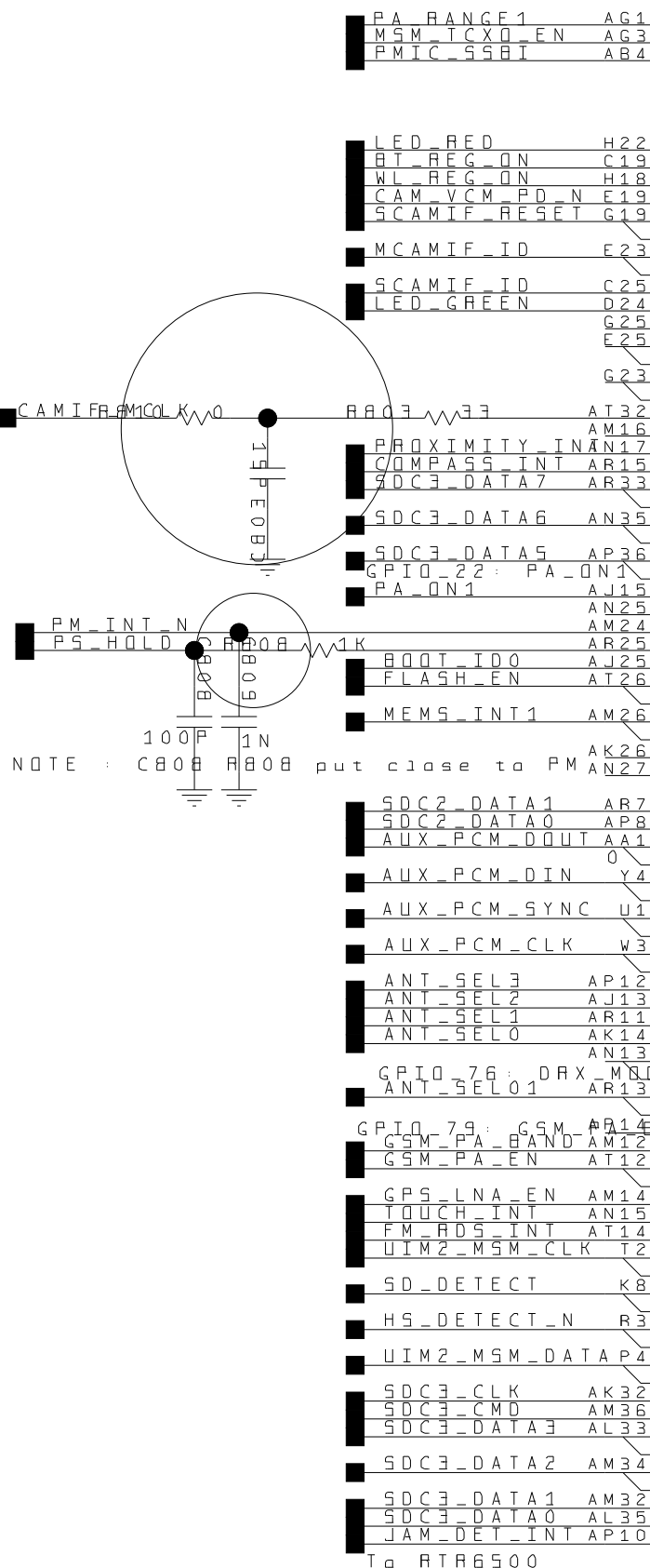
3

4

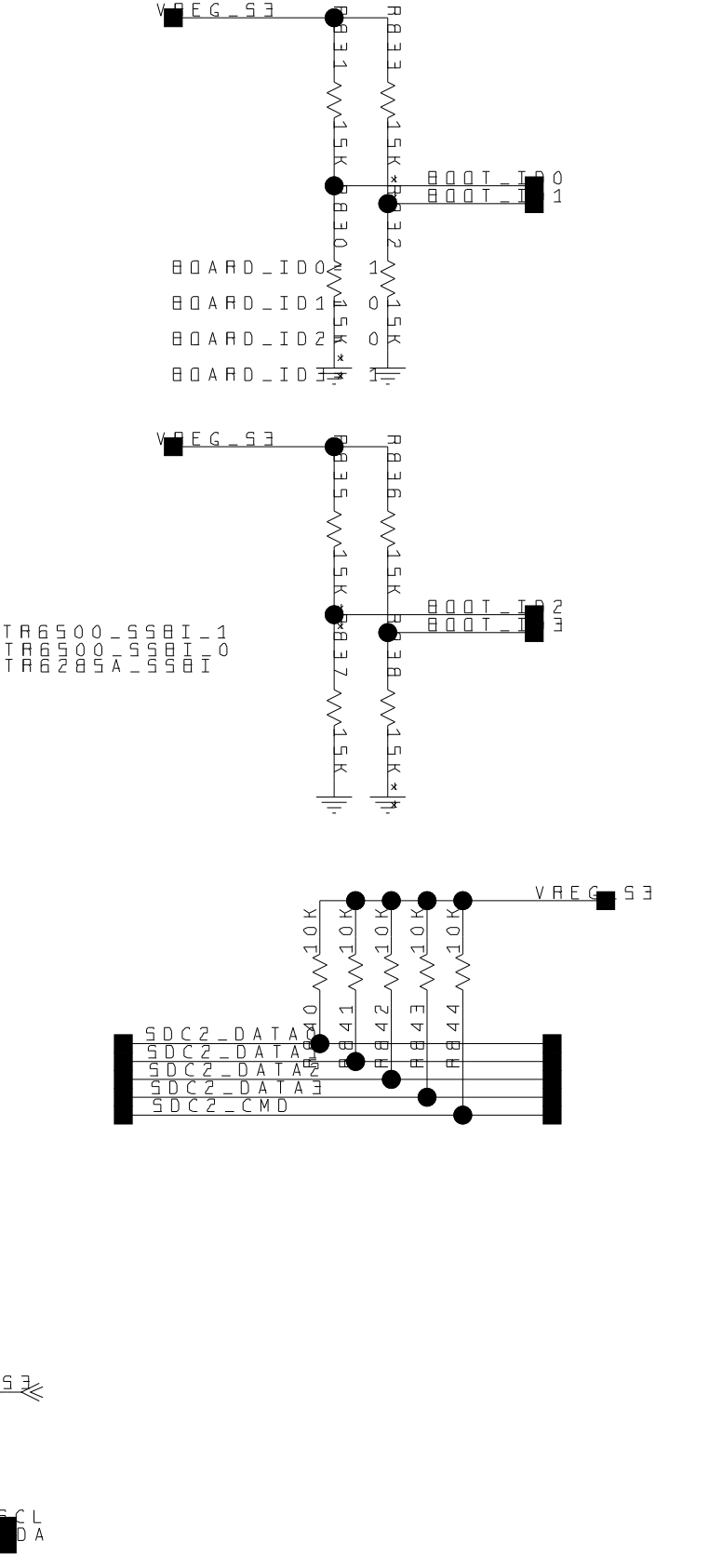
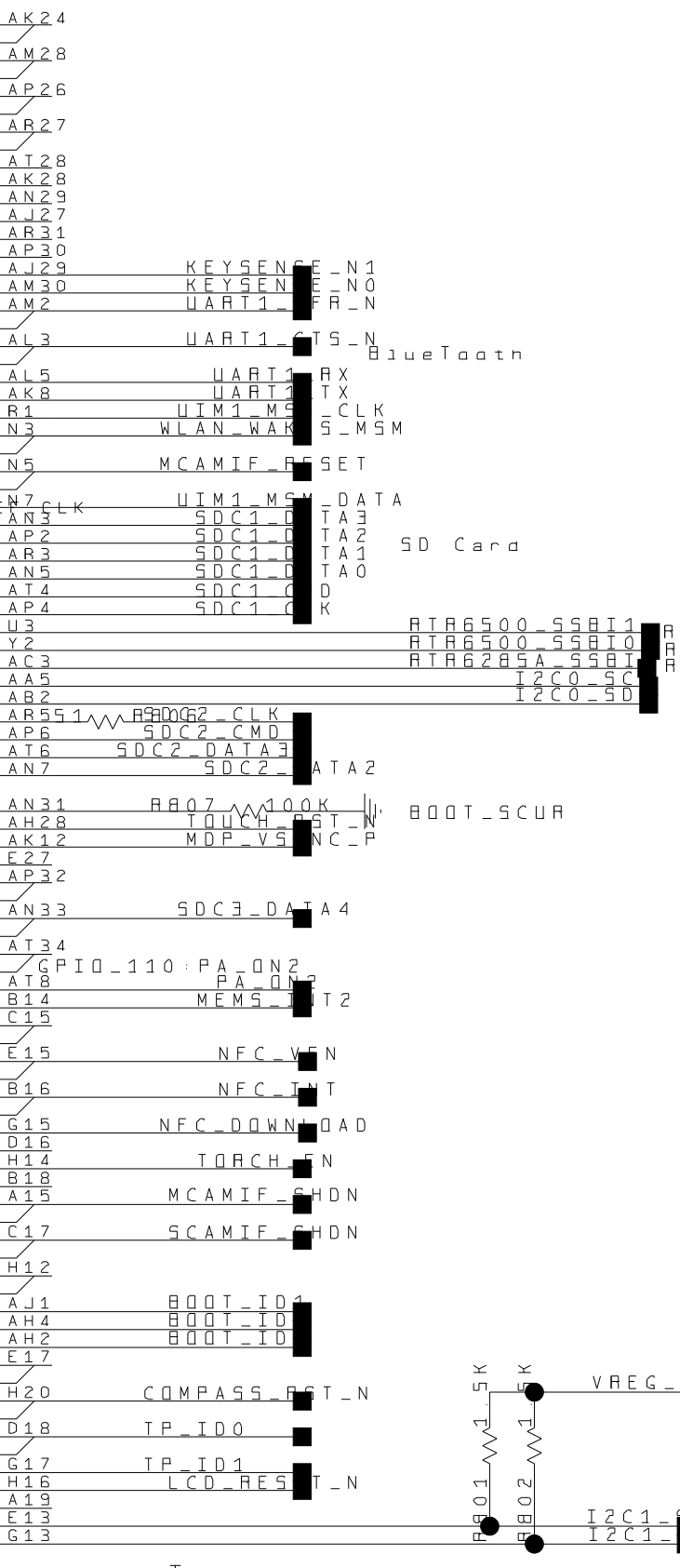
5

6

MSM8225 GPIO Data UI and Other Interface



Pin	Signal	Function
AG1	PA_RANGE1	AG1
AG3	MSM_TCXO_EN	AG3
AB4	PMIC_SSB1	AB4
H22	LED_RED	H22
C19	BT_REG_ON	C19
H18	WL_REG_ON	H18
E19	CAM_VCM_PD_N	E19
G19	SCAMIF_RESET	G19
E23	MCAMIF_ID	E23
C25	SCAMIF_ID	C25
D24	LED_GREEN	D24
G25	LED_GREEN	G25
E25	LED_GREEN	E25
G23	LED_GREEN	G23
AT32	CAMIF_MCLK	AT32
AM16	PROXIMITY_INAN17	AM16
AR15	COMPASS_INT	AR15
AR33	SDC3_DATA7	AR33
AN35	SDC3_DATA6	AN35
AP36	SDC3_DATA5	AP36
PA_ON1	GPIO_22: PA_ON1	PA_ON1
AN25	PA_ON1	AN25
AM24	PM_INT_N	AM24
AR25	PS_HOLD	AR25
AJ25	BOOT_ID0	AJ25
AT26	FLASH_EN	AT26
AM26	MEMS_INT1	AM26
AK26	MEMS_INT1	AK26
AN27	MEMS_INT1	AN27
AR7	SDC2_DATA1	AR7
AP8	SDC2_DATA0	AP8
AA1	AUX_PCM_DOUT	AA1
Y4	AUX_PCM_DIN	Y4
U1	AUX_PCM_SYNC	U1
W3	AUX_PCM_CLK	W3
AP12	ANT_SEL3	AP12
AJ13	ANT_SEL2	AJ13
AR11	ANT_SEL1	AR11
AK14	ANT_SEL0	AK14
AN13	ANT_SEL0	AN13
AR13	ANT_SEL0	AR13
AR14	GPIO_76: DRX_MODE	AR14
AM12	GSM_PA_BAND	AM12
AT12	GSM_PA_EN	AT12
AM14	GPS_LNA_EN	AM14
AN15	TOUCH_INT	AN15
AT14	FM_RDS_INT	AT14
T2	UIM2_MSM_CLK	T2
K8	SD_DETECT	K8
R3	HS_DETECT_N	R3
P4	UIM2_MSM_DATA	P4
AK32	SDC3_CLK	AK32
AM36	SDC3_CMD	AM36
AL33	SDC3_DATA3	AL33
AM34	SDC3_DATA2	AM34
AM32	SDC3_DATA1	AM32
AL35	SDC3_DATA0	AL35
AP10	JAM_DET_INT	AP10
GPIO_0	PA_RANGE1	GPIO_0
GPIO_1	TCXO_EN	GPIO_1
GPIO_2	SSBI	GPIO_2
GPIO_3	KEYPAD_11	GPIO_3
GPIO_4	KEYPAD_10	GPIO_4
GPIO_5	KEYPAD_9	GPIO_5
GPIO_6	KEYPAD_8	GPIO_6
GPIO_7	KEYPAD_7	GPIO_7
GPIO_8	KEYPAD_6	GPIO_8
GPIO_9	KEYPAD_5	GPIO_9
GPIO_10	KEYPAD_4	GPIO_10
GPIO_11	KEYPAD_3	GPIO_11
GPIO_12	KEYPAD_2	GPIO_12
GPIO_13	KEYPAD_1	GPIO_13
GPIO_14	KEYPAD_0	GPIO_14
GPIO_15	UART1_RFR_N	GPIO_15
GPIO_16	UART1_RFR_N	GPIO_16
GPIO_17	UART1_RFR_N	GPIO_17
GPIO_18	UART1_RFR_N	GPIO_18
GPIO_19	UART1_RFR_N	GPIO_19
GPIO_20	UART1_RFR_N	GPIO_20
GPIO_21	UART1_RFR_N	GPIO_21
GPIO_22	UART1_RFR_N	GPIO_22
GPIO_23	UART1_RFR_N	GPIO_23
GPIO_24	UART1_RFR_N	GPIO_24
GPIO_25	UART1_RFR_N	GPIO_25
GPIO_26	UART1_RFR_N	GPIO_26
GPIO_27	UART1_RFR_N	GPIO_27
GPIO_28	UART1_RFR_N	GPIO_28
GPIO_29	UART1_RFR_N	GPIO_29
GPIO_30	UART1_RFR_N	GPIO_30
GPIO_31	KEYPAD_11	GPIO_31
GPIO_32	KEYPAD_10	GPIO_32
GPIO_33	KEYPAD_9	GPIO_33
GPIO_34	KEYPAD_8	GPIO_34
GPIO_35	KEYPAD_7	GPIO_35
GPIO_36	KEYPAD_6	GPIO_36
GPIO_37	KEYPAD_5	GPIO_37
GPIO_38	KEYPAD_4	GPIO_38
GPIO_39	KEYPAD_3	GPIO_39
GPIO_40	KEYPAD_2	GPIO_40
GPIO_41	KEYPAD_1	GPIO_41
GPIO_42	KEYPAD_0	GPIO_42
GPIO_43	UART1_RFR_N	GPIO_43
GPIO_44	UART1_RFR_N	GPIO_44
GPIO_45	UART1_RFR_N	GPIO_45
GPIO_46	UART1_RFR_N	GPIO_46
GPIO_47	UART1_RFR_N	GPIO_47
GPIO_48	UART1_RFR_N	GPIO_48
GPIO_49	UART1_RFR_N	GPIO_49
GPIO_50	UART1_RFR_N	GPIO_50
GPIO_51	SDC1_DATA3	GPIO_51
GPIO_52	SDC1_DATA2	GPIO_52
GPIO_53	SDC1_DATA1	GPIO_53
GPIO_54	SDC1_DATA0	GPIO_54
GPIO_55	SDC1_CMD	GPIO_55
GPIO_56	SDC1_CLK	GPIO_56
GPIO_57	SSBI_0	GPIO_57
GPIO_58	SSBI_1	GPIO_58
GPIO_59	SSBI_2	GPIO_59
GPIO_60	I2C_SCL	GPIO_60
GPIO_61	I2C_SDA	GPIO_61
GPIO_62	SDC2_CLK	GPIO_62
GPIO_63	SDC2_CMD	GPIO_63
GPIO_64	SDC2_DATA3	GPIO_64
GPIO_65	SDC2_DATA2	GPIO_65
GPIO_66	SDC2_DATA1	GPIO_66
GPIO_67	SDC2_DATA0	GPIO_67
GPIO_68	SDAC_DOUT	GPIO_68
GPIO_69	SDAC_MCLK	GPIO_69
GPIO_70	SDAC_L_RN	GPIO_70
GPIO_71	SDAC_CLK	GPIO_71
GPIO_72	GRFC_11	GPIO_72
GPIO_73	GRFC_9	GPIO_73
GPIO_74	GRFC_8	GPIO_74
GPIO_75	GRFC_7	GPIO_75
GPIO_76	GRFC_5	GPIO_76
GPIO_77	GRFC_4	GPIO_77
GPIO_78	GRFC_3	GPIO_78
GPIO_79	GRFC_2	GPIO_79
GPIO_80	GRFC_1	GPIO_80
GPIO_81	GRFC_0	GPIO_81
GPIO_82	MDP_VSYNC_S	GPIO_82
GPIO_83	PA_ON1	GPIO_83
GPIO_84	UART3_RFR_N	GPIO_84
GPIO_85	UART3_CTS_N	GPIO_85
GPIO_86	UART3_RX	GPIO_86
GPIO_87	UART3_TX	GPIO_87
GPIO_88	SDC3_CLK	GPIO_88
GPIO_89	SDC3_CMD	GPIO_89
GPIO_90	SDC3_DATA3	GPIO_90
GPIO_91	SDC3_DATA2	GPIO_91
GPIO_92	SDC3_DATA1	GPIO_92
GPIO_93	SDC3_DATA0	GPIO_93
GPIO_94	AUX_I2C_SDA	GPIO_94
GPIO_95	BOOT_SCUR	GPIO_95
GPIO_96	GP_PDM0	GPIO_96
GPIO_97	MDP_VSYNC_P	GPIO_97
GPIO_98	EBI2_CS2	GPIO_98
GPIO_99	EBI2_CS1	GPIO_99
GPIO_100	EBI2_CS0	GPIO_100
GPIO_101	EBI2_CS0	GPIO_101
GPIO_102	EBI2_CS0	GPIO_102
GPIO_103	EBI2_CS0	GPIO_103
GPIO_104	EBI2_CS0	GPIO_104
GPIO_105	EBI2_CS0	GPIO_105
GPIO_106	EBI2_CS0	GPIO_106
GPIO_107	SDC4_CMD	GPIO_107
GPIO_108	AUX_RTCK	GPIO_108
GPIO_109	SDC4_CLK	GPIO_109
GPIO_110	PA_ON2	GPIO_110
GPIO_111	UART3_TX	GPIO_111
GPIO_112	EBI2_CS5	GPIO_112
GPIO_113	EBI2_CS4	GPIO_113
GPIO_114	EBI2_CS3	GPIO_114
GPIO_115	EBI2_CS2	GPIO_115
GPIO_116	EBI2_CS1	GPIO_116
GPIO_117	EBI2_CS0	GPIO_117
GPIO_118	EBI2_CS0	GPIO_118
GPIO_119	EBI2_ADR5	GPIO_119
GPIO_120	EBI2_ADR4	GPIO_120
GPIO_121	EBI2_ADR3	GPIO_121
GPIO_122	USB_FS_DATA	GPIO_122
GPIO_123	USB_FS_TX	GPIO_123
GPIO_124	USB_FS_EN	GPIO_124
GPIO_125	EBI2_ADR2	GPIO_125
GPIO_126	EBI2_ADR1	GPIO_126
GPIO_127	EBI2_ADR0	GPIO_127
GPIO_128	LCDC_HSYNC	GPIO_128
GPIO_129	LCDC_DEN	GPIO_129
GPIO_130	LCDC_GREEN	GPIO_130
GPIO_131	AUX_I2C_SCL	GPIO_131
GPIO_132	AUX_I2C_SDA	GPIO_132



The type and specification of the components refer

DESIGNER	WDXAINKUN	00188440	NA	2012-10-25
REVIEWER	EDHUI	68182	ECA NO	DATE
VER PART NUMBER	C	03021WY	6721020_SCH6	Z
			SHEET OF 38	
			HUAWEI TECH CO.,LTD.	

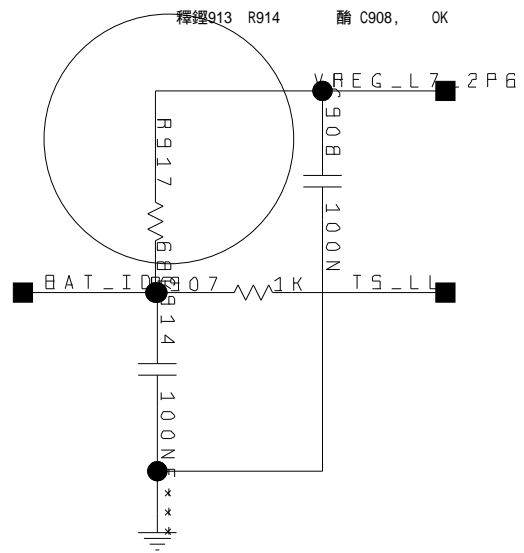
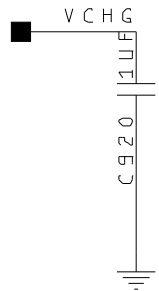


MISC6 INT

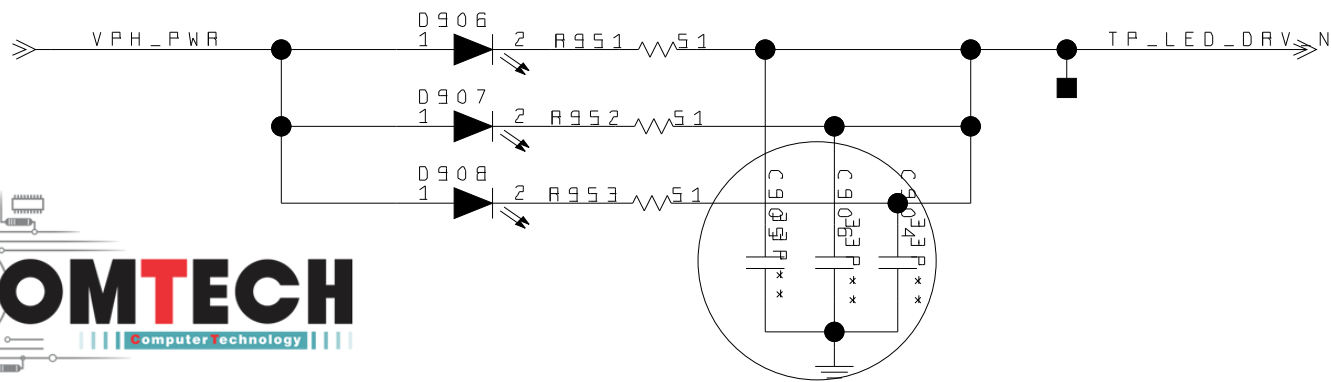
9. USB/Charge management/Battery/Vibrator

Charge management

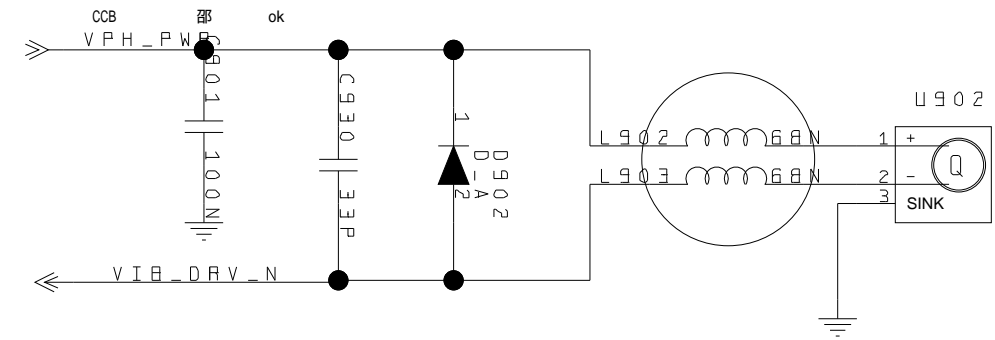
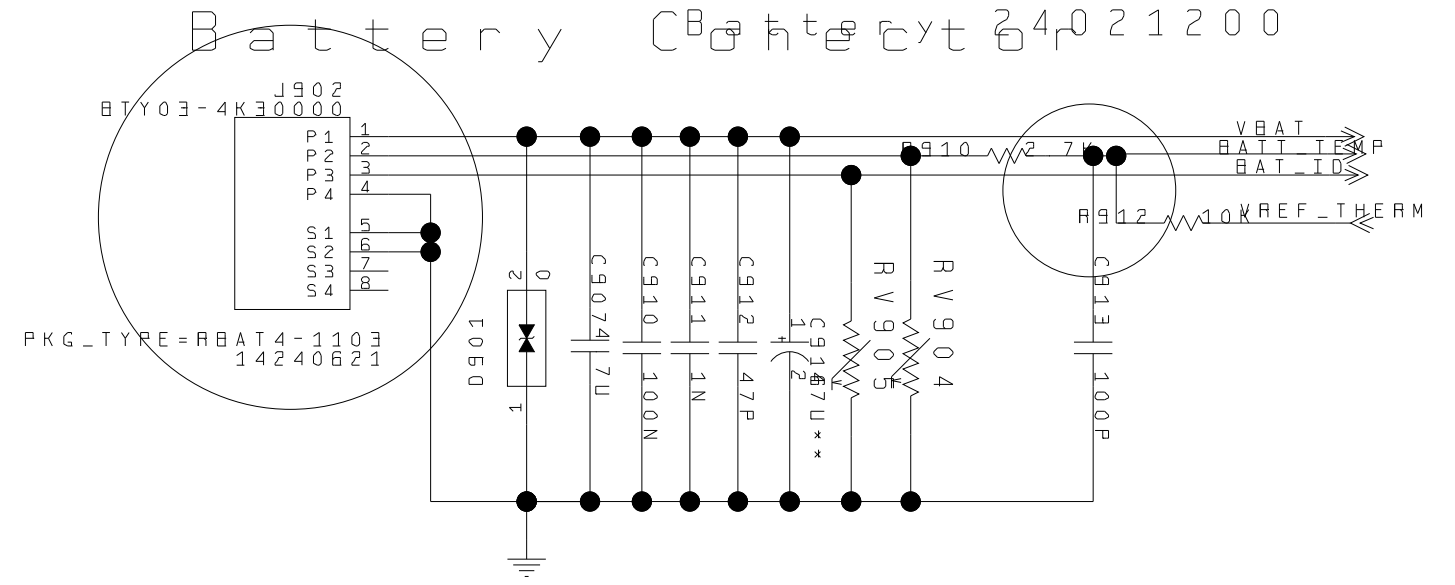
I2C can be 1.8 or 2.6V, address 01101011



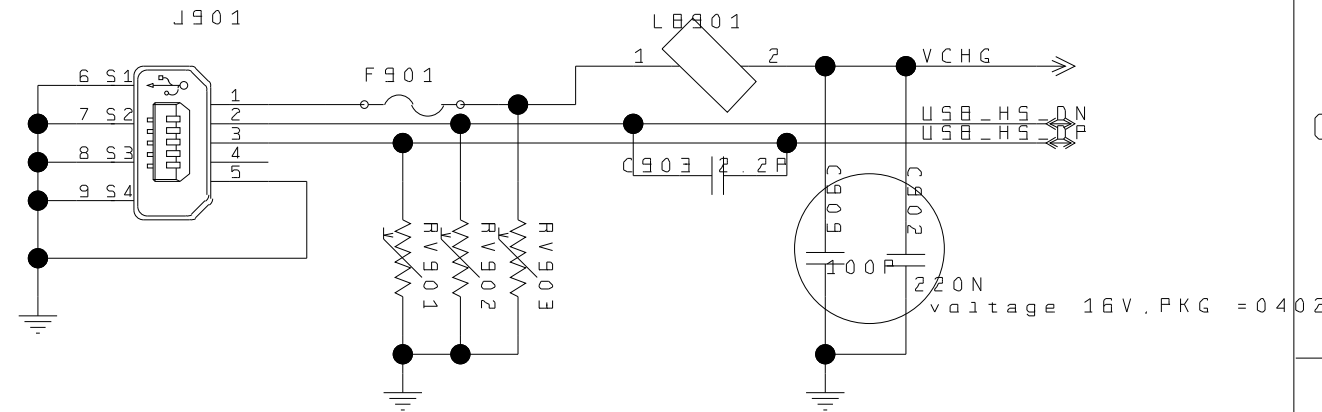
TP LED



ADD D908 R903/6.20



USB Connector



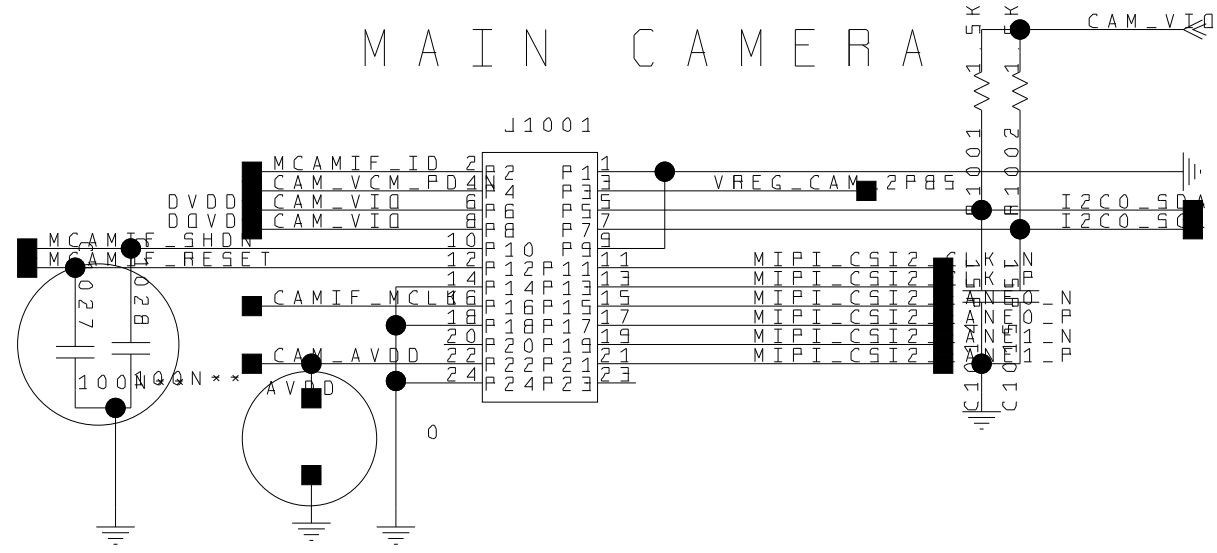
The type and specification of the components refer

DESIGNER	WDXAINKUN	00188440	NA	2012-10-25
REVIEWER	DHUI	68182	ECA NO	DATE
		HD1U8833M		6721020_5CH6Z
		VERPART_NUMBER		SHEET OF 38
		C	03021WY	HUAWEI TECH CO.,LTD.

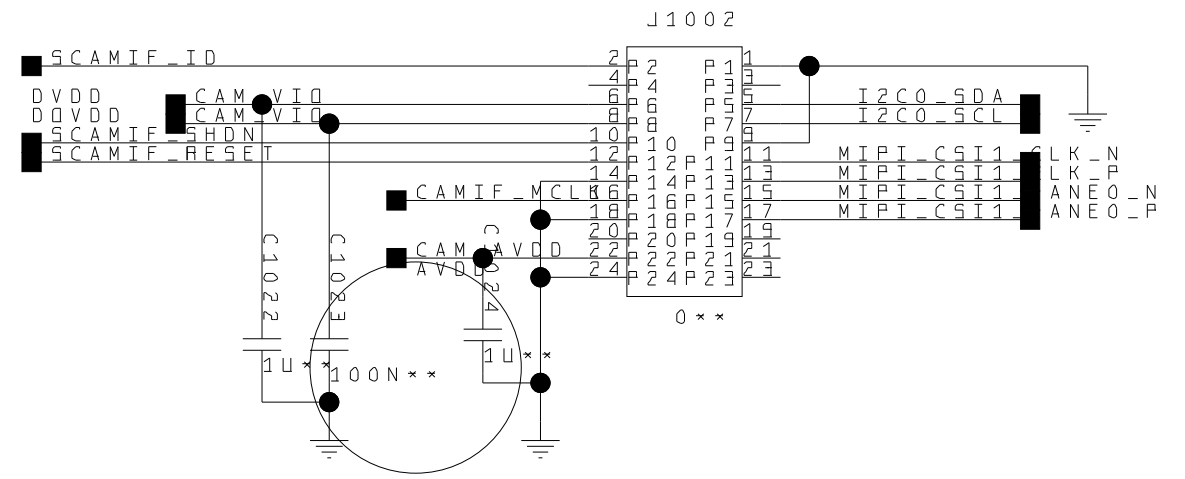


10. Main Camera and Slave Camera

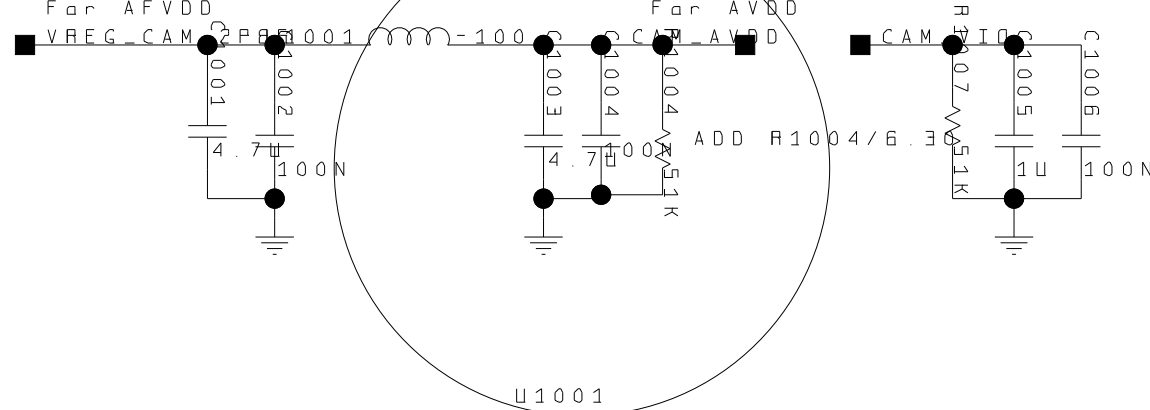
MAIN CAMERA



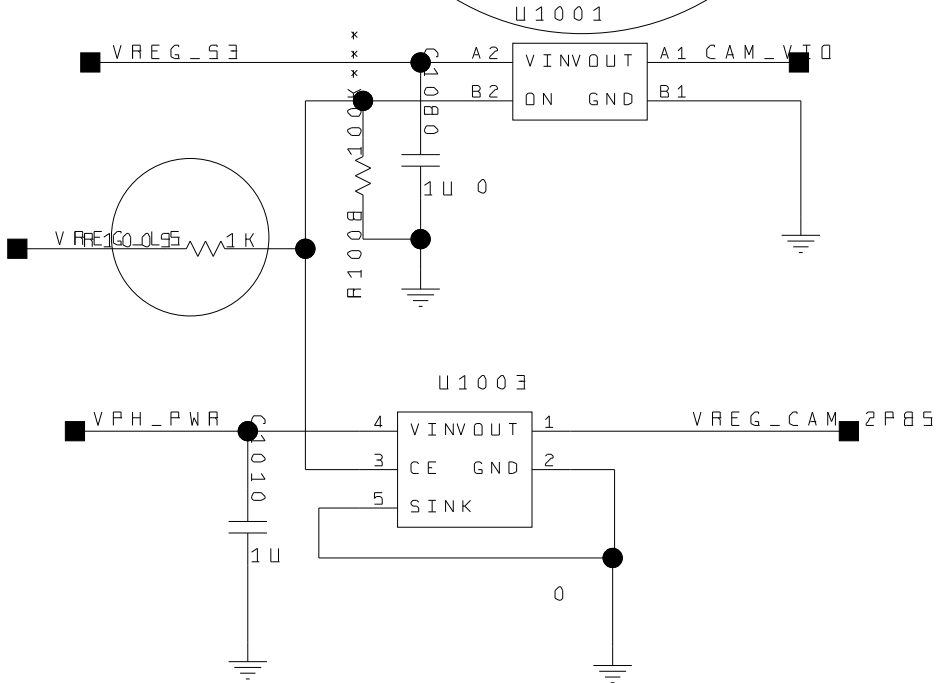
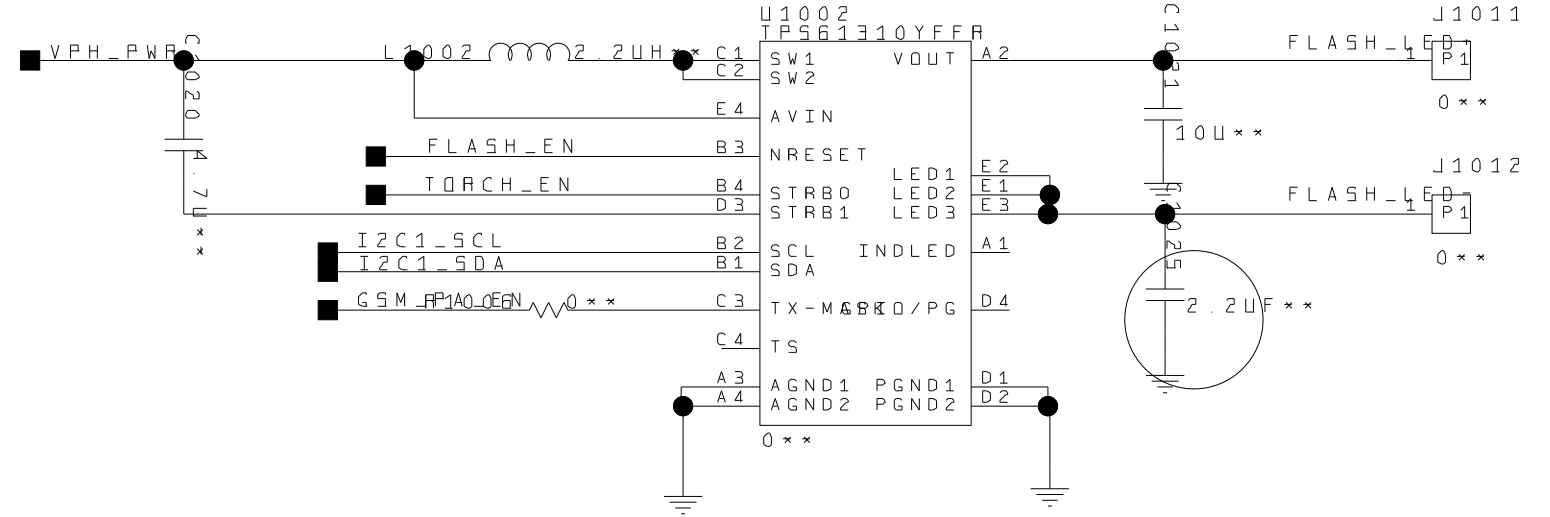
SLAVE CAMERA



POWER CLOSE TO MAIN CAMERA



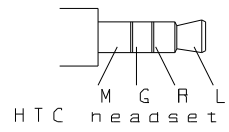
CAMERA FLASH



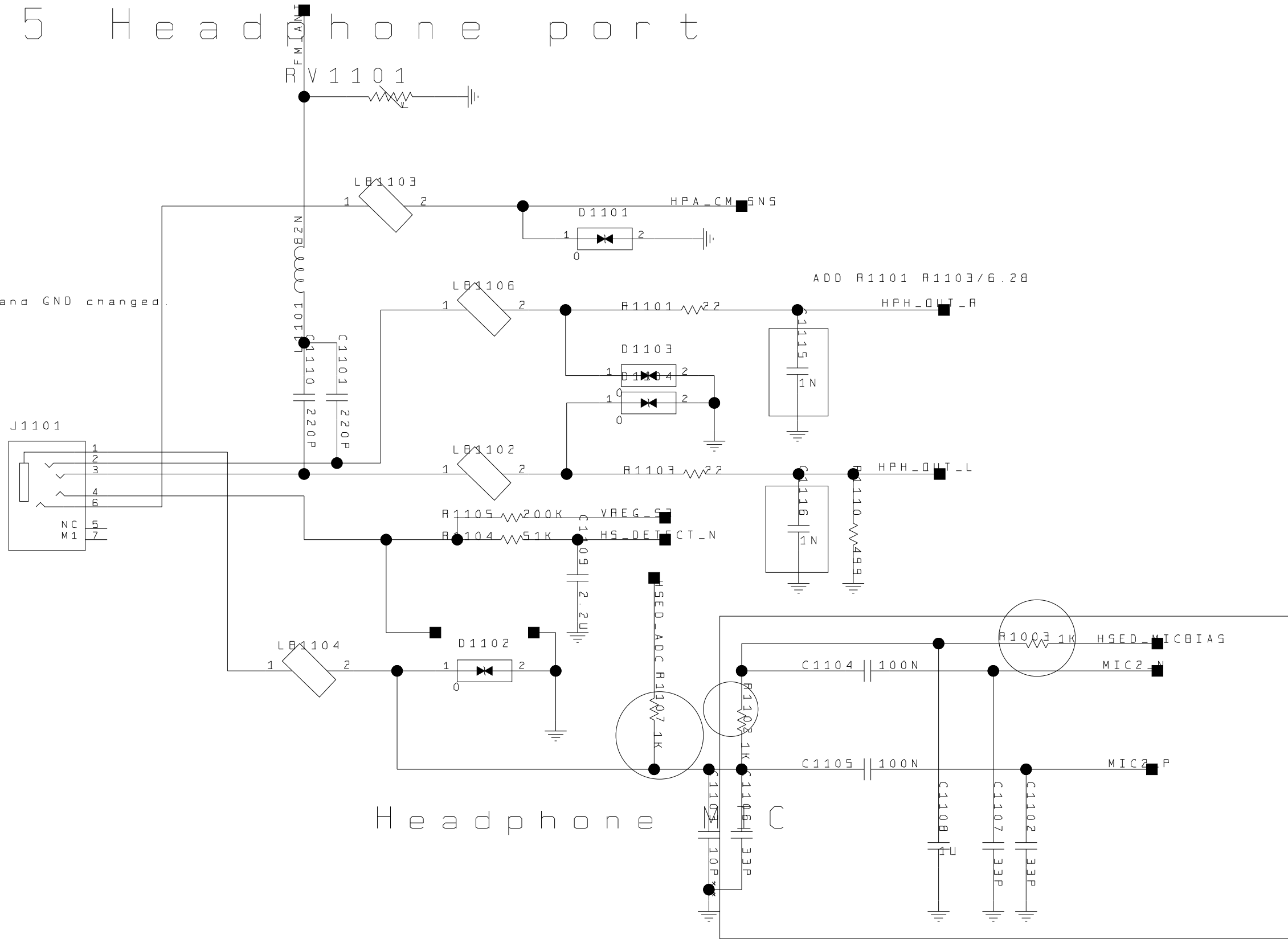
The type and specification of the components refer

			NA	2012-10-25
			ECA NO	DATE
DESIGNER	WDXAINKUN	00188440		
REVIEWER	WDXAINKUN	68182		
		VERPART_NUMBER		SHEET 10 OF 38
		C	03021WY	HUAWEI TECH CO.,LTD.

11.3.5 Headphone port



HTC headset: MIC and GND changed.



Headphone

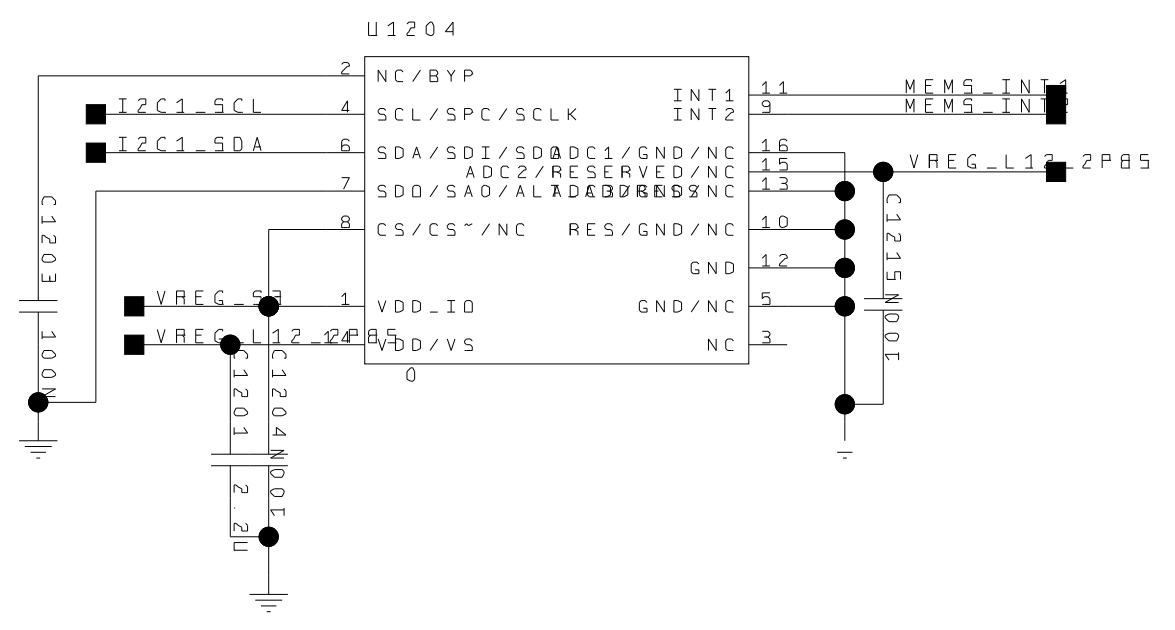
CLOSE to MSM7X27A

The type and specification of the components refer

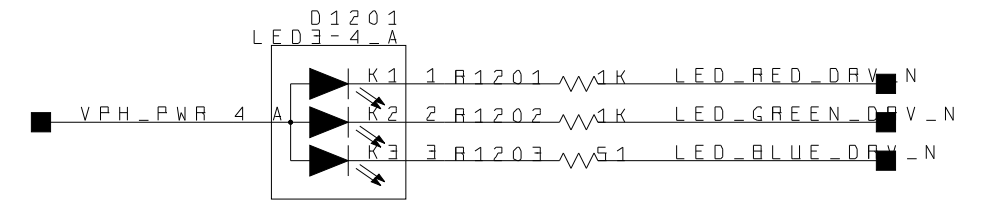
				NA	2012-10-25
				ECA NO	DATE
DESIGNER	EDX AINKUN	00188440			
			HD1U8833M		6721020_SCH6
REVIEWER	EDHUI 68182				
			VER PART_NUMBER		SHEET 1 OF 38
			C	03021WY	HUAWEI TECH CO.,LTD.

12. Sensor / Status indicator

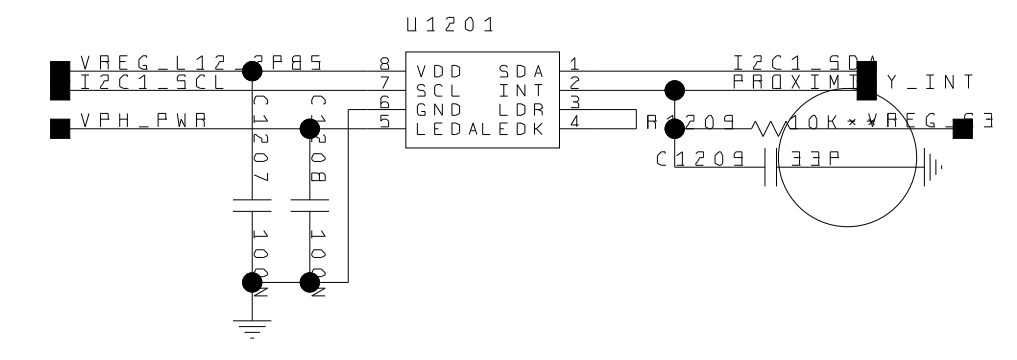
Accelerometer



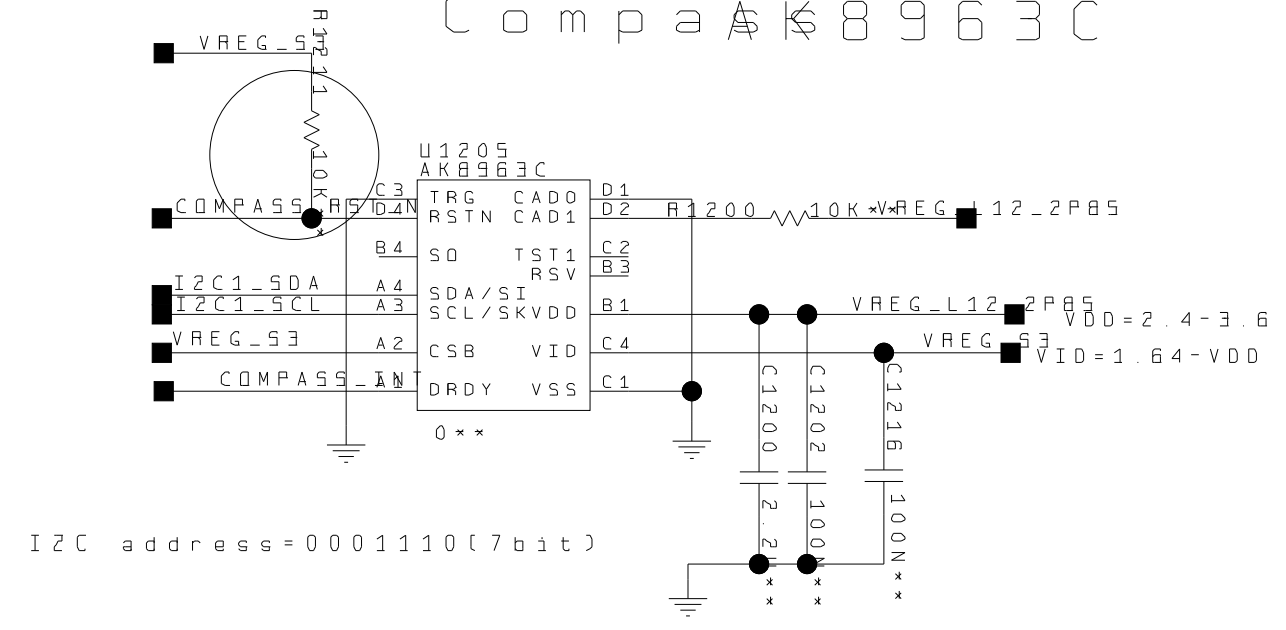
Status Indicator



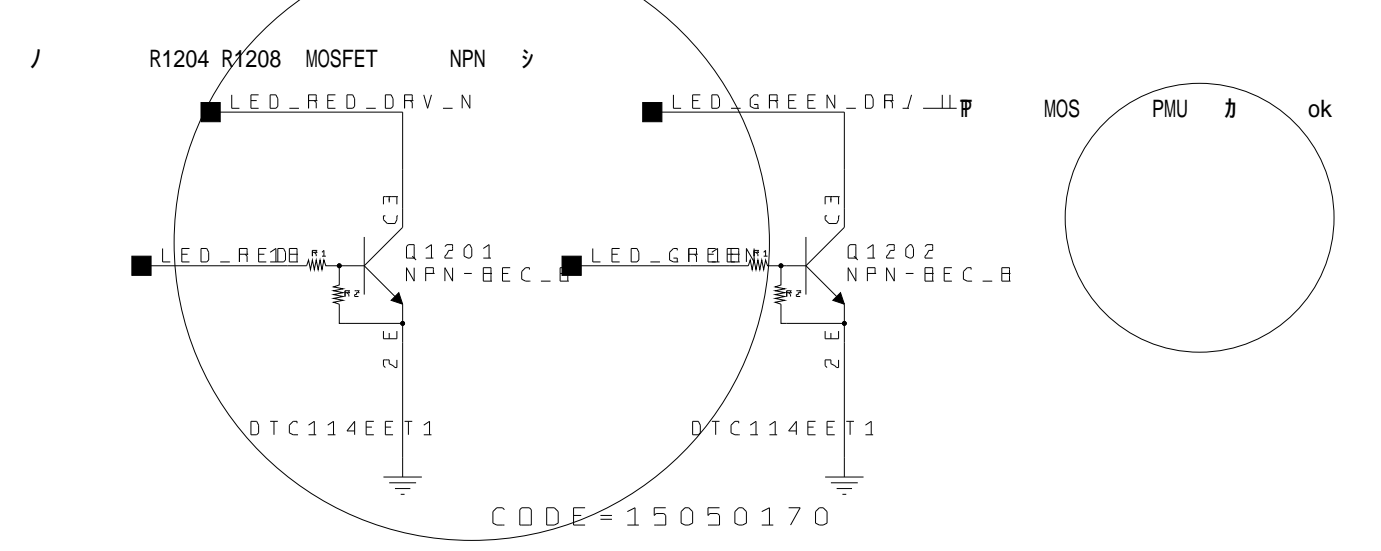
Ambient Light and Proximity



Compass AK8963C



Dual SIM card, BATT_ID status indicator



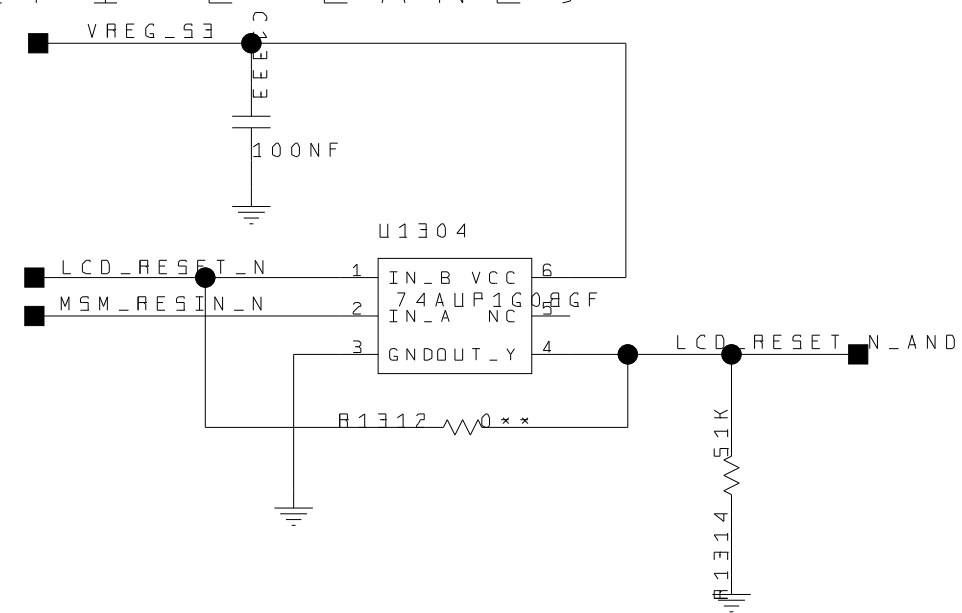
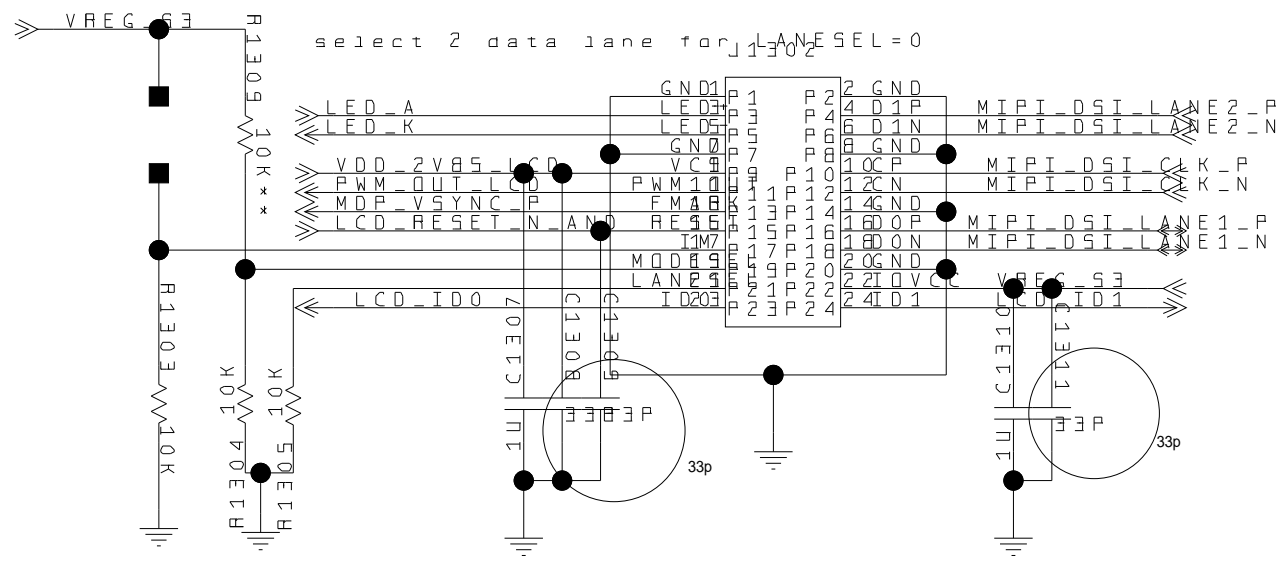
The type and specification of the components refer

			NA	2012-10-25
			ECA NO	DATE
DESIGNER	WDXAINKUN	00188440		
		HD1U8833M		6721020_SCH6
REVIEWER	WPHUI	68182		
		VERPART_NUMBER		SHEET 2 OF 38
		C	03021WY	HUAWEI TECH CO.,LTD.

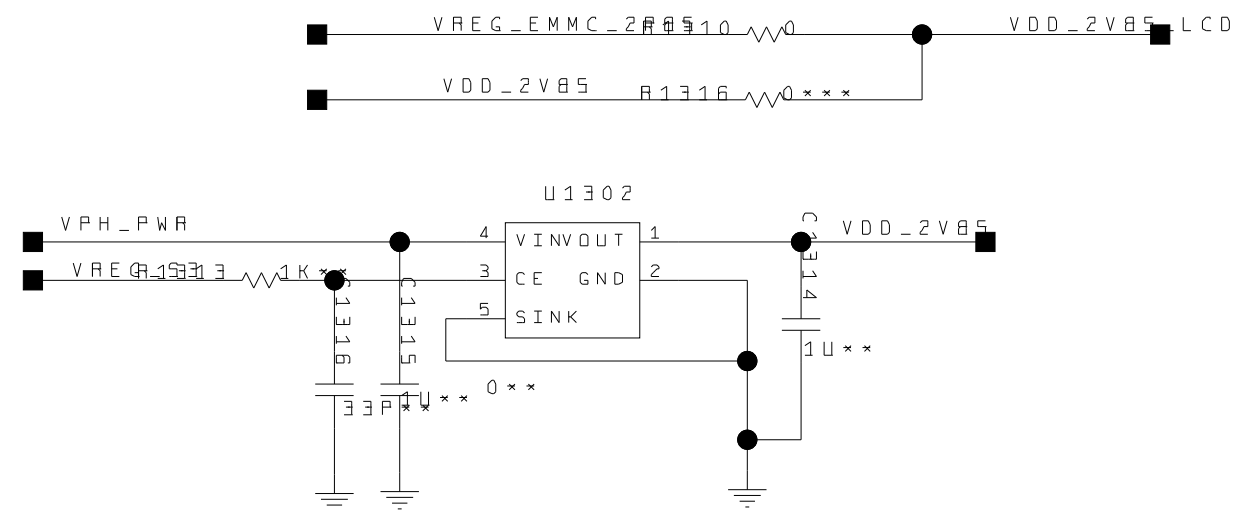
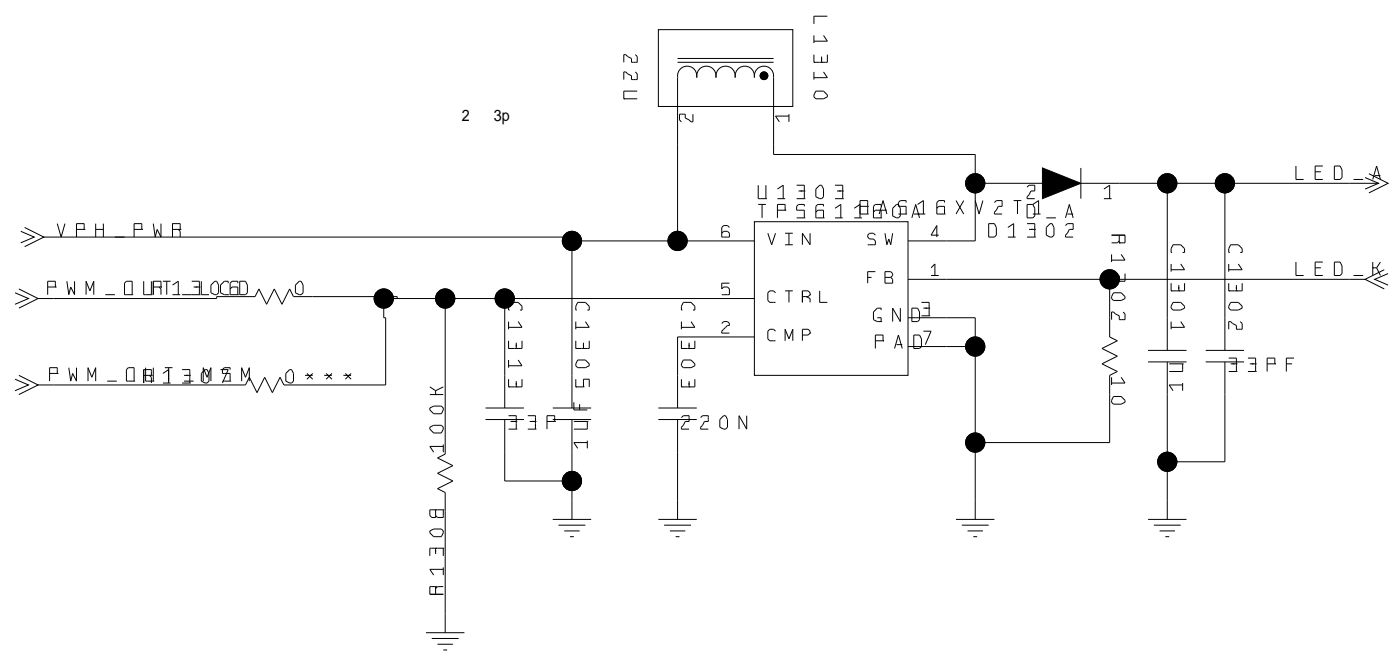


13. LCD interface & LCD backlight driver

LCD 24pin BTB (4.0' MIPI 2 LANE)



LCM backlight driver

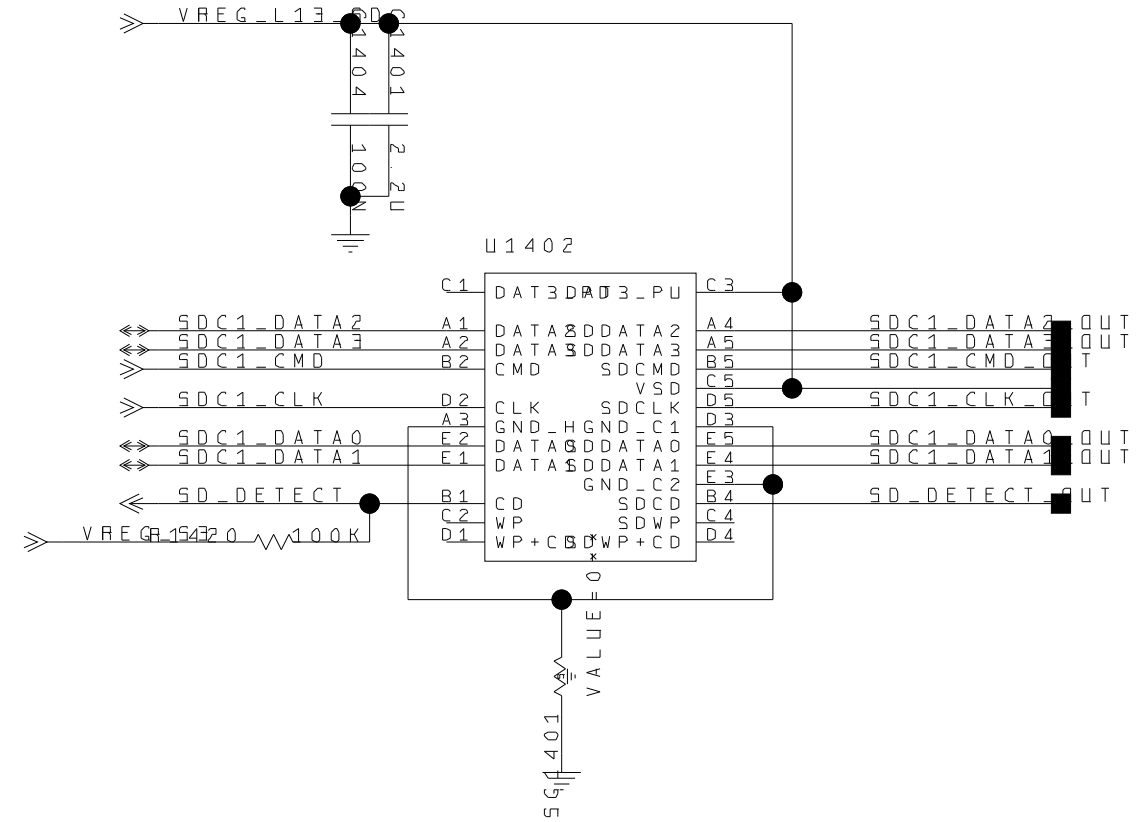
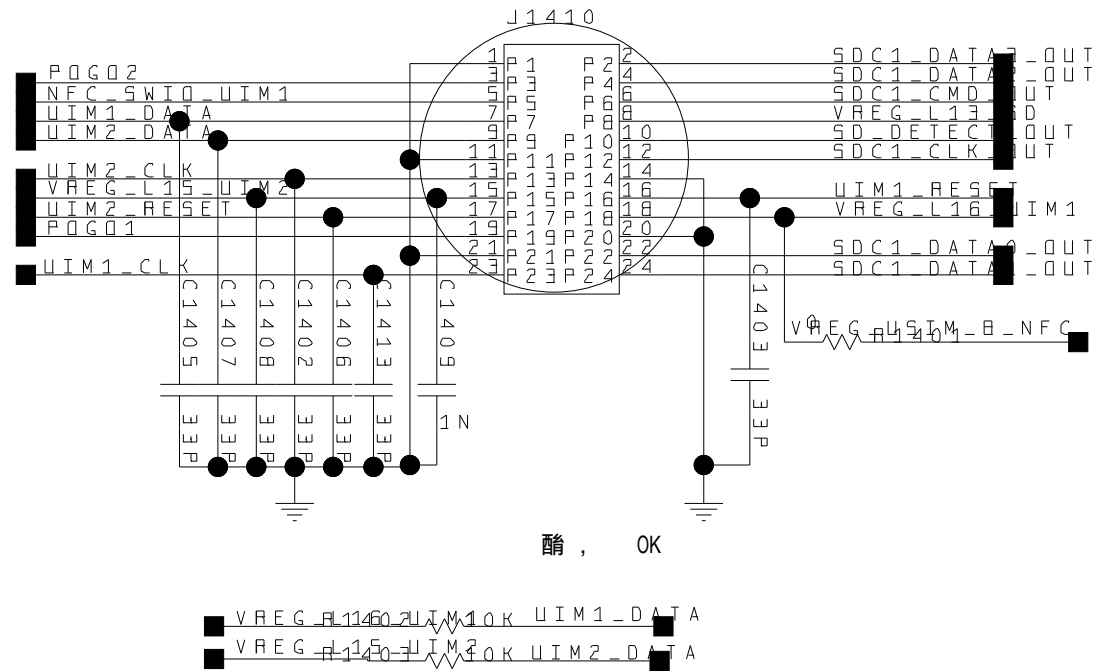


The type and specification of the components refer

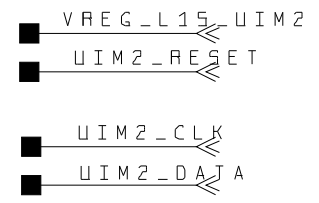
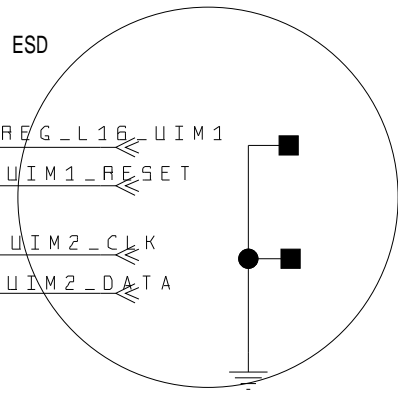
				NA	2012-10-25
				ECA NO	DATE
DESIGNER	WDXAINKUN	00188440			
REVIEWER	WJHUI	68182			
			VER PART_NUMBER		SHEET 13 OF 38
			C	03021WY	HUAWEI TECH CO.,LTD.

1 4 . SIM / TF card

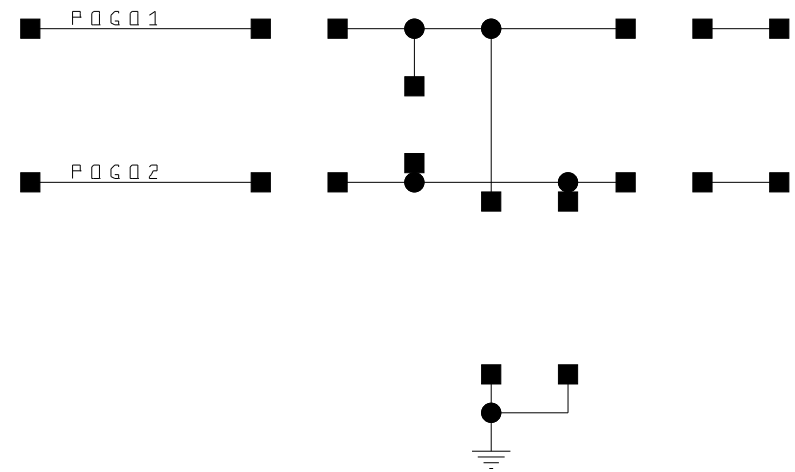
TF Card



if SD_DETECT presents PIN
else PIN C1 should pull down



R F I D



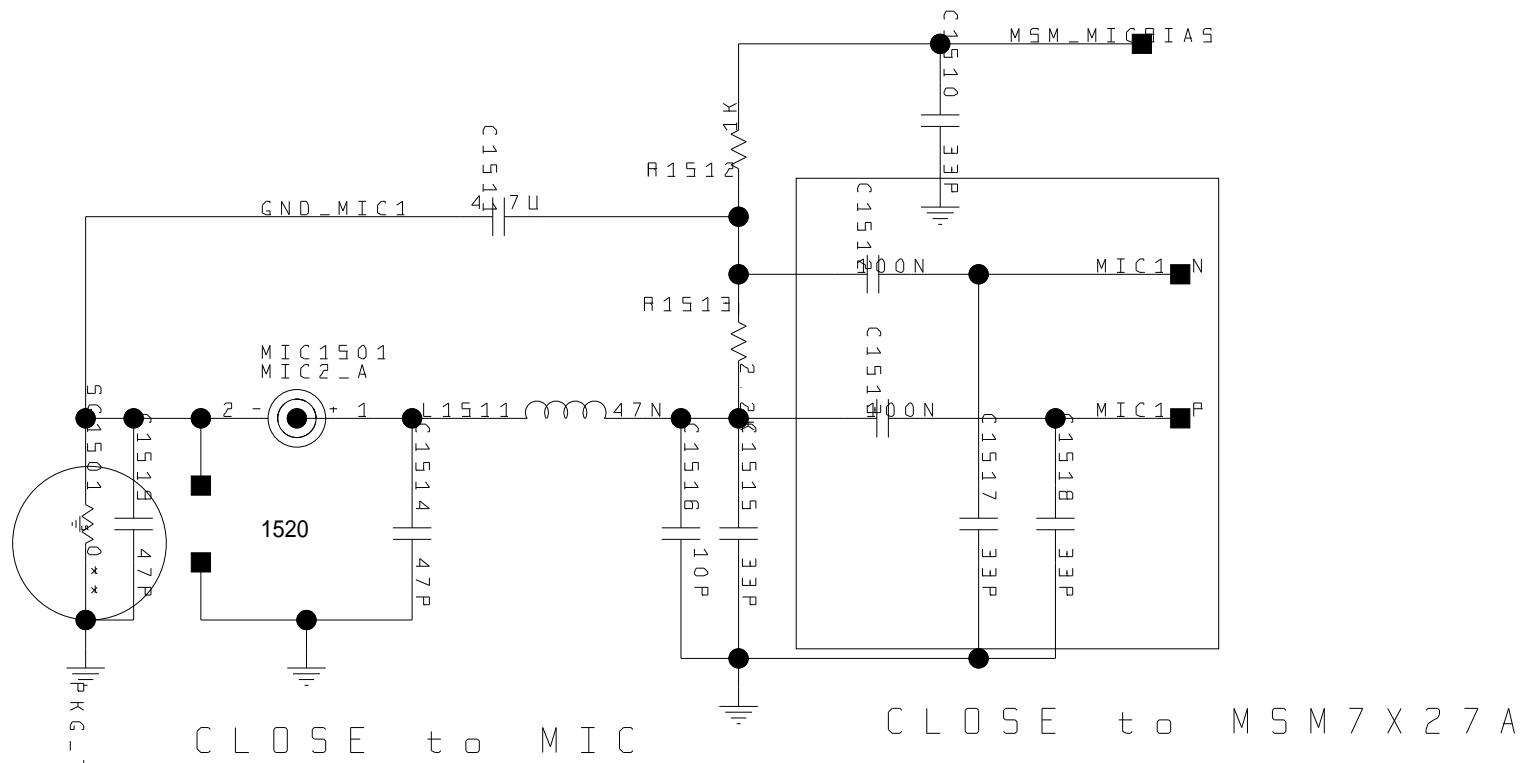
8 pin SIM Card , only for China Telecom. Place the same place

The type and specification of the components refer

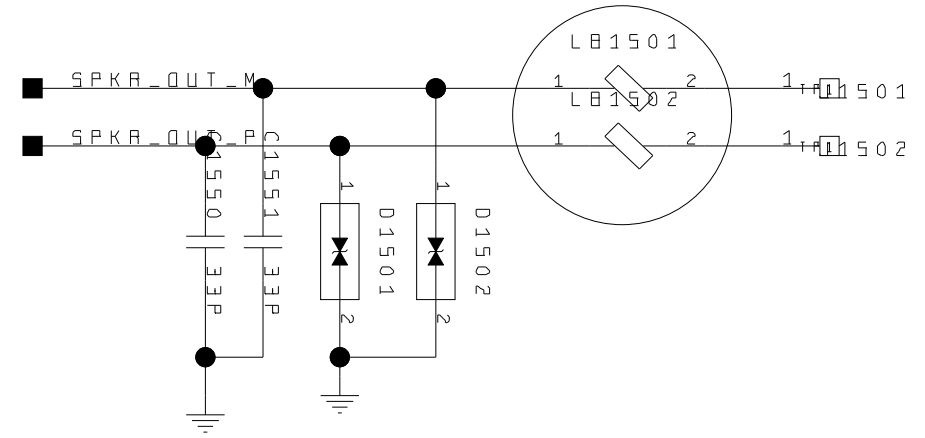
			NA	2012-10-25
			ECA NO	DATE
DESIGNER	WDXAINKUN	00188440		
REVIEWER	PHUI 68182	HD1U8833M		6721020_SCH6
		V.E.R.P.A.R.T.N.U.M.B.E.R		JS14E014 OF 38
		C	03021WY	HUAWEI TECH CO.,LTD.

15. AUDIO/MIC

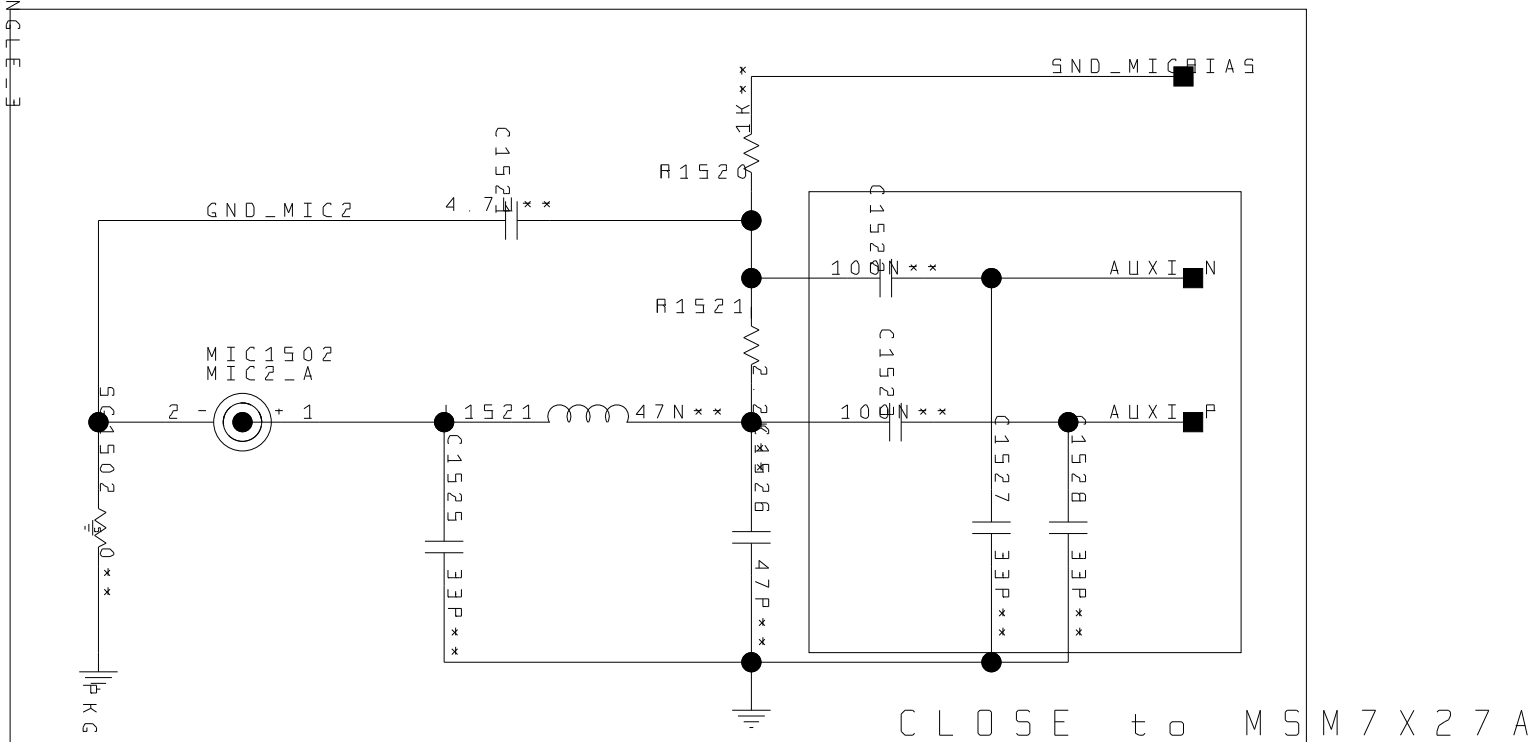
Primary Mic



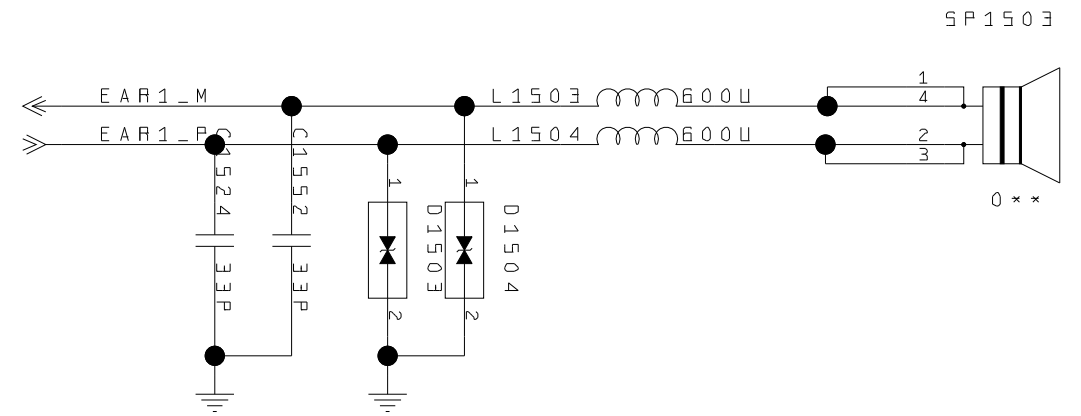
Speaker



Secondary Mic



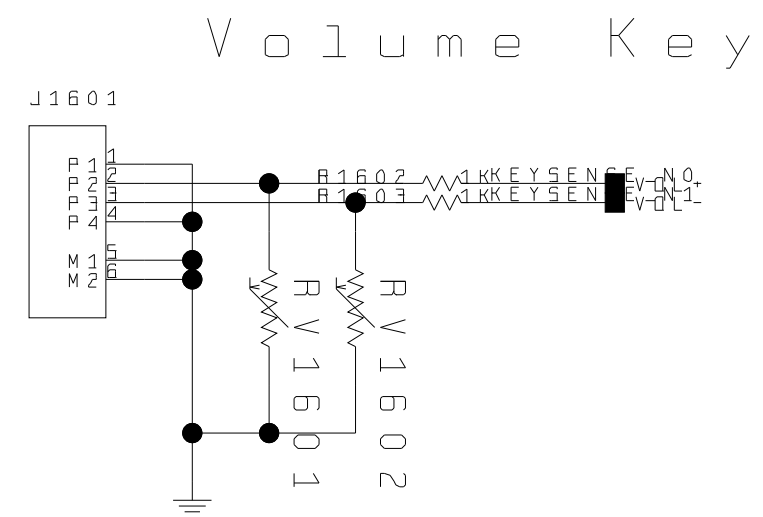
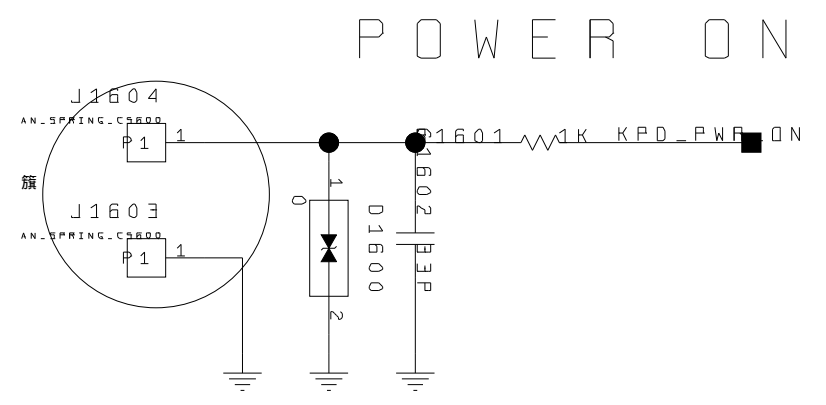
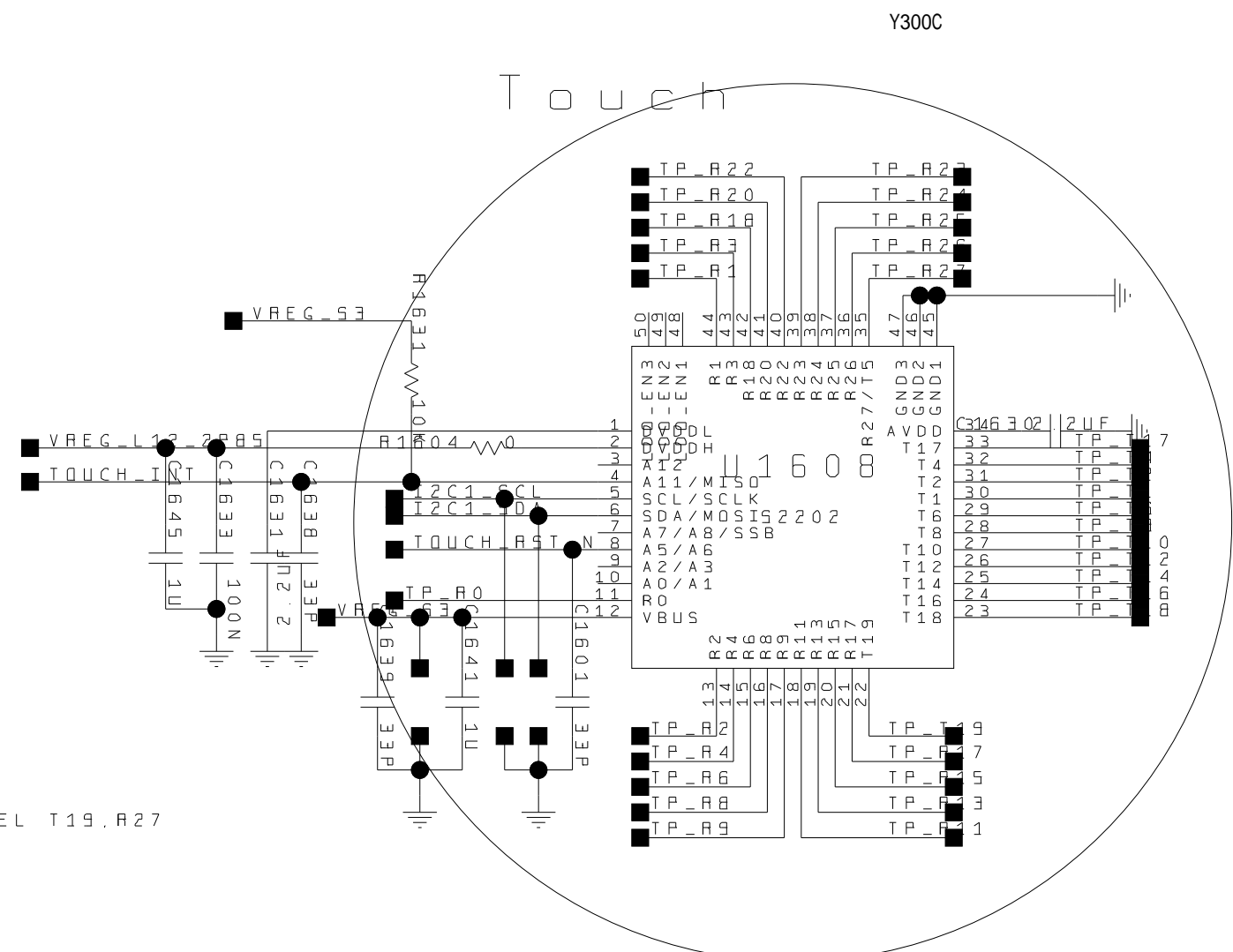
Receiver



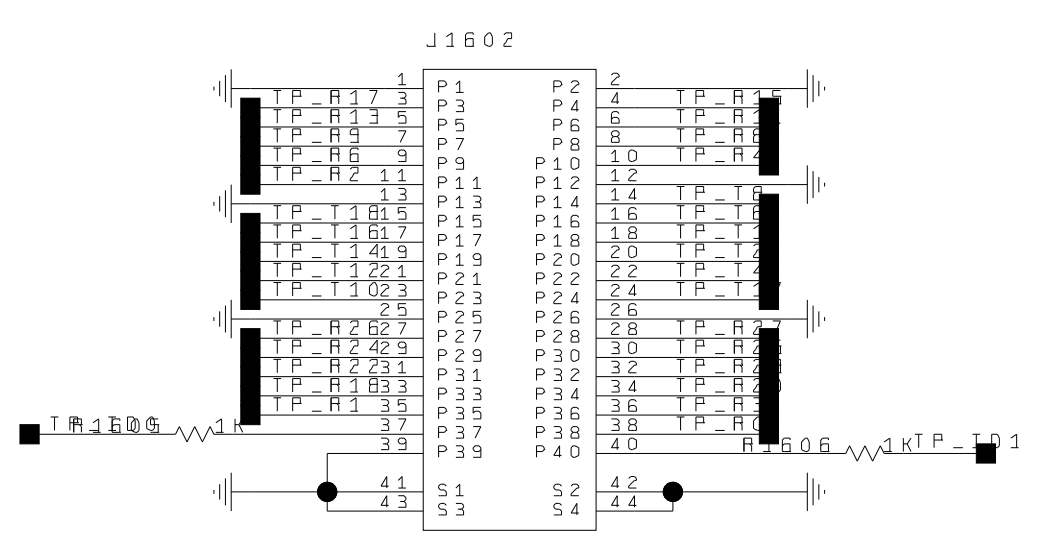
The type and specification of the components refer

				NA	2012-10-25
				ECA NO	DATE
DESIGNER	HDXAIKUN	00188440			
REVIEWER	HDHUI	68182			
			VERPART_NUMBER	6721020_5CH6Z	
			C	03021WY	HUAWEI TECH CO.,LTD.

16 . Keypad / Touch / Vibrator



DEL T19.R27



The type and specification of the components refer

			NA	2012-10-25
			ECA NO	DATE
DESIGNER	WDXAINKUN	00188440		
		HD1U8833M		6721020_SCH6Z
REVIEWER	WJHUI	68182		
		VER PART_NUMBER		SHEET 16 OF 38
		C	03021WY	HUAWEI TECH CO.,LTD.

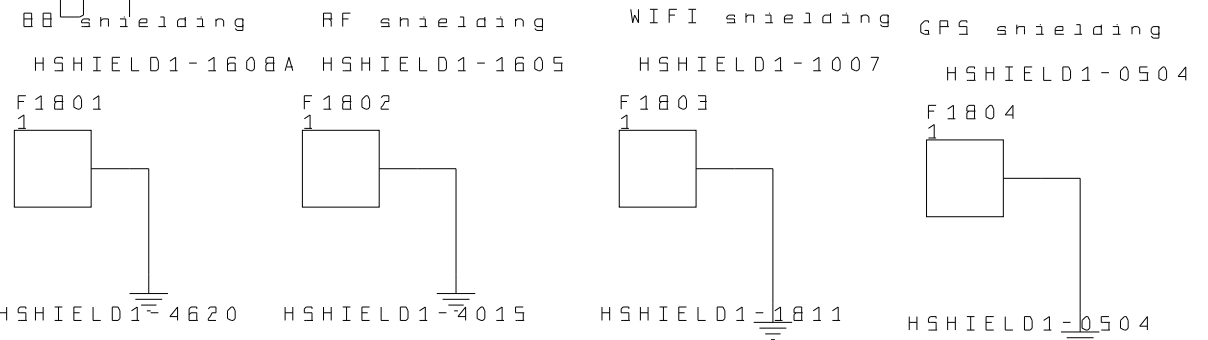
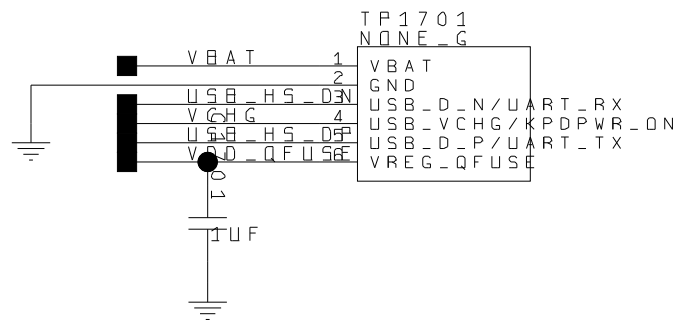


منبع مقاله

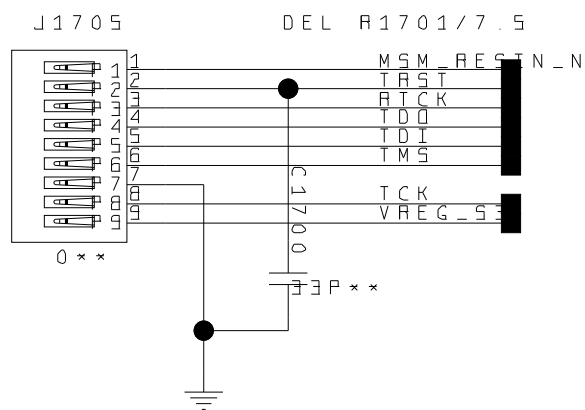
17. Test Points / JTAG / Shields

Shielding

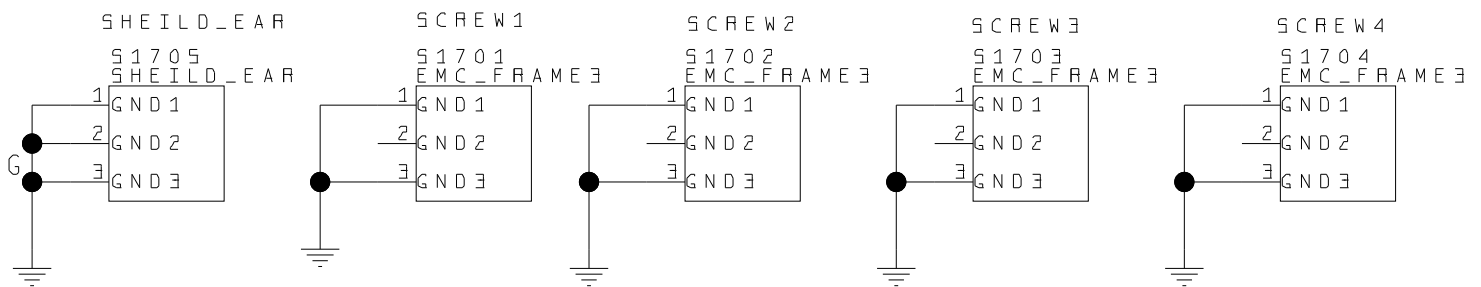
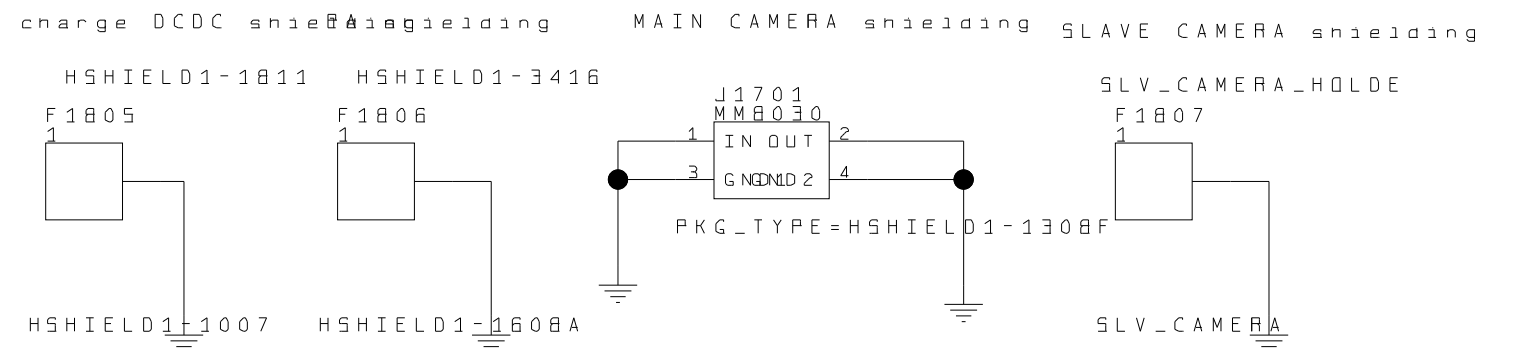
TEST POINT for CT and BT



JTAG



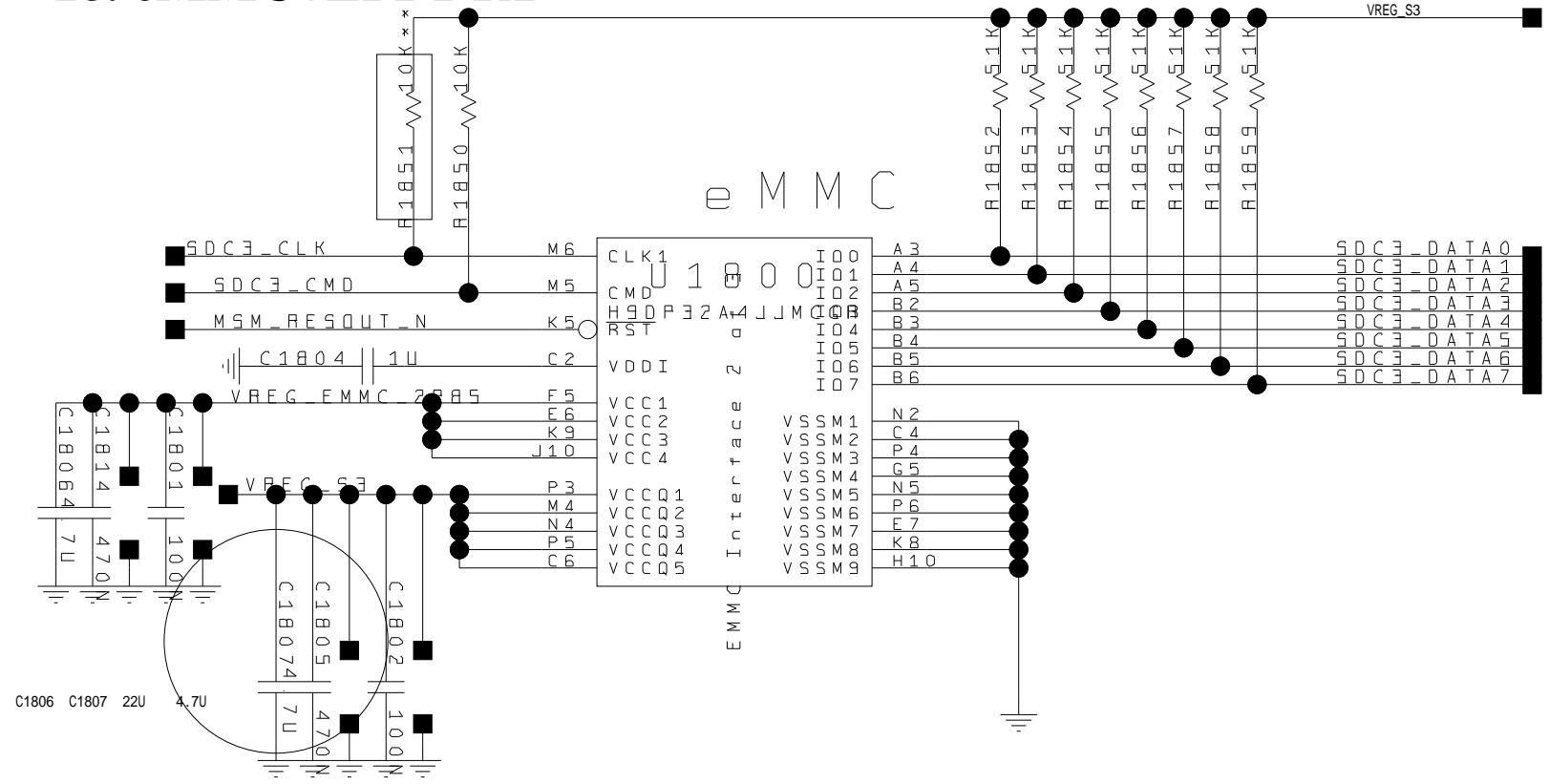
NOTES: place PS_HOLD near JTAG



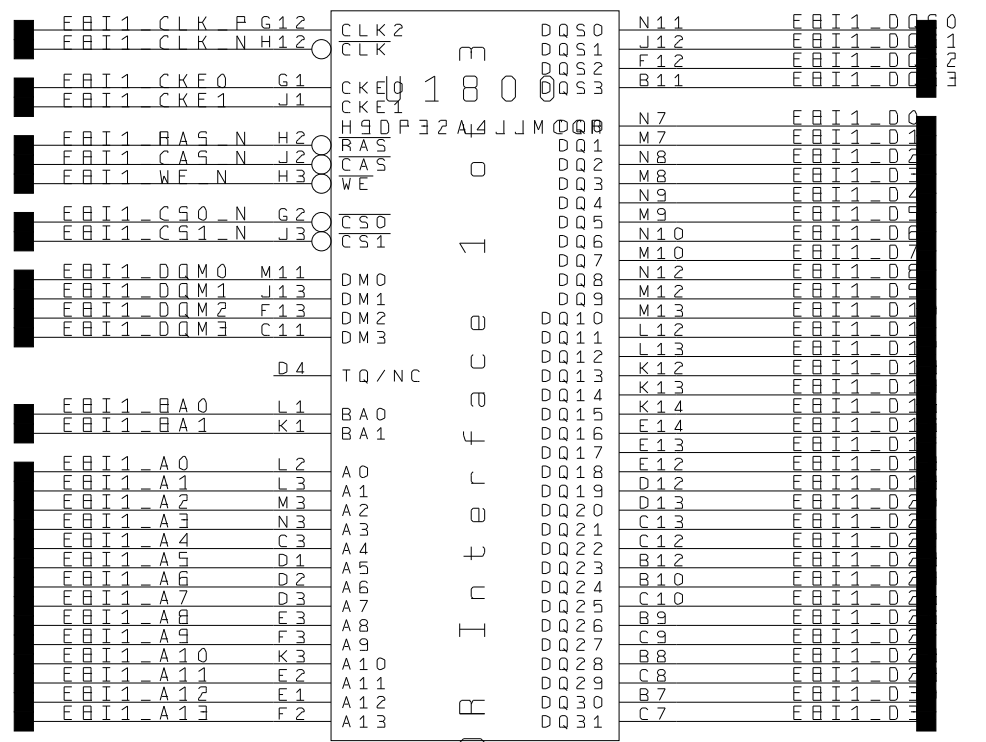
The type and specification of the components refer

				NA	2012-10-25
				ECA NO	DATE
DESIGNER	WDXAINKUN	00188440			
		HD1U8833M			6721020_5CH6Z
REVIEWER	EDHUI	68182			
		VER PART_NUMBER			SHEET 7 OF 38
		C	03021WY		HUAWEI TECH CO.,LTD.

18. eMMC+LPDDR1

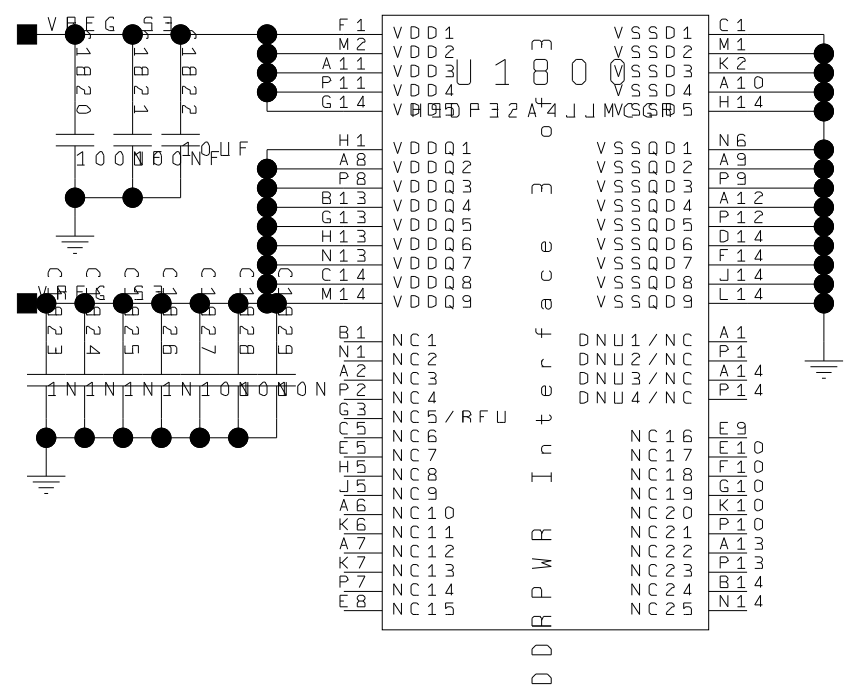
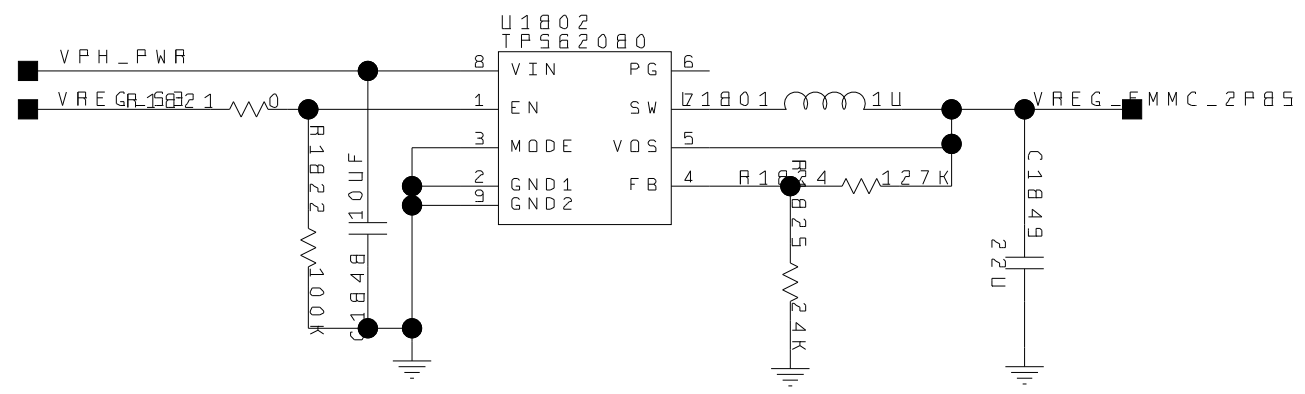


LPDDR1



COPY U9800 / R1825 is recommend < 40K
 $V_{OUT} = 0.45V * (1 + R1824 / R1825)$

VOUT	VALUE	R1824
2.831V	127K	07090993



The type and specification of the components refer

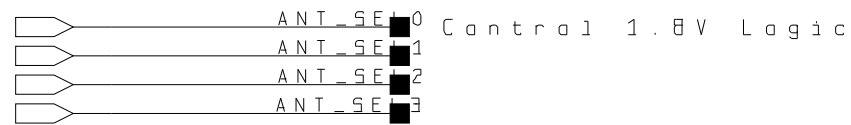
			NA	2012-10-25
			ECA NO	DATE
DESIGNER	WDXAINKUN	00188440	HD1U8833M	6721020_SCH6
REVIEWER	WEDHUI	68182	VERPART_NUMBER	SHEET 8 OF 38
			C	03021WY
				HUAWEI TECH CO.,LTD.



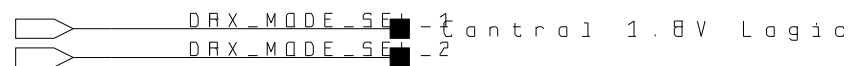
منبع مقاله

30 . RF INPUT OUTPUT PORTS

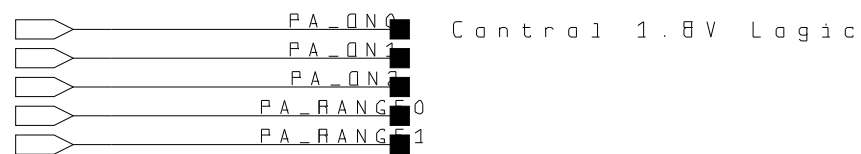
For Antenna Switch Control



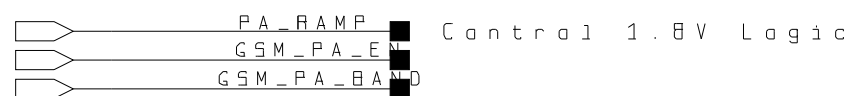
ADD for TRX Control



For WCDMA/CDMA PA Control



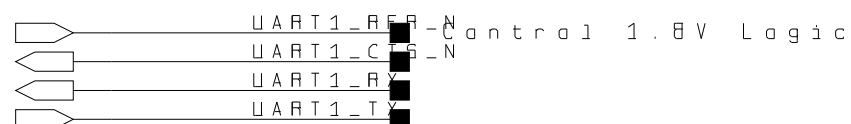
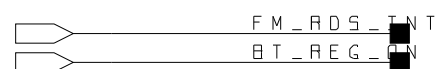
For GSM PA Control



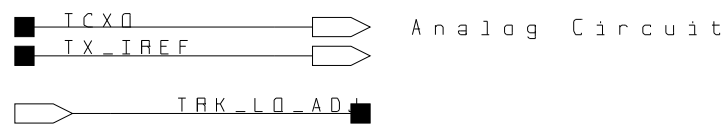
For GPS Control



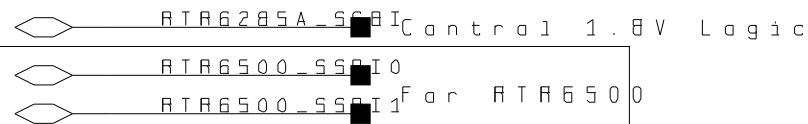
For BT Control



For VCTCXO and Other



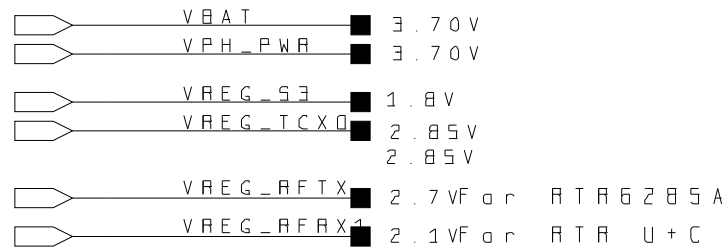
RTR SBI Control Line



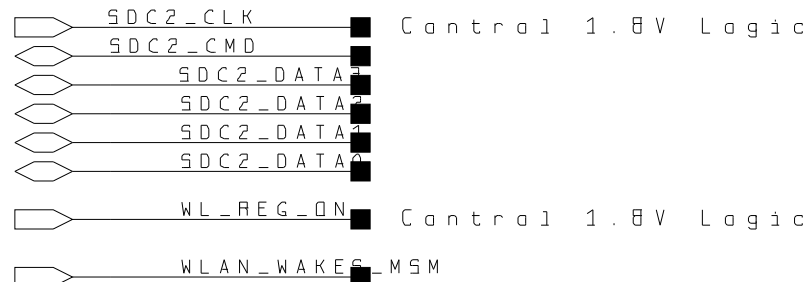
For RTR Control



Power Supply For RF



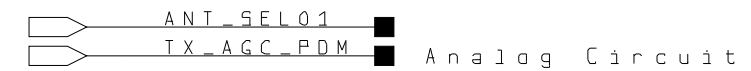
For WIFI Control



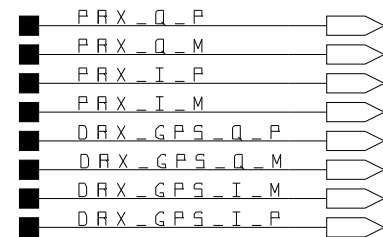
For FM interface



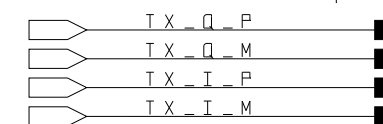
For Antenna Switch Control



RX IQ Output



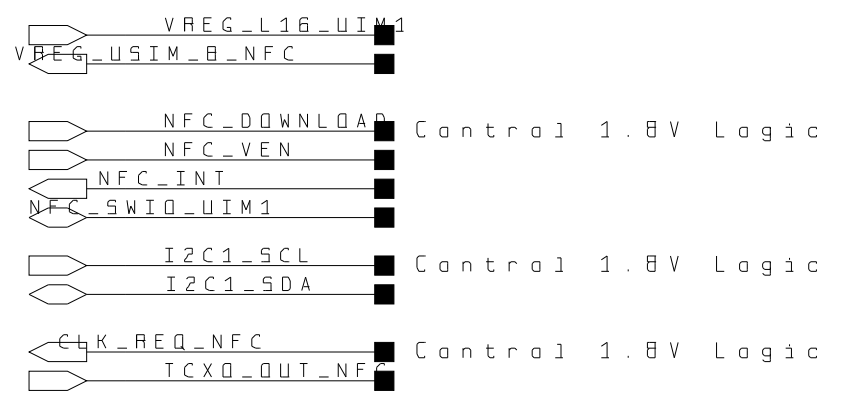
TX IQ Input



SLEEP Input



For NFC interface

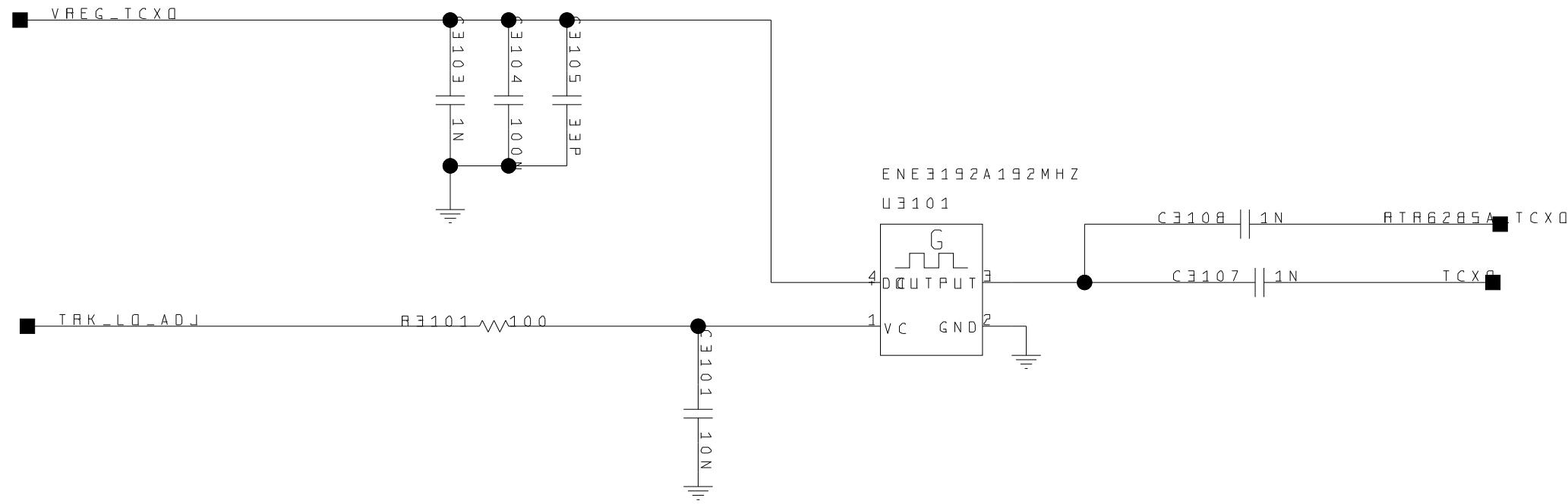


The type and specification of the components refer

				NA	2012-10-25
				ECA NO	DATE
DESIGNER	WDXAINKUN	00188440			
		HD1U8833M			6721020_5CH6Z
REVIEWER	WHDUI	68182			
		VERPART_NUMBER			SHEET 20 OF 38
		C	03021WY		HUAWEI TECH CO.,LTD.



31 . 19 . 2 M H z V C T C X 0 / A P T D C D C



The type and specification of the components refer

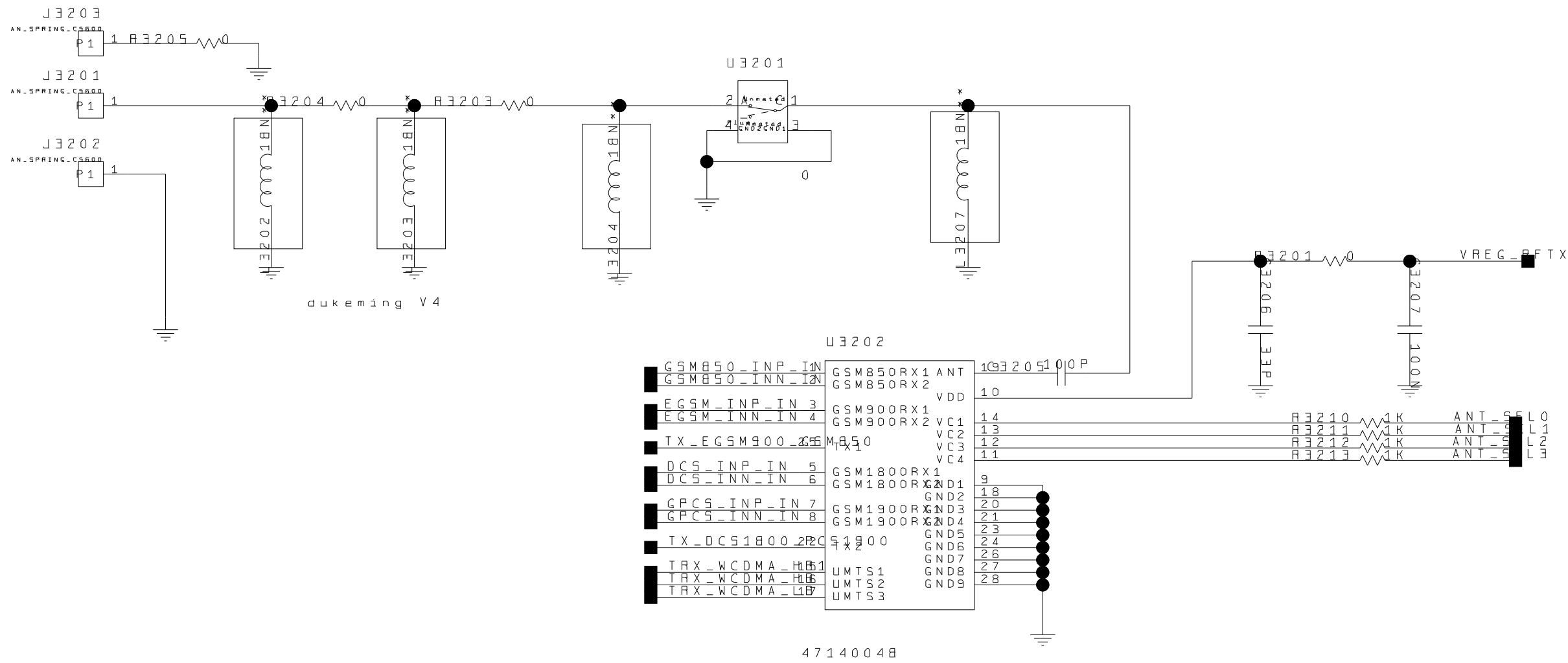
				NA	2012-10-25
				ECA NO	DATE
DESIGNER	WDXAINKUN	00188440			
		HD1U8833M			6721020_5CH6Z
REVIEWER	WEDHUI	68182			
		VER PART _ NUMBER			SHEET 1 OF 38
		C	03021WY		HUAWEI TECH CO.,LTD.



32. Antenna Switchplexer

MODE	TX FREQ	RX FREQ	PWR CLASS	PWR
GSM850	824-849	869-894	4	33
GSM900	880-915	925-960	4	33
GSM1800	1710-1785	1805-1880	1	30
GSM1900	1850-1910	1930-1990	1	30
WCDMA IMT	1920-1980	2110-2170	3	24
WCDMA PCS	1850-1910	1930-1990	3	24
WCDMA CELL	824-849	869-894	3	24

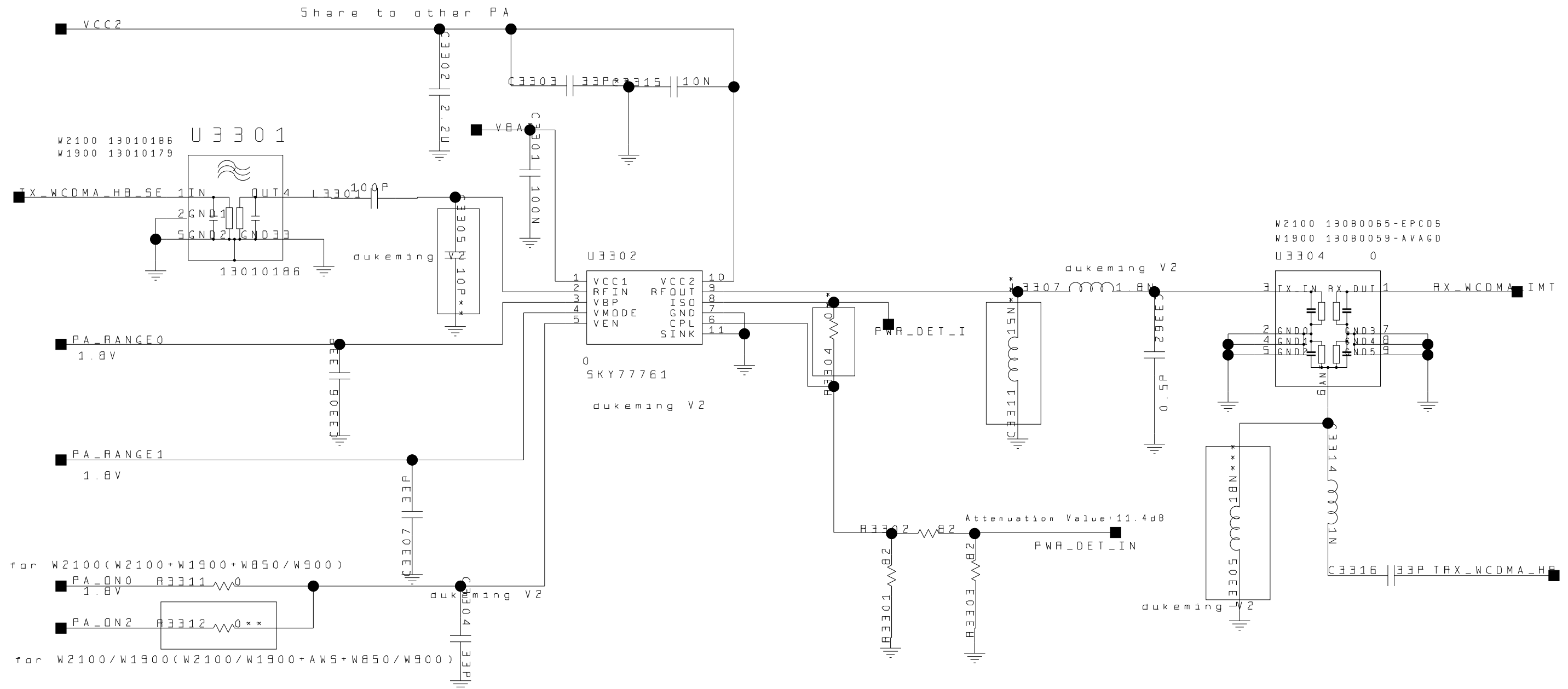
		ANT_SEL0	ANT_SEL1	ANT_SEL2	ANT_SEL3
GCELL/EGSM_TX	GSM850/900 TX	1	1	0	0
DCS/PCS_TX	GSM1800/1900 TX	1	0	0	0
DCS_RX	GSM1800 RX	0	0	1	0
PCS_RX	GSM1900 RX	0	0	0	0
EGSM_RX	GSM900 RX	0	1	0	0
GCELL_RX/CUT	GSM850 RX	0	1	1	0
UMTS1		1	0	1	0
UMTS2		1	1	1	0
UMTS3		1	0	1	1



The type and specification of the components refer

			NA	2012-10-25
			ECA NO	DATE
DESIGNER	WDXAINKUN	00188440		
REVIEWER	EDHUI	68182	HD1U8833M	6721020_5CH6Z
			VER PART NUMBER	SHEET 22 OF 38
			C	03021WY
				HUAWEI TECH CO.,LTD.

33 . WCDMA IMT Power Amplifier



WCDMA_PA_ON0	PA01 STATE	PA_VMODE0	PA_VMODE1	MODE
H	ON	L	L	High Power
L	OFF	L	H	Middle Power
L	OFF	H	H	Low Power

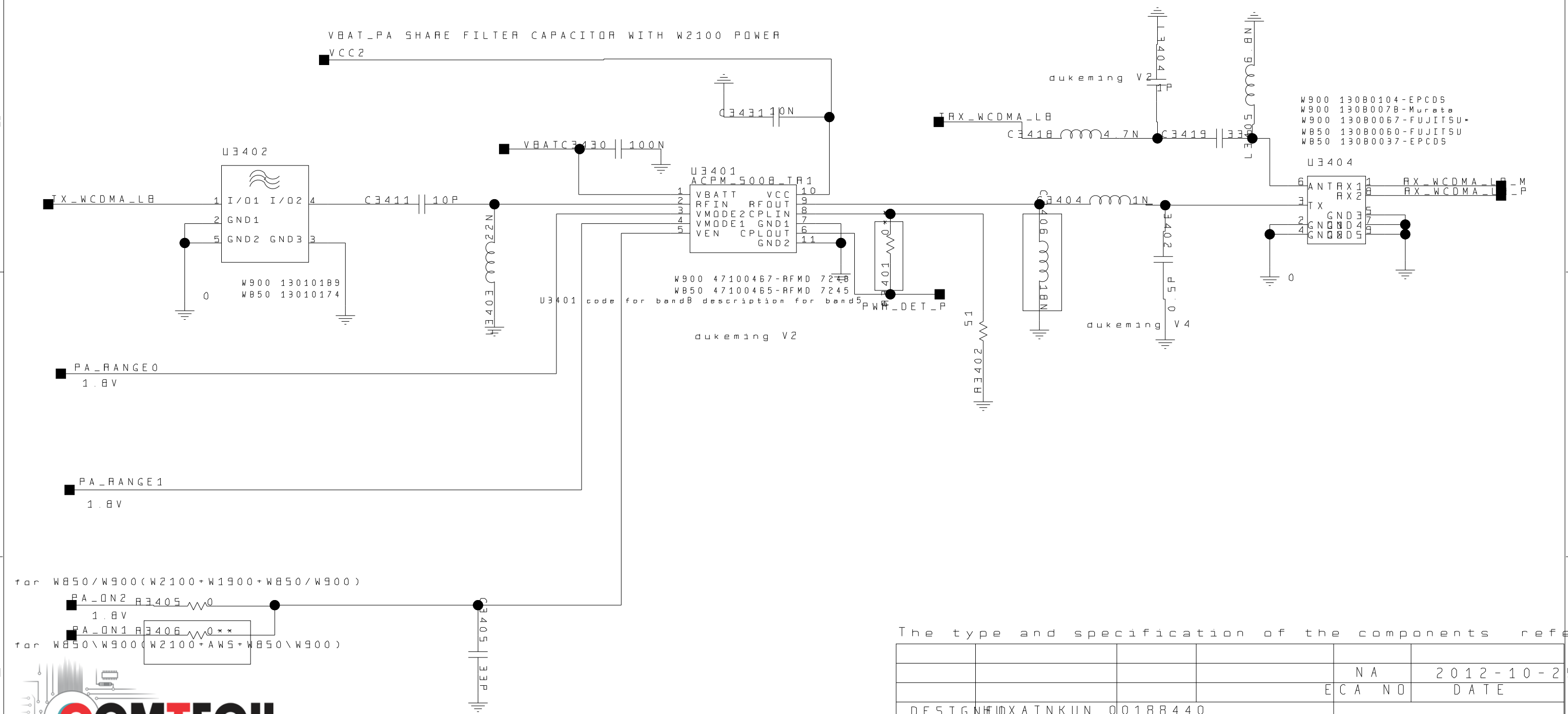
WCDMA_PA_ON0	W2100
WCDMA_PA_ON1	W1900
WCDMA_PA_ON2	W850/900

The type and specification of the components refer

DESIGNER	OXAIKUN 00188440	NA	2012-10-25
REVIEWER	DHUI 68182	ECA NO	DATE
VER PART NUMBER	HD1U8833M	6721020_5CH6Z	
C	03021WY	SHEET 3 OF 38	
		HUAWEI TECH CO.,LTD.	

34 . WCDMA CELL Power Amplifier

	W850		W900	
	Part number	CODE	Part number	CODE
U3401	ACPM_7311	T711002	ACPM_7371	T711001
U3402	89425	1301013	AFEB897MAL0	1301401
U3404	87640	1308000	3587681	1308002



The type and specification of the components refer

			NA	2012-10-25
			ECA NO	DATE
DESIGNER	WDXAINKUN	00188440		
		HD1U8833M		6721020_5CH6Z
REVIEWER	WJHUI	68182		
		VER PART_NUMBER		SHEET 4 OF 38
		C	03021WY	HUAWEI TECH CO.,LTD.

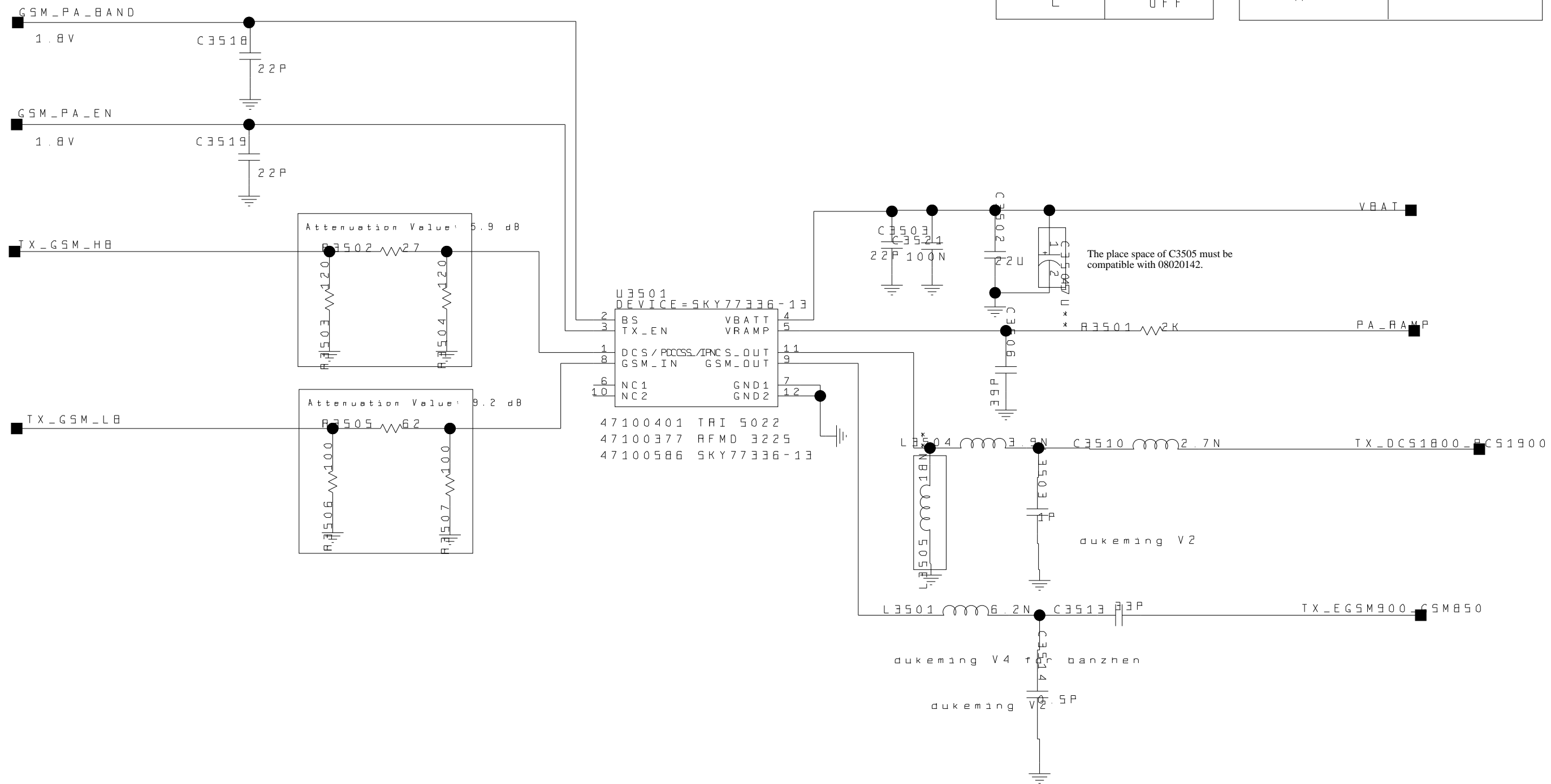


منبع مقاله

35 . GSM Quad_band_PA

GSM_PA_EN	PA
H	ON
L	OFF

GSM_PA_BAND	MODE
L	LOW BAND
H	HIGH BAND



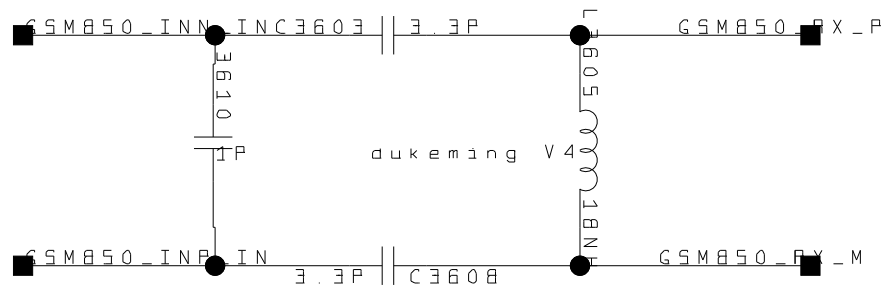
The type and specification of the components refer

			NA	2012-10-25
			ECA NO	DATE
DESIGNER	WDXAINKUN	00188440		
		HD1U8833M		6721020_5CH6Z
REVIEWER	WJHUI	68182		
		VER PART NUMBER		SHEET 5 OF 38
		C	03021WY	HUAWEI TECH CO.,LTD.

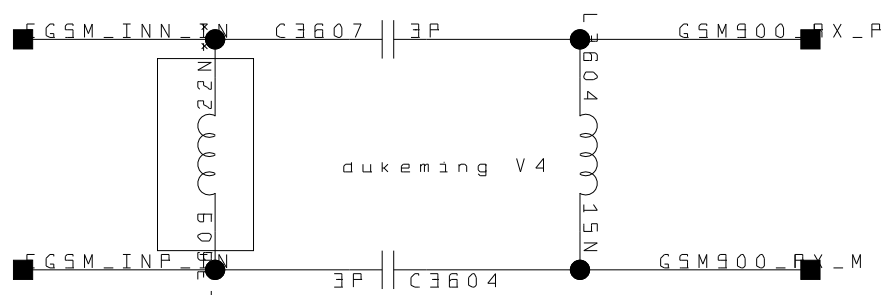


36 . RX MATCHING CIRCUIT

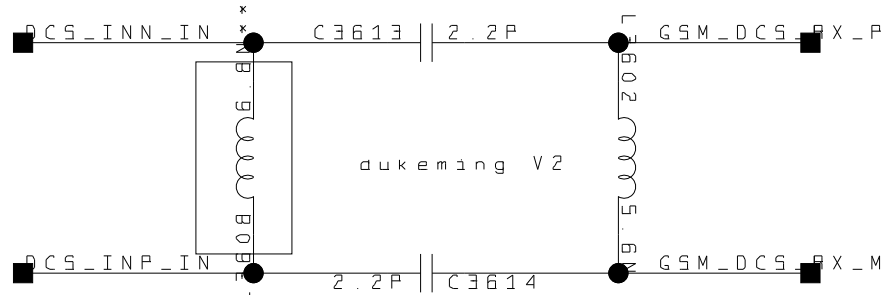
GSM850 RX MATCHING



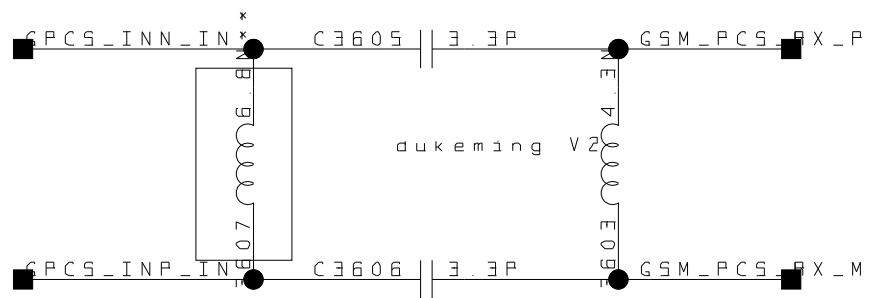
GSM900 RX MATCHING



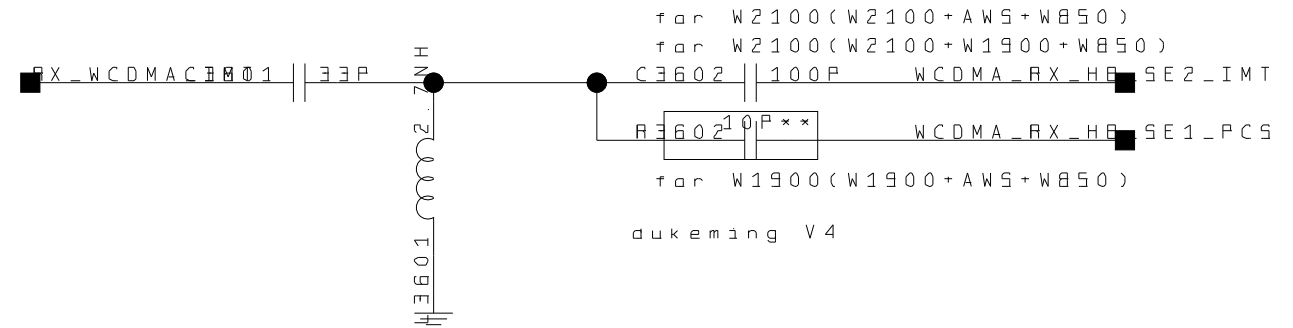
GSM1800 RX MATCHING



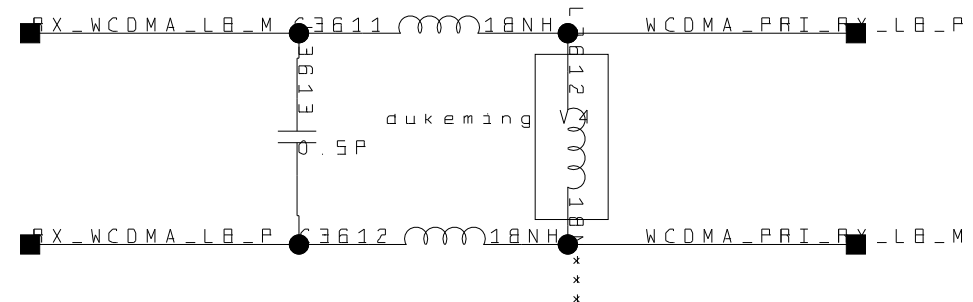
PCS1900 RX MATCHING



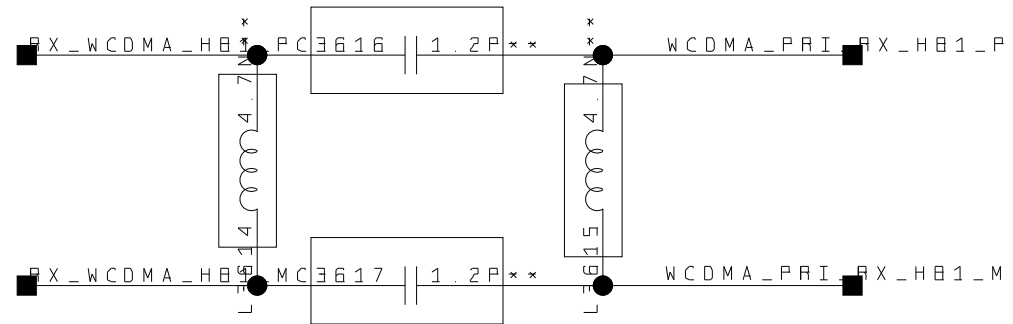
W2100 PRIMARY RX MATCHING



W850/900 PRIMARY RX MATCHING



PCS PRIMARY RX MATCHING



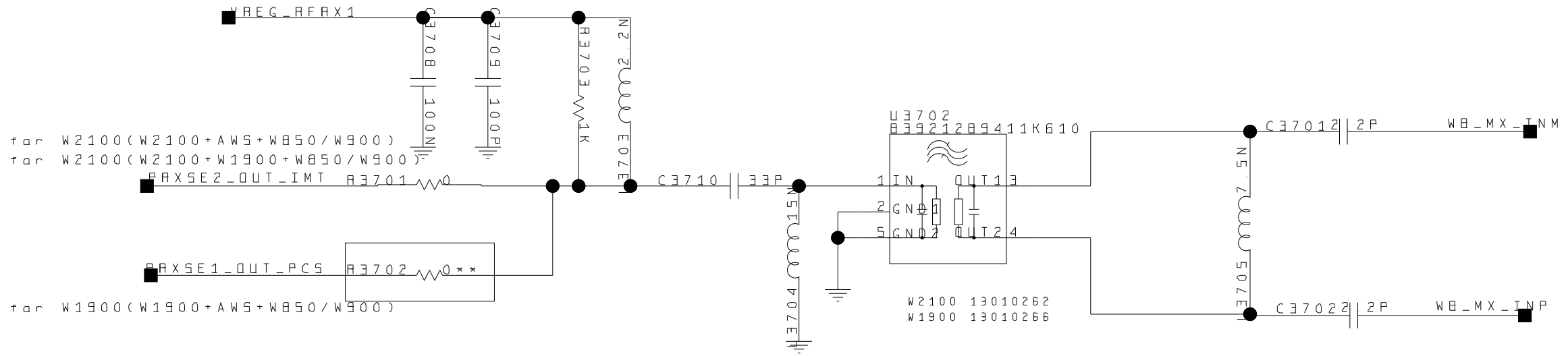
The type and specification of the components refer

				NA	2012-10-25
				ECA NO	DATE
DESIGNER	WDXAINKUN	00188440			
		HD1U8833M			6721020_5CH6Z
REVIEWER	WHDUI	68182			
		VER PART NUMBER			SHEET 6 OF 38
		C	03021WY		HUAWEI TECH CO.,LTD.



منبع مقاله

37 . U M T S I M T R X I N T E R S T A G E C H A I N

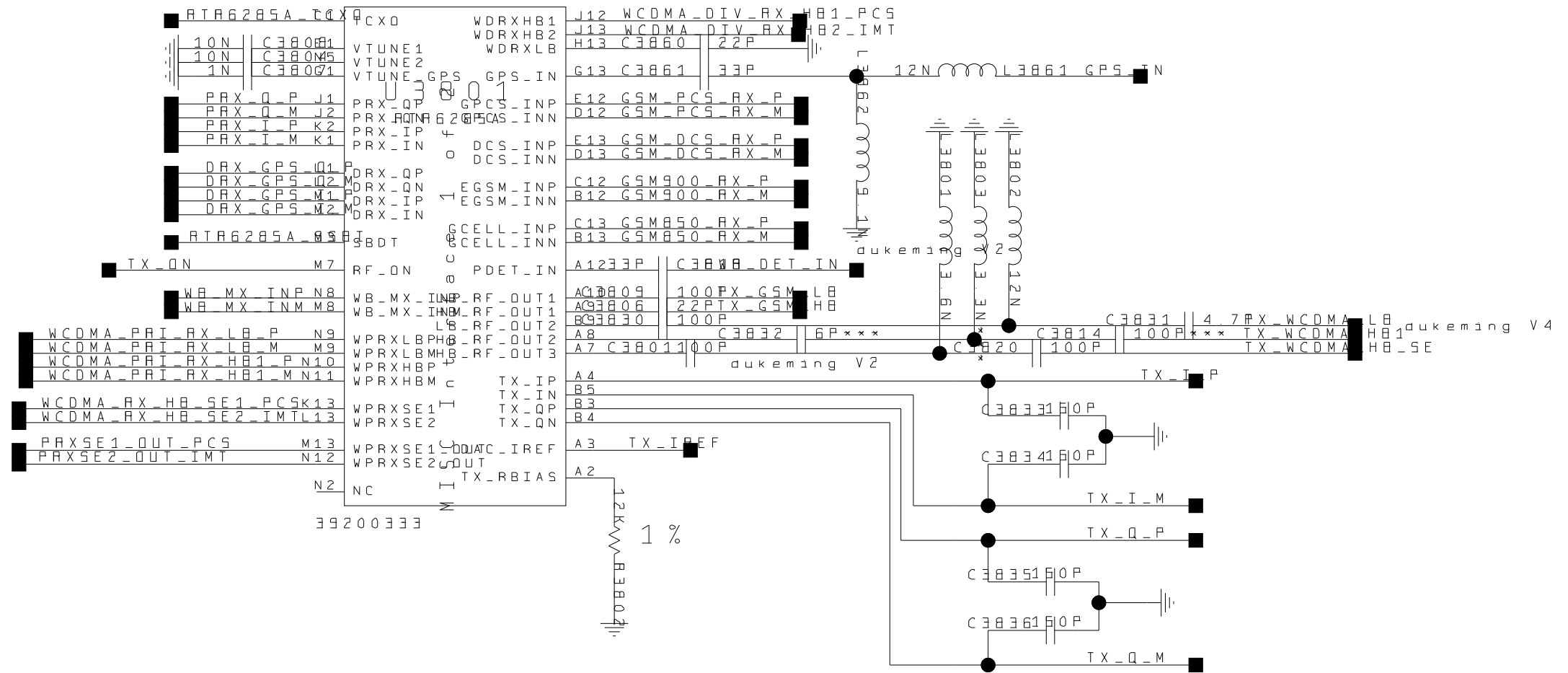


The type and specification of the components refer

				NA	2012-10-25
				ECA NO	DATE
DESIGNER	WDXAINKUN	00188440			
		HD1U8833M			6721020_5CH6Z
REVIEWER	EDHUI	68182			
		VER PART NUMBER			SHEET 7 OF 38
		C	03021WY		HUAWEI TECH CO.,LTD.

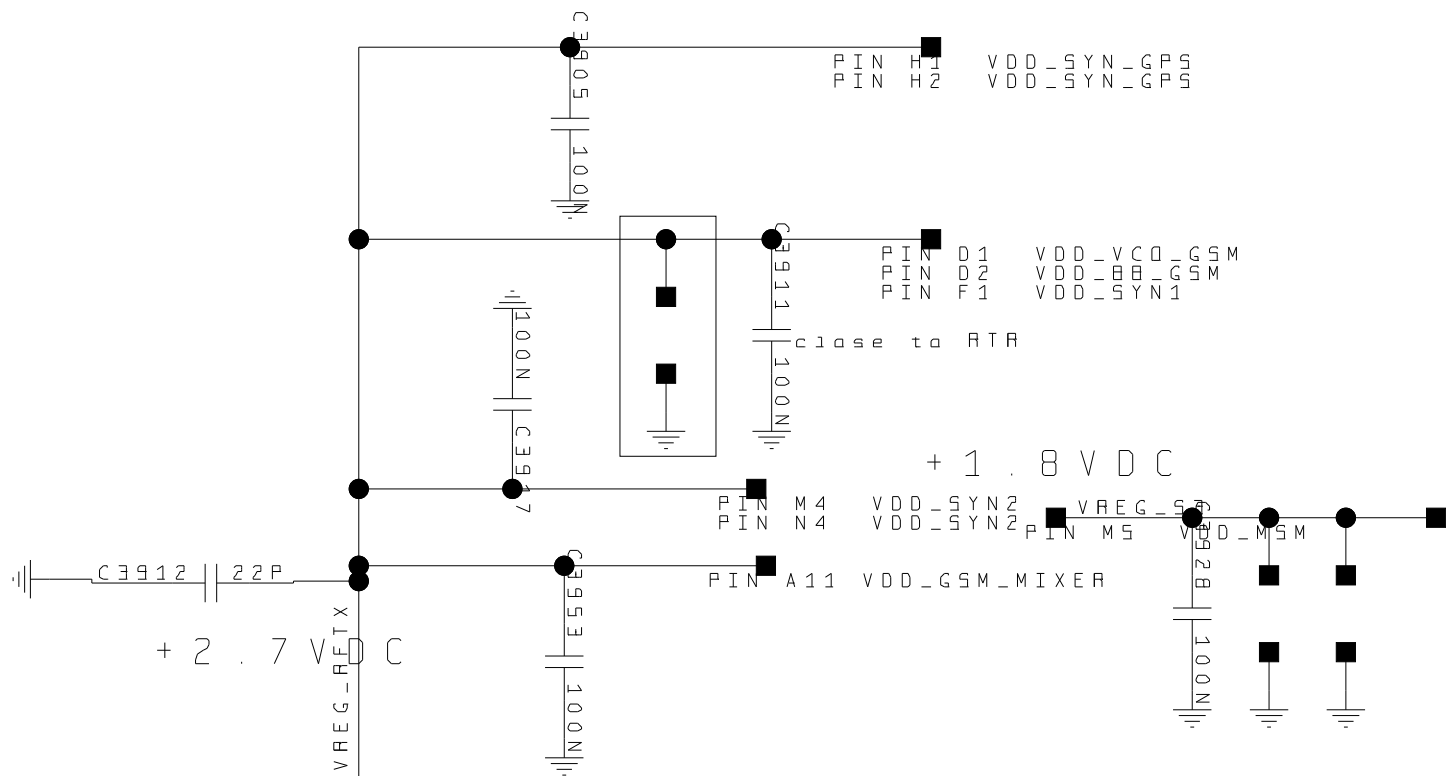
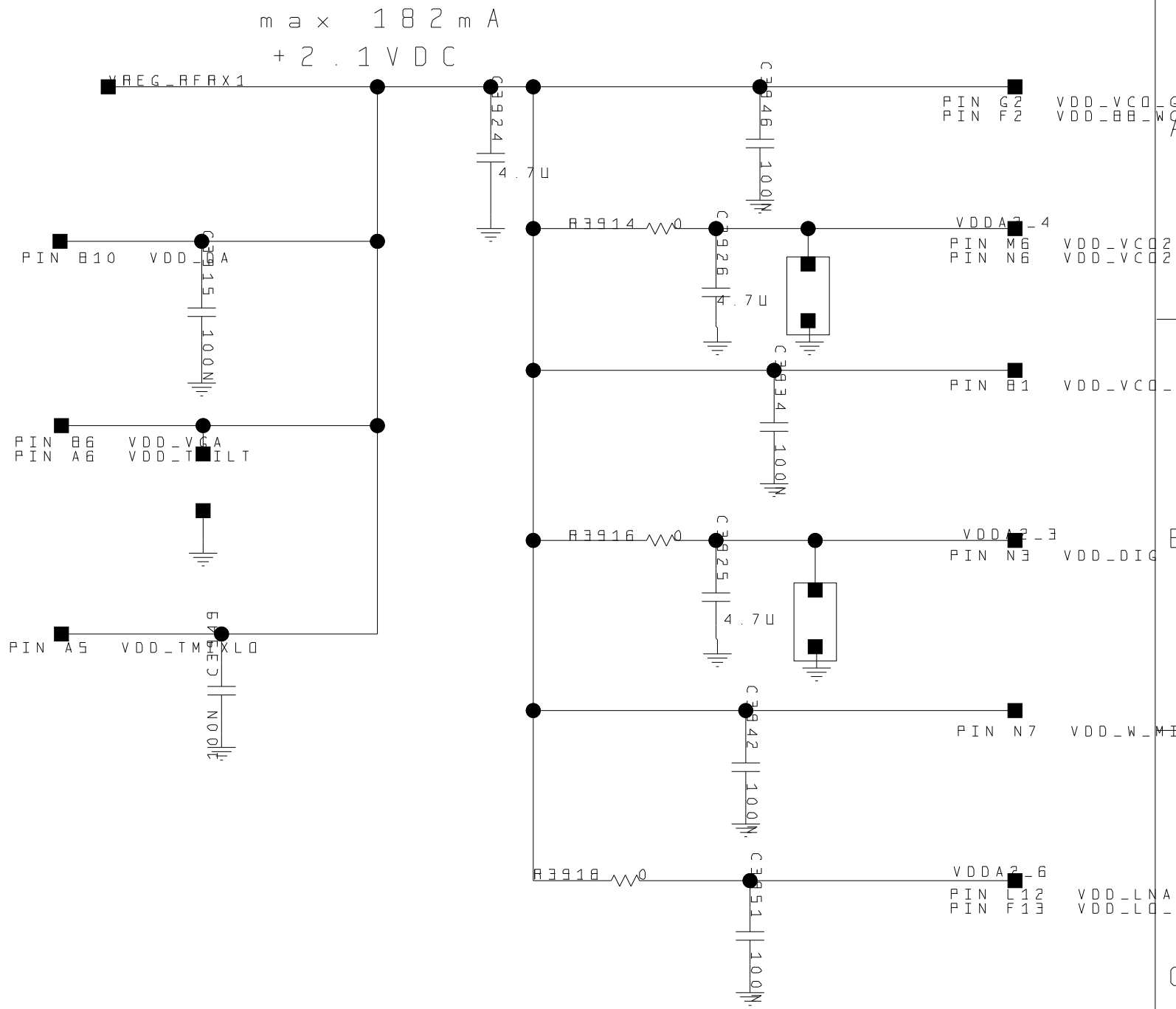
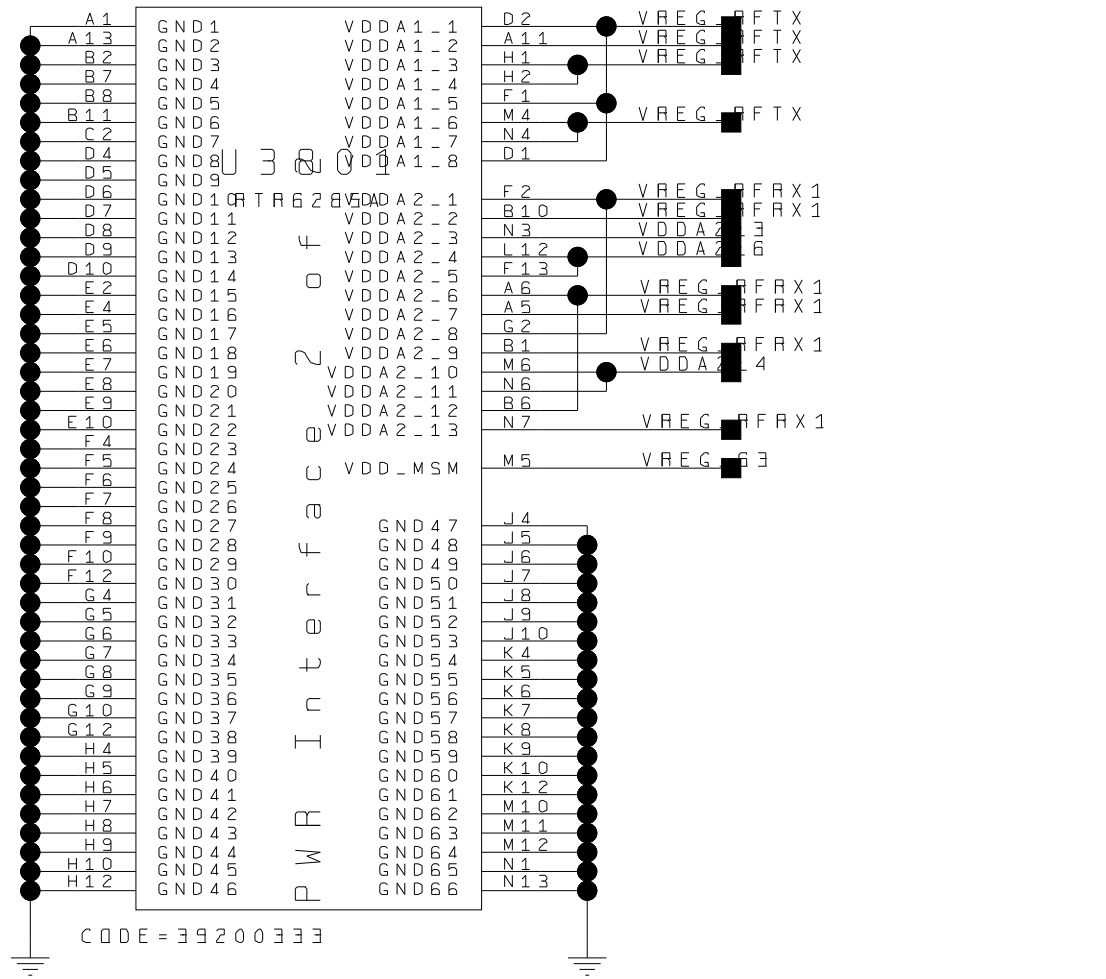


38 . RTR6285A CIRCUIT



The type and specification of the components refer

			NA	2012-10-25
			ECA NO	DATE
DESIGNER	WDXAINKUN	00188440		
		HD1U8833M		6721020_SCH6
REVIEWER	WDXHUI	68182		
		VERPART_NUMBER		SHEET 8 OF 38
		C	03021WY	HUAWEI TECH CO.,LTD.



The type and specification of the components refer

DESIGNER	WDXAINKUN	00188440	NA	2012-10-25
REVIEWER	PHUI 68182	HD1U8833M	ECA NO	DATE
		VERPART_NUMBER	6721020_SCH6Z	
		C	SHEET 9 OF 38	
		03021WY	HUWEI TECH CO.,LTD.	

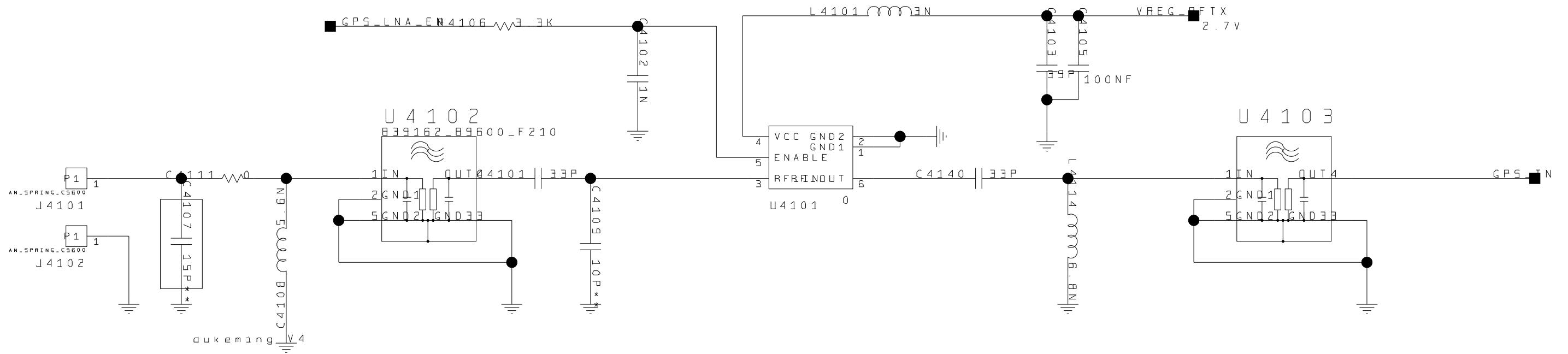
4 0 r e s e r v e d



The type and specification of the components refer

				NA	2012-10-25
				ECA NO	DATE
DESIGNER	QX AINKUN	00188440			
		HD1U8833M			6721020_5CH6
REVIEWER	PHUI 68182				
		VERPART_NUMBER			SHEET 30 OF 38
		C	03021WY		HUAWEI TECH CO.,LTD.

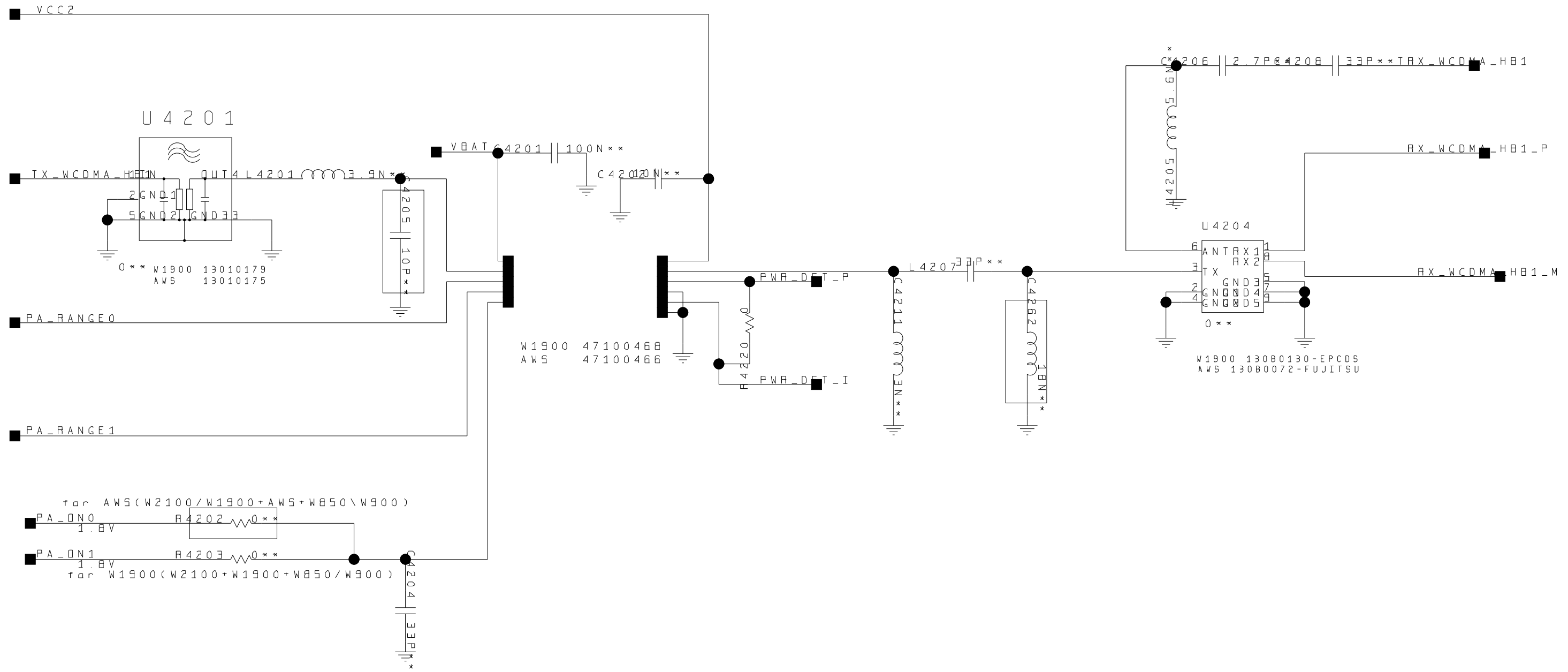
41.GPS



The type and specification of the components refer

				NA	2012-10-25
				ECA NO	DATE
DESIGNER	WDXAINKUN	00188440			
		HD1U8833M			6721020_SCH6
REVIEWER	WJHUI	68182			
		VERPART_NUMBER			SHEET 1 OF 38
		C	03021WY		HUAWEI TECH CO.,LTD.

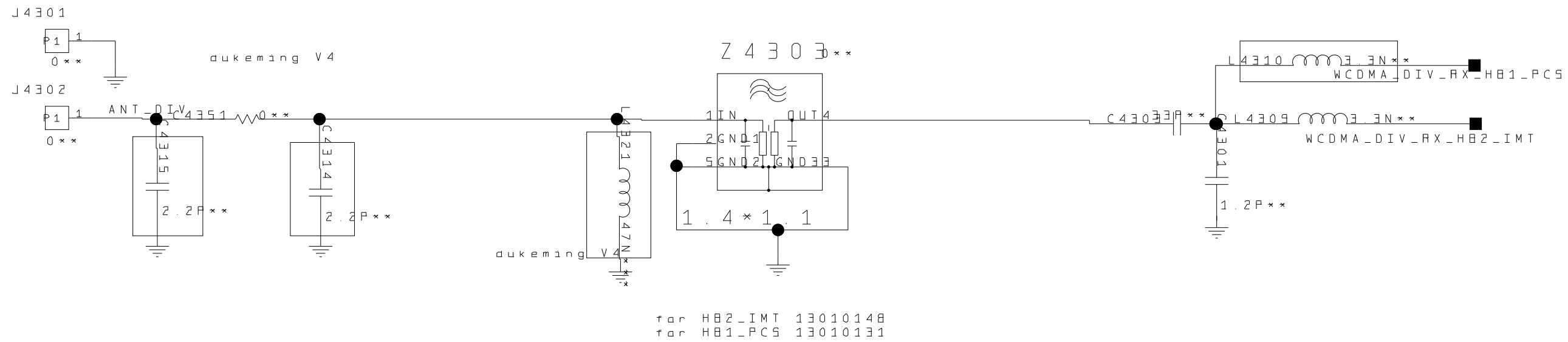
42. WCDMA PCS Power Amplifier



The type and specification of the components refer

				NA	2012-10-25
				ECA NO	DATE
DESIGNER	WDXAINKUN	00188440			
REVIEWER	WEDHUI	68182			
			VERPART_NUMBER		6721020_SCH6
					SHEET 2 OF 38
			C	03021WY	HUAWEI TECH CO.,LTD.

43 . U M T S R X D I V E R S I T Y

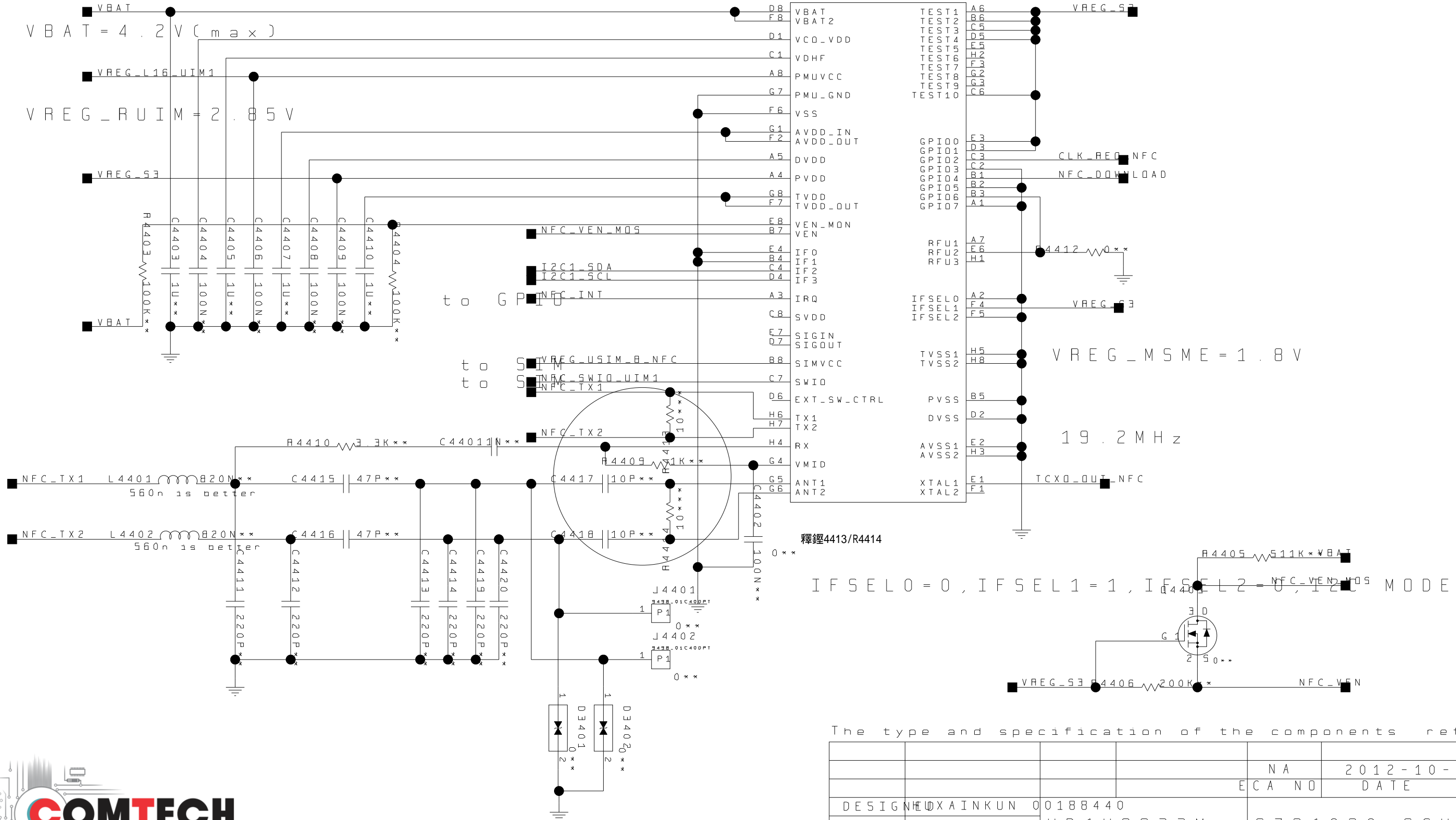


The type and specification of the components refer

				NA	2012-10-25
				ECA NO	DATE
DESIGNER	WU XIAINKUN	00188440			
		HD1U8833M			6721020_5CH6
REVIEWER	WU HUI	68182			
		VER PART NUMBER			SHEET 3 OF 38
		C	03021WY		HUAWEI TECH CO.,LTD.

44. NFC

IF0 = IF1 = GND, I2C ADDRESS is 0x50 (0x28 + R/W)



釋鑲4413/R4414

IFSEL0 = 0, IFSEL1 = 1, IFSEL2 = 0, I2C MODE

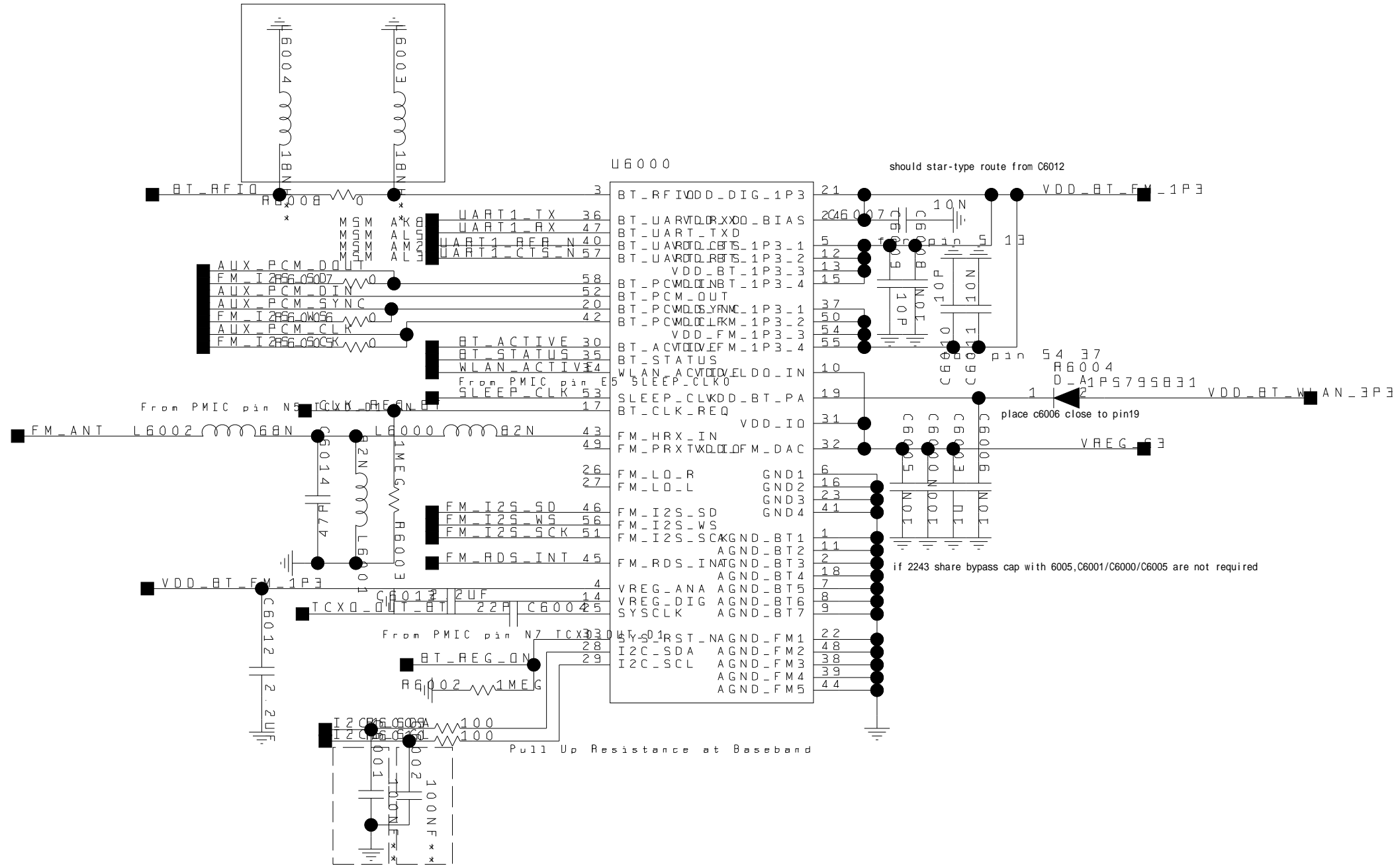
The type and specification of the components refer

DESIGN	HDX AINKUN	00188440	NA	2012-10-25
REVIEW	EDHUI	68182	ECA NO	DATE
		HD1U8833M		6721020_SCH6Z
		VERPART_NUMBER		SHEE34 OF 38
		C 03021WY		HUAWEI TECH CO.,LTD.



منبع مقاله

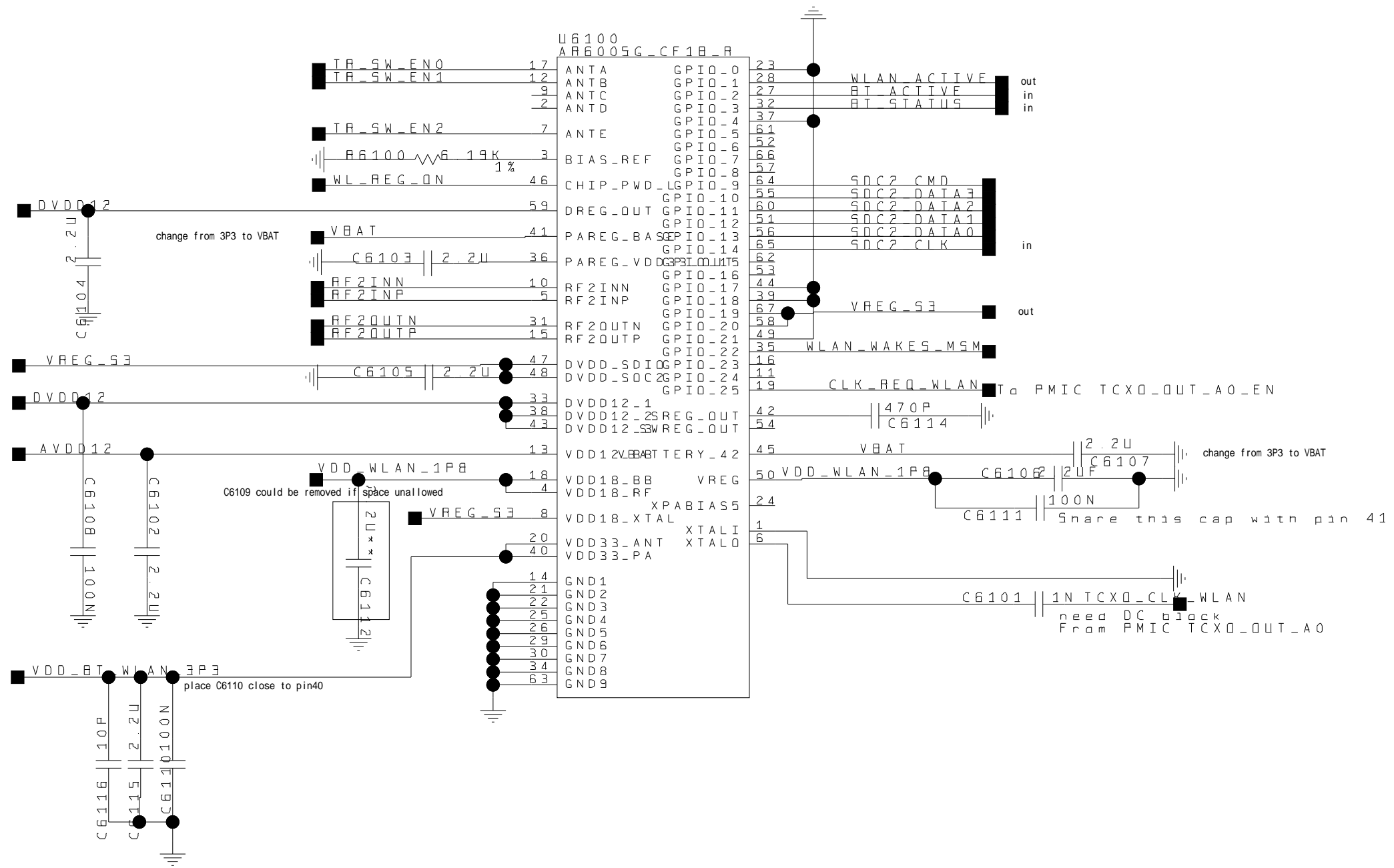
60.BT FM WCN2243



The type and specification of the components refer

				NA	2012-10-25
				ECA NO	DATE
DESIGNER	WDXAINKUN	00188440			
		HD1U8833M			6721020_5CH6Z
REVIEWER	EDHUI	68182			
		VERPART_NUMBER			SHEET 5 OF 38
		C	03021WY		HUAWEI TECH CO.,LTD.

61.AR6005.BB



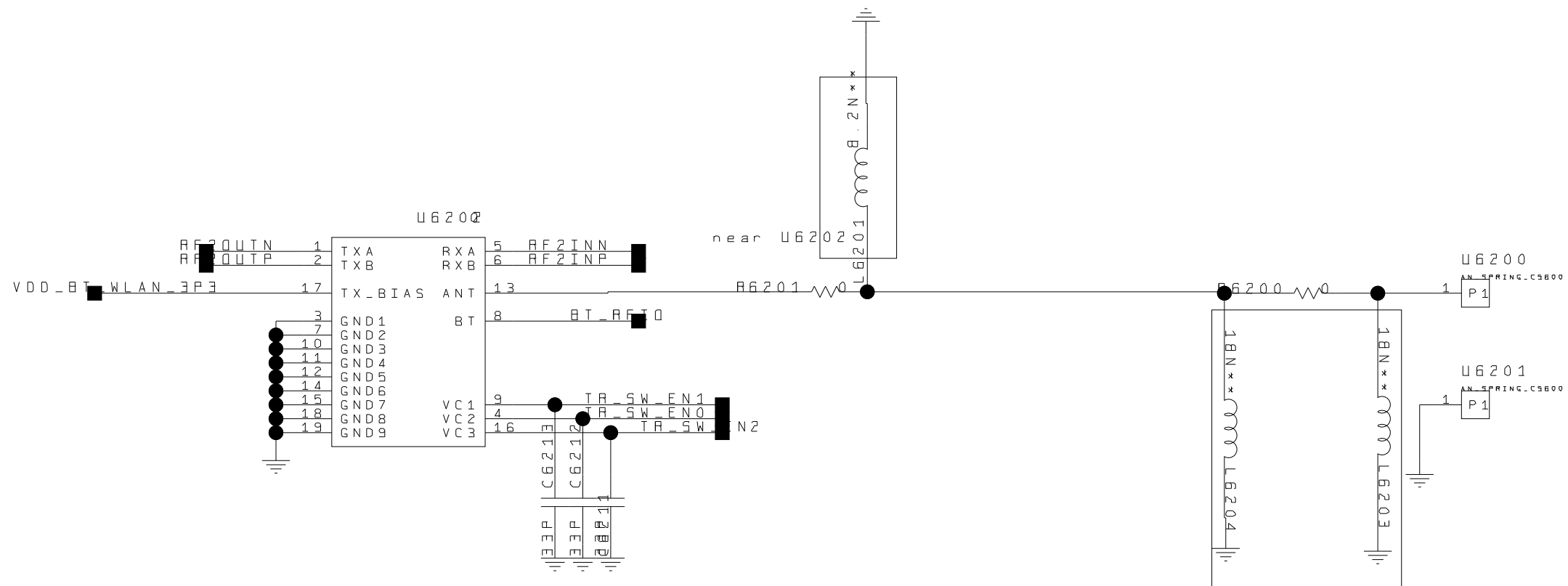
The type and specification of the components refer

HMODE[1, 0] interface mode	DESIGNER XIAINKUN 00188440
11	SDIO
10	GSPI

			NA	2012-10-25
			ECA NO	DATE
REVIEWED	HUI 68182	HD1U8833M	6721020_5CH6Z	
		VER PART NUMBER	SHEET 6 OF 38	
		C 03021WY	HUAWEI TECH CO.,LTD.	



62.AR6005 RF



ture table

V1	V2	J1-J2	J1-J3
0	V _{high}	Insertion loss	Isolation
V _{high} 0		Isolation	Insertion loss

V_{high}=3~5V

The type and specification of the components refer

				NA	2012-10-25
				ECA NO	DATE
DESIGNER	WDXAINKUN	00188440			
		HD1U8833M			6721020_5CH6
REVIEWER	EDHUI	68182			
		VER PART_NUMBER			SHEET 7 OF 38
		C	03021WY		HUAWEI TECH CO.,LTD.

