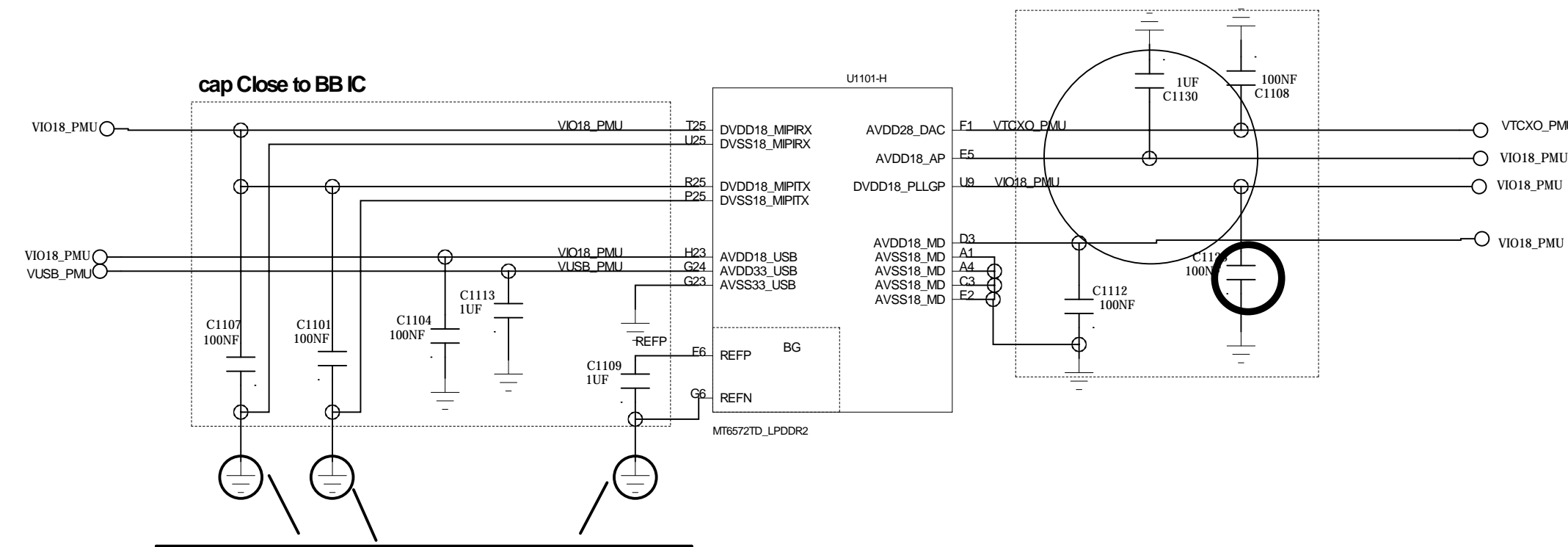




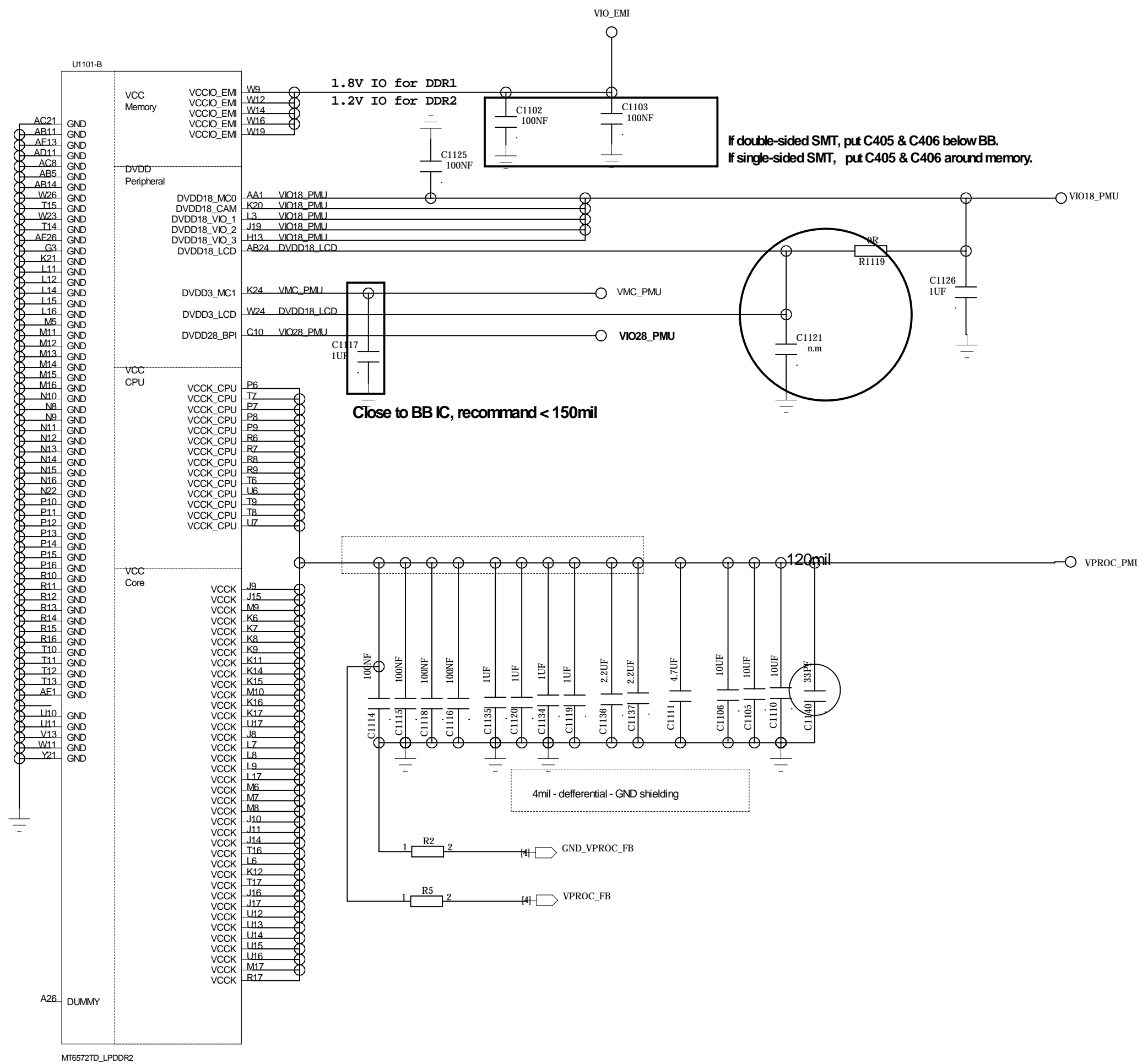
tamiraat.com منبع مقاله

REVISION RECORD			
LTR	ECO NO:	APPROVE	DATE



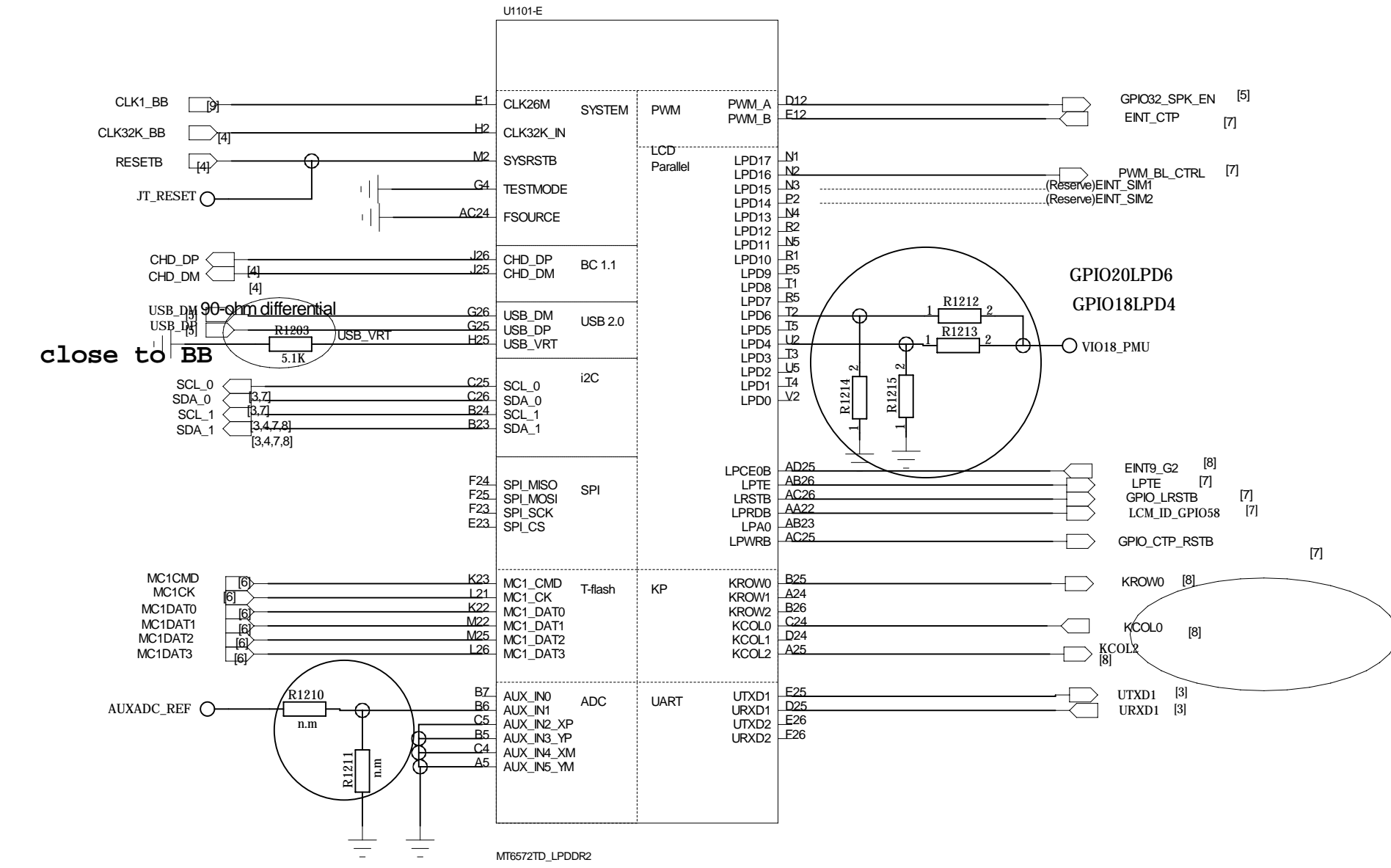
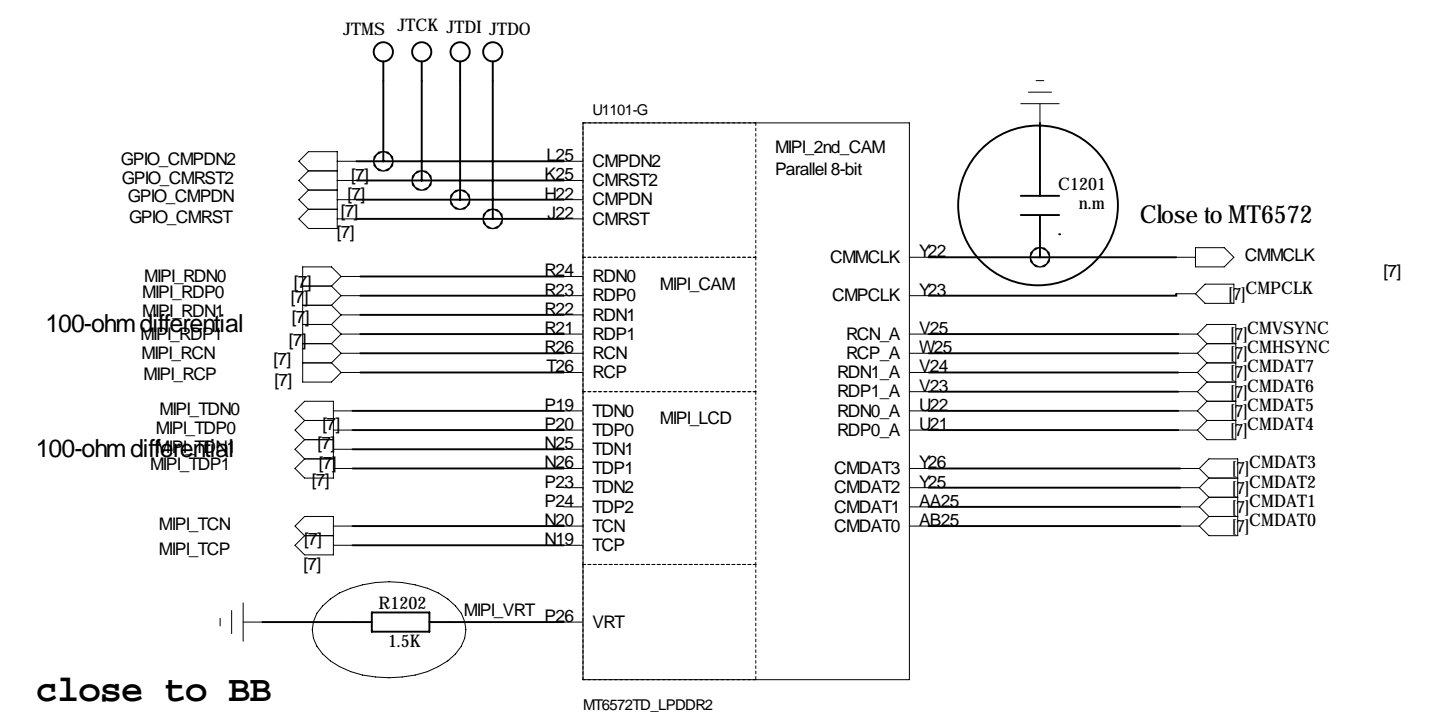
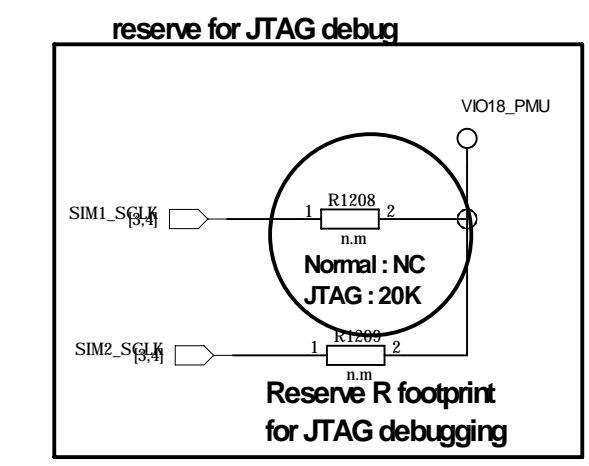
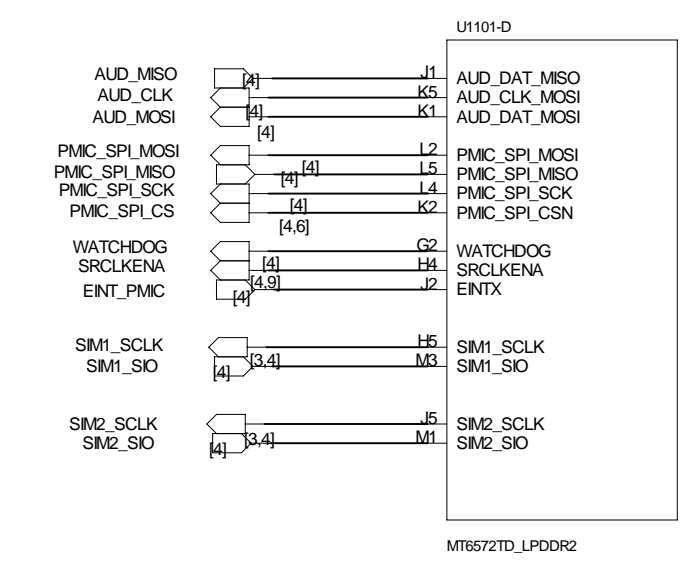
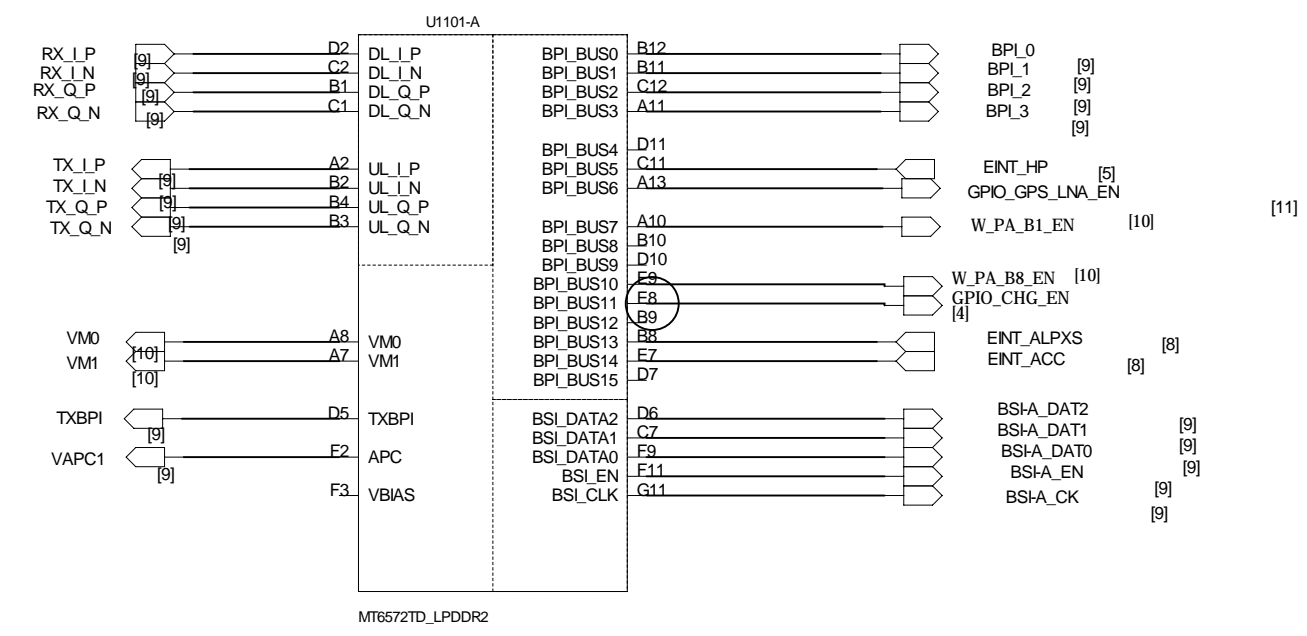
dedicate VSS ball, must return to cap then to main GND:

1. REFN(G6) => C109
2. DVSS18_MPRX(U25) => C107
3. DVSS18_MPTX(P25) => C101

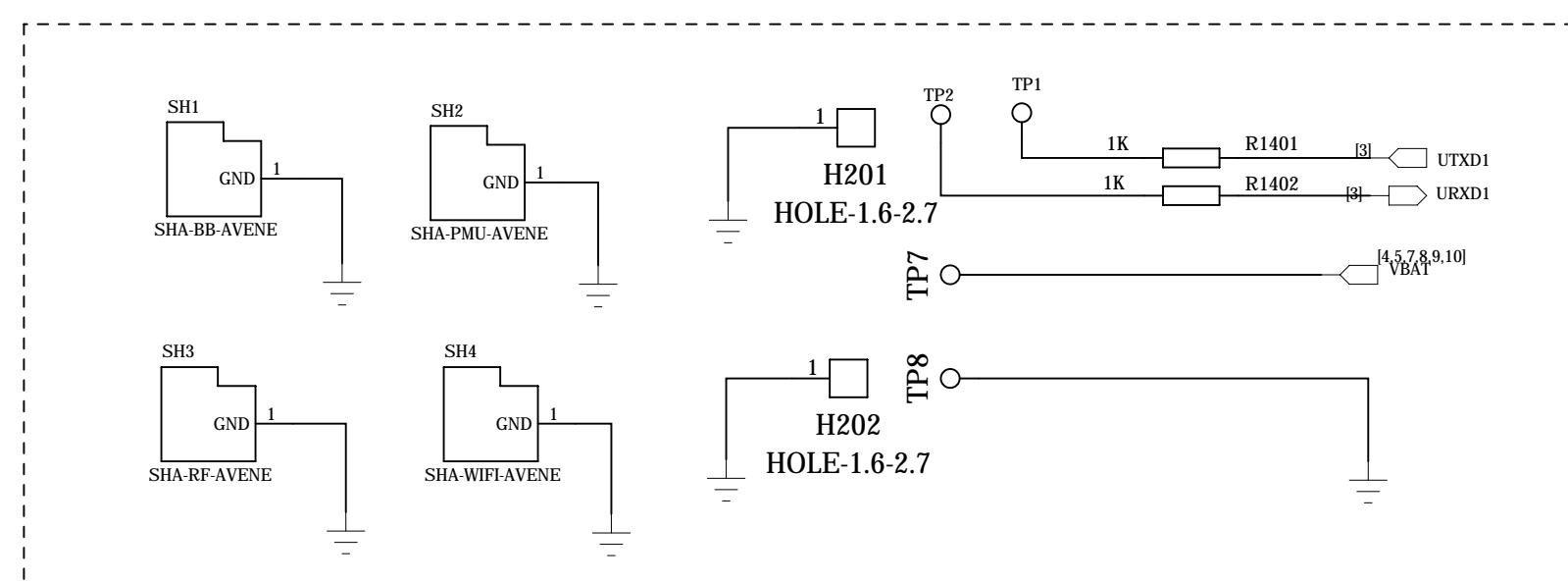
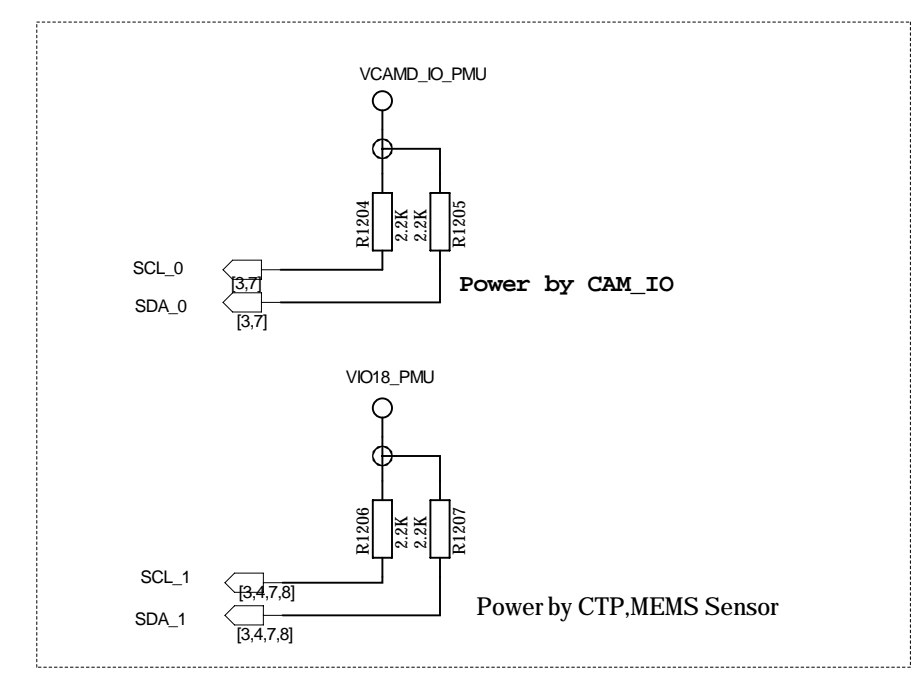


COMPANY: Lenovo MIDH_Phone			
TITLE: Avene_MB_H101			
DRAWN: Chenqm2	DATED: 20120828	CODE:	SIZE: D
CHECKED: <Checked By>	DATED: <Checked Date>	DRAWING NO: 11_MT6572TD_POWER	REV: H101
QUALITY CONTROL: <QC By>	DATED: <QC Date>	RELEASED: <Release Date>	SCALE: <Scale>
SHEET: 082			

REVISION RECORD		
LTR	ECO NO:	APPROVE DATE

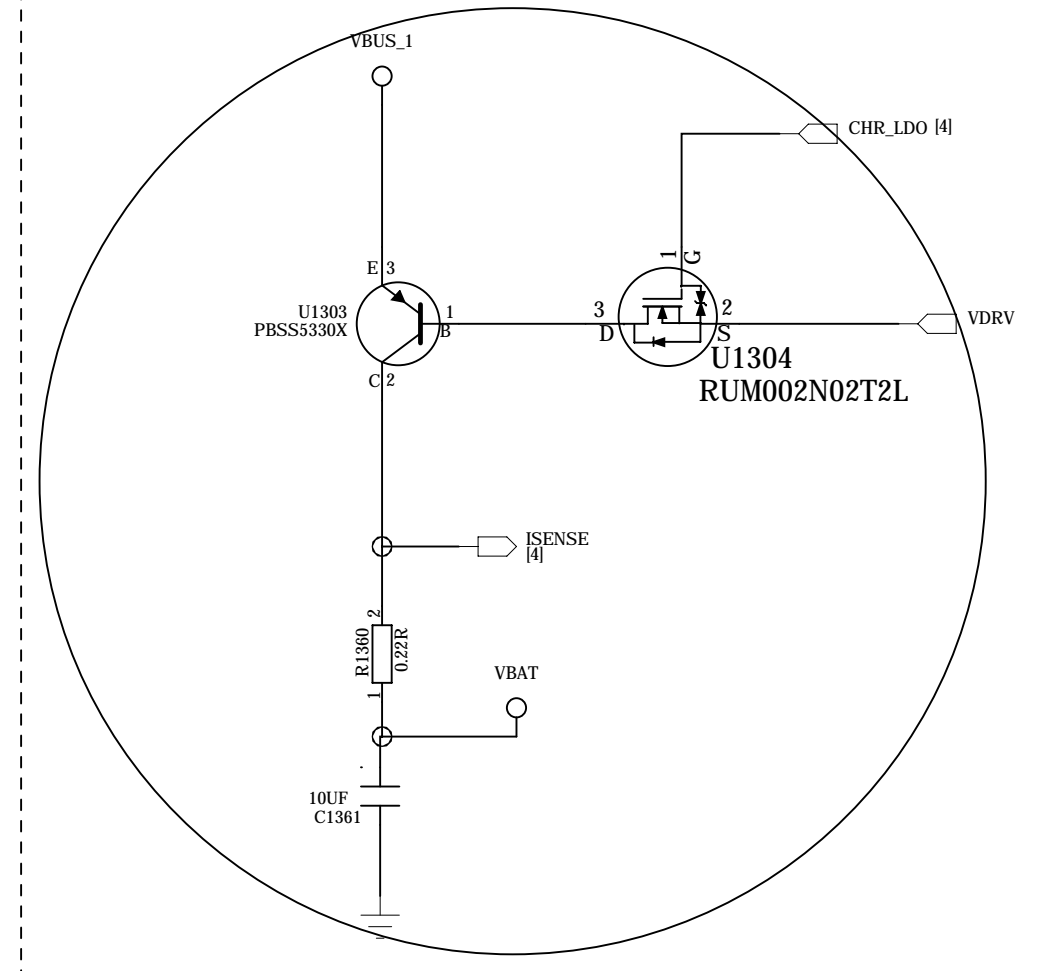


MT6572 support JTAG from below:
 1. KP (recommand)
 2. MC1
 3. CAM
 for JTAG pin out from MC1/CAM, refer to HW design notice

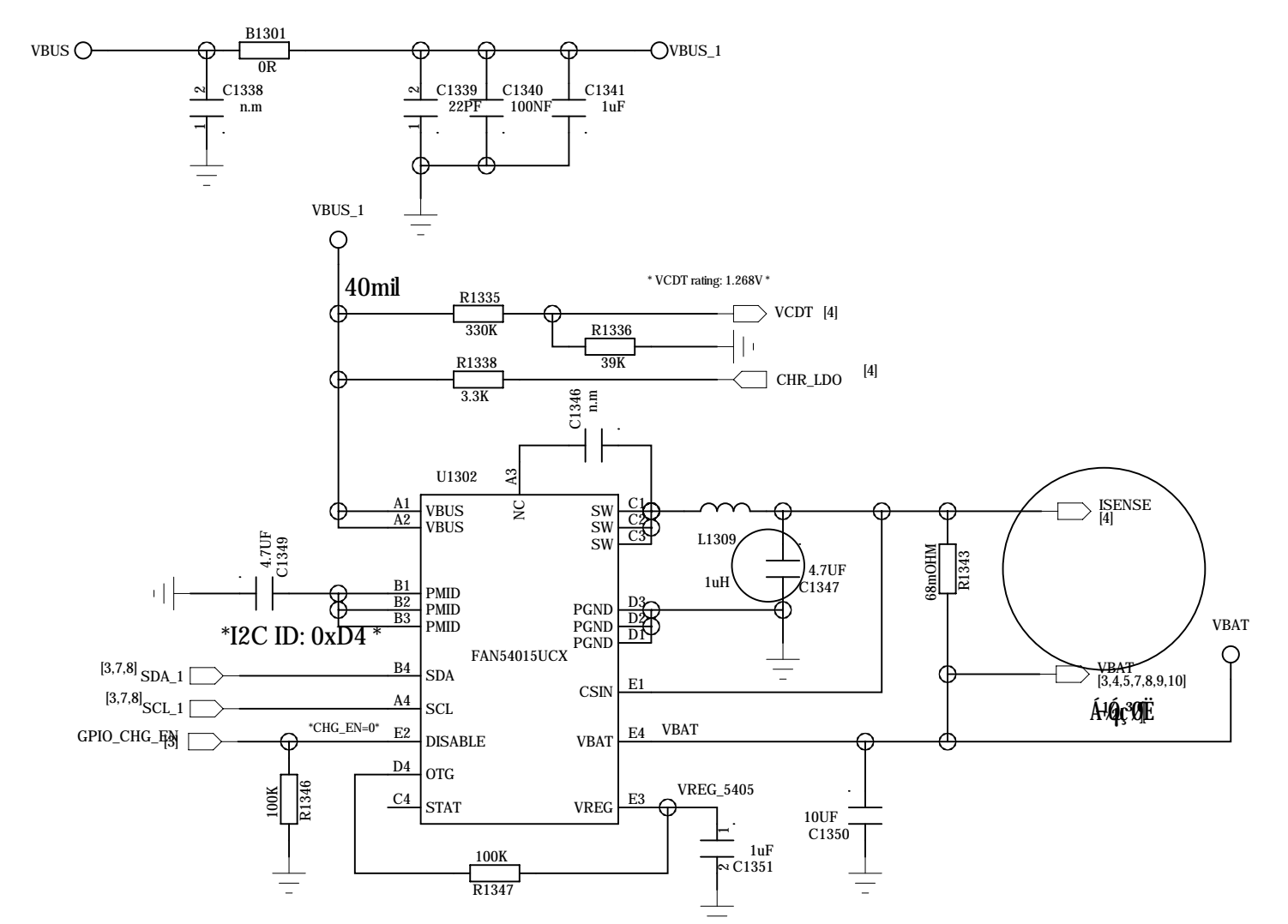


DRAWN: Chenqm2		DATED: 20120828	
CHECKED: <Checked By>		DATED: <Checked Date>	
QUALITY CONTROL: <QC By>		DATED: <QC Date>	
RELEASED: <Released By>		DATED: <Release Date>	
COMPANY: Lenovo MIDH_Phone		TITLE: Avene_MB_H101	
CODE: <Code>	SIZE: D	DRAWING NO: 12_MT6572TD_BASEBAND	REV: H101
SCALE: <Scale>		SHEET: 08/2	

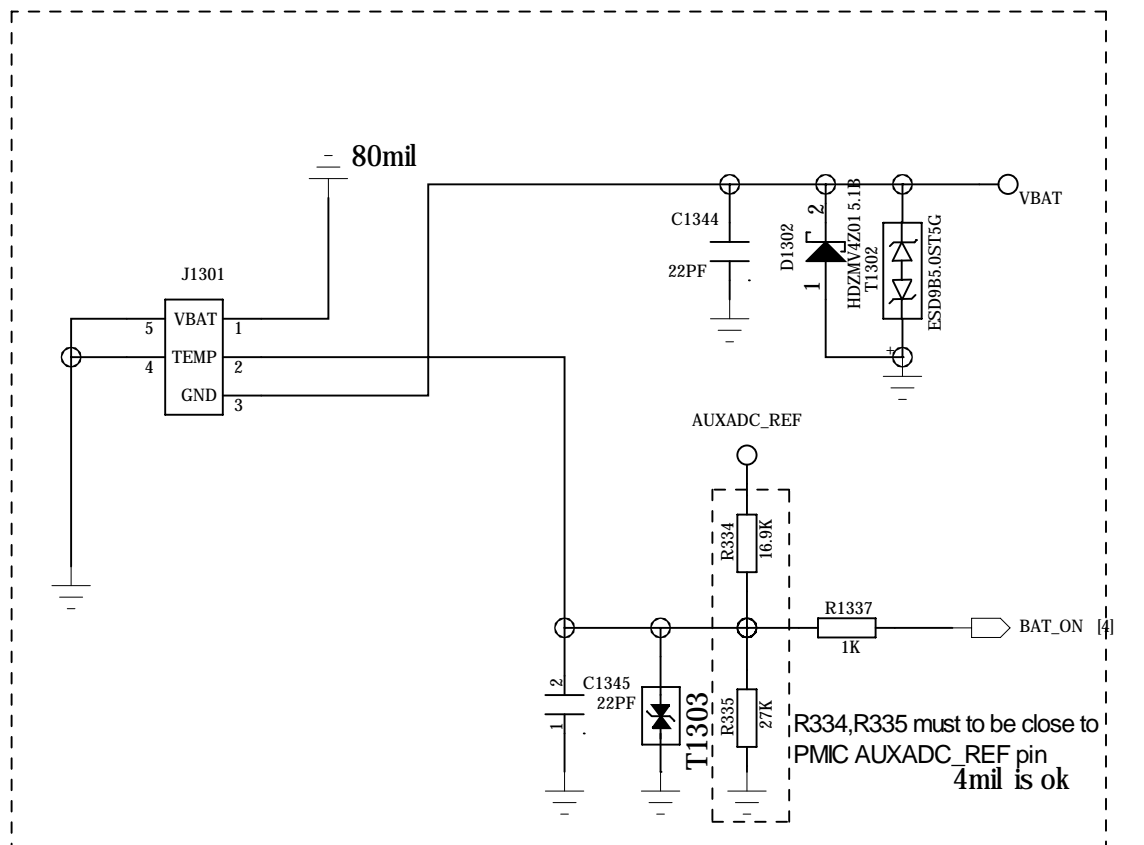
REVISION RECORD			
LTR	ECO NO:	APPROVE	DATE



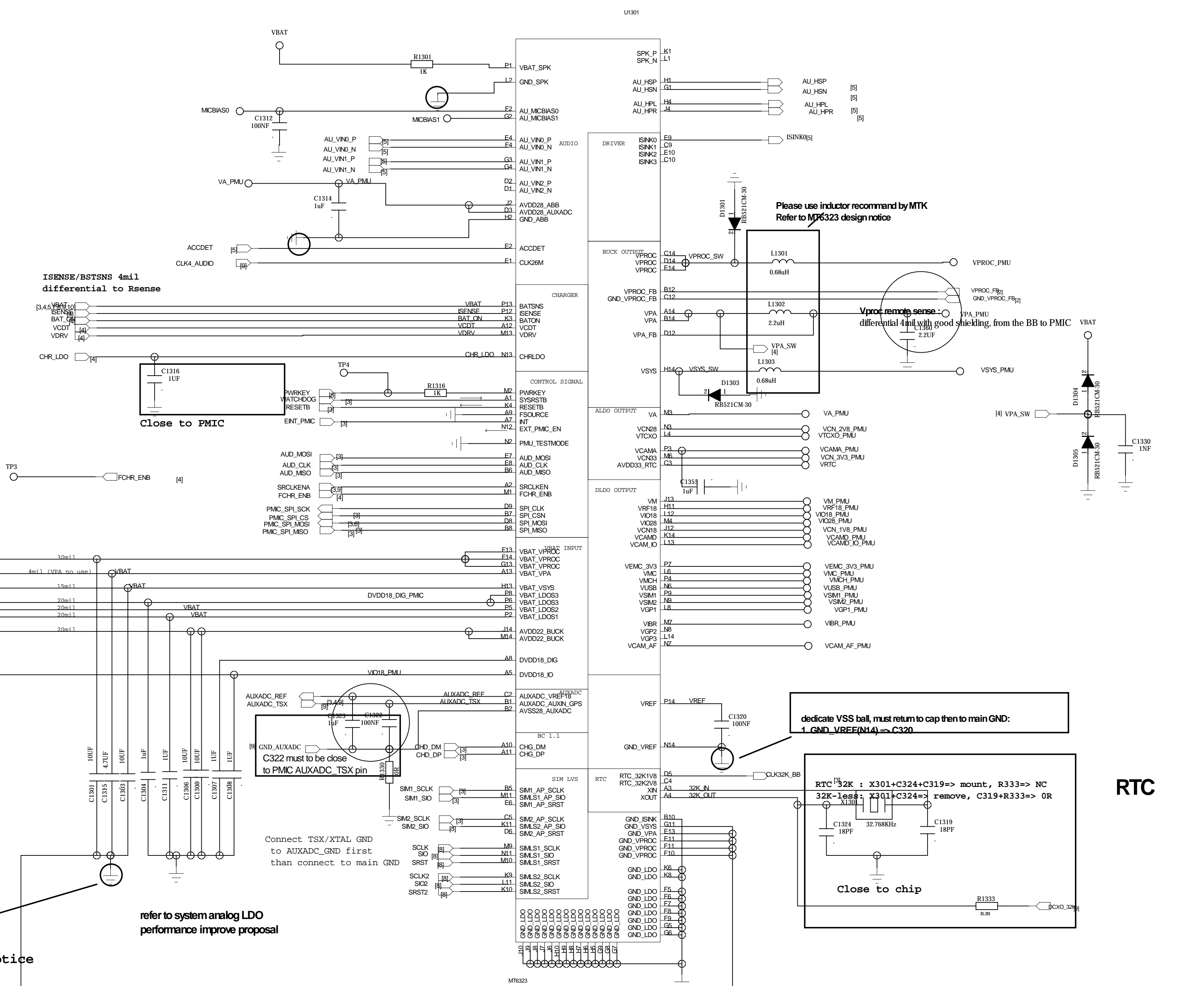
Liner Charge



Switching Charge



BAT. CONN.
Reserve layout for 4 pin BAT



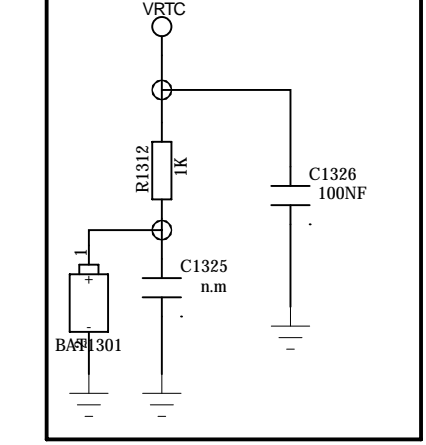
Refer to MT6323 design notice for Buck GND layout rule

refer to system analog LDO performance improve proposal

C322 must be close to PMIC AUXADC_TSX pin

dedicate VSS ball, must return to cap then to main GND: 1 GND_VREF(N14) -> C320

Close to chip



=> for longer RTC time sustain after battery remove,

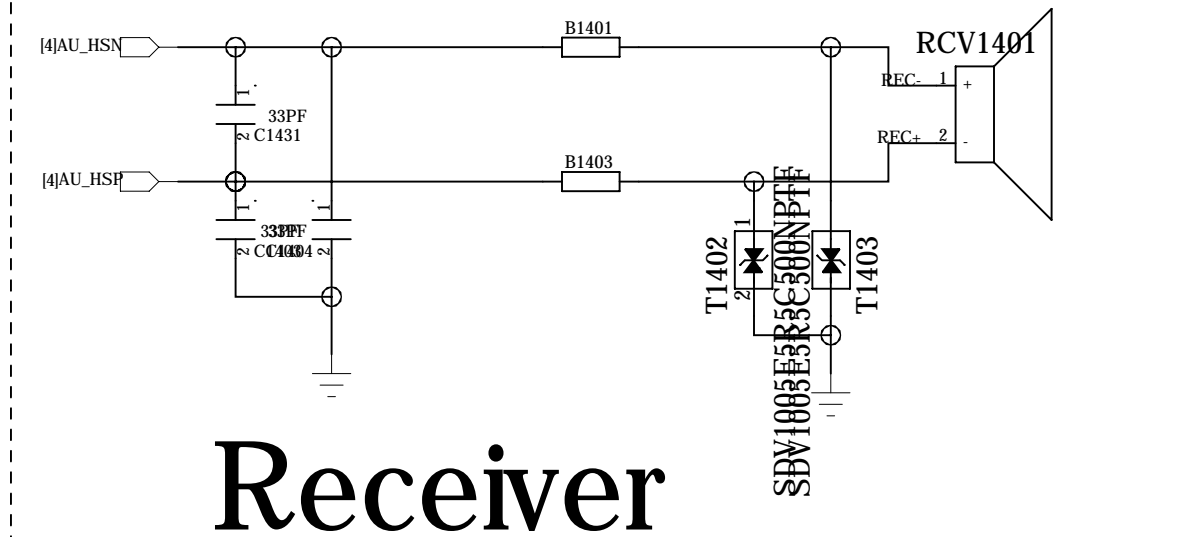
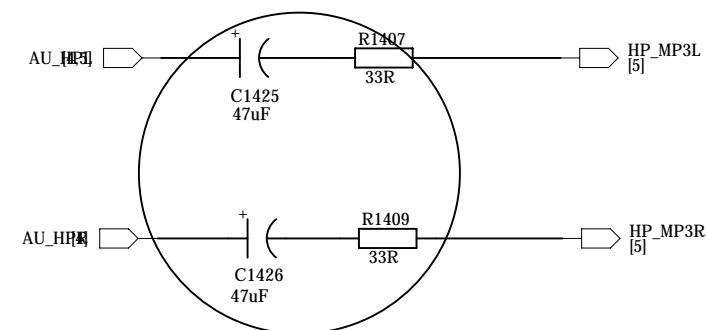
COMPANY:		Lenovo MIDH_Phone		
TITLE:		Avene_MB_H101		
DRAWN: Chenqm2	DATED: 20120828	CODE:	SIZE:	DRAWING NO:
CHECKED: -Checked By>	DATED: -Checked Date>	<Code>	D	13_MT6323
QUALITY CONTROL: -QC By>	DATED: -QC Date>	SCALE:Scale>		H101
RELEASED: -Released By>	DATED: -Release Date>	SHEET: OH2		



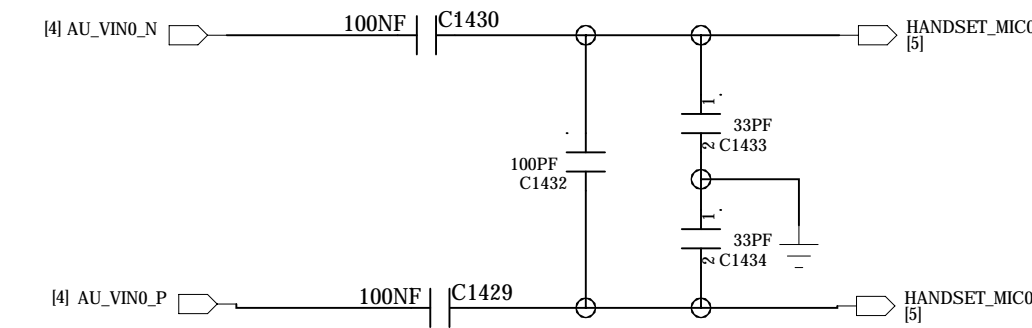


tamiraat.com منبع مقاله

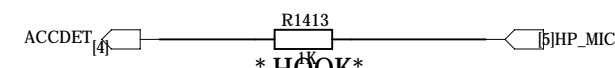
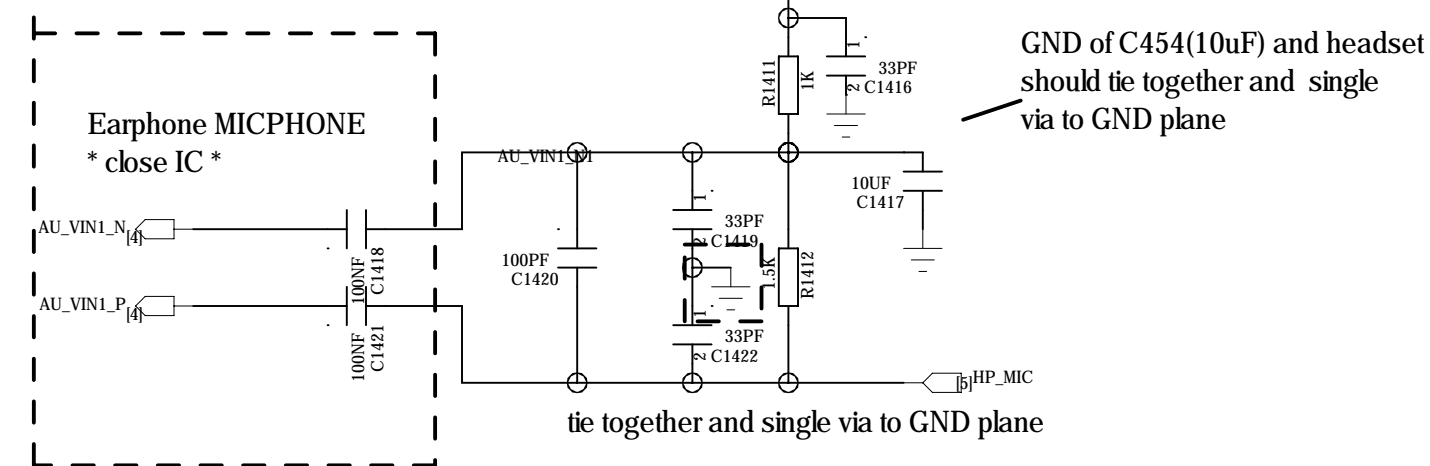
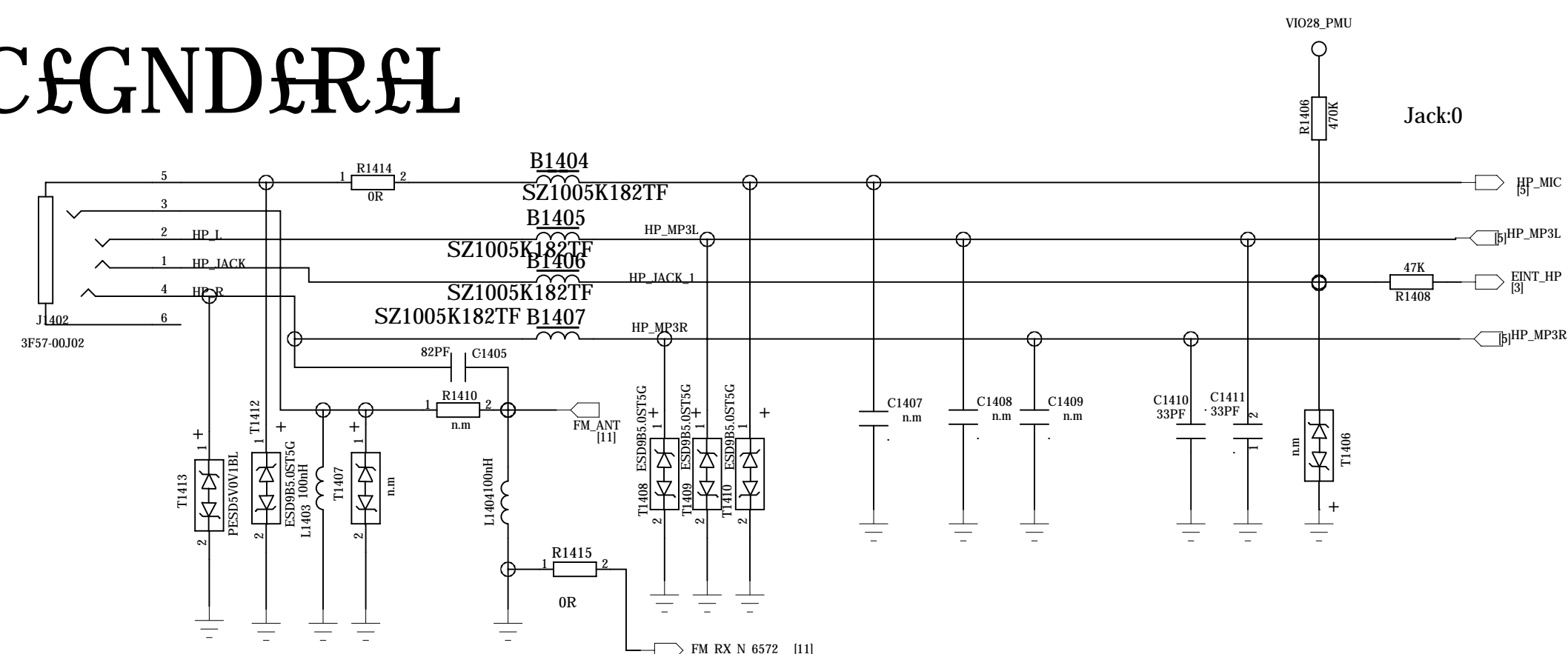
REVISION RECORD			
LTR	ECO NO:	APPROVE	DATE



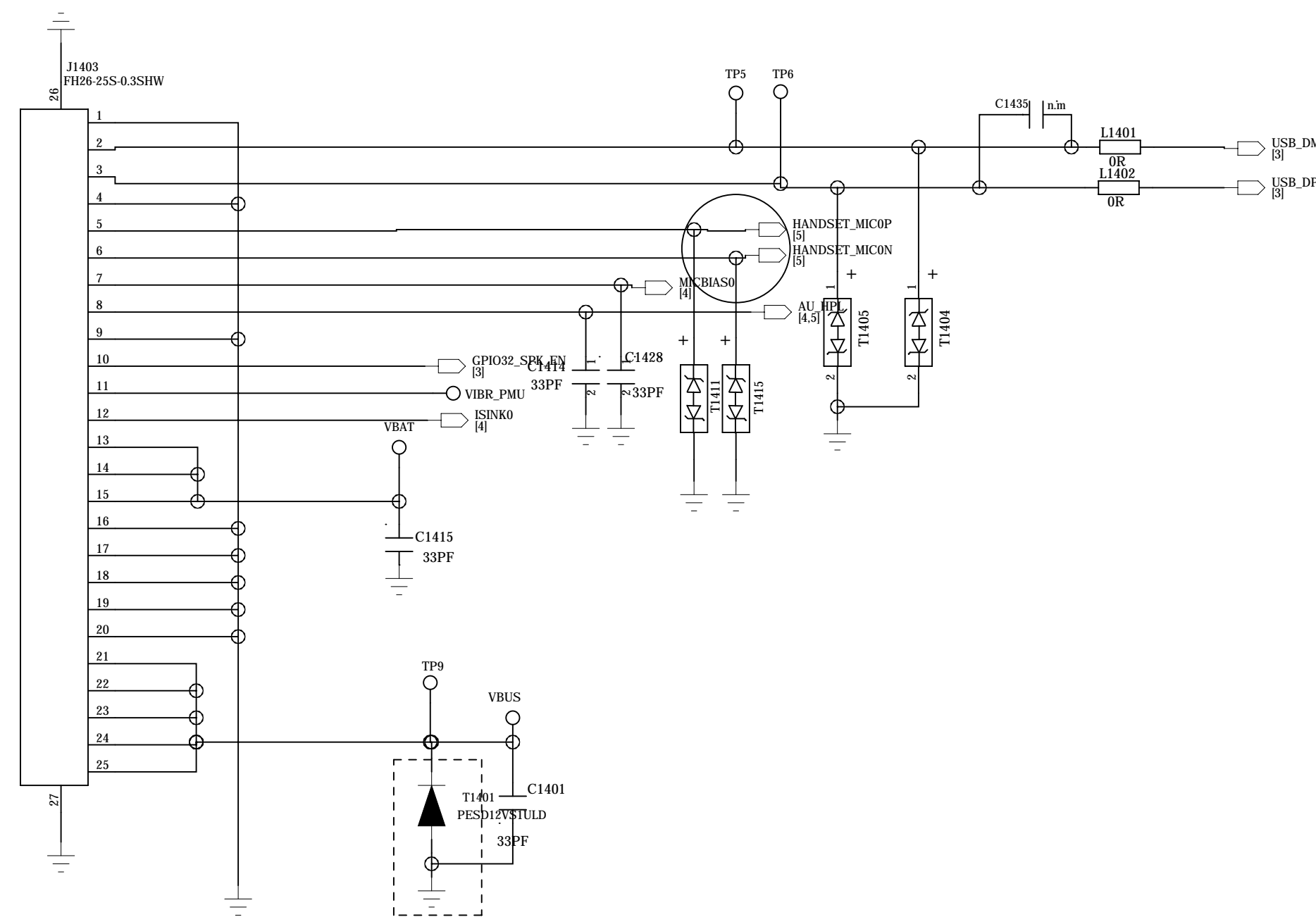
Receiver



MIC & GND & REL



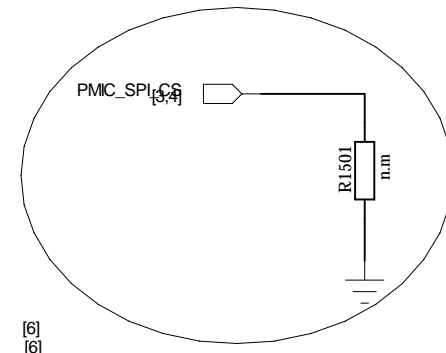
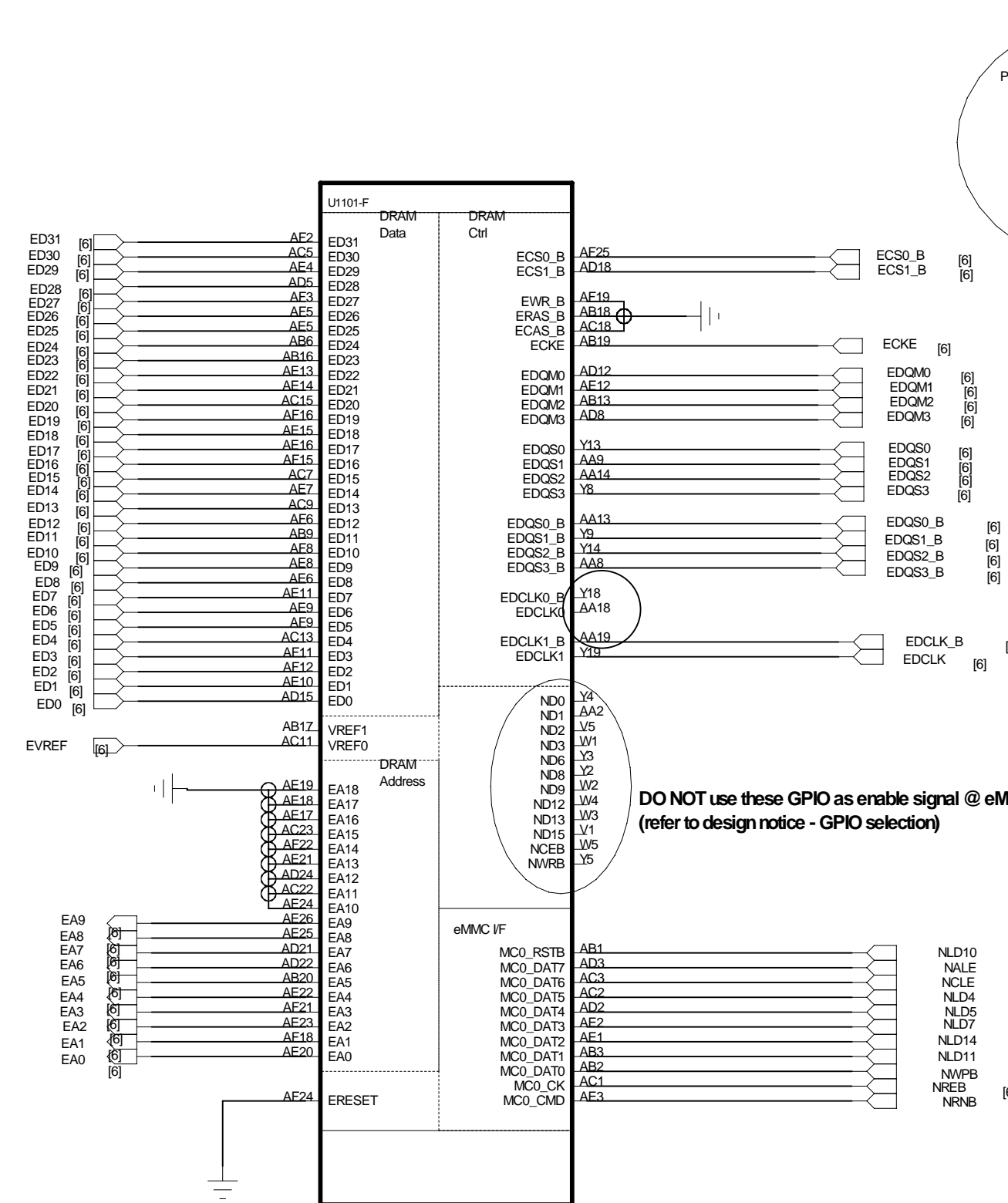
F3.5 Earphone



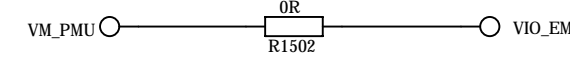
Sub Board Connector

COMPANY: Lenovo MIDH_Phone				
TITLE: Avene_MB_H101				
DRAWN: Chenqm2	DATED: 20120828	CODE:	SIZE: D	DRAWING NO: 14_AUDIO_USB
CHECKED: <Checked By>	DATED: <Checked Date>	<Code>		REV: H101
QUALITY CONTROL: <QC By>	DATED: <QC Date>			
RELEASED: <Released By>	DATED: <Release Date>	SCALE: Scale		SHEET: OR2

REVISION RECORD			
LTR	ECO NO:	APPROVE	DATE

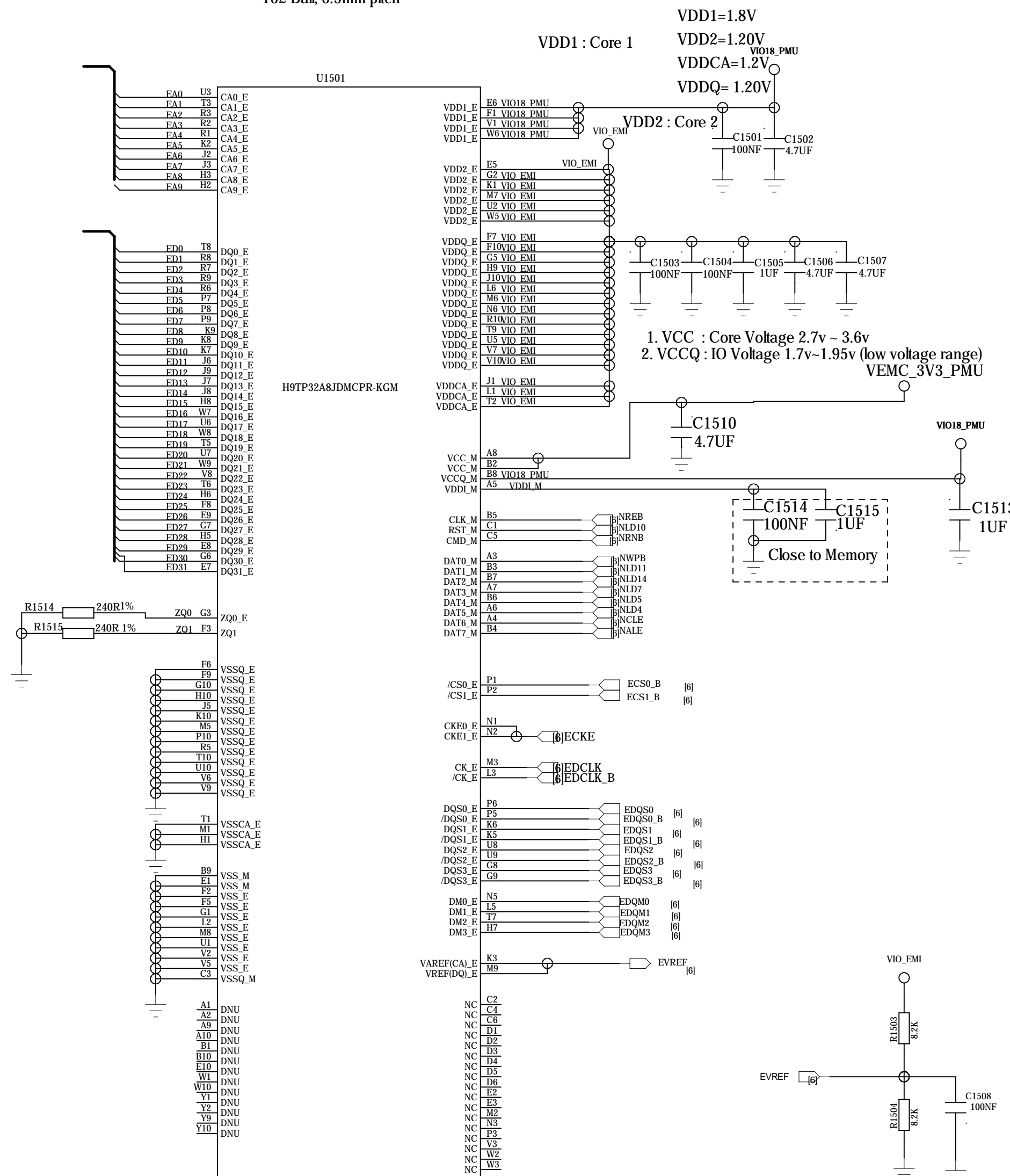


HW trapping PIN
 20K: VM=1.8V
 NC : VM=1.2V

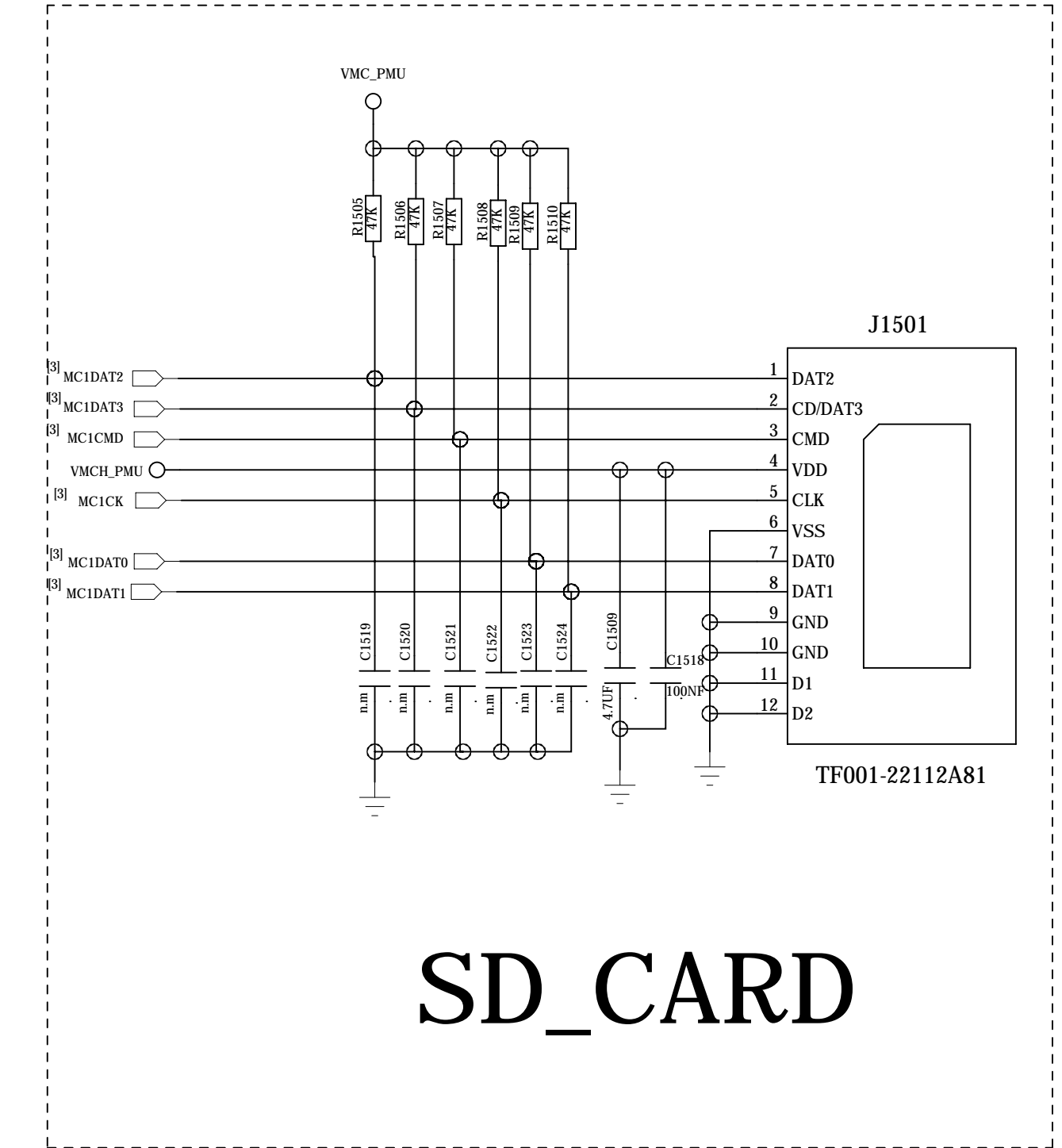


eMMC+LPDDR2

162 Ball, 0.5mm pitch



Please make sure the ball map is match to the MCP type you selected

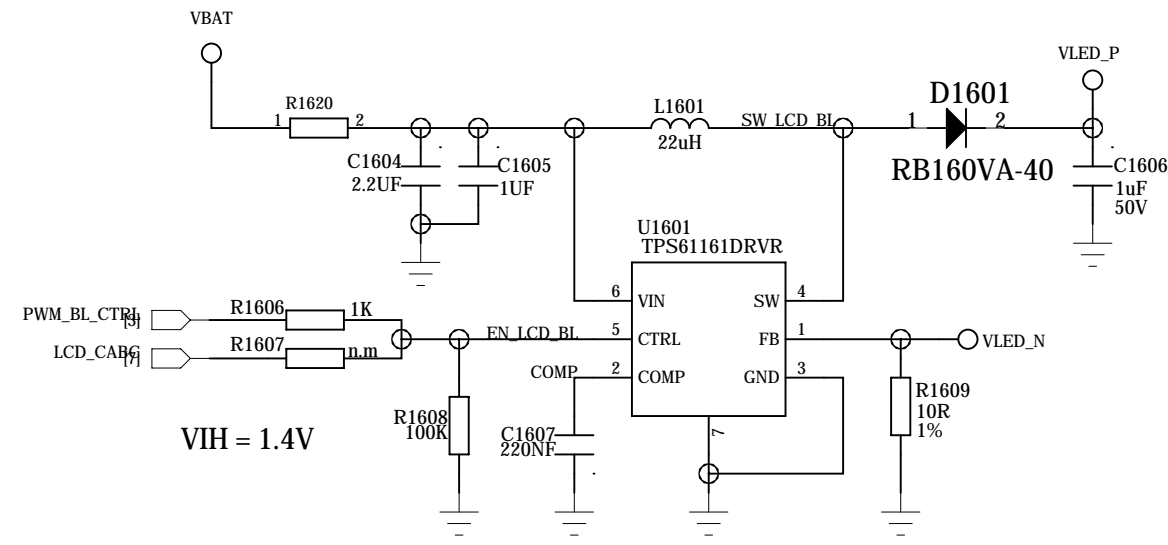
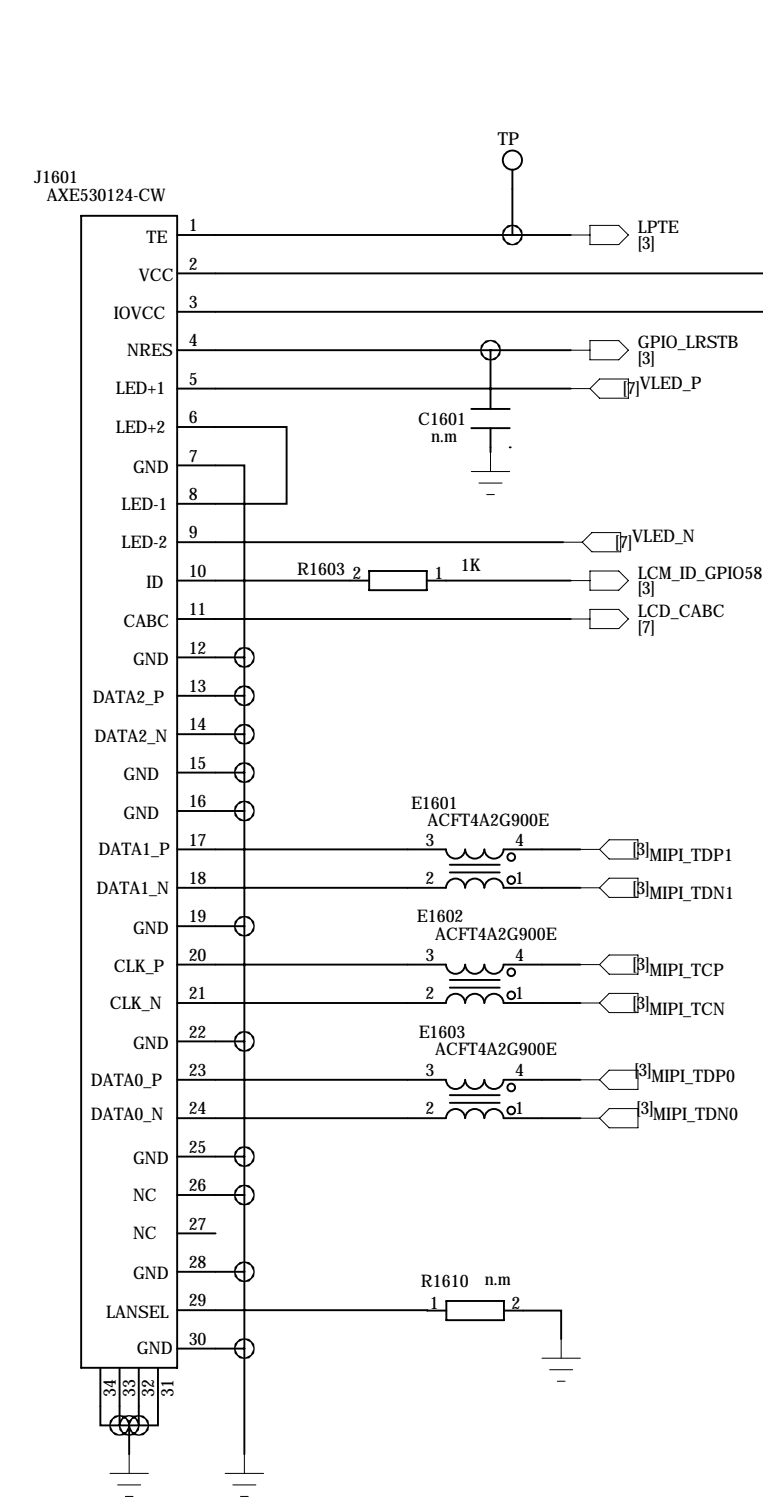


SD_CARD



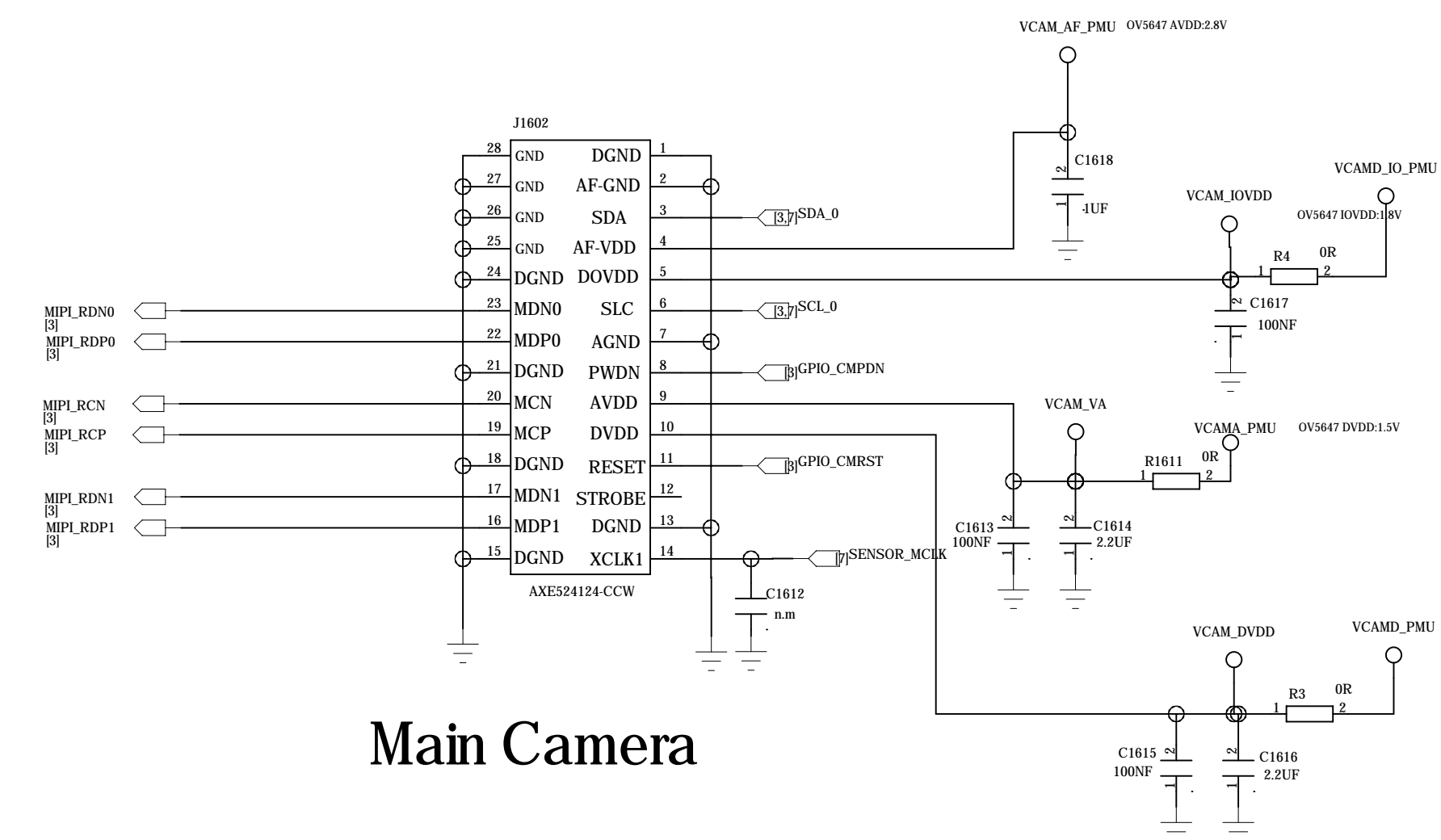
COMPANY: Lenovo MIDH_Phone				
TITLE: Avene_MB_H101				
DRAWN: Chenqm2	DATED: 20120828	CODE:	SIZE: D	DRAWING NO: 15_MEMORY_SDCARD
CHECKED: <Checked By>	DATED: <Checked Date>	<Code>		REV: H101
QUALITY CONTROL: <QC By>	DATED: <QC Date>	SCALE: <Scale>		SHEET: 08/2
RELEASED: <Released By>	DATED: <Release Date>			

REVISION RECORD			
LTR	ECO NO:	APPROVE	DATE

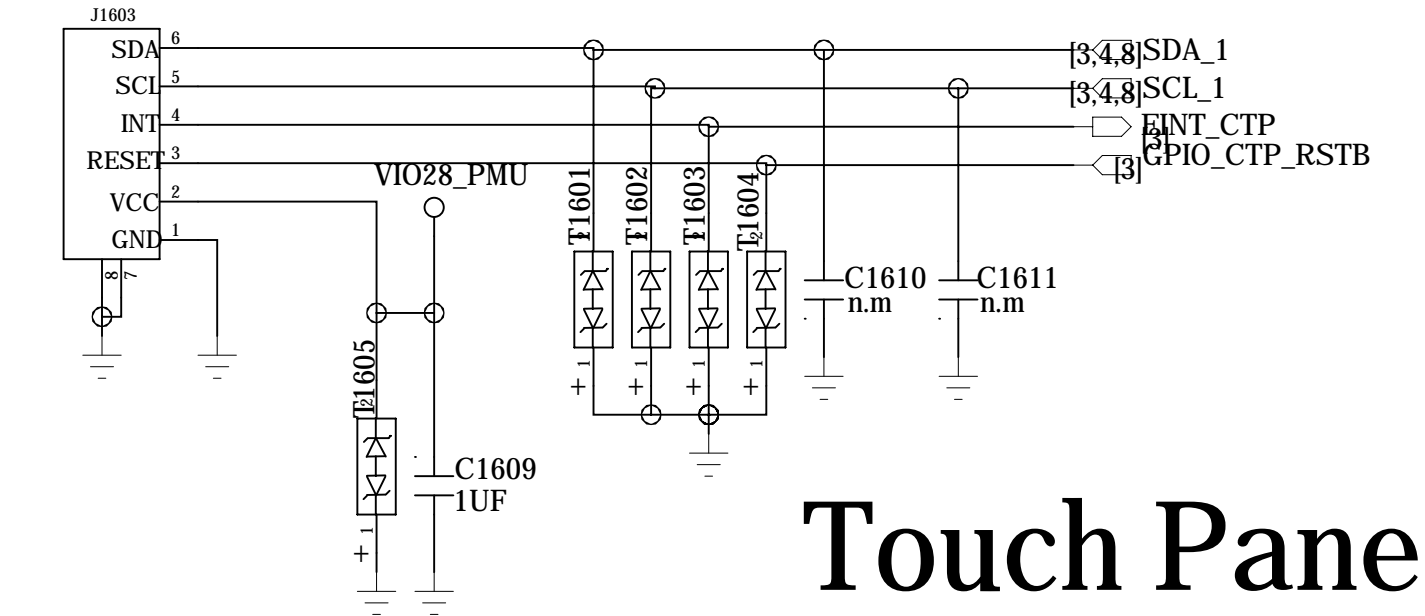
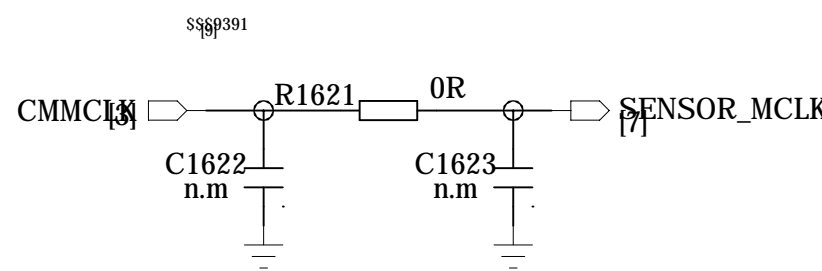
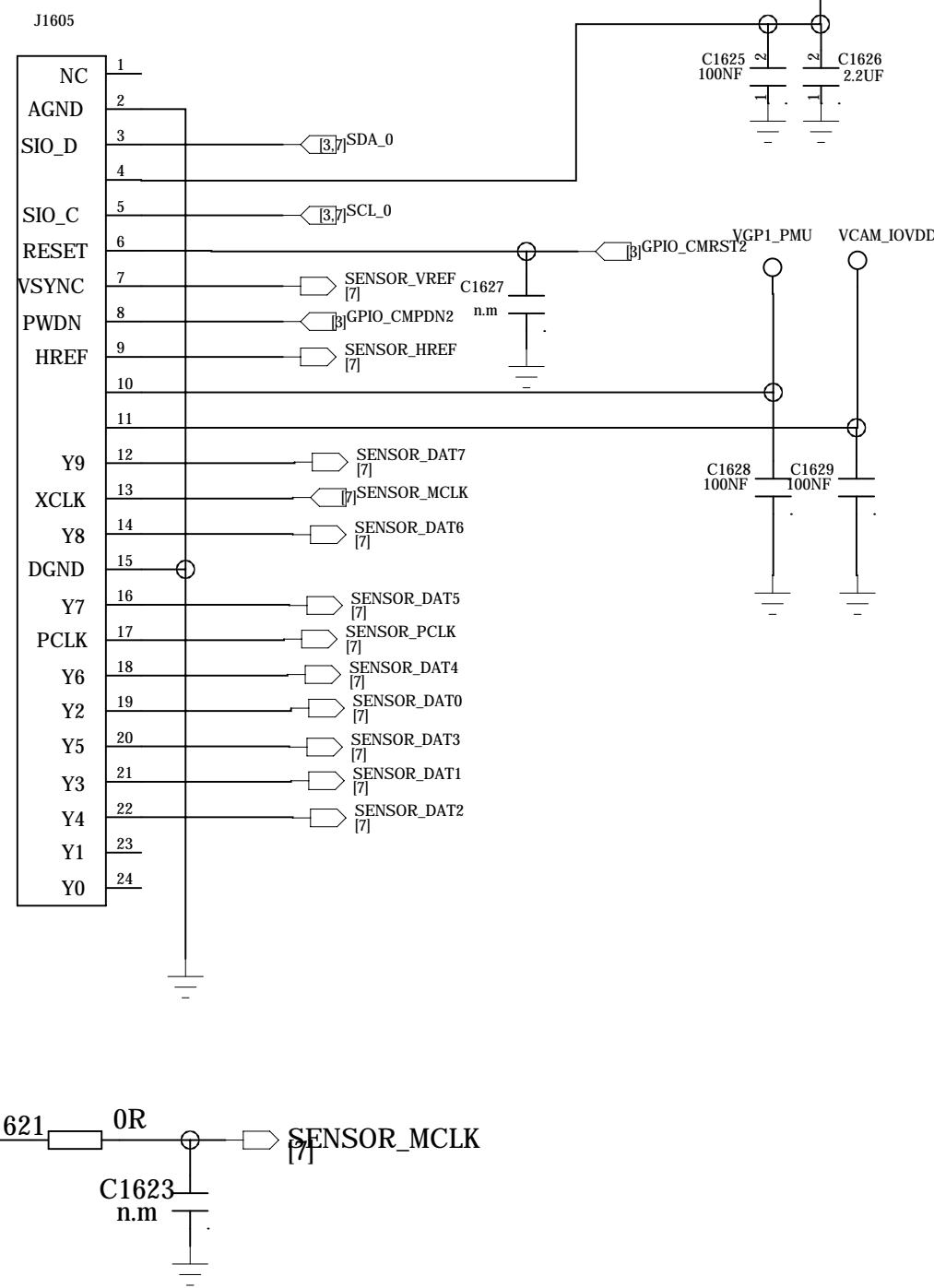
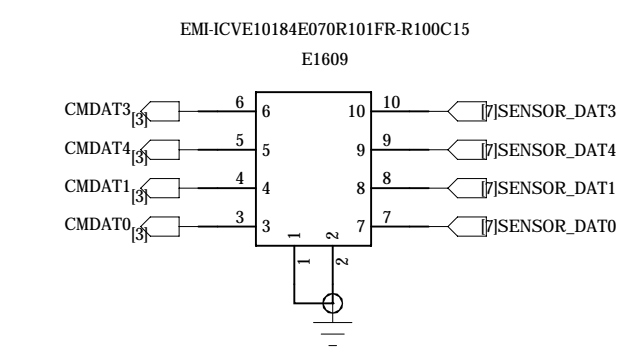
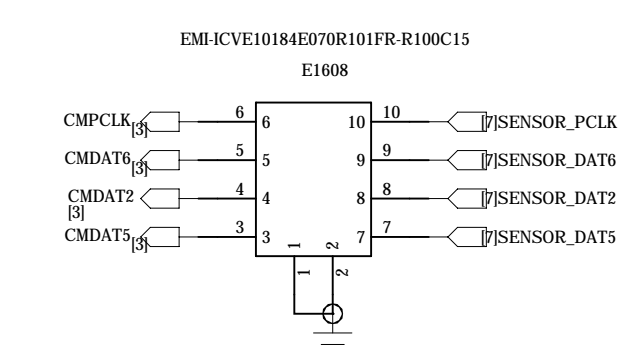
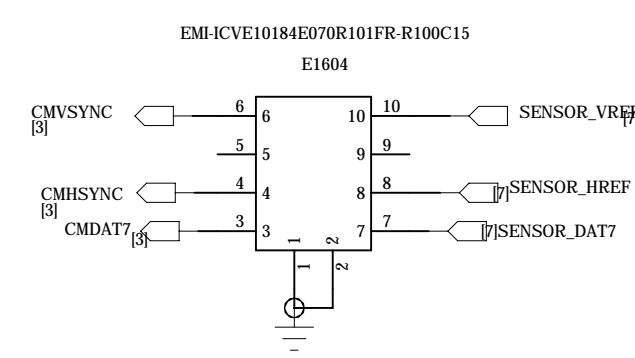


LCD BACKLIGHT

FLASH LED & DRIVER



Main Camera

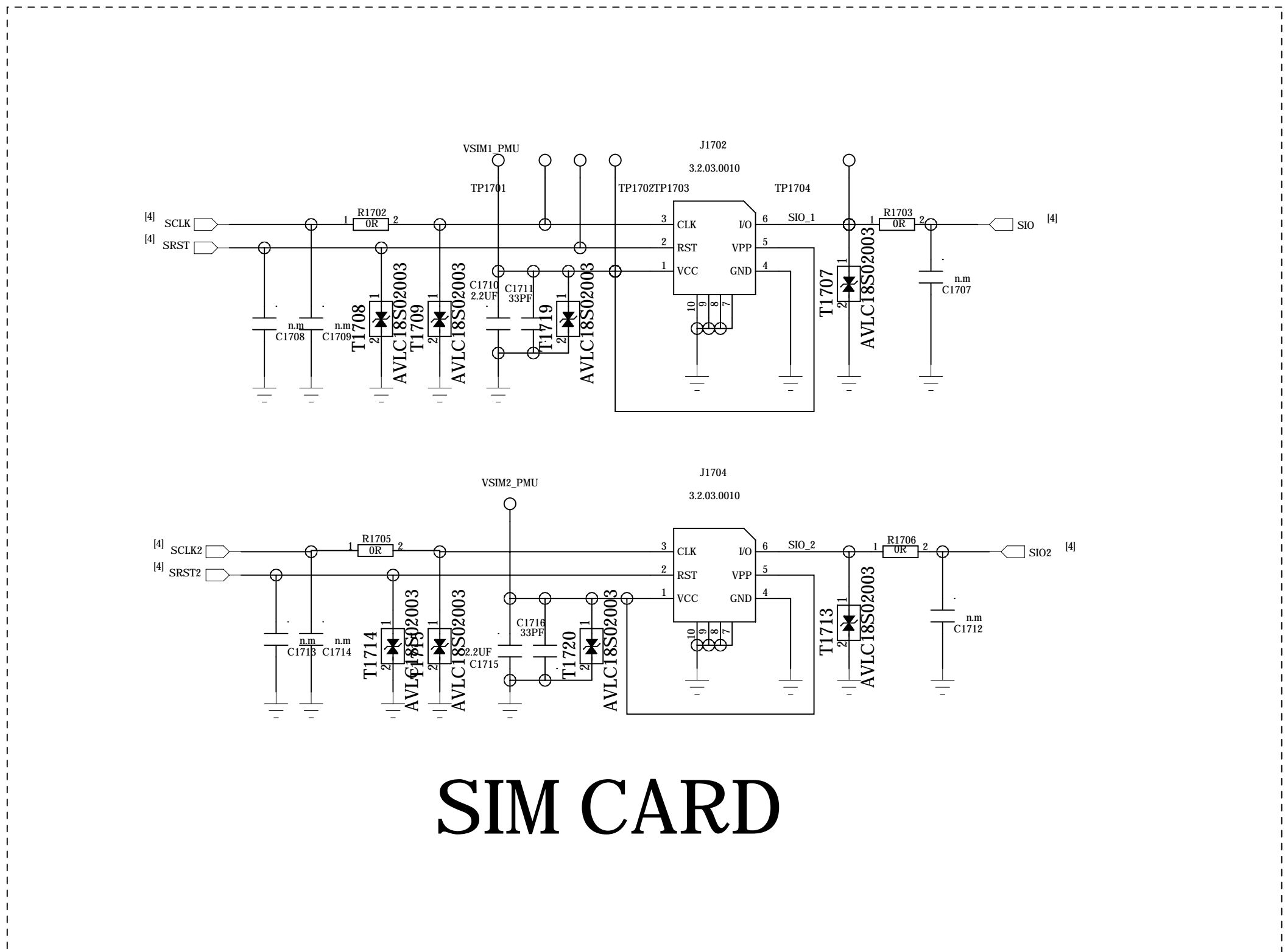
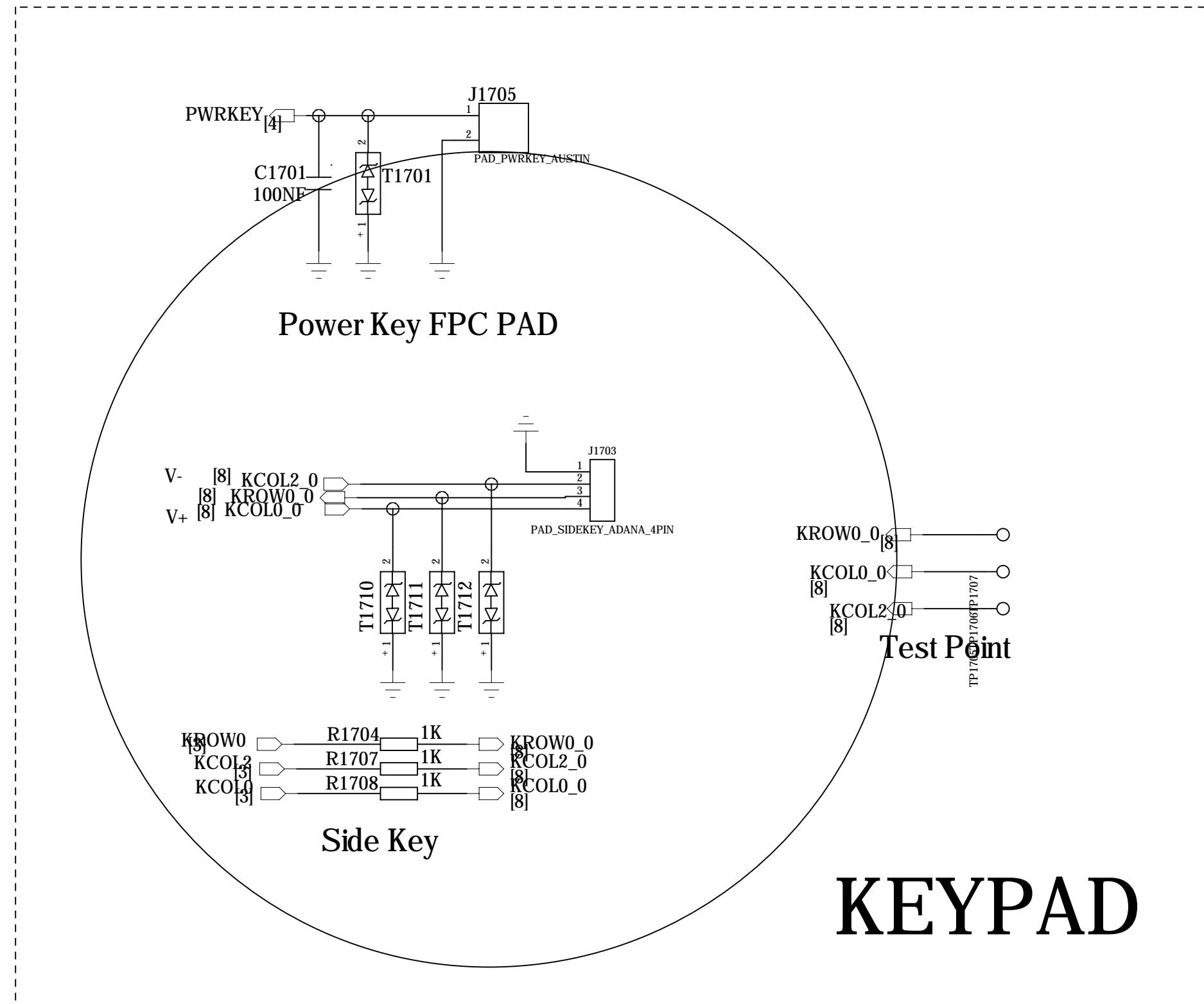
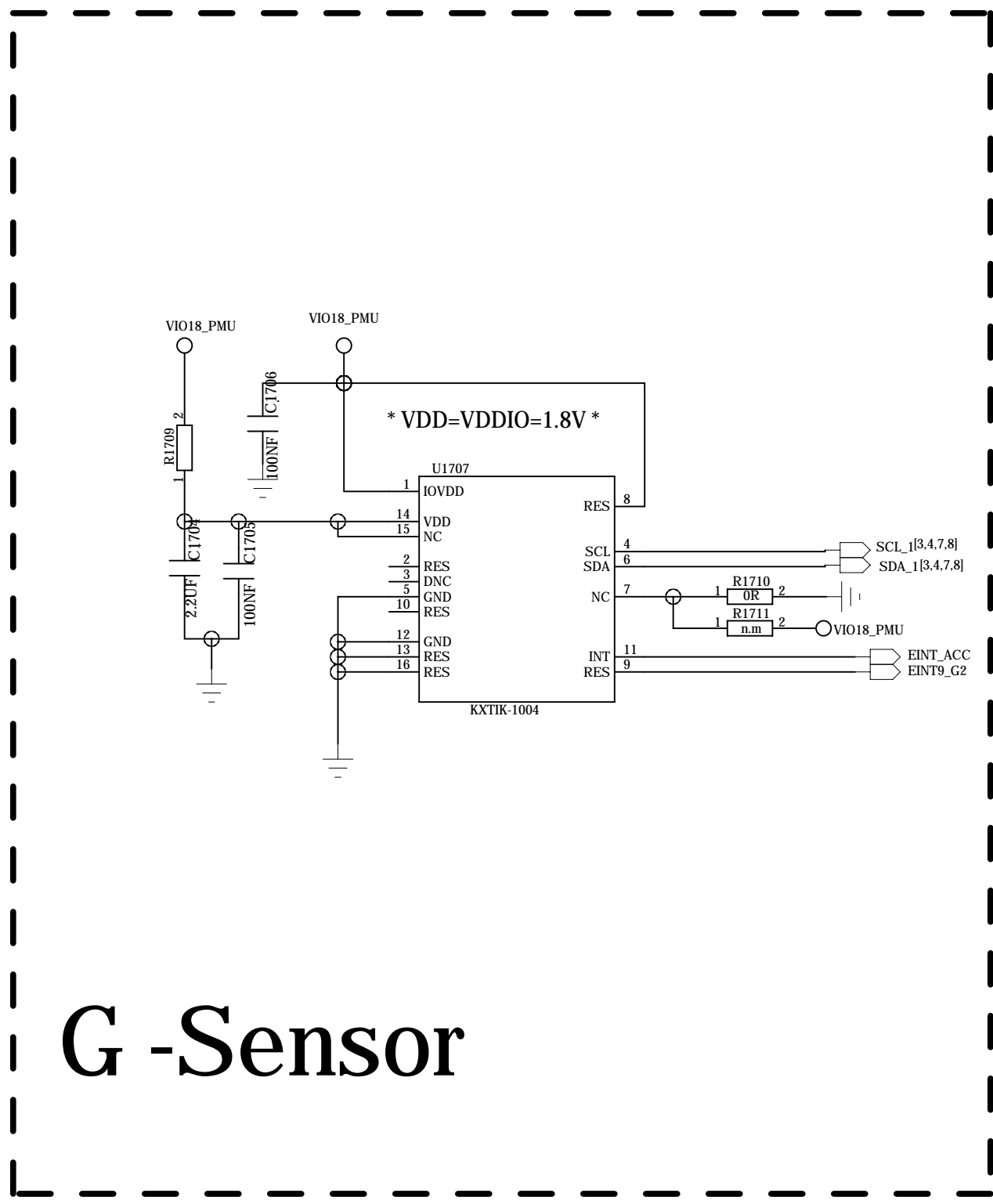
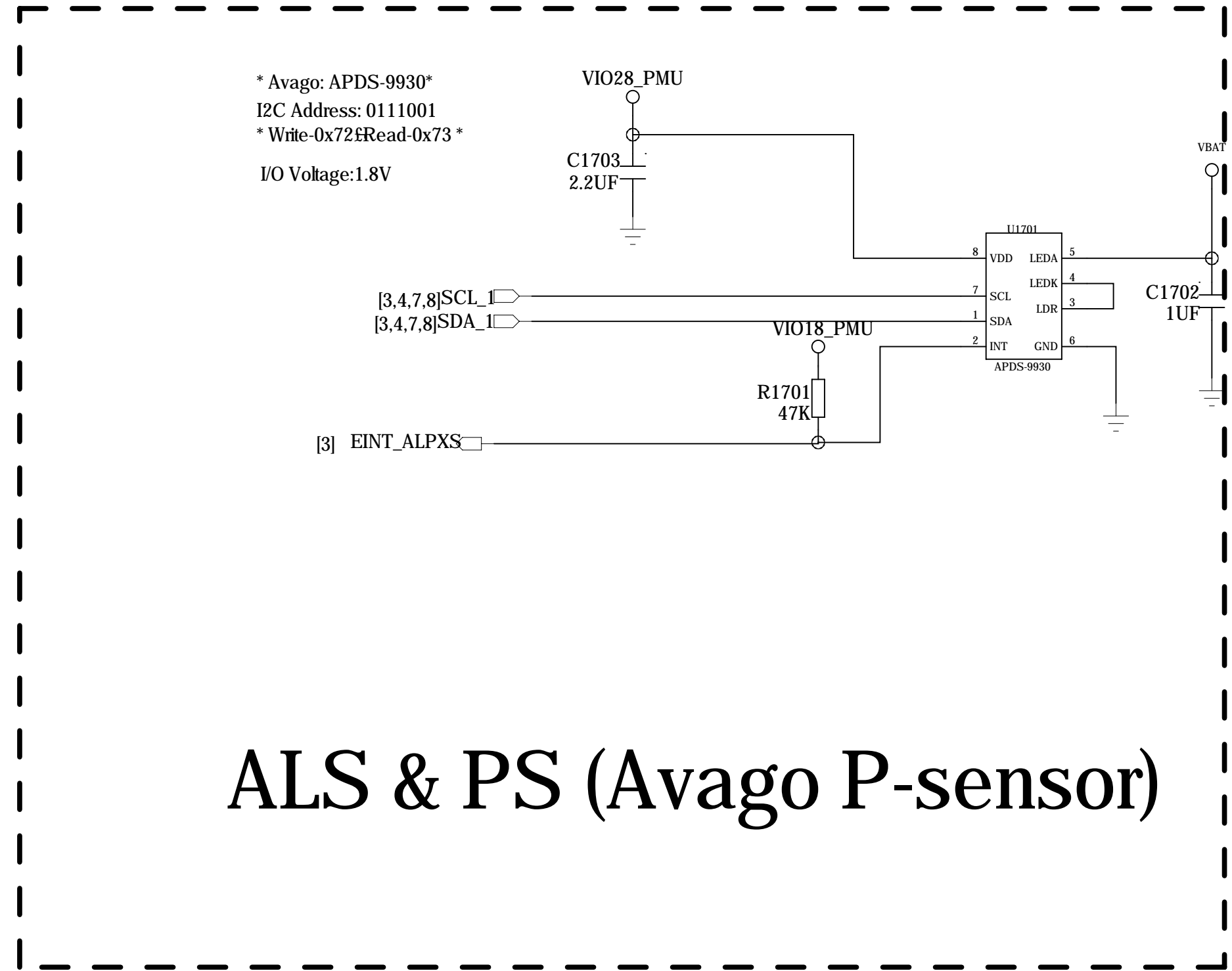


Touch Panel



COMPANY: Lenovo MIDH_Phone					
TITLE: Avene_MB_H101					
DRAWN: Chenqm2	DATED: 20120828	CODE: <Code>	SIZE: D	DRAWING NO: 16_LCD_CAMERA_CTP	REV: H101
CHECKED: <Checked By>	DATED: <Checked Date>				
QUALITY CONTROL: <QC By>	DATED: <QC Date>	SCALE: <Scale>			SHEET: OH2
RELEASED: <Released By>	DATED: <Release Date>				

REVISION RECORD			
LTR	ECO NO:	APPROVE	DATE

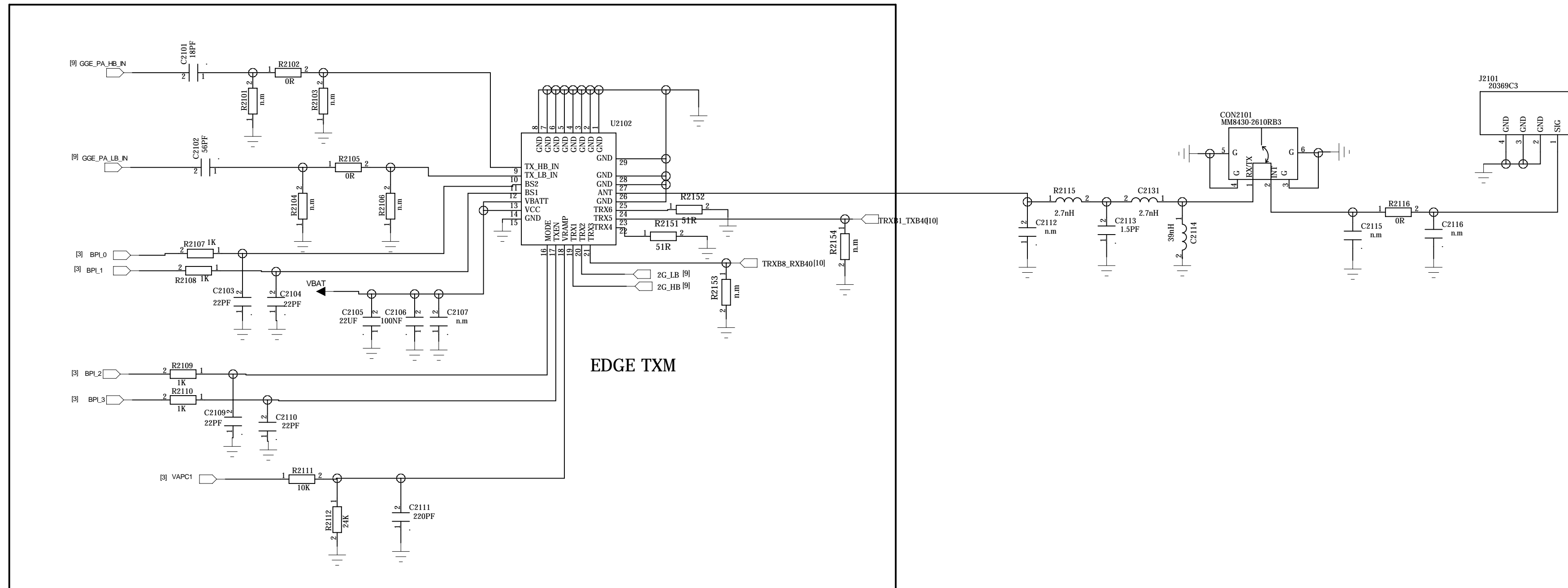


COMPANY: Lenovo MIDH_Phone			
TITLE: Avene_MB_H101			
DRAWN: Chenqm2	DATED: 20120828	CODE: <Code>	SIZE: D
CHECKED: <Checked By>	DATED: <Checked Date>	DRAWING NO: 17_KEY_SIM_SENSOR	REV: H101
QUALITY CONTROL: <QC By>	DATED: <QC Date>	SHEET: 08/2	
RELEASED: <Released By>	DATED: <Release Date>	SCALE: <Scale>	

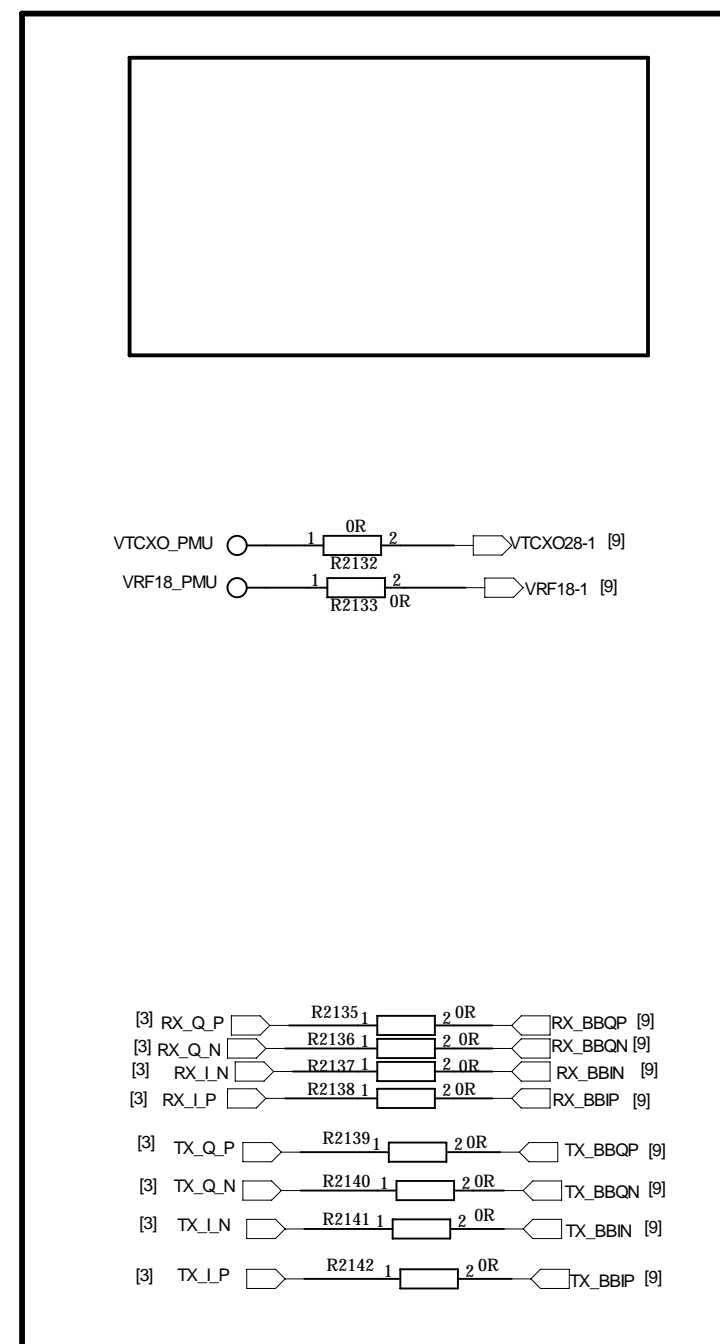
REVISION RECORD			
LTR	ECO NO.	APPROVE	DATE

SKY77590 control logic table

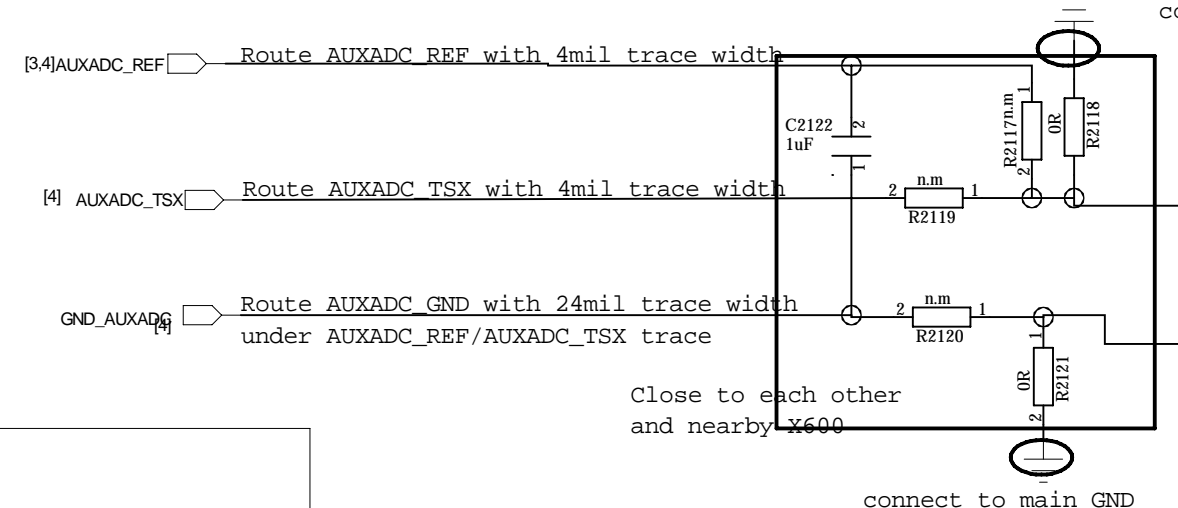
	Enable	VctC	VctB	VctA
LB_GMSK_TX	H	L	L	H
HB_GMSK_TX	H	L	H	H
LB_EDGE_TX	H	H	L	H
HB_EDGE_TX	H	H	H	H
TRX1	L	H	L	L
TRX2	L	H	L	L
TRX4	L	H	L	H
TRX5	L	L	H	L
TRX6	L	L	L	H



BPM0-4 and 10-11 are 2G+3G mode both
 BPM5-9 and 12-14 are 3G mode only
 (suggest BPM5-9 = 1.8V)

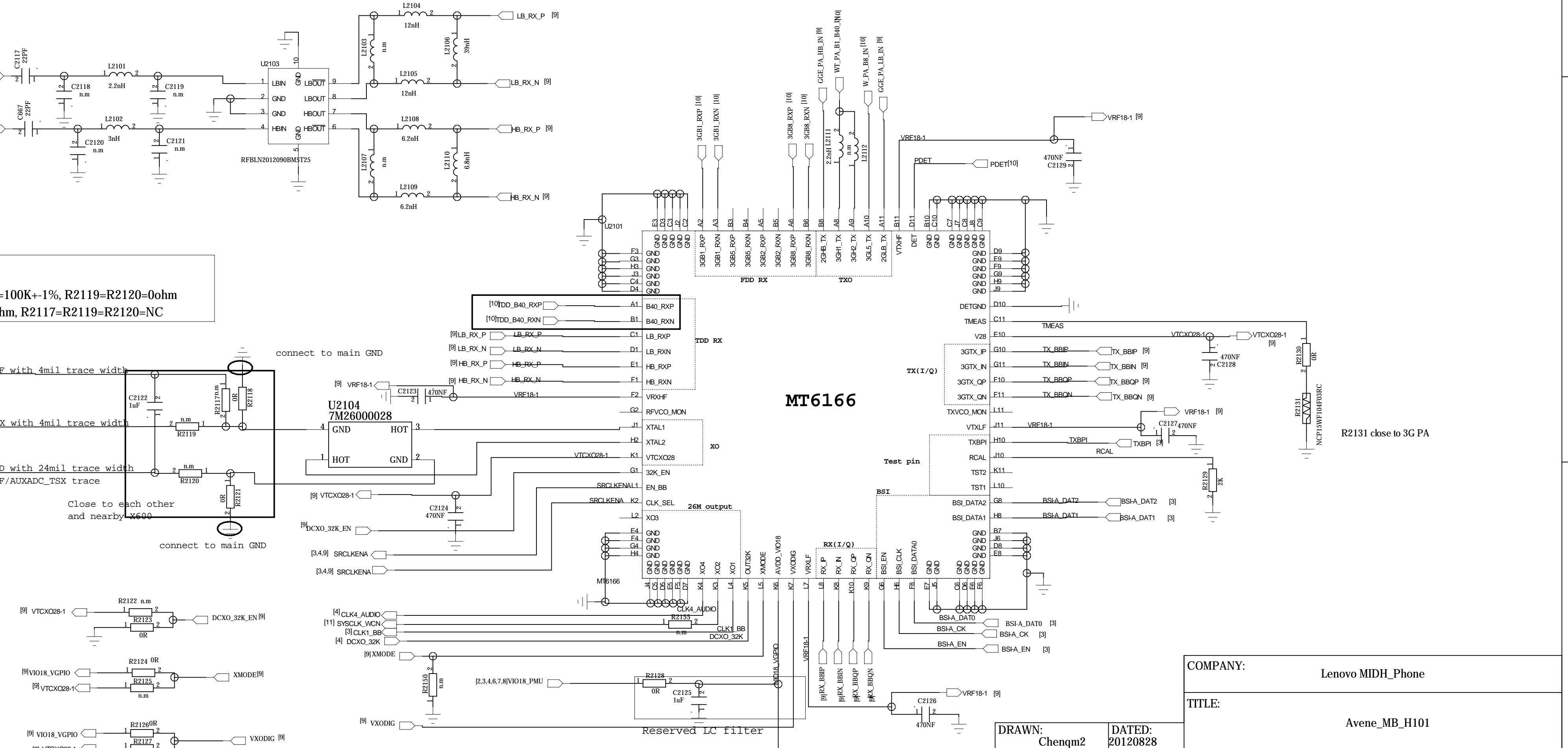


Two Application Circuit Conditions,
 1.TSX Circuit : U2104=TSX, R2118=R2121=NC, R2117=100K+1%, R2119=R2120=0ohm
 2.XTAL Circuit :U2104=Mobile XTAL, R2118=R2121=0ohm, R2117=R2119=R2120=NC

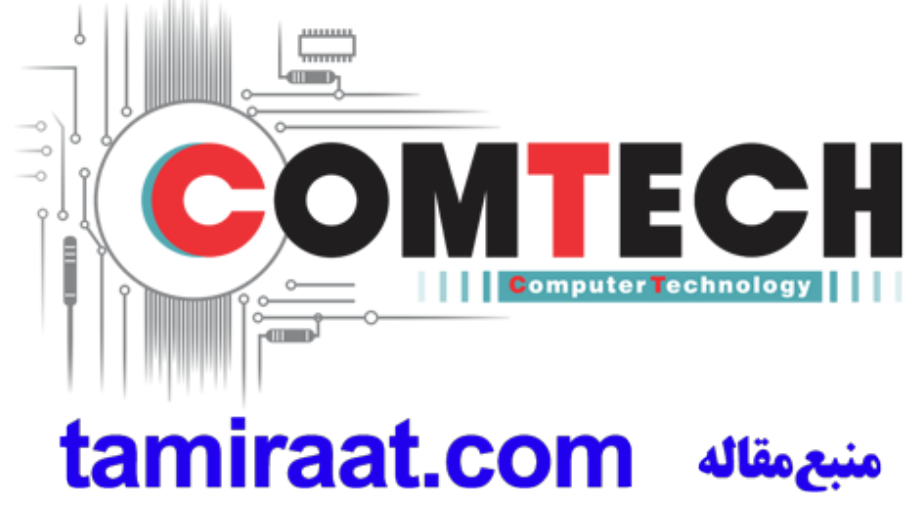


Route AUXADC_REF/AUXADC_TSX as differential trace with well GND shielding
 and route AUXADC_GND with 24mil trace width under
 AUXADC_TSX/AUXADC_REF trace to provide return current path.

MODE	Logic	DCXO	XMODE	VXODIG
DCXO + 32K XO	0(GND)	1(VI018)	1(VI018)	
DCXO + 32K-Less	1(VTXC028)	1(VTXC028)	1(VTXC028)	



DRAWN: Chenqm2		DATED: 20120828	
CHECKED:		DATED:	
QUALITY CONTROL: <QC By>		DATED: <QC Date>	
RELEASED: <Released By>		DATED: <Release Date>	
CODE: <Code>	SIZE: D	DRAWING NO: 21_RF_MT6166	REV: H101
SCALES: <Scale>		SHEET: 08/2	

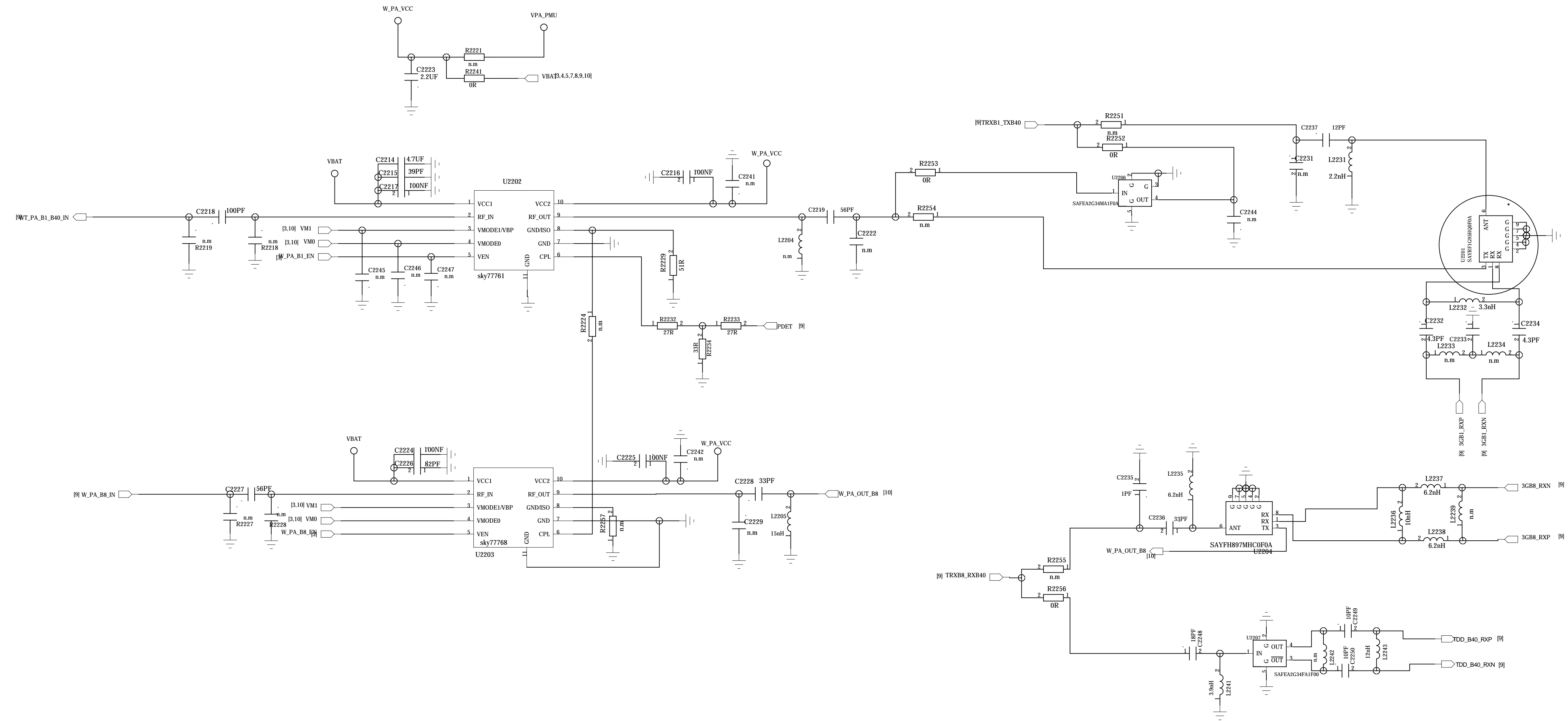


COMPANY: Lenovo MIDH_Phone
 TITLE: Avene_MB_H101



tamiraat.com منبع مقاله

REVISION RECORD			
LTR	ECO NO:	APPROVE	DATE

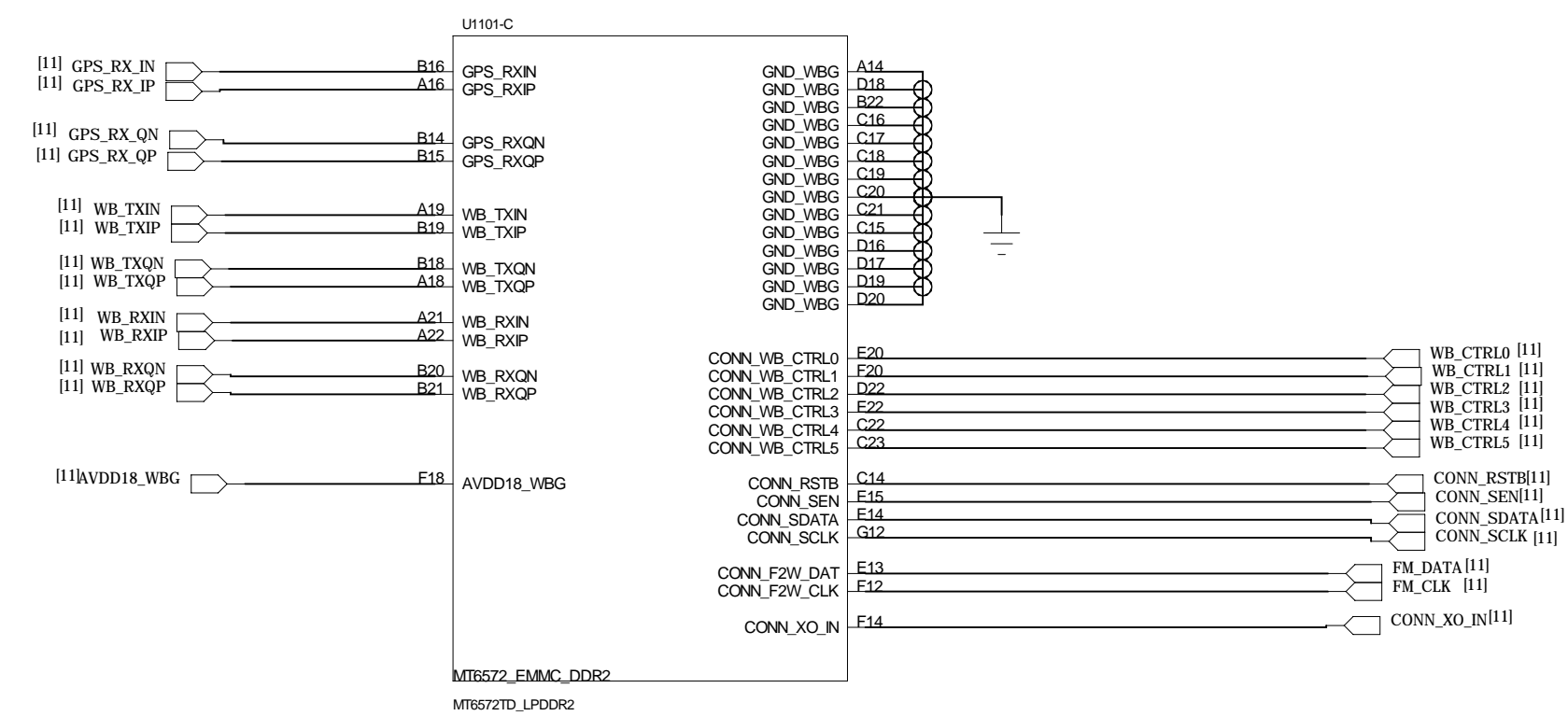
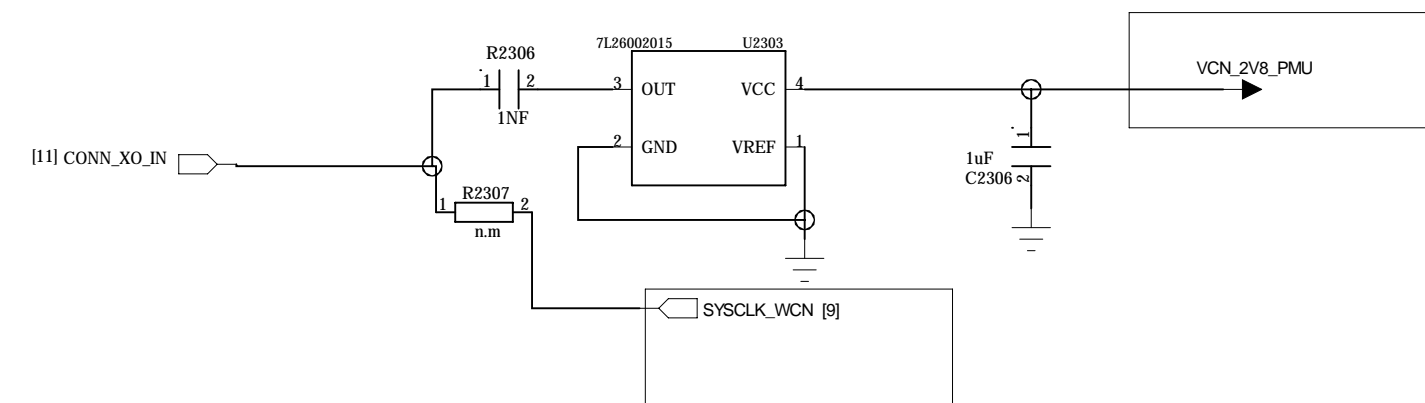


COMPANY: Lenovo MIDH_Phone				
TITLE: Avene_MB_H101				
DRAWN: Chenqm2	DATED: 20120828	CODE:	SIZE: D	DRAWING NO: 22_RF_TX
CHECKED: <Checked By>	DATED: <Checked Date>	<Code>		REV: H101
QUALITY CONTROL: <QC By>	DATED: <QC Date>			
RELEASED: <Released By>	DATED: <Release Date>	SHEET0 OR2		

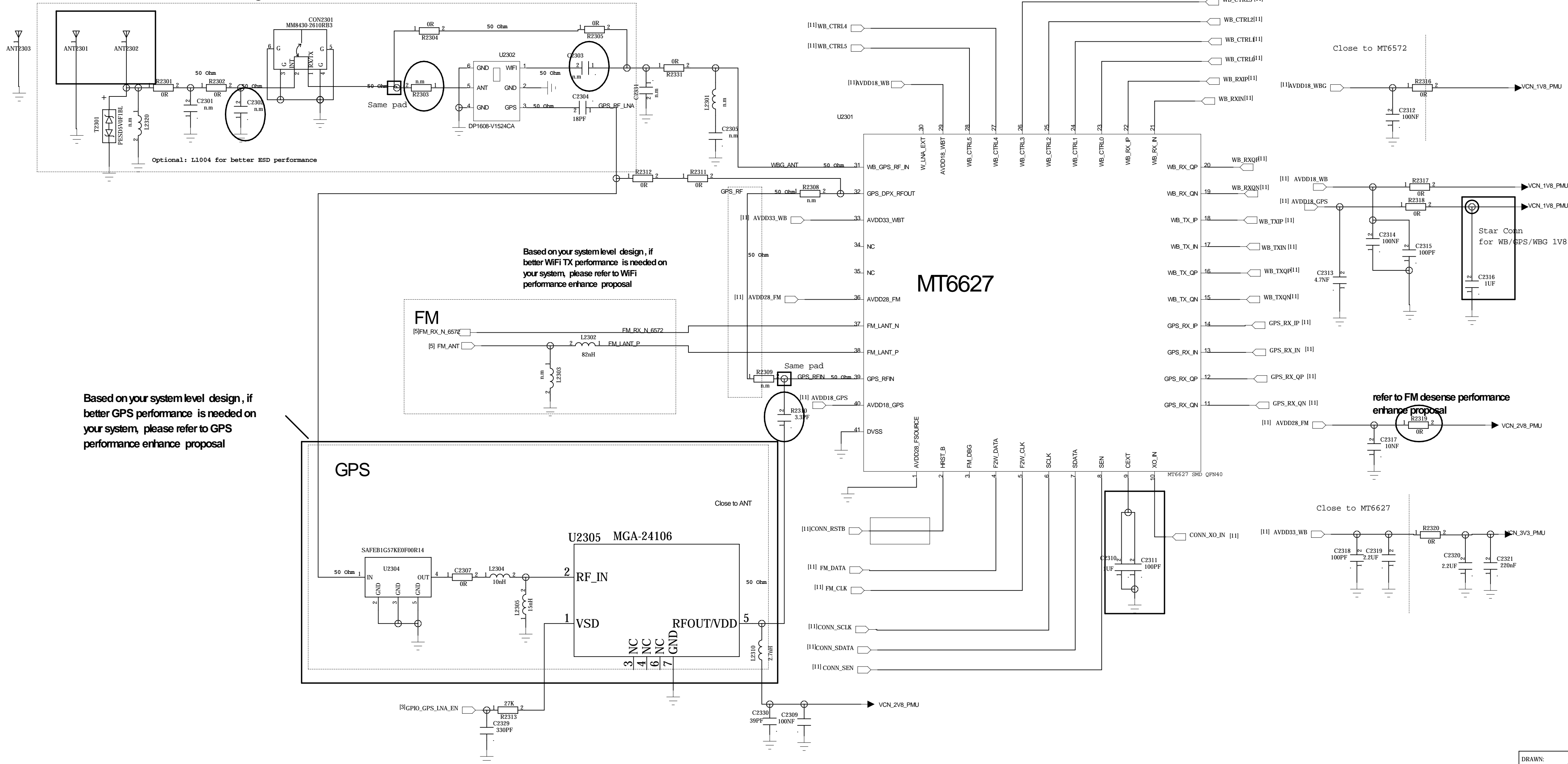


tamiraat.com منبع مقاله

REVISION RECORD			
LTR	ECO NO.	APPROVED	DATE



WiFi/BT/GPS Single ANT Ref.



Based on your system level design, if better GPS performance is needed on your system, please refer to GPS performance enhance proposal

Based on your system level design, if better WiFi TX performance is needed on your system, please refer to WiFi performance enhance proposal

refer to FM desense performance enhance proposal

COMPANY:		Lenovo MIDH_Phone			
TITLE:		Avene_MB_H101			
DRAWN:	Chenqm2	DATE:	20120828		
CHECKED:	<Checked By>	DATE:	<Checked Date>		
QUALITY CONTROL:	<QC By>	DATE:	<QC Date>		
RELEASED:	<Released By>	DATE:	<Release Date>		
CODE:	<Code>	SIZE:	D	DRAWING NO.:	<Drawing Number>
REV:	H101	SCALE:	<Scale>	SHEET:	12

REVISION RECORD			
LT#	ECO NO:	APPROVED:	DATE:

BB modify at 2012.11.16 based on MTK Design notice

- 1,Remove R1301,R1302
- 2,Remove D1301
- 3,Remove R1516
- 4,Remove R1323,R1324
- 5,Remove R1501~R1509

BB modify at 2012.11.21 based on MTK Design notice

- 1,Replace LCD and camera define
- 2,Replace BATCON

BB modify at 2012.11.27 based on MTK Design notice

- 1,Replace P-sensor fpc define
- 2,Replace G-SENSOR

RF modify at 2012.11.21 based on MTK Design notice

- 1,Replace the SAMBA project WCN circuit
- 2,Increased GSM receives SAW circuit



DRAWN: Chenqm2		DATED: 20120828		COMPANY: Lenovo MIDH_Phone			
CHECKED: <Checked By>		DATED: <Checked Date>		TITLE: Avene_MB_H101			
QUALITY CONTROL: <QC By>		DATED: <QC Date>		CODE: <Code>	SIZE: D	DRAWING NO: <Drawing Number>	REV: H101
RELEASED: <Released By>		DATED: <Release Date>		SCALE: <Scale>		SHEET: 42 12	