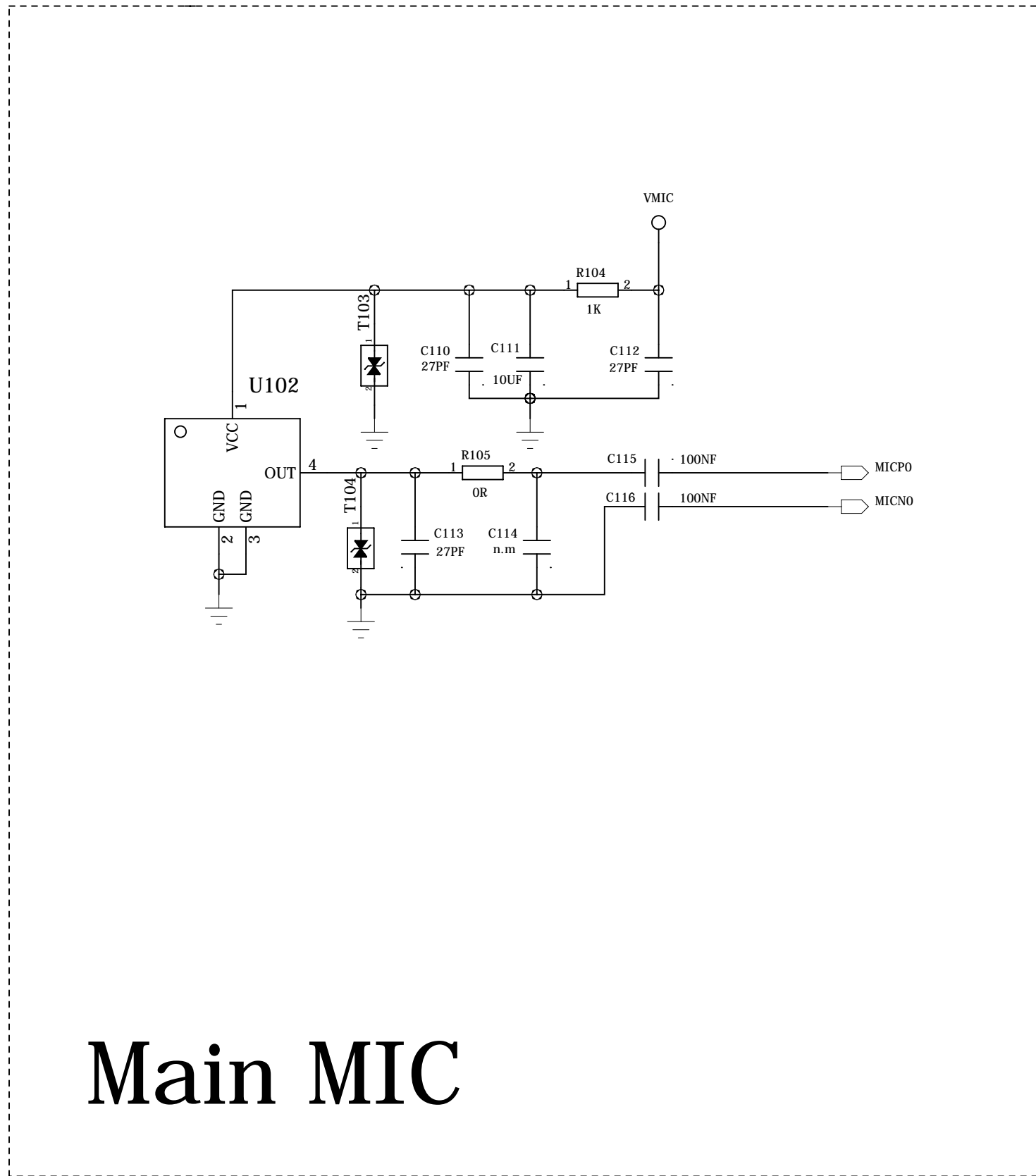
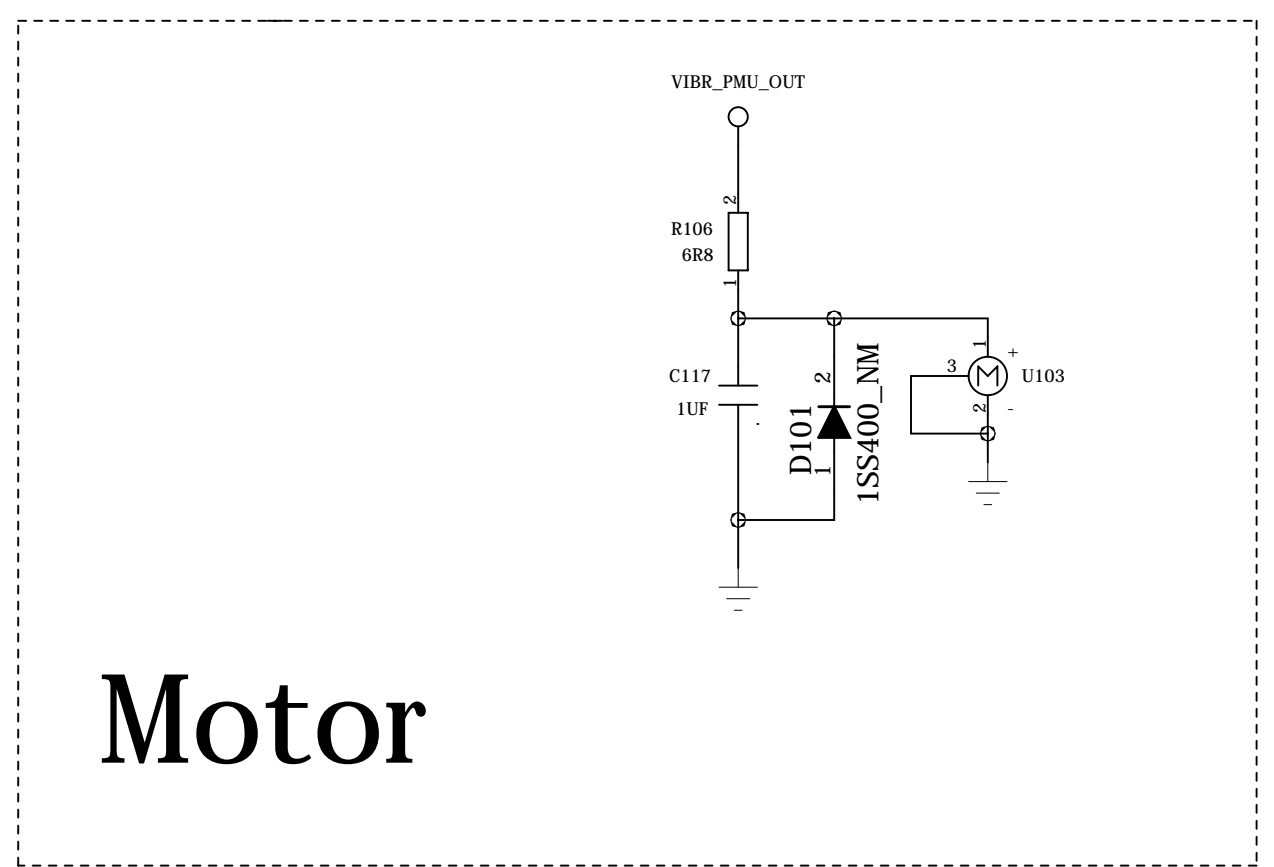


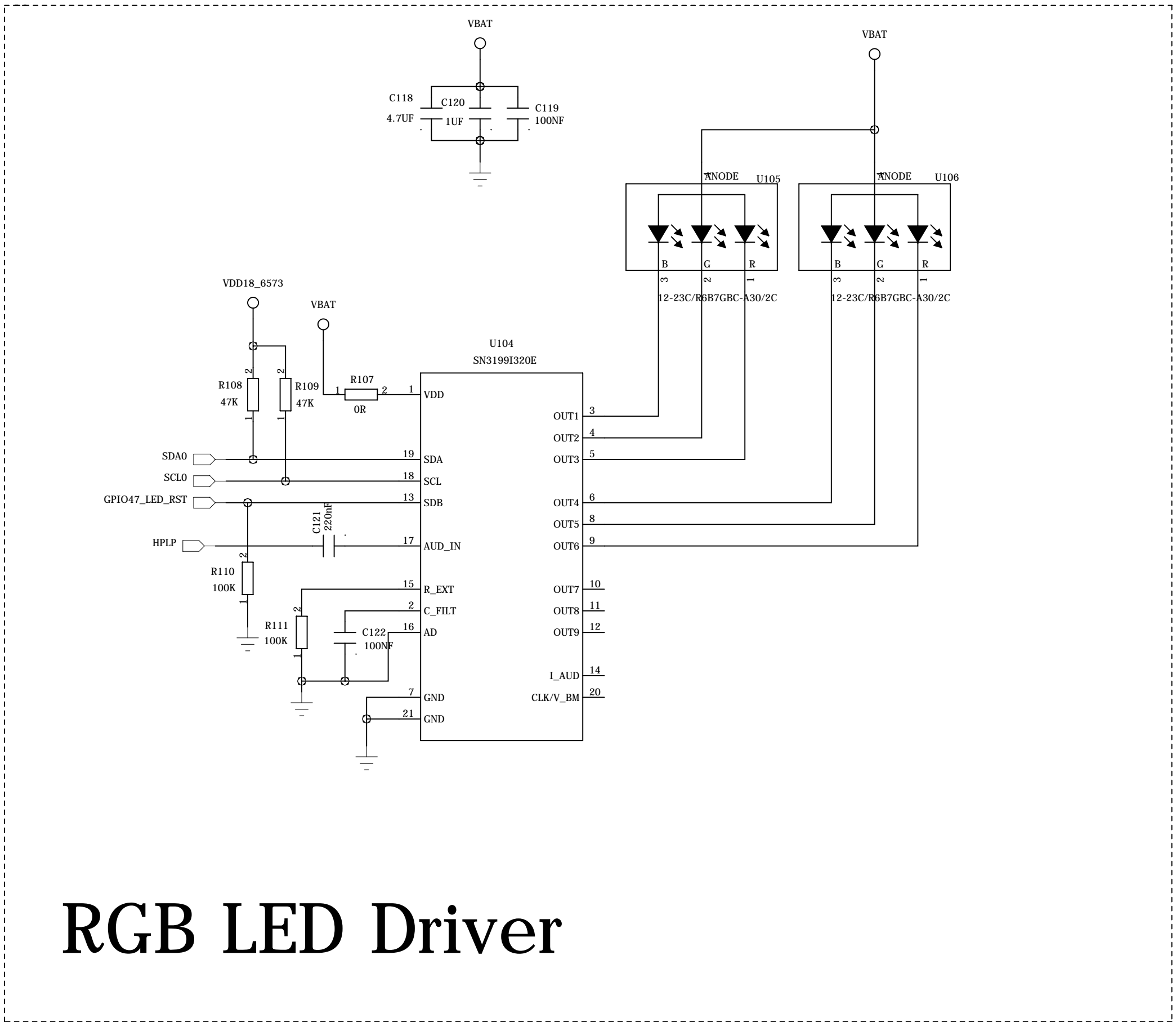
Speaker PA



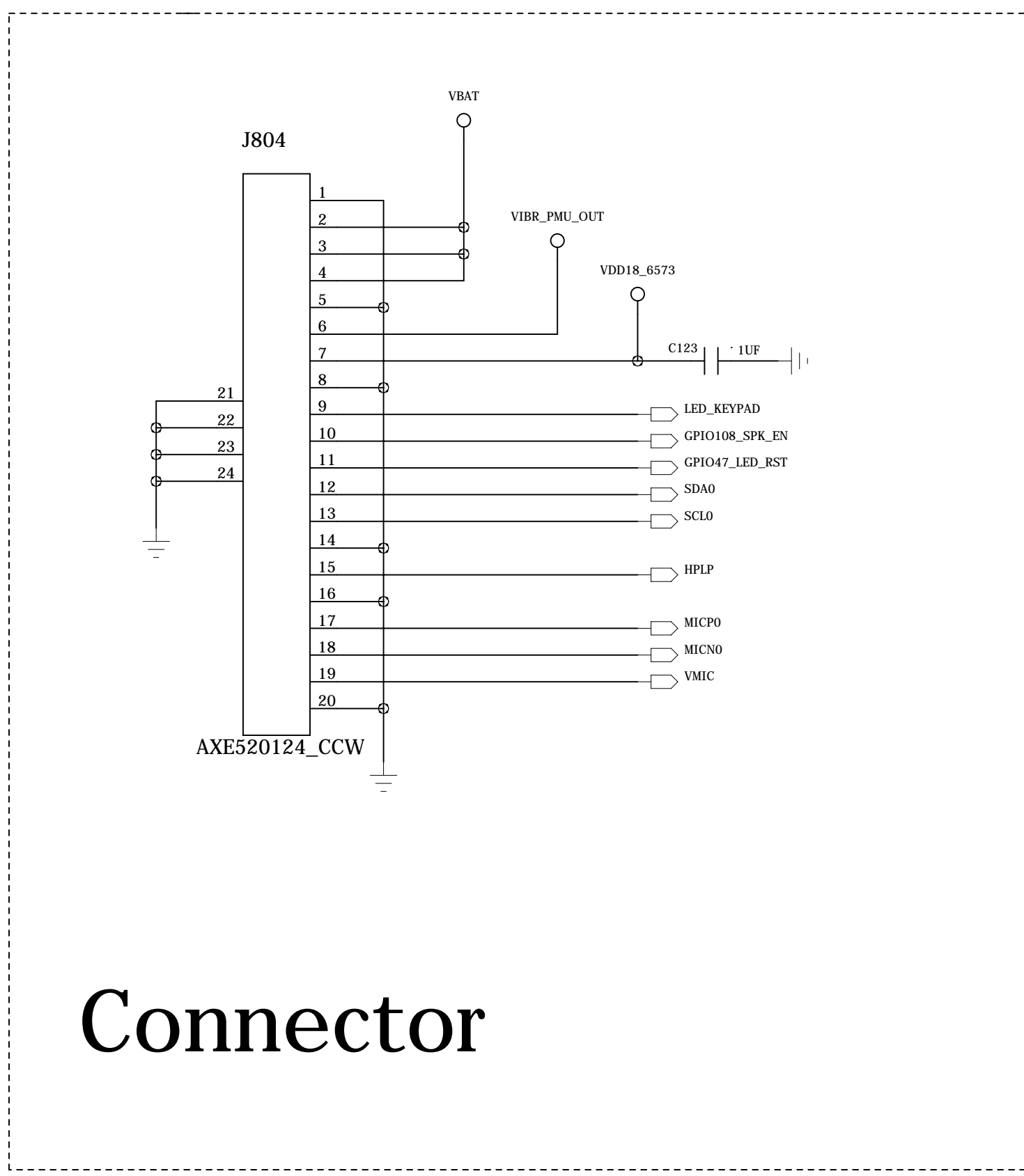
Main MIC



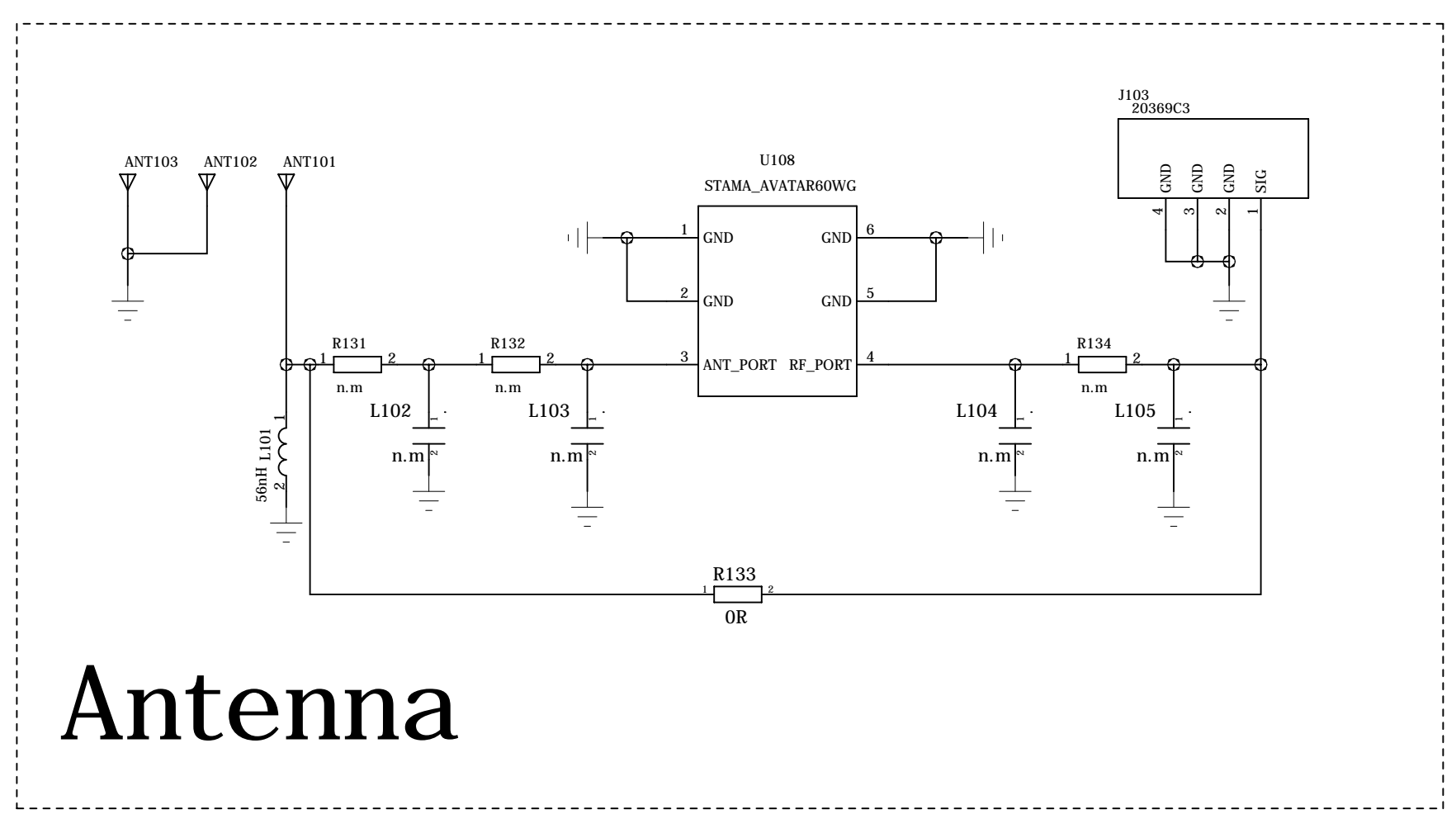
Motor



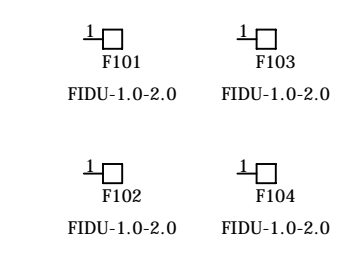
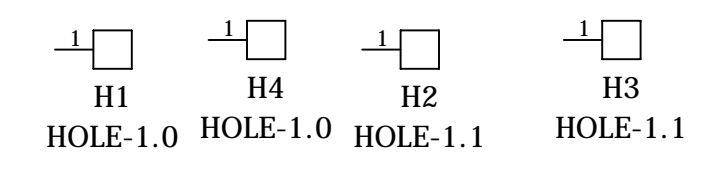
RGB LED Driver



Connector



Antenna



COMPANY: LENOVMOBILE			
TITLE: Avatar_MB_H101			
DRAWN: <Drawn By>	DATED: 2011-01-28	CODE: <Code>	SIZE: D <Drawing Number> V4.1
CHECKED: <Checked By>	DATED: <Checked Date>	DRAWING NO:	REV:
QUALITY CONTROL: <QC By>	DATED: <QC Date>	SCALE: <Scale>	
RELEASED: <Released By>	DATED: <Release Date>	SHEET: 1 of 2	

DVT1 to DVT2

- 1; Ć BEAD for SPK change from 0402 to 0603
- 2; Ć Change 3-LED from everlight to liteon
- 3; Ć Make SPK G-PAD larger
- 4; Ć Move Motor near SPK