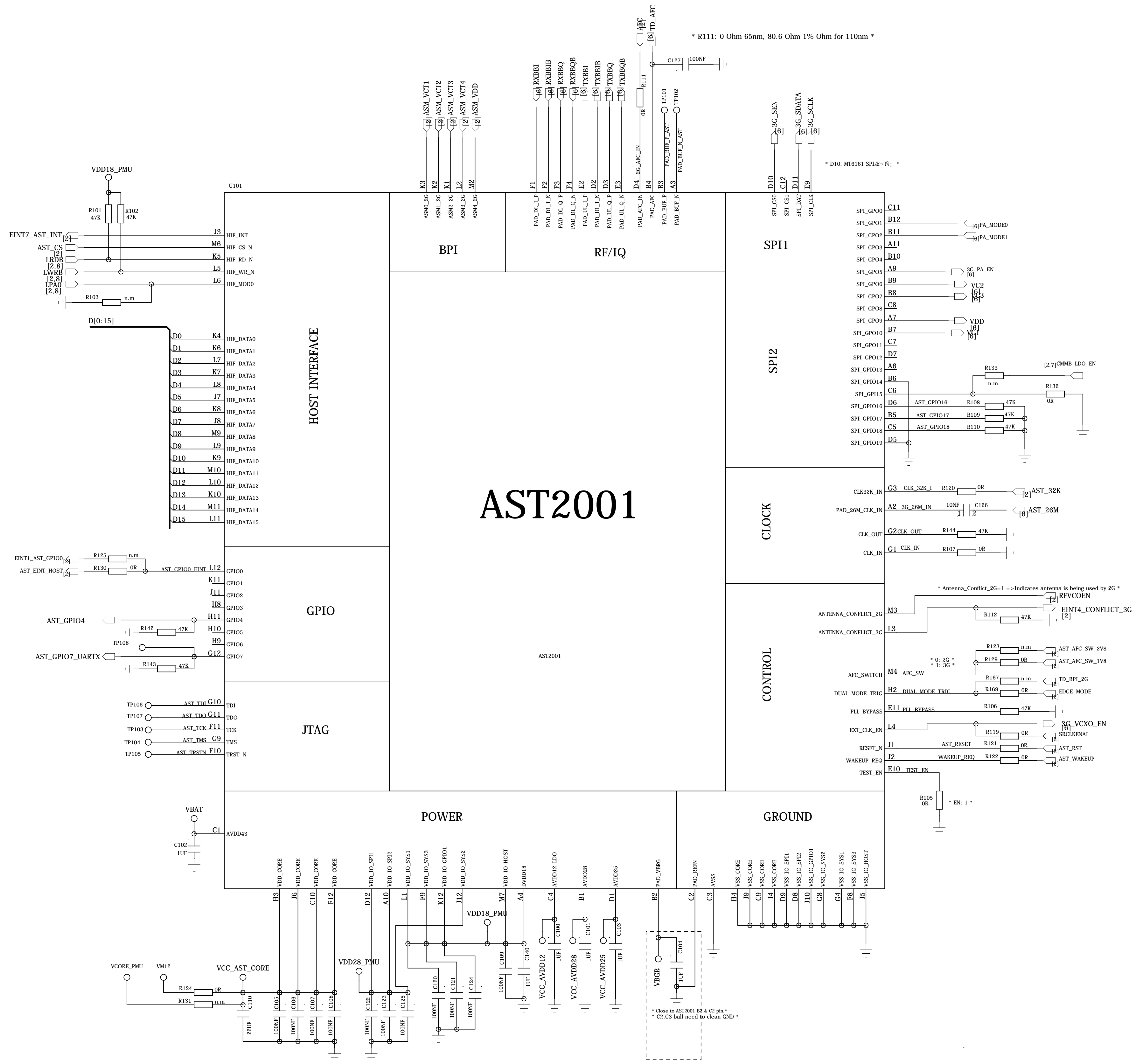
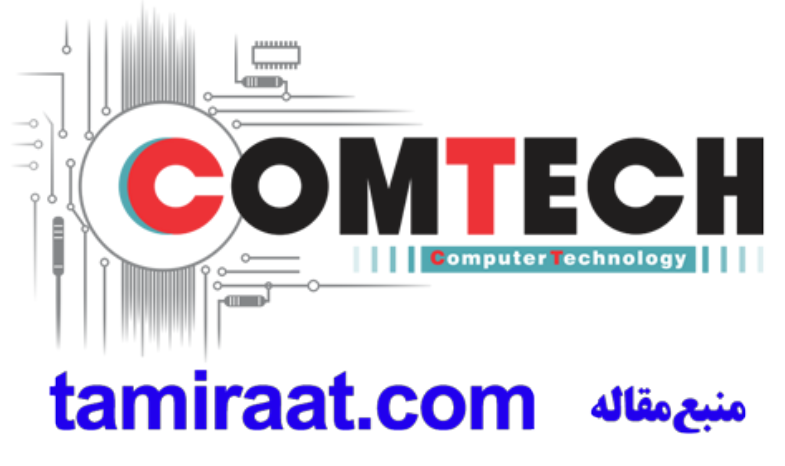


REVISION RECORD			
LTR	ECO NO.	APPROVED:	DATE:



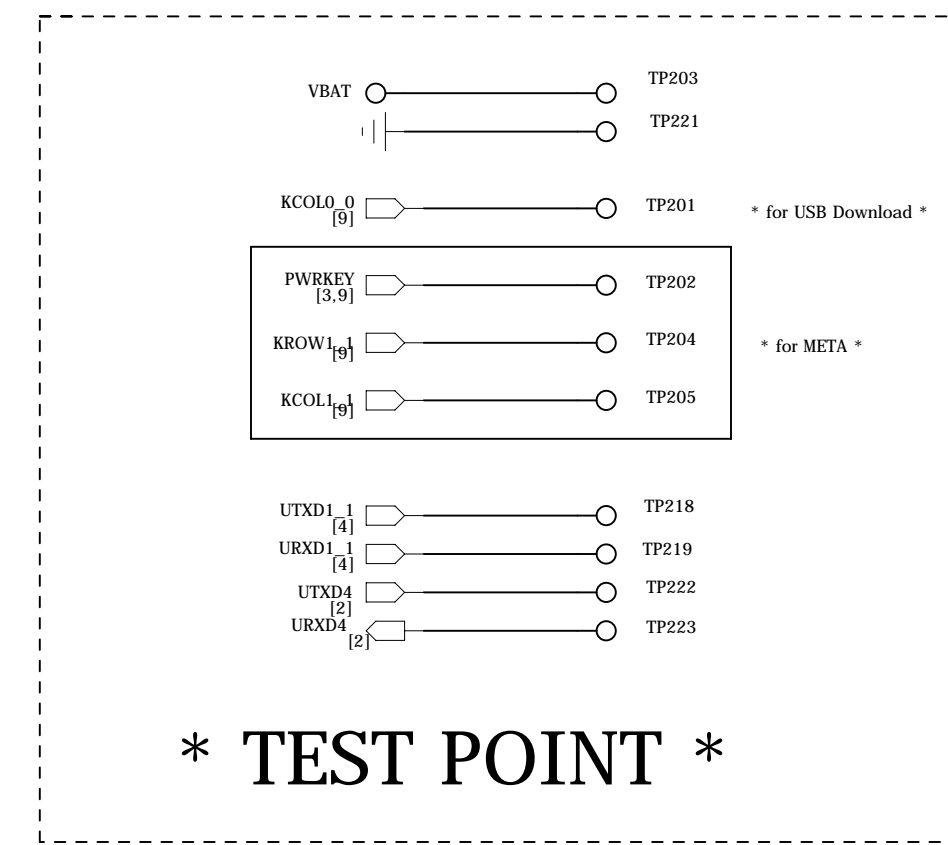
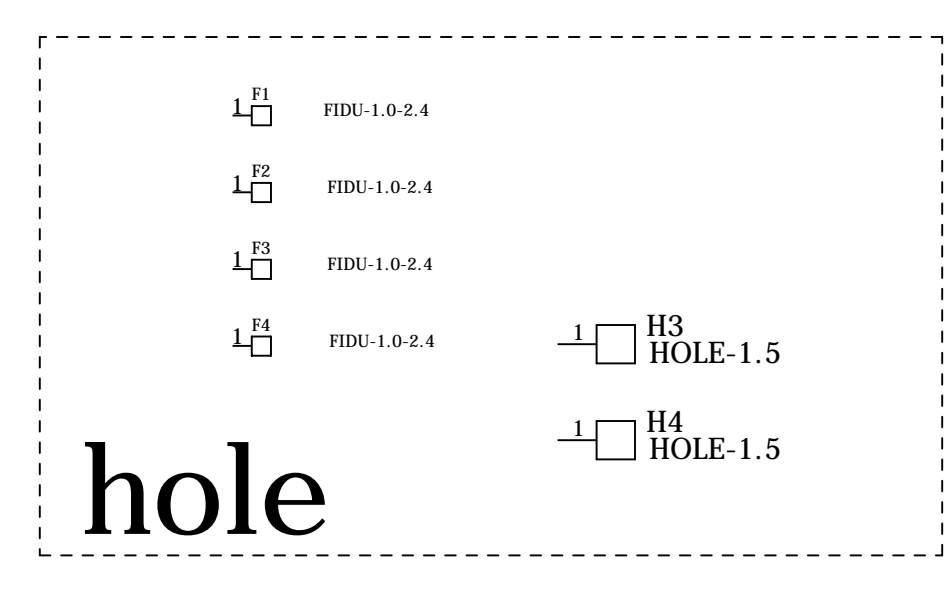
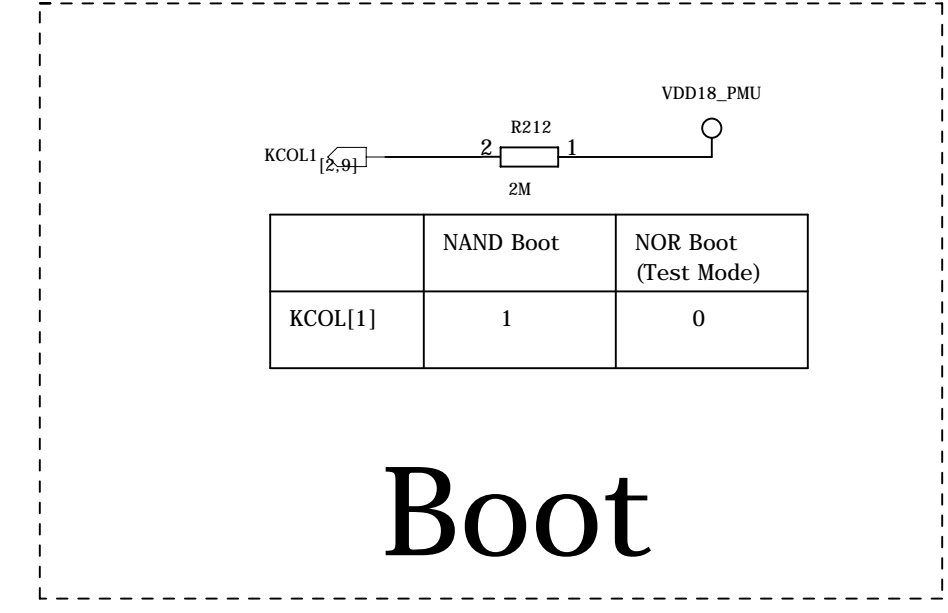
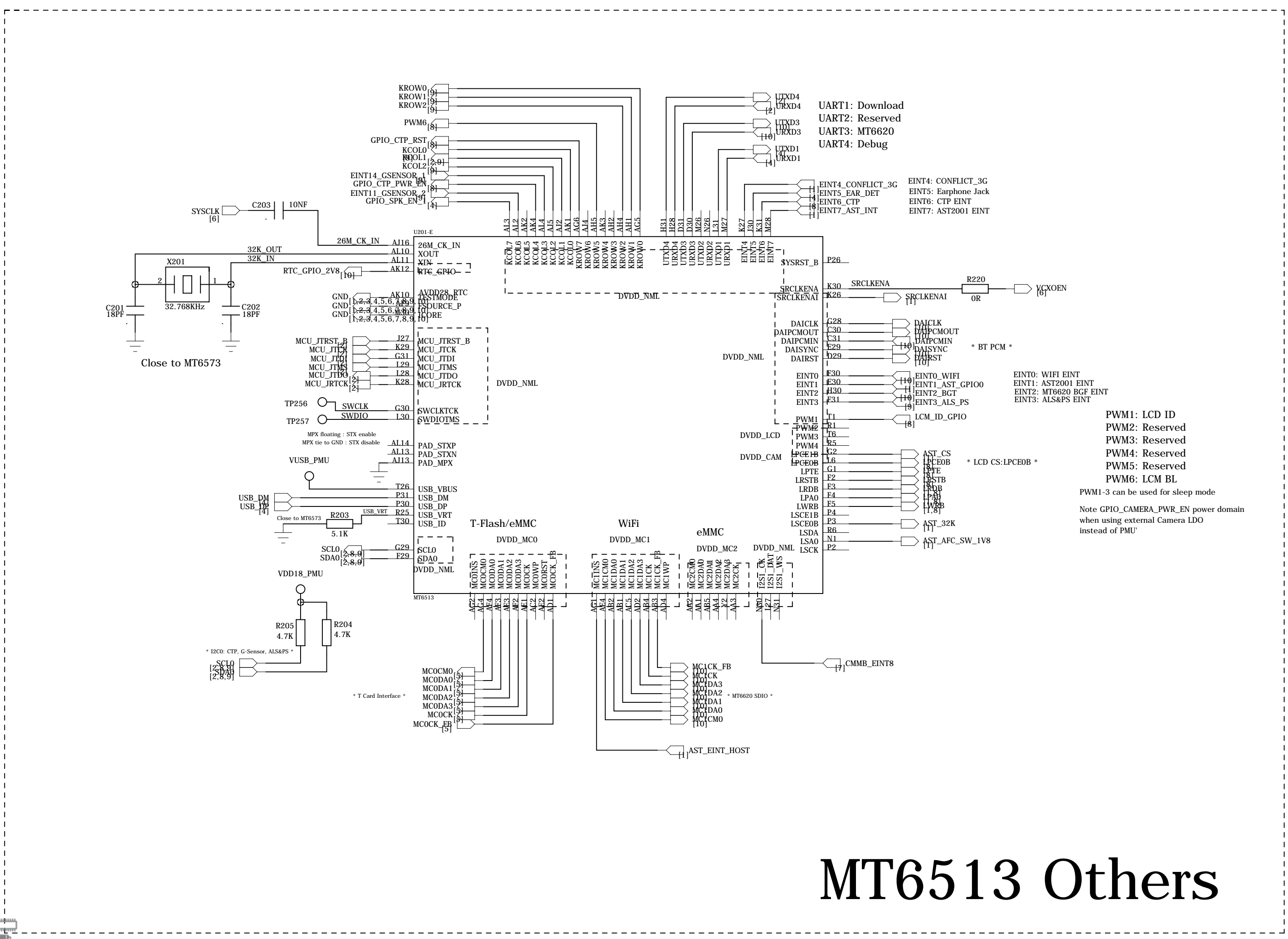
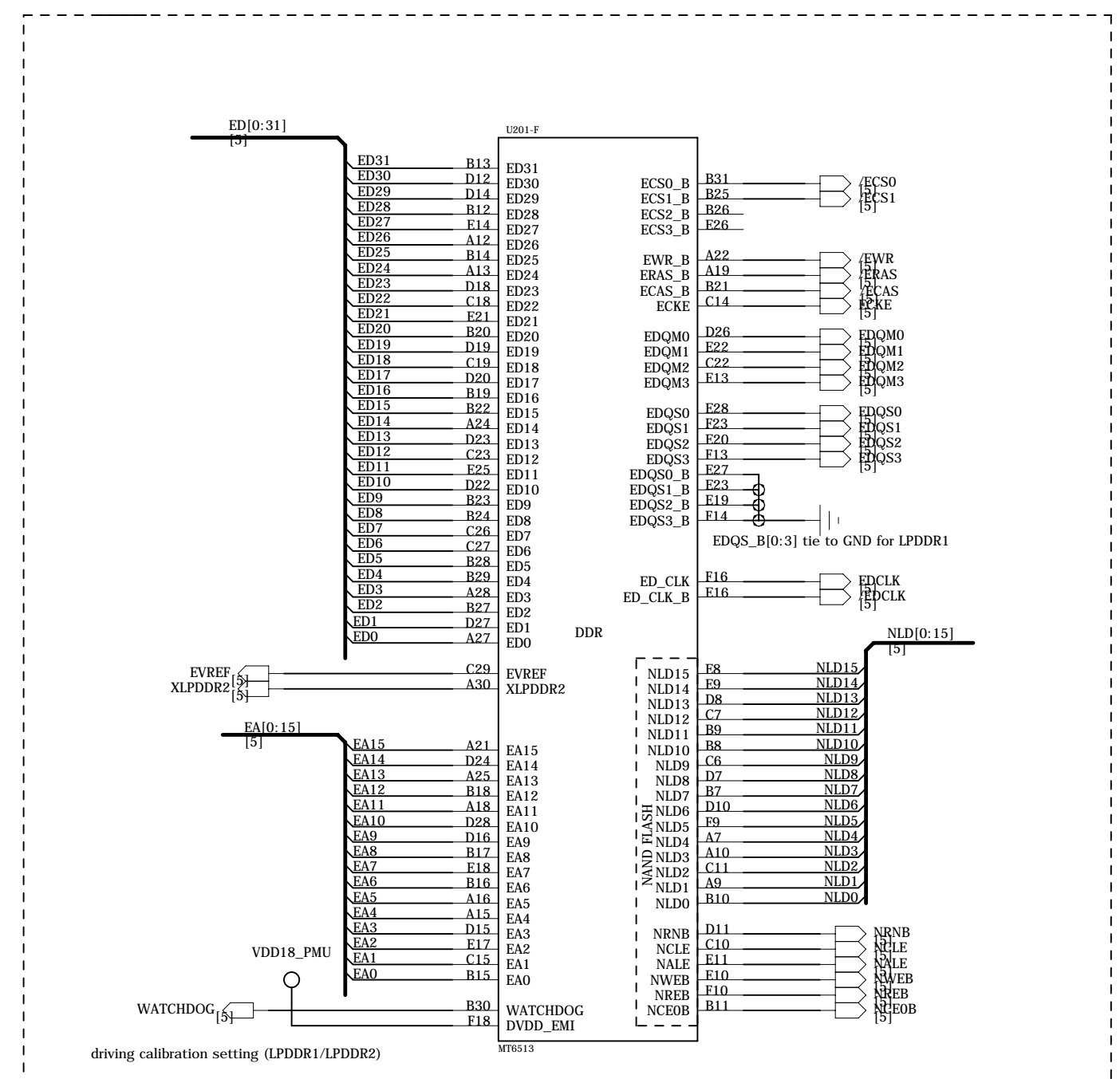
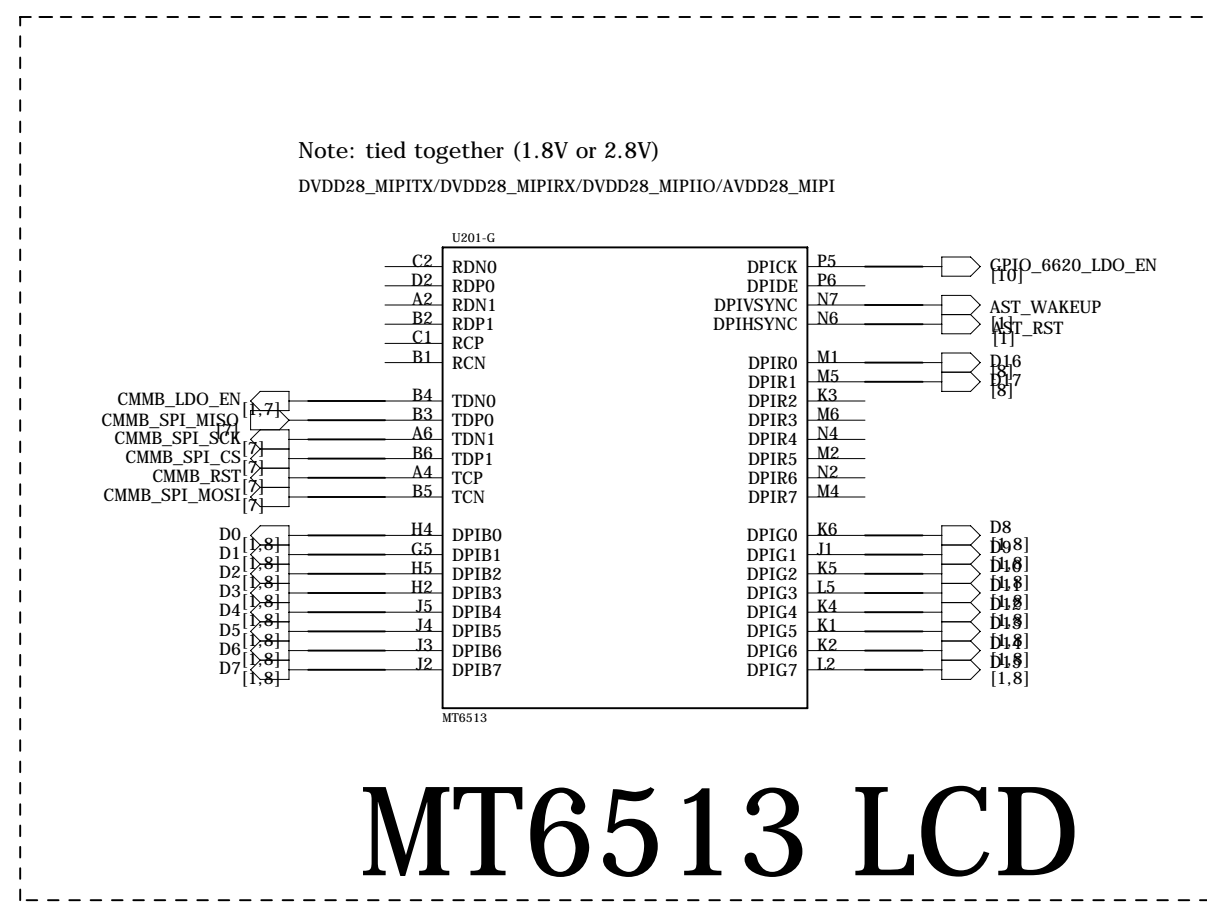
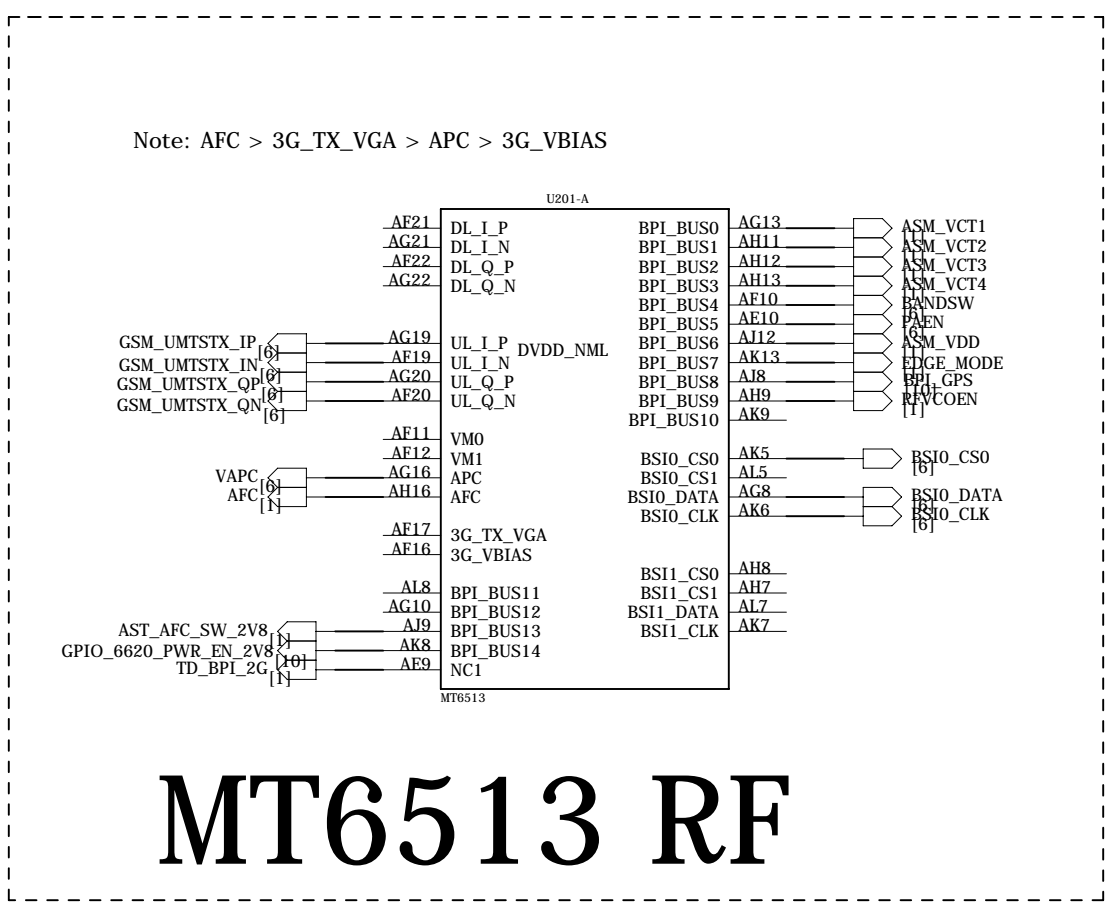
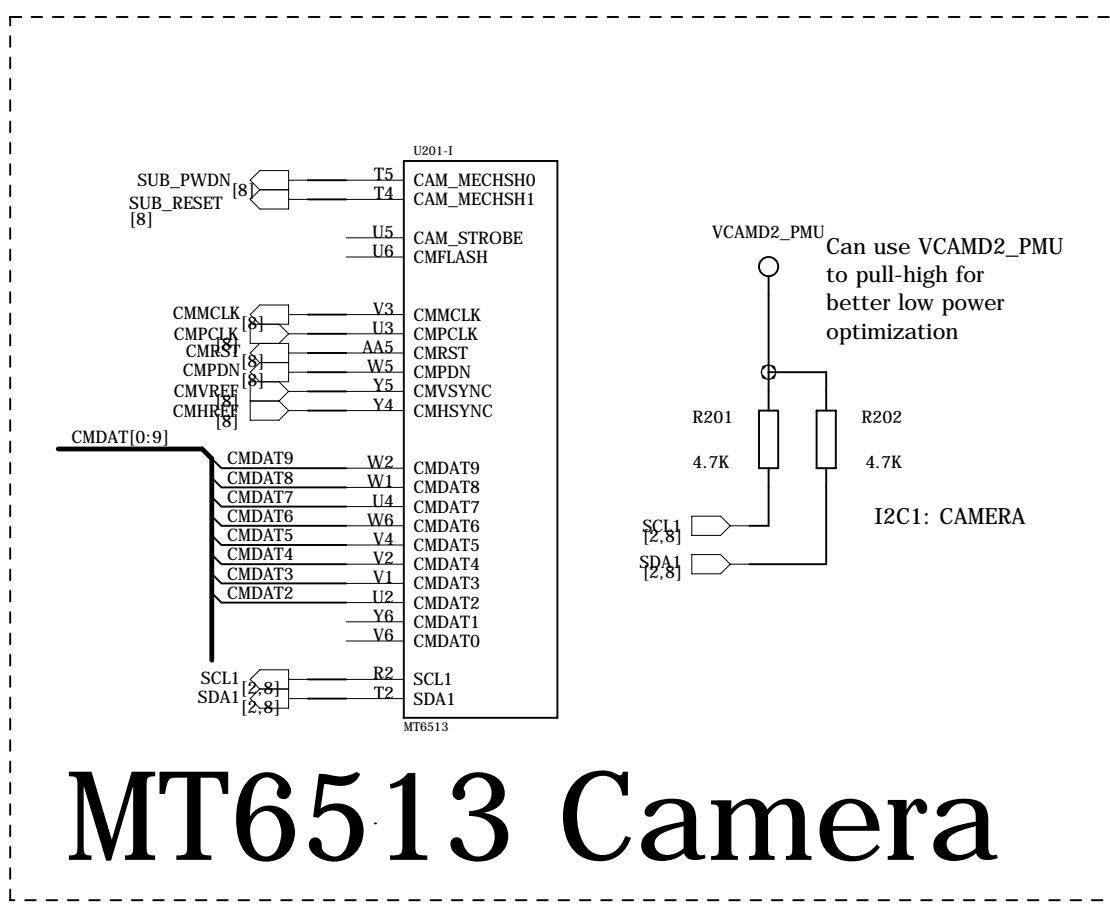
# AST2001

## AST2001

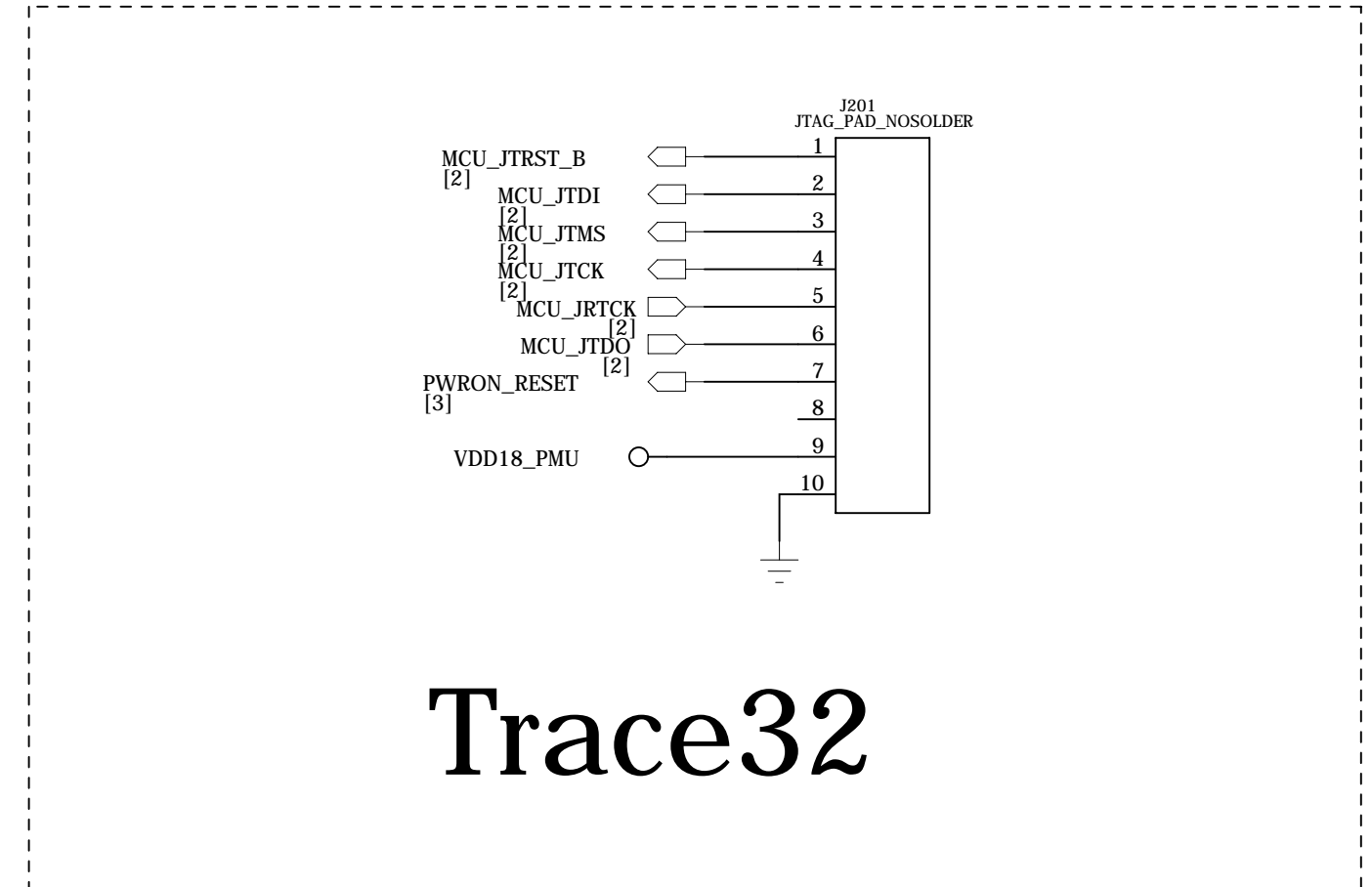


COMPANY: LENOVO MOBILE			
TITLE: A366T_MB_H302			
DRAWN: linfenga	DATED: 2011-11-25	SCALE: <Scale>	
CHECKED: liguoa	DATED: <Checked Date>	CODE: <Code>	SIZE: D <Drawing Number> V2.1
QUALITY CONTROL: <QC By>	DATED: <QC Date>	REVISION: <Rev>	
RELEASED: <Released By>	DATED: <Release Date>	SHEET: 1 of 10	

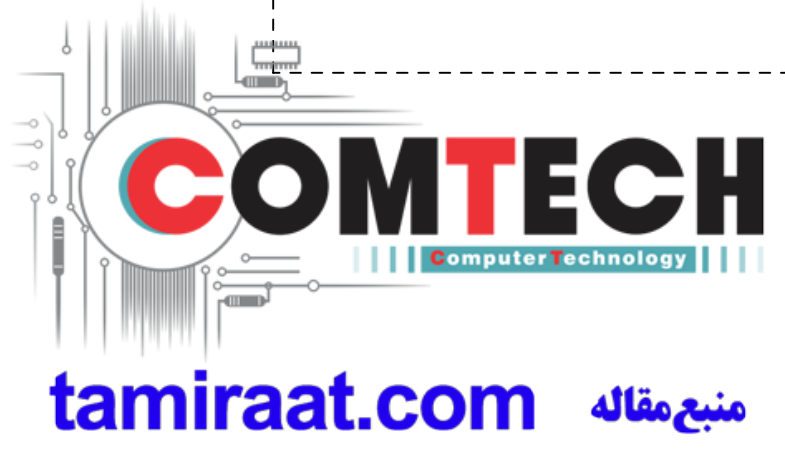
REVISION RECORD			
LTR	ECO NO.	APPROVED:	DATE:



# MT6513 EMI

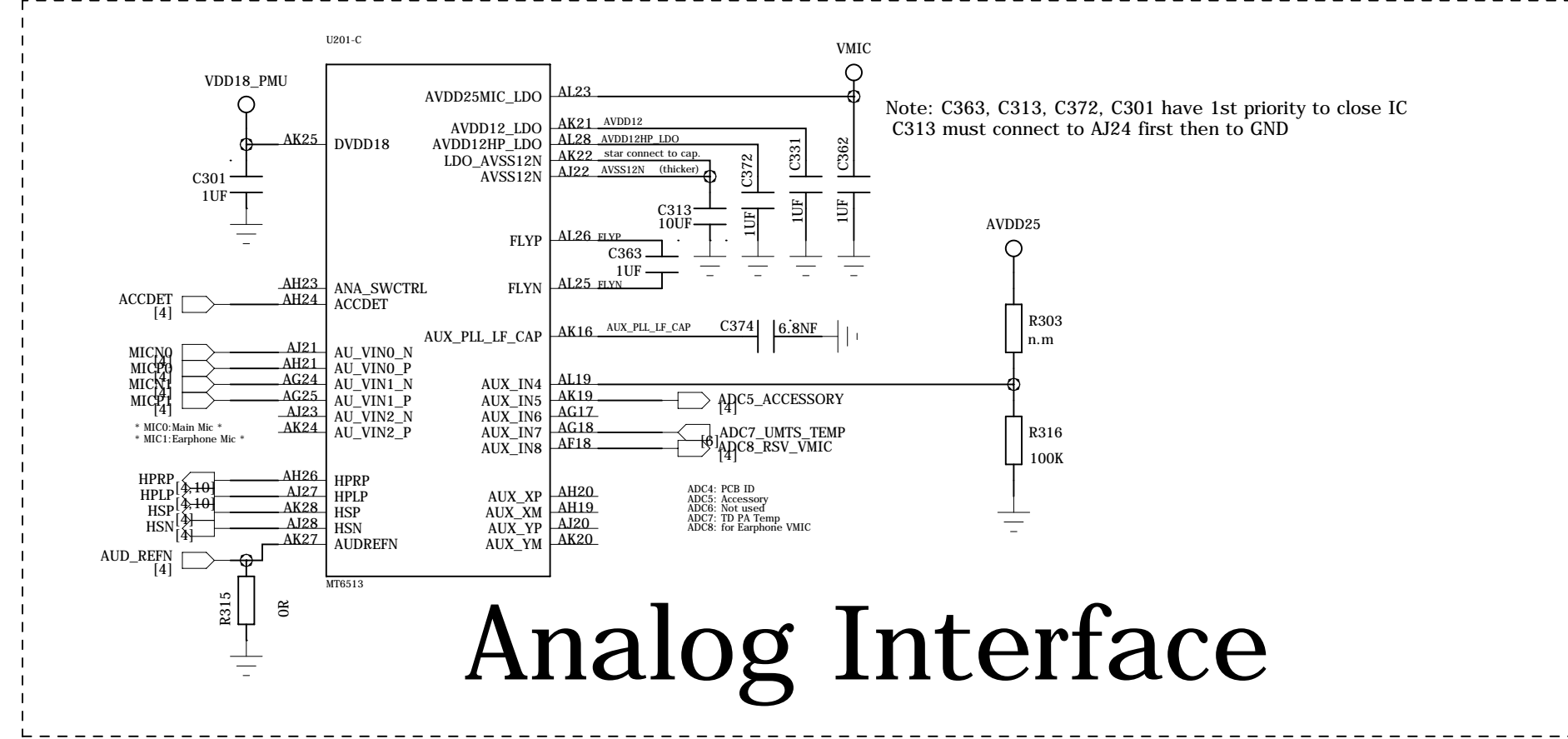


COMPANY:		LENOVOMOBILE	
TITLE:		A366T_MB_H302	
DRAWN:	linfenga	DATED:	2011-11-25
CHECKED:	liguo	DATED:	<Checked Date>
QUALITY CONTROL:	<QC By>	DATED:	<QC Date>
RELEASED:	<Released By>	DATED:	<Release Date>
SCALE:	<Scale>	SHEET:	2of 10

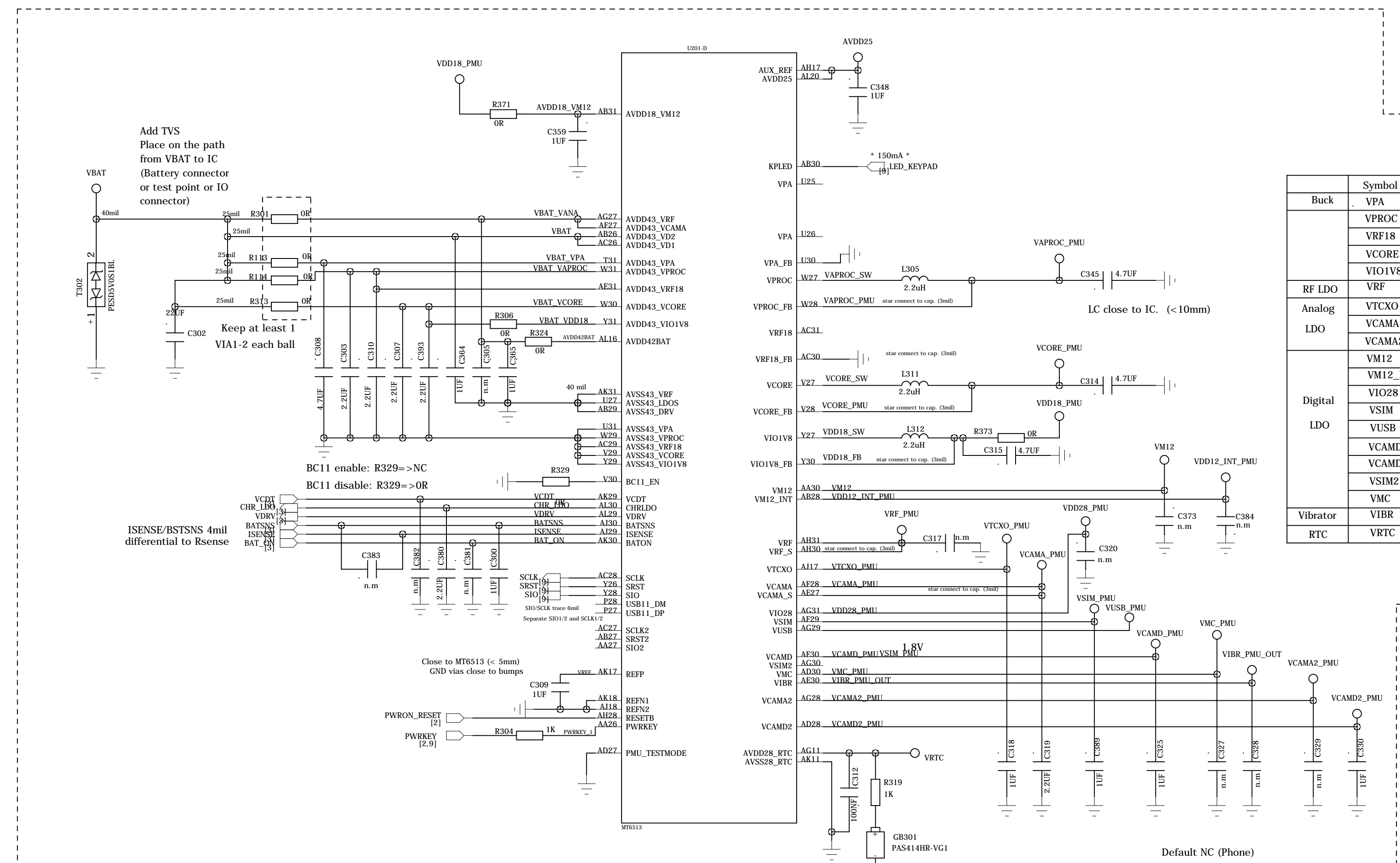
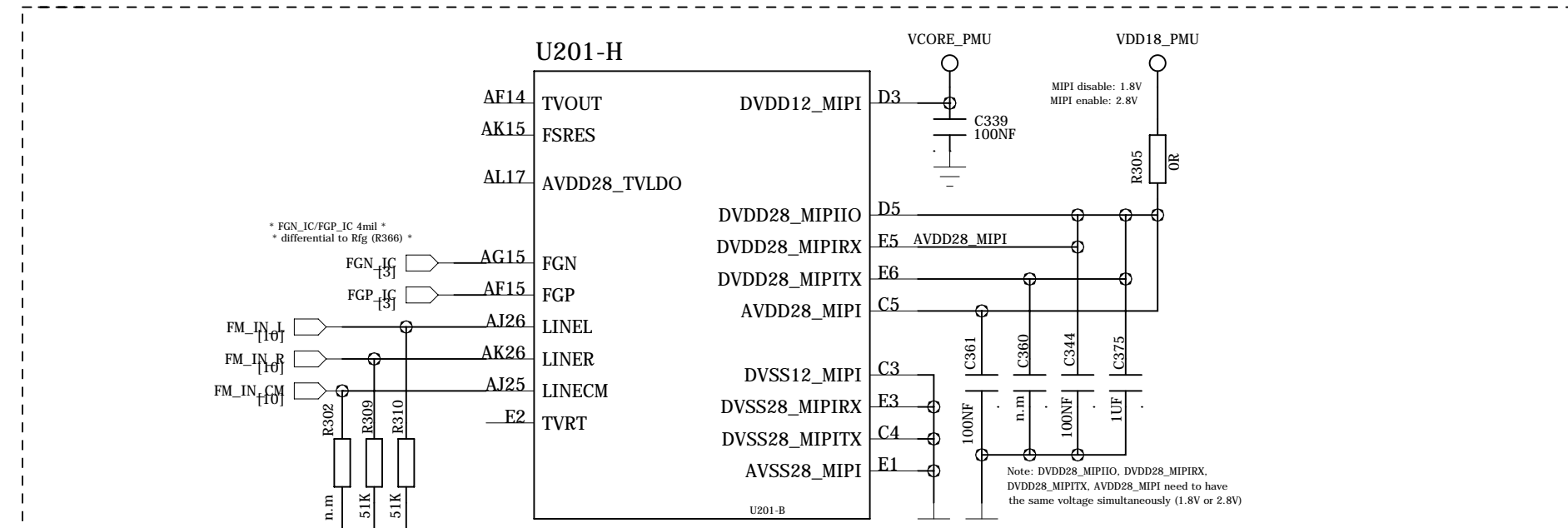


# MT6513 Others

REVISION RECORD			
LTR	ECO NO.	APPROVED:	DATE:

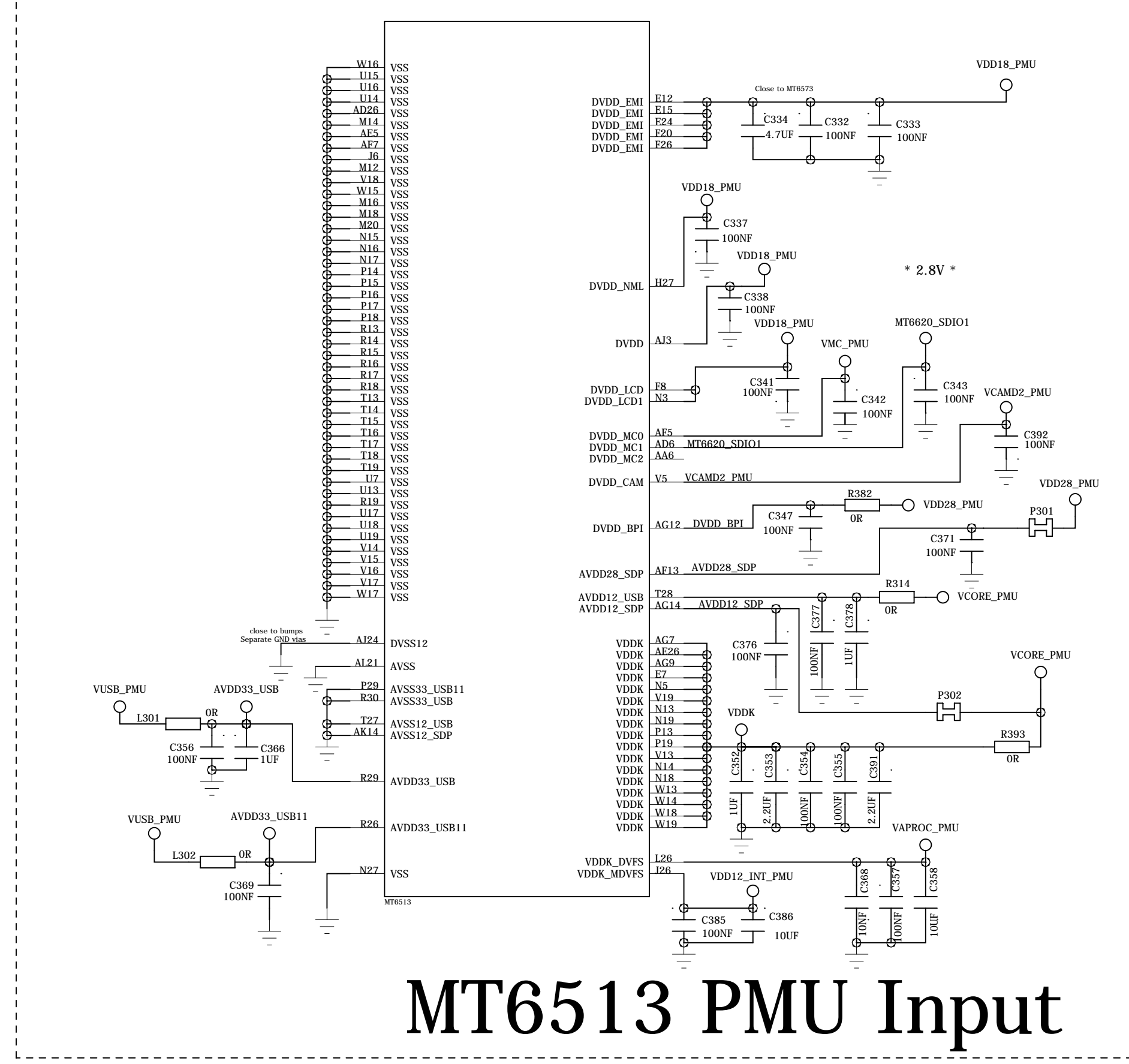
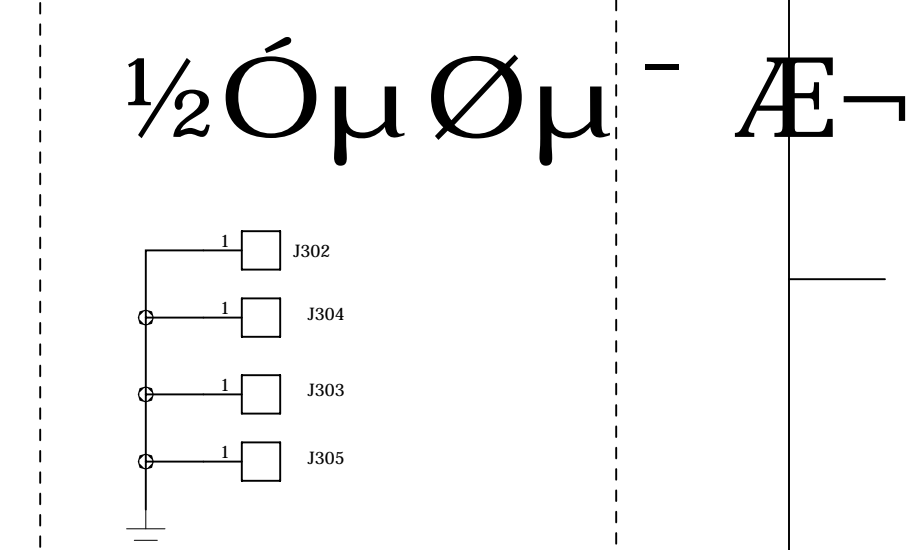


Analog Interface

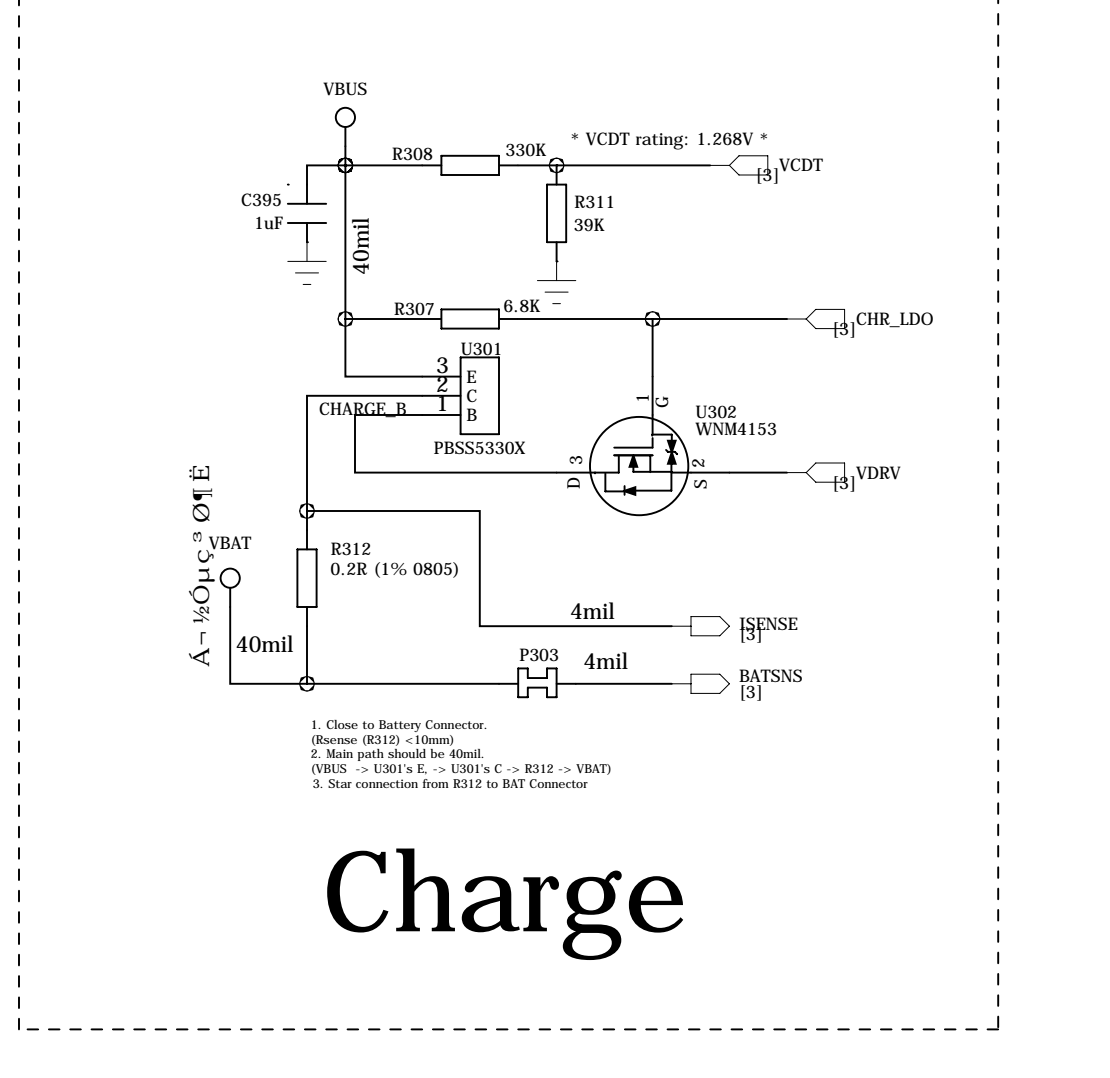


Buck	Symbol	Vout (V)	Iout (mA)
Buck	VPA	0.9 - 3.4 with 0.1 step	600
	VPROC	0.85 - 1.35	600
	VRF18	1.8	250
	VCORE	1.2	600
	VIO1V8	1.8	600
RF LDO	VRF	2.85	200
	VRF18	AC31	
Analog LDO	VTCXO	2.8	10
	VCAMA	1.5/1.8/2.5/2.8	250
	VCAMA2	1.5/1.8/2.5/2.8	100
Digital LDO	VM12	1.2	200
	VM12_INT	1.2 - 1.35	40
	VI028	2.8	100
	VSIM	1.8/3.0	100
Vibrator	VUSB	3.3	100
	VCAMD	1.3/1.5/1.8/2.5/2.8/3.0/3.3	100
	VCAMD2	1.3/1.5/1.8/2.5/2.8/3.0/3.3	100
RTC	VVC	1.3/1.5/1.8/2.5/2.8/3.0/3.3	200
	VRTC	2.8	1

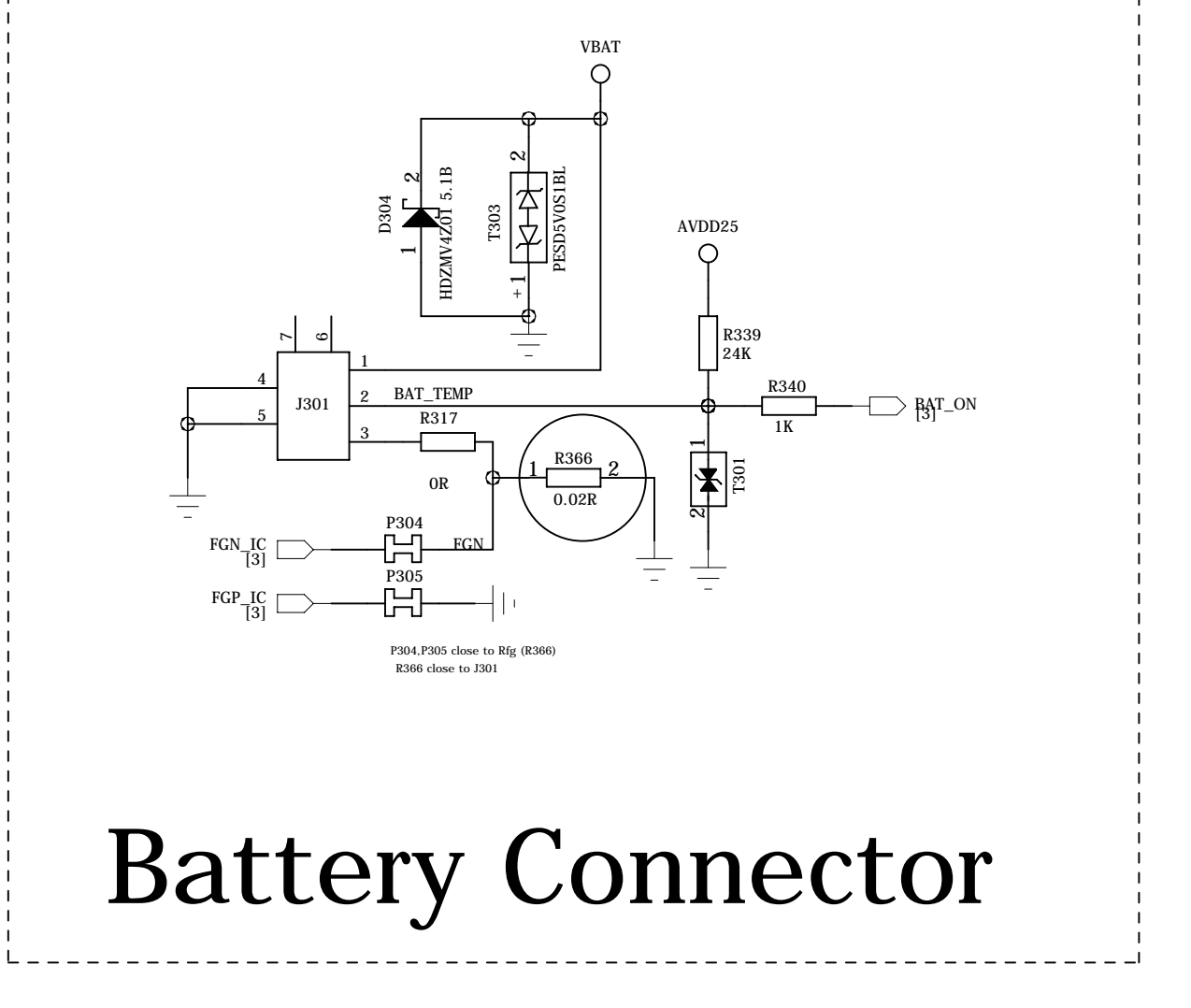
MT6513 PMU Output



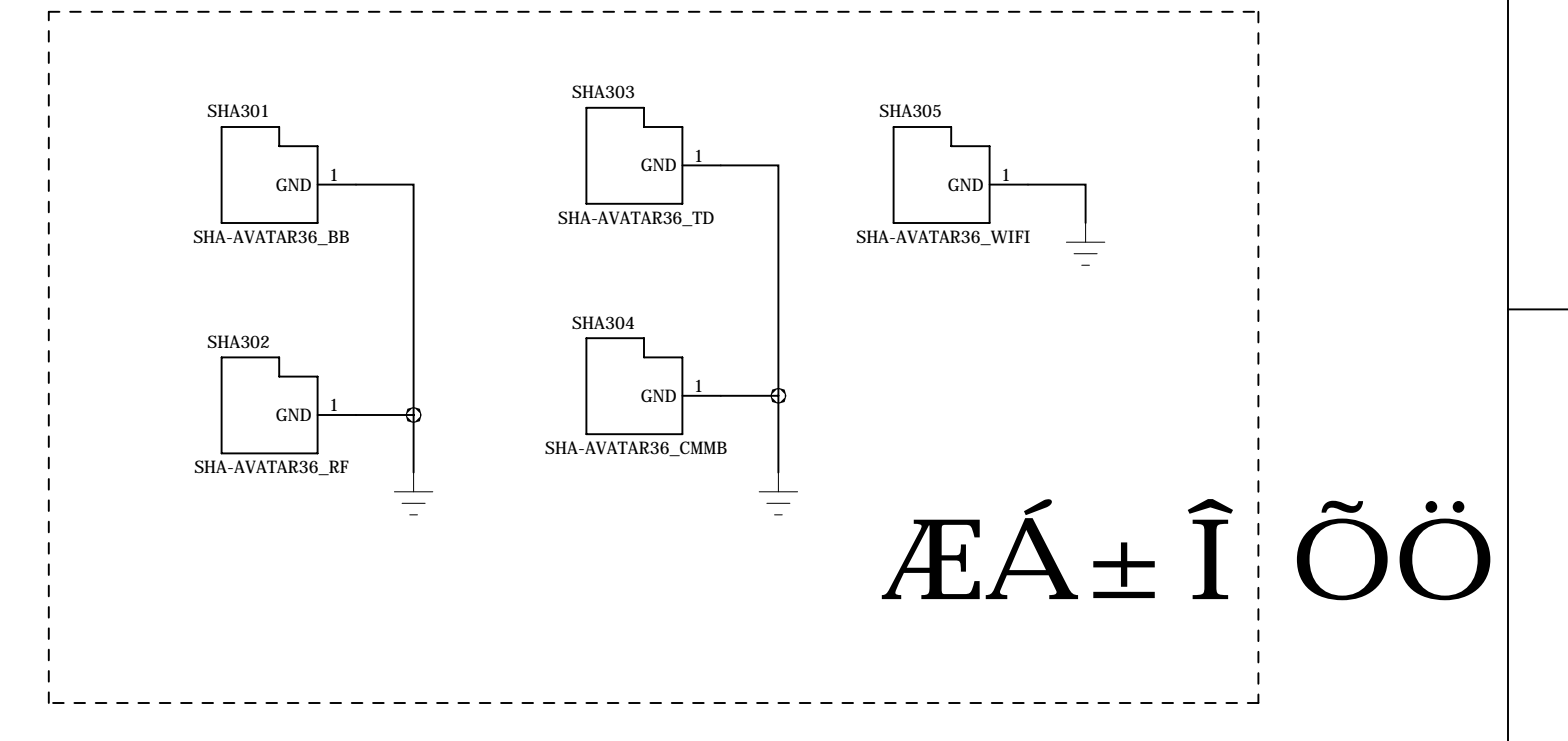
MT6513 PMU Input



Charge



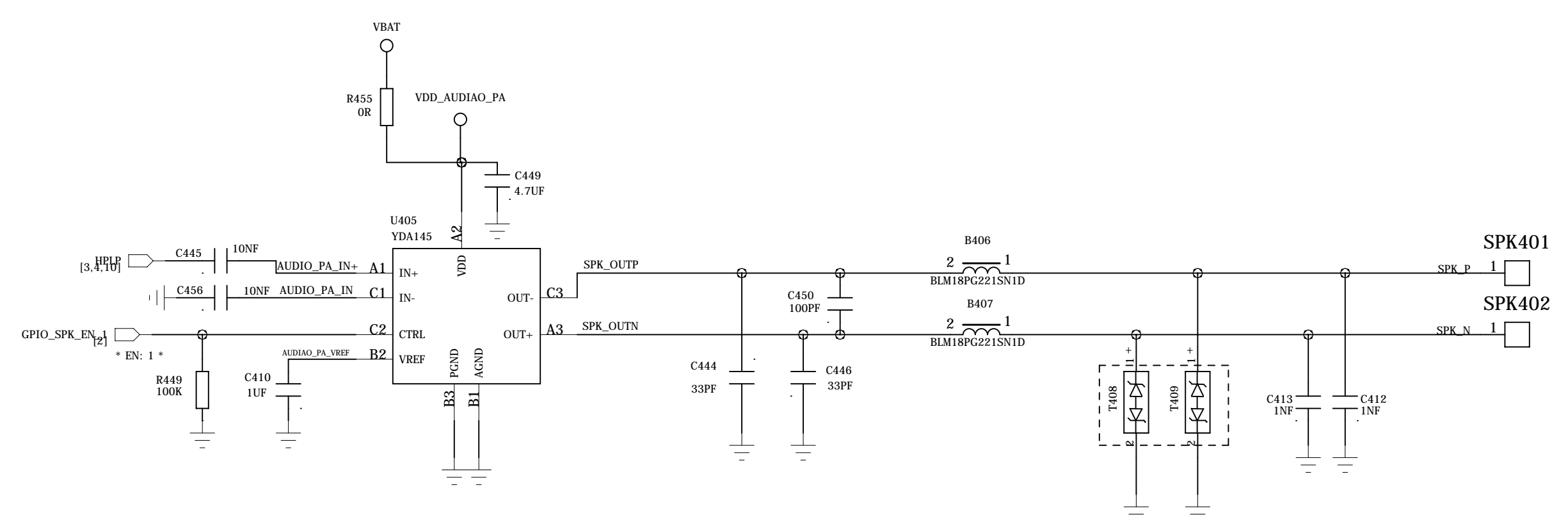
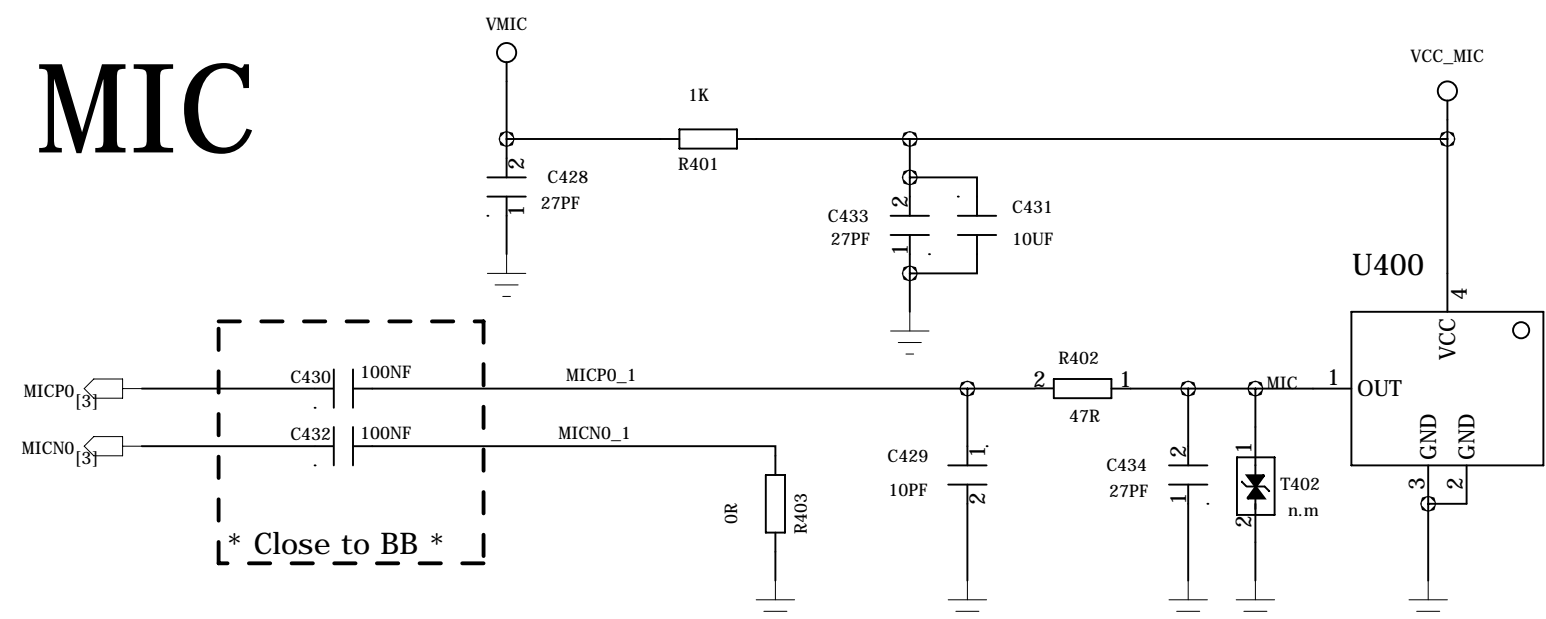
Battery Connector



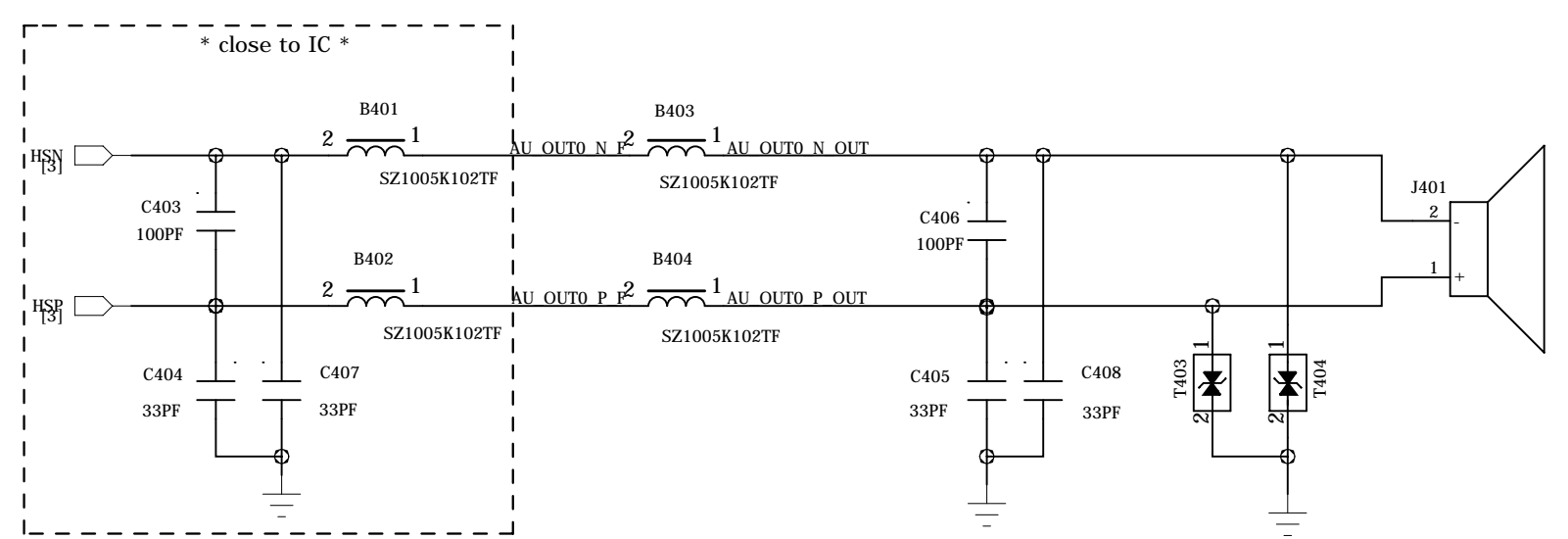
DRAWN: <b>linfenga</b>		DATED: <b>2011-11-25</b>		COMPANY: <b>LENOVOMOBILE</b>			
CHECKED: <b>liguoa</b>		DATED: <b>&lt;Checked Date&gt;</b>		TITLE: <b>A366T_MB_H302</b>			
QUALITY CONTROL: <b>&lt;QC By&gt;</b>		DATED: <b>&lt;QC Date&gt;</b>		CODE: <b>&lt;Code&gt;</b>	SIZE: <b>D</b>	DRAWING NO: <b>03_MT6513_-_POWER_AND_ABB</b>	REV: <b>V2.1</b>
RELEASED: <b>&lt;Released By&gt;</b>		DATED: <b>&lt;Release Date&gt;</b>					

REVISION RECORD			
L/R	ECO NO.	APPROVED	DATE

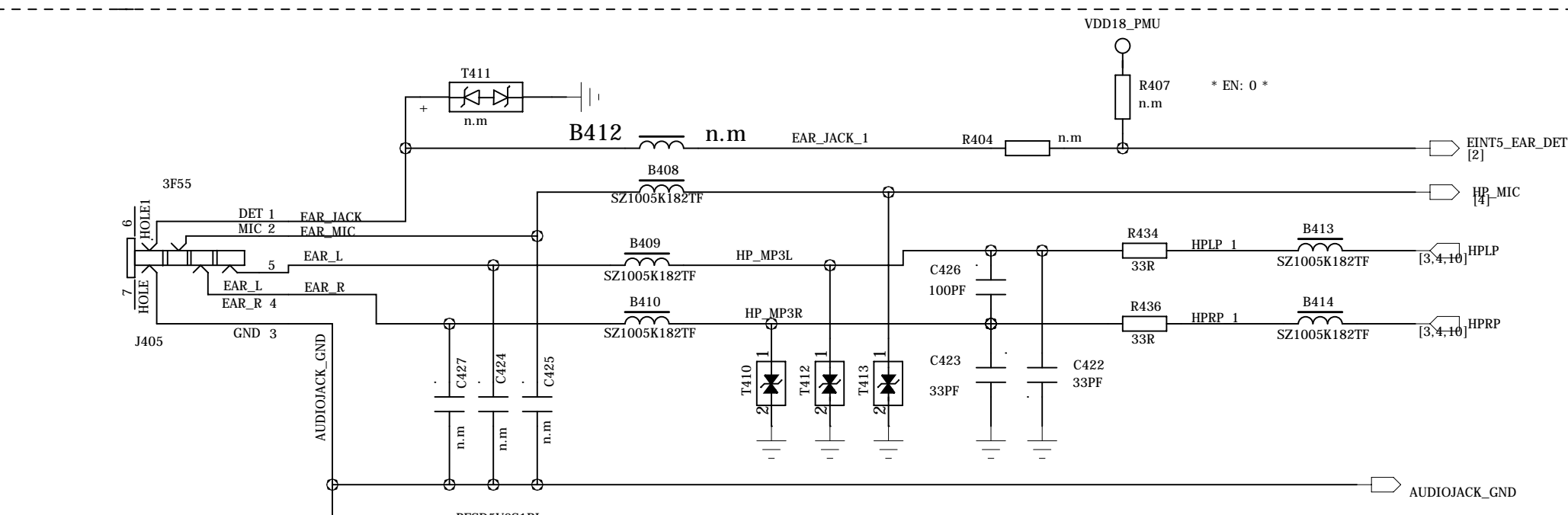
# MIC



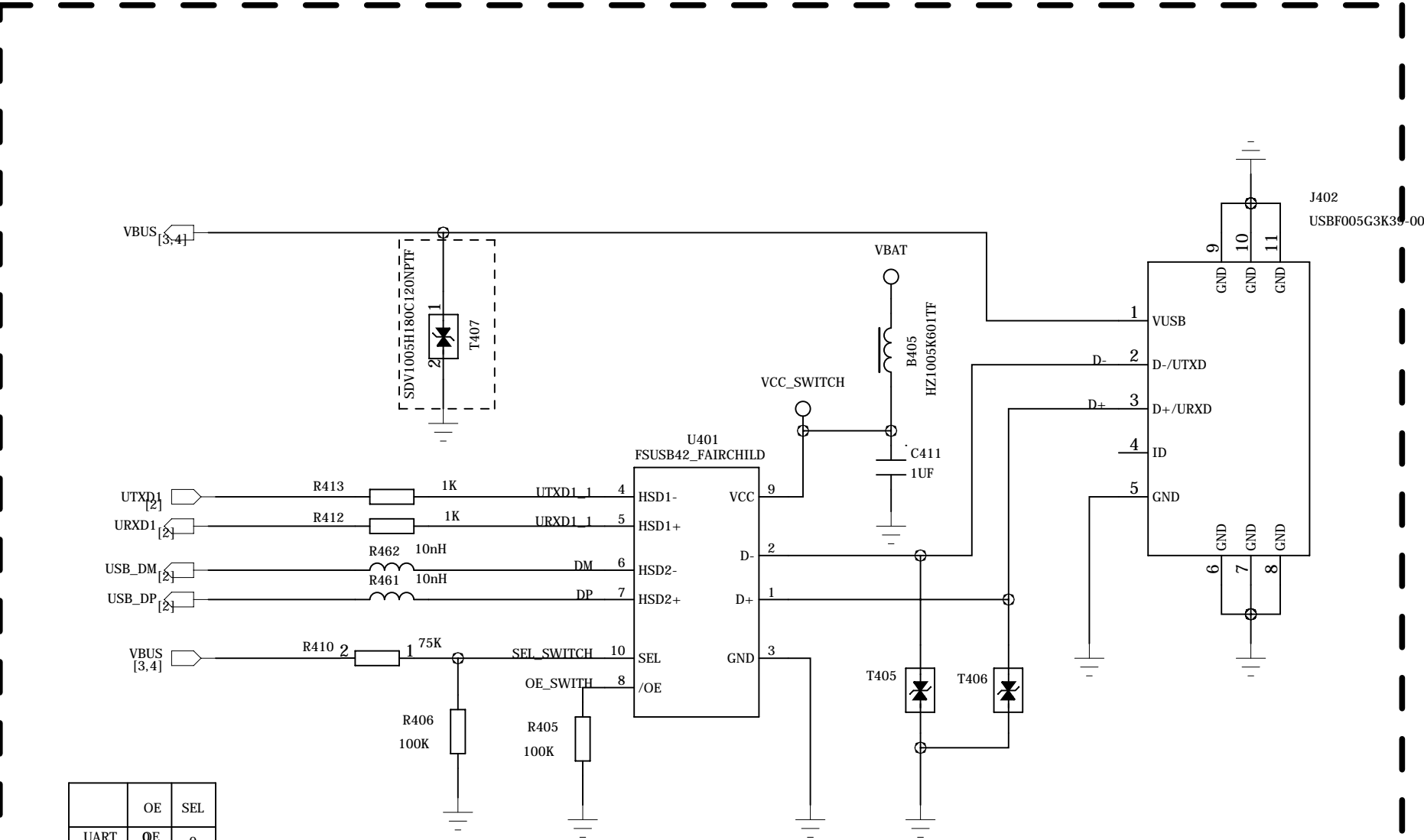
# SPEAKER



# RECEIVER



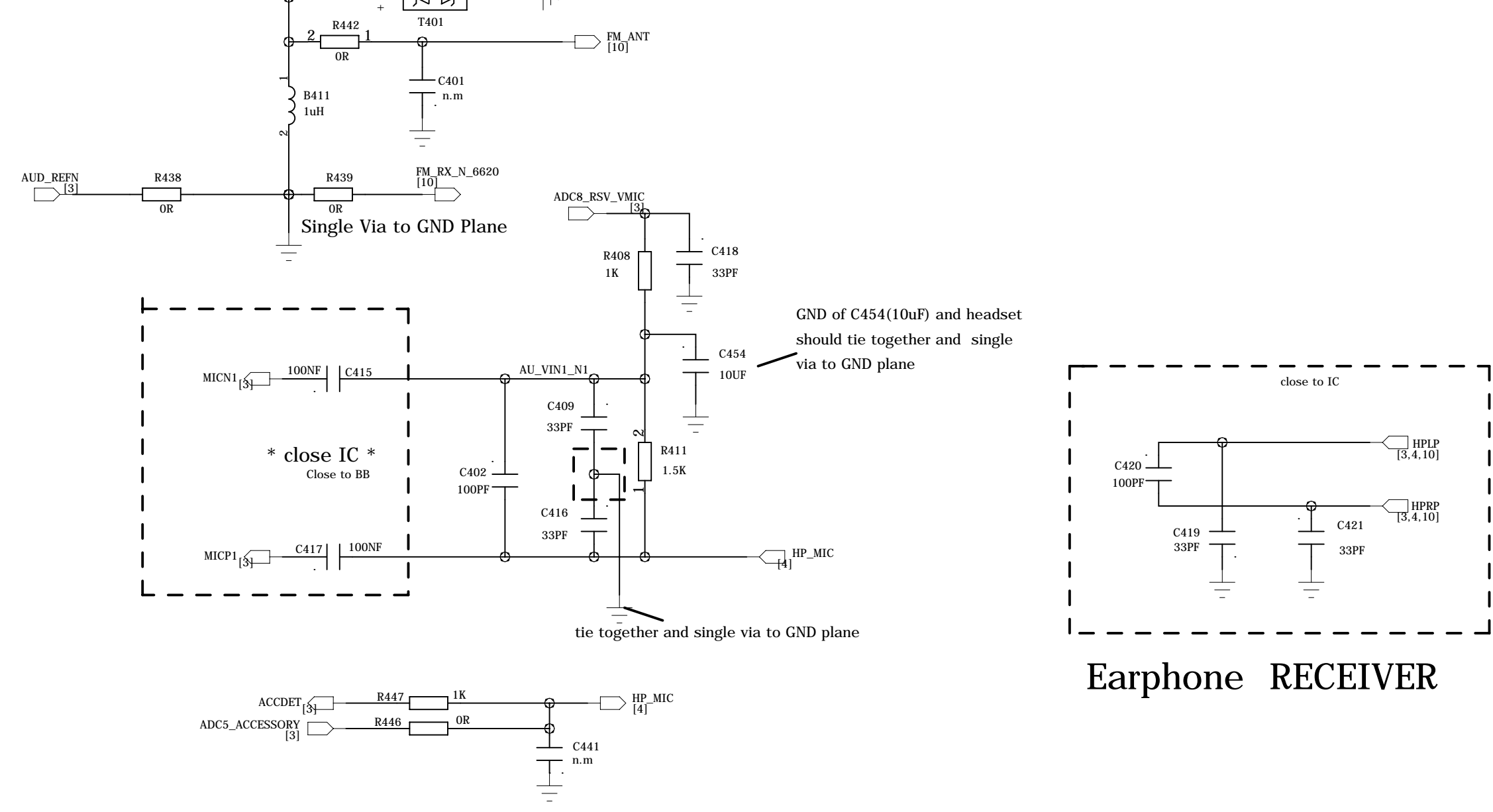
# VIBRATOR



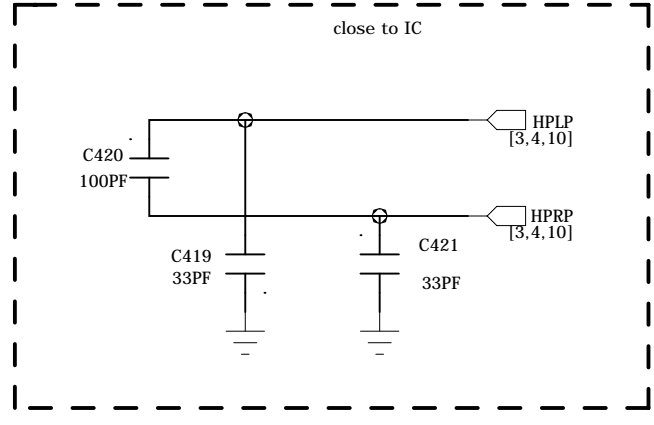
# IO CONNECTOR

default on : UART1

UART	OE	SEL
0	0	0
USB	0	1



# Earphone MICPHONE



# Earphone RECEIVER

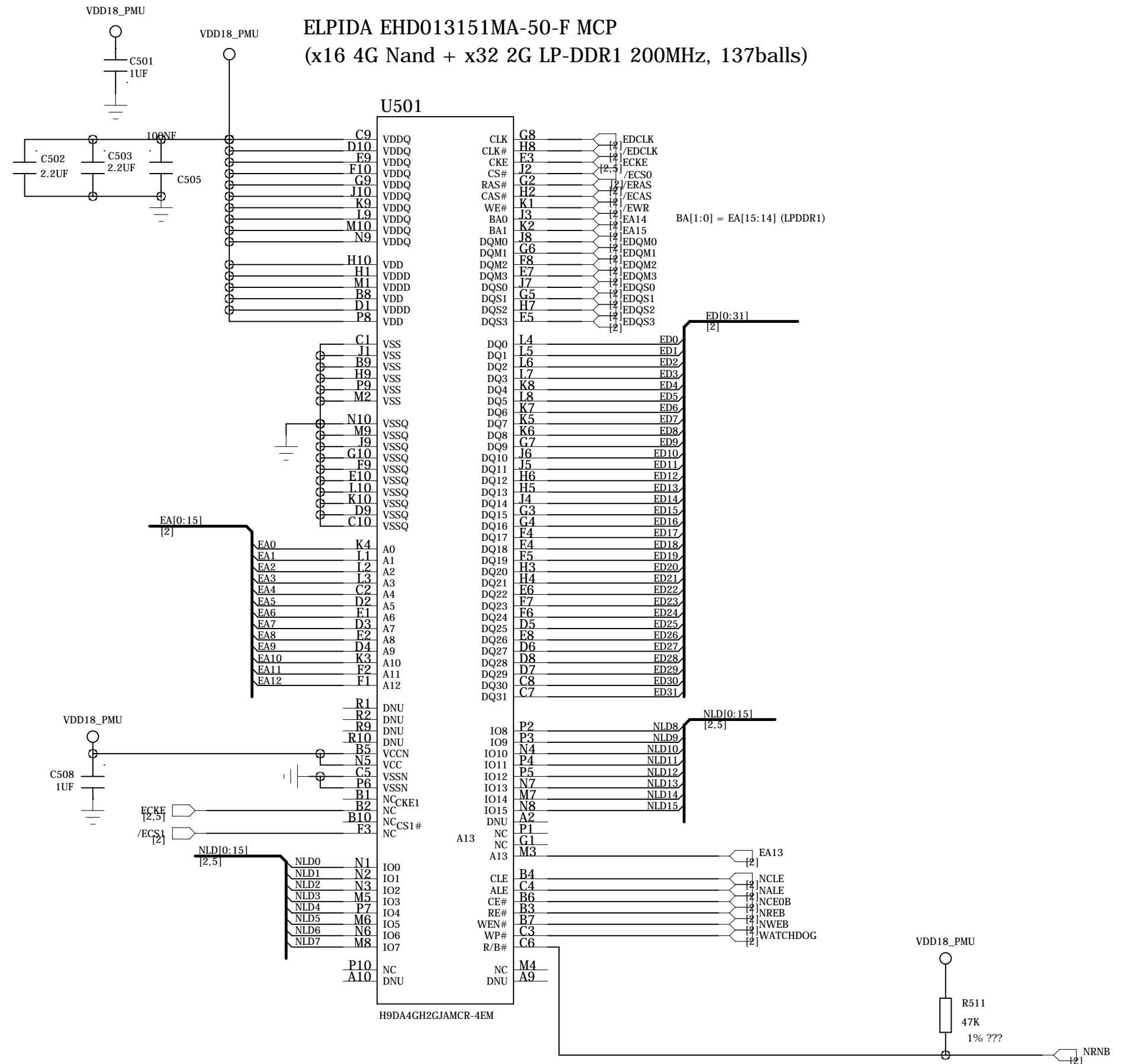
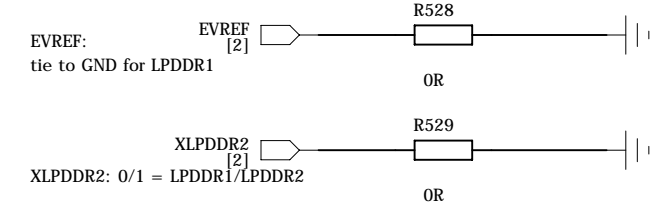
# F3.5 Earphone

COMPANY: LENOVMOBILE

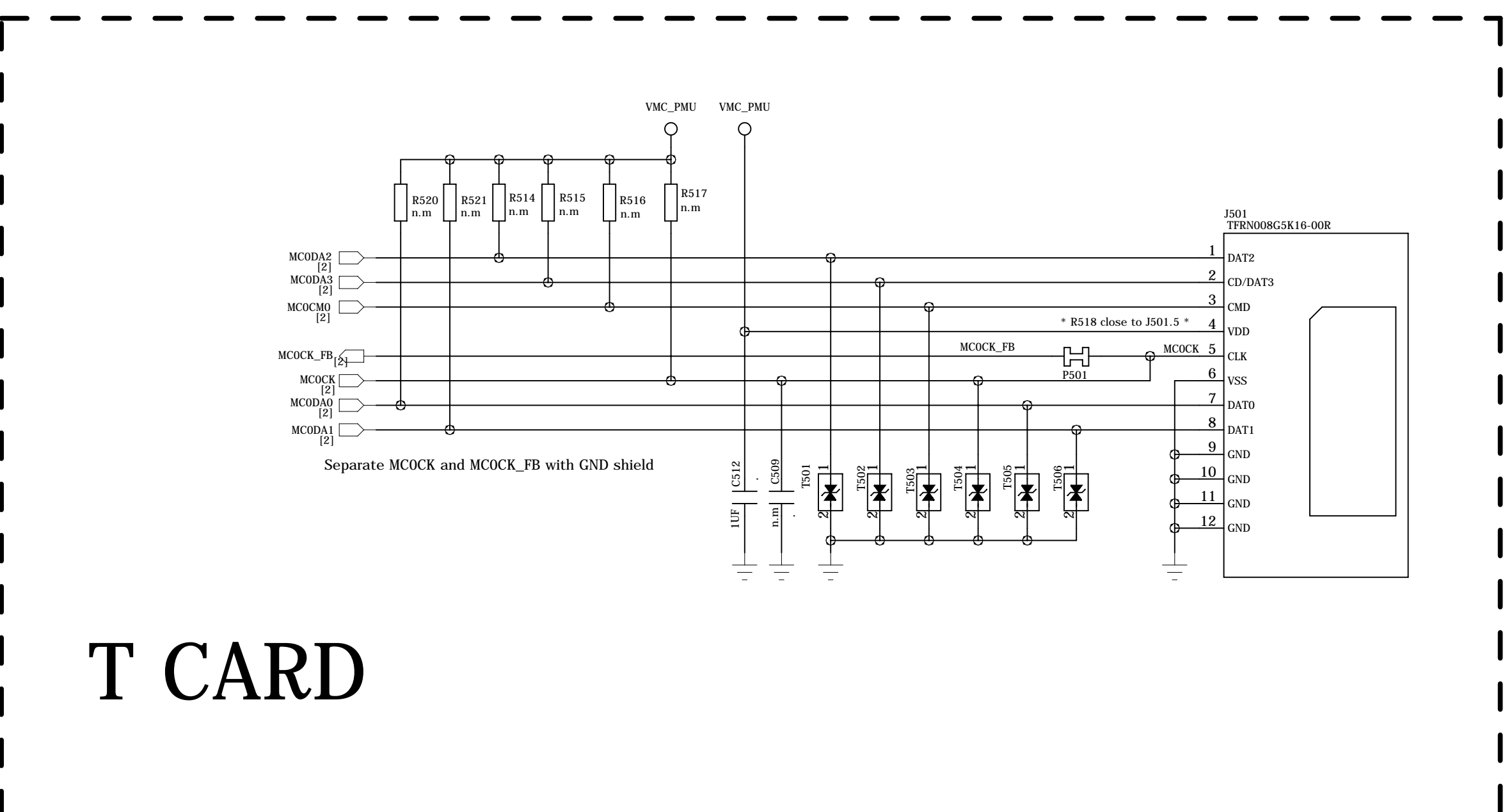
TITLE: A366T\_MB\_H302

DRAWN: linfenga	DATED: 2011-11-25	CODE: <Code>	SIZE: D	DRAWING NO: 04_AUDIO_I/O_USB/MOTO	REV: V2.1
CHECKED: liguo	DATED: <Checked Date>	QUALITY CONTROL: <QC By>	DATED: <QC Date>	RELEASED: <Released By>	DATED: <Release Date>

REVISION RECORD			
LTR	ECO NO.	APPROVED:	DATE:



MCP

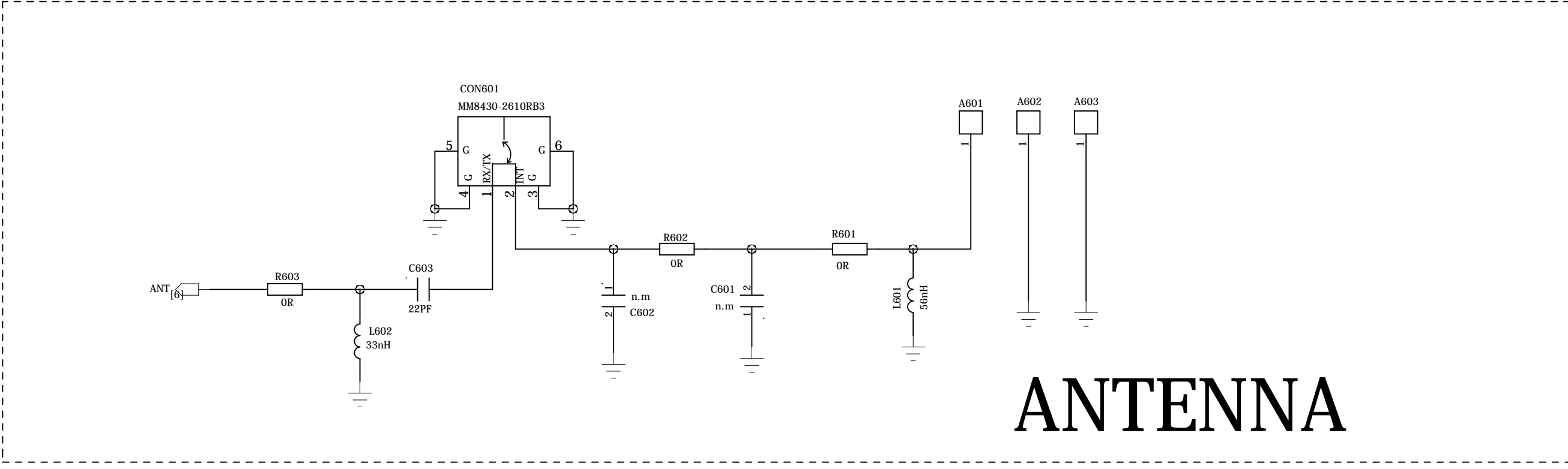


T CARD

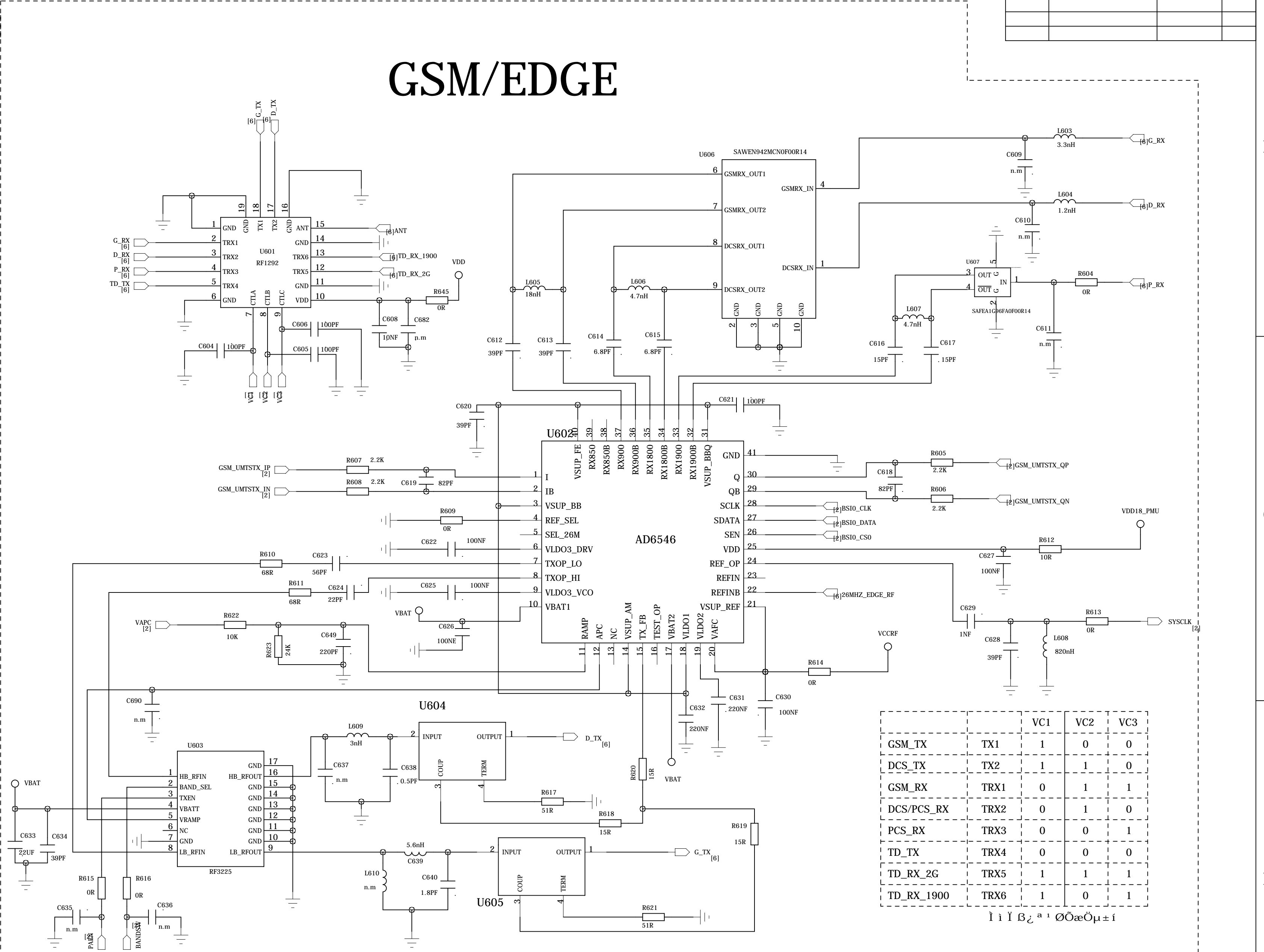


DRAWN: linfenga		DATED: 2011-11-25		COMPANY: LENOVO MOBILE	
CHECKED: <QC By>		DATED: <QC Date>		TITLE: A366T_MB_H302	
QUALITY CONTROL: <QC By>		DATED: <QC Date>		CODE: <Code>	SIZE: D
RELEASED: <Release Date>		DATED: <Release Date>		DRAWING NO: 05_MEMORY/T_CARDV2.1	
SCALE: <Scale>				SHEET: 5OF 10	

REVISION RECORD			
LTR	ECO NO:	APPROVED:	DATE:

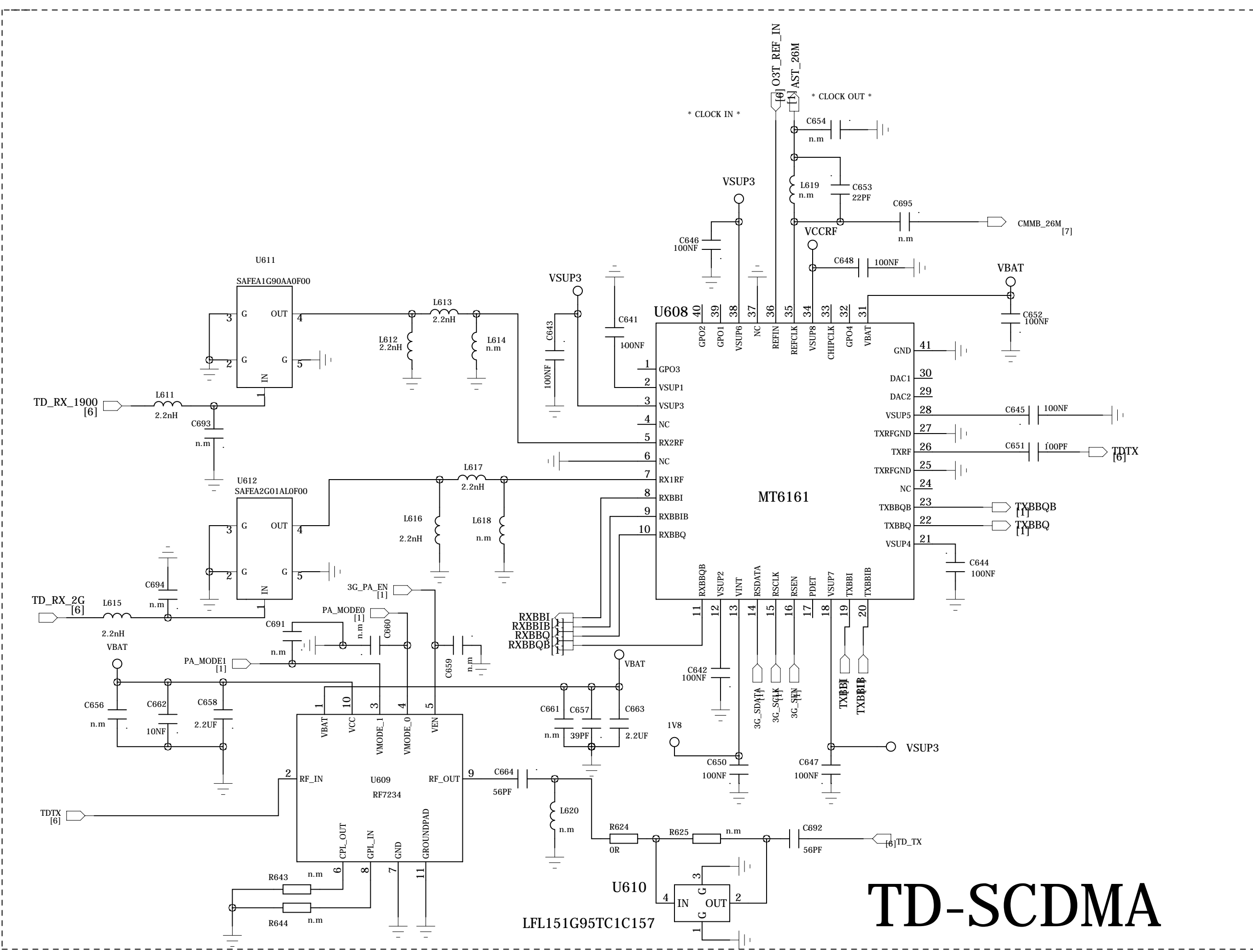


### ANTENNA

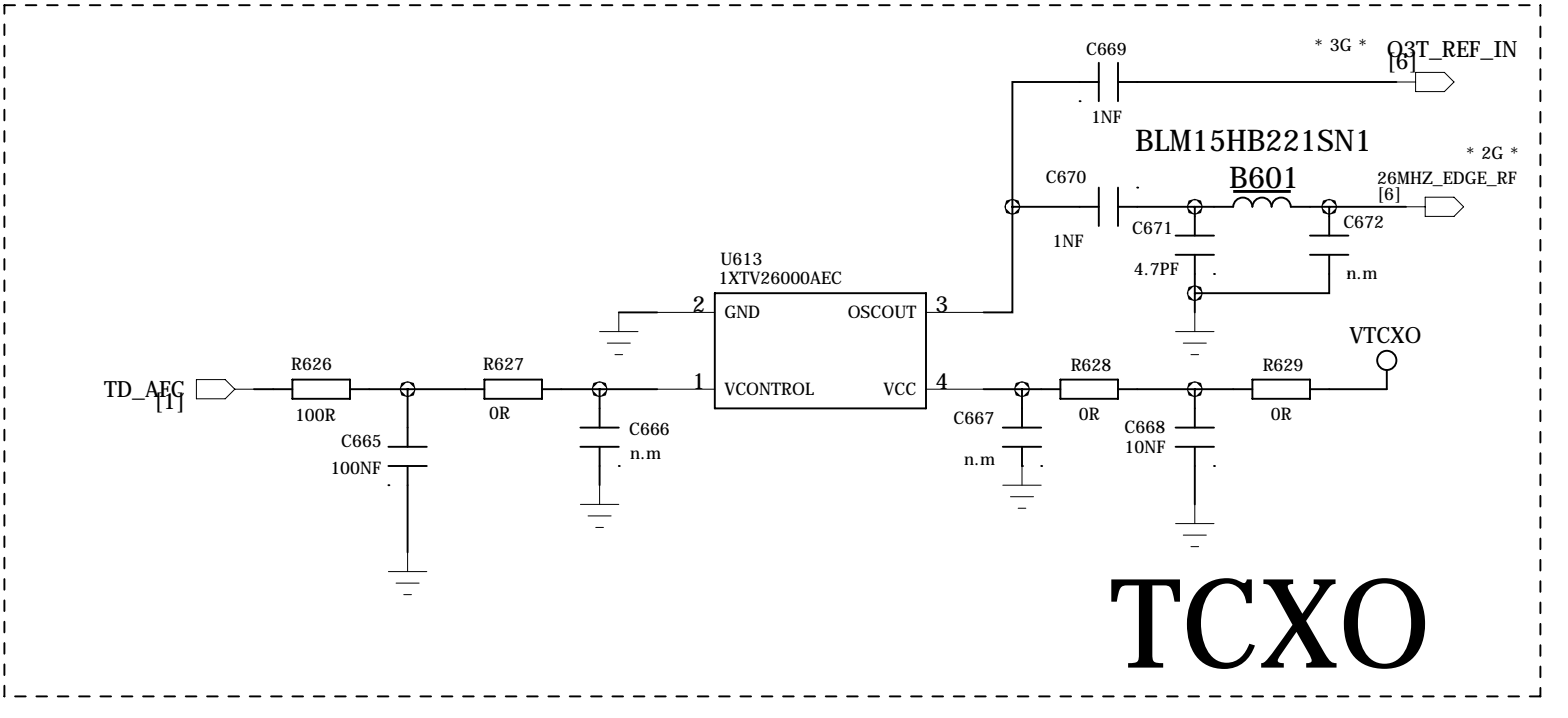


### GSM/EDGE

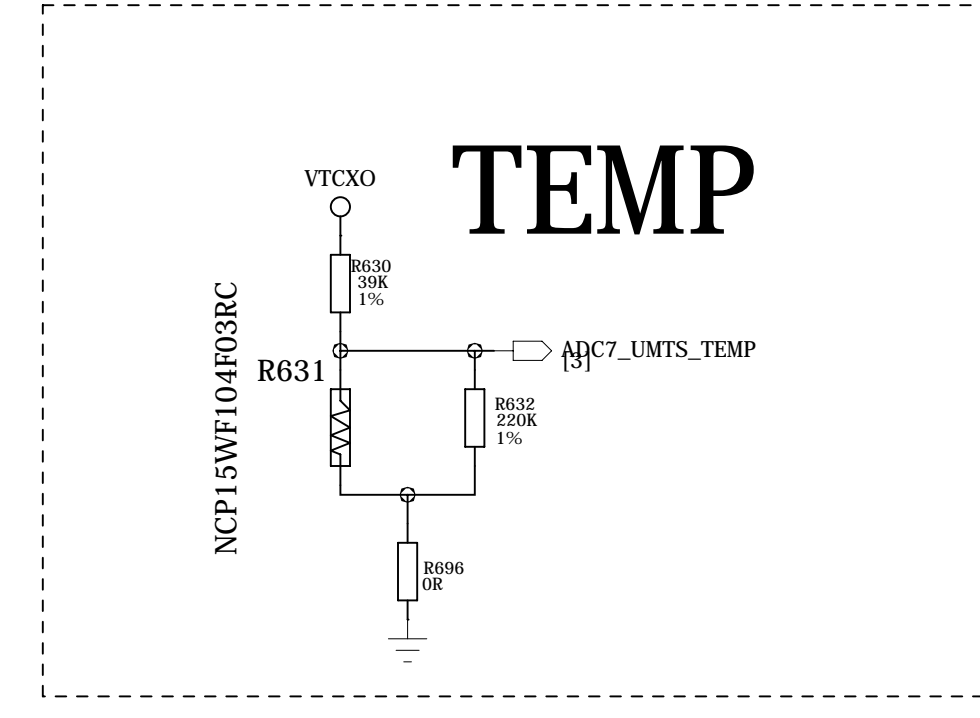
		VC1	VC2	VC3
GSM_TX	TX1	1	0	0
DCS_TX	TX2	1	1	0
GSM_RX	TRX1	0	1	1
DCS/PCS_RX	TRX2	0	1	0
PCS_RX	TRX3	0	0	1
TD_TX	TRX4	0	0	0
TD_RX_2G	TRX5	1	1	1
TD_RX_1900	TRX6	1	0	1



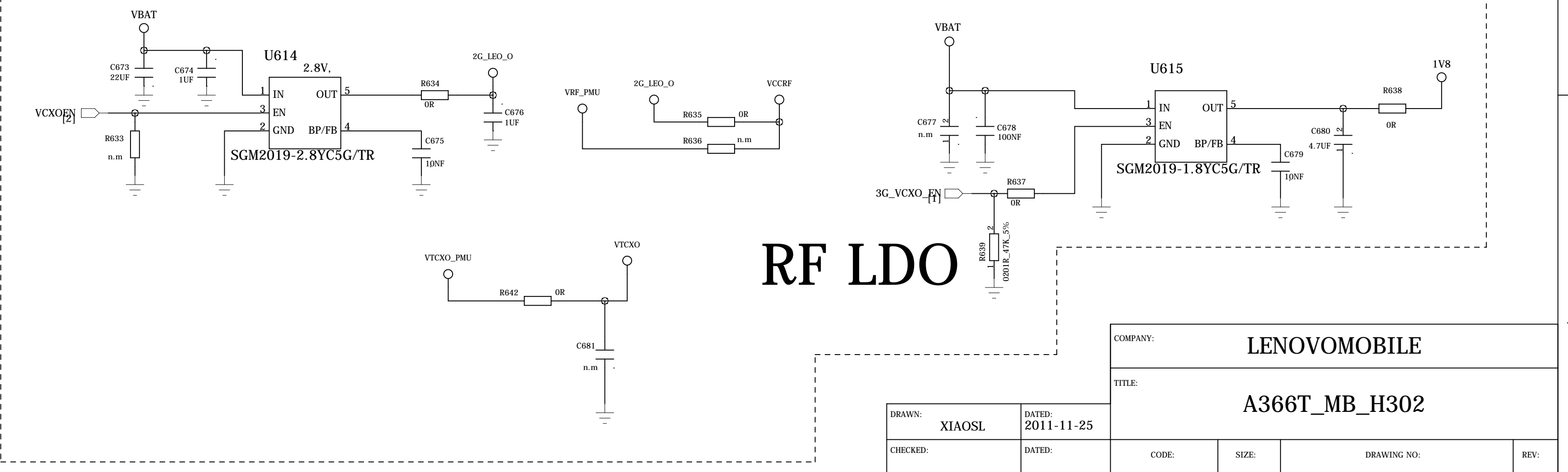
### TD-SCDMA



### TCXO



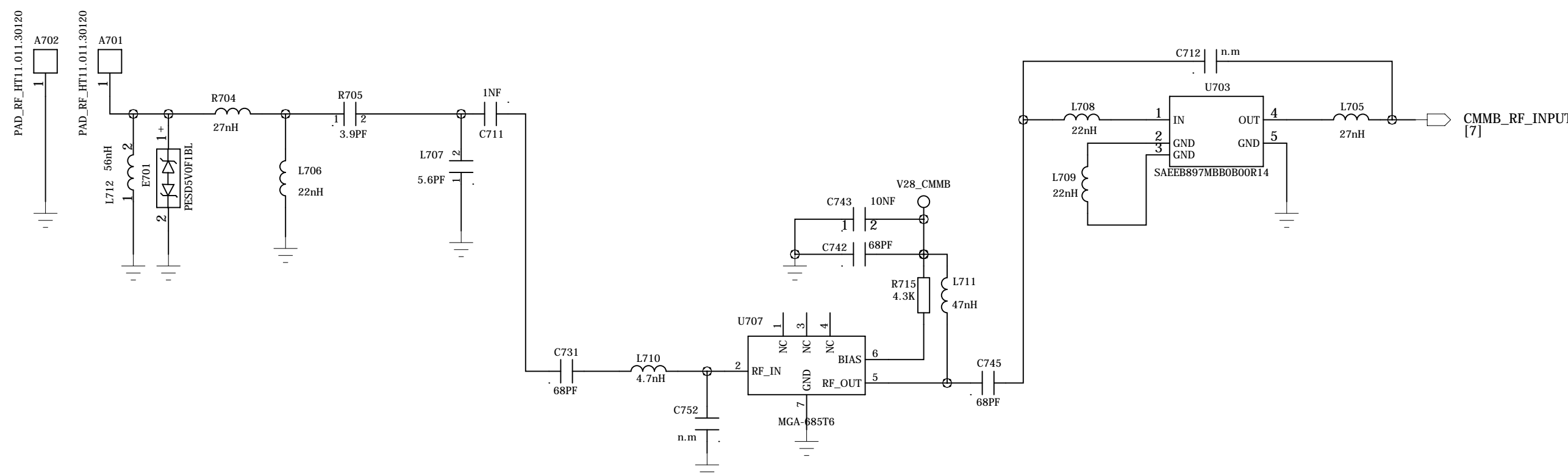
### TEMP



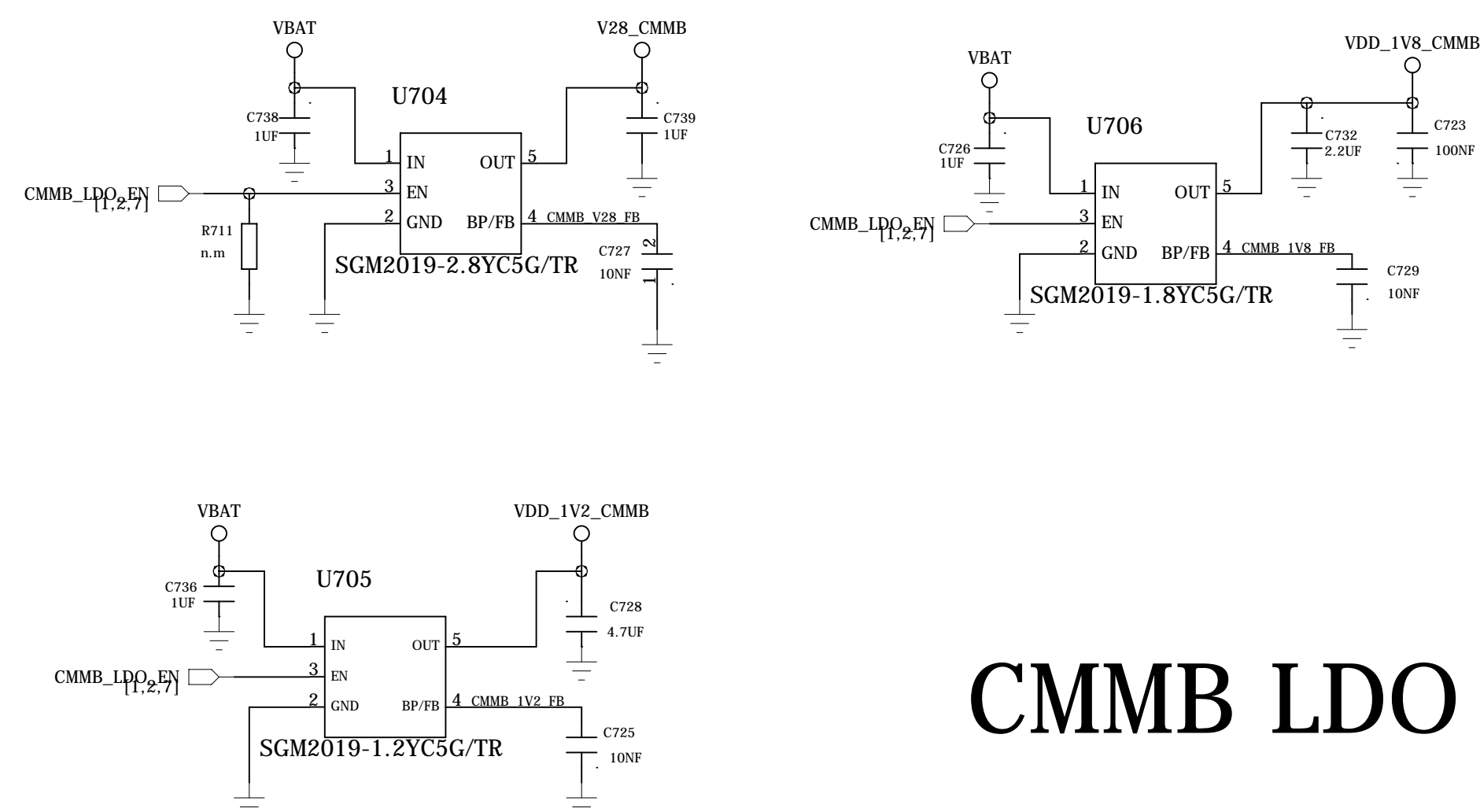
### RF LDO

COMPANY:		LENOVOMOBILE			
TITLE:		A366T_MB_H302			
DRAWN:	XIAOSL	DATED:	2011-11-25	CODE:	<Code>
CHECKED:		DATED:		SIZE:	D
QUALITY CONTROL:	<QC By>	DATED:	<QC Date>	DRAWING NO:	06_2G_3G_RF
RELEASED:	<Released By>	DATED:	<Release Date>	REV:	V2.1
SCALE:		<Scale>		SHEET: 6 of 10	

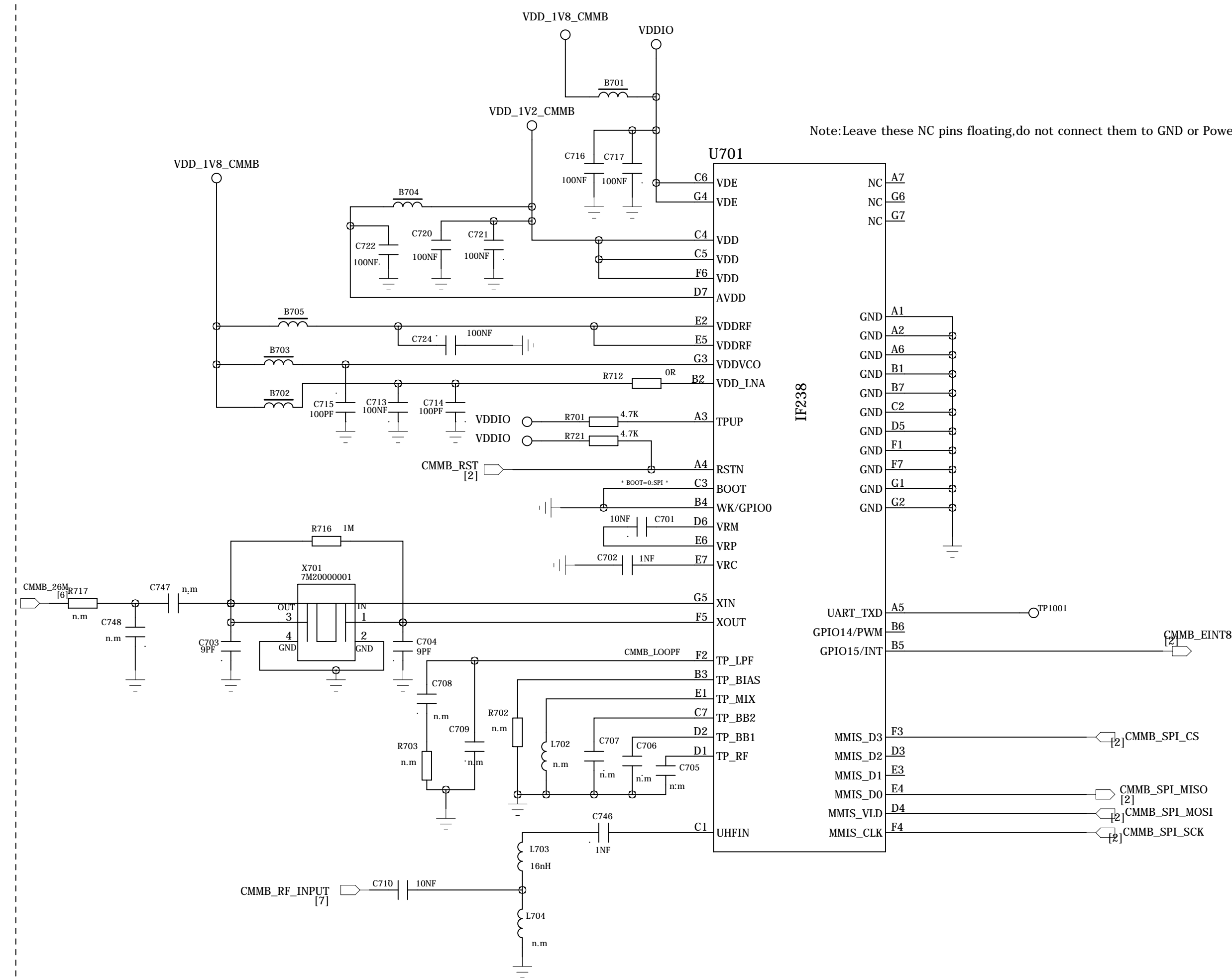
REVISION RECORD			
LTR	ECO NO:	APPROVED:	DATE:



### CMMB ANTENNA



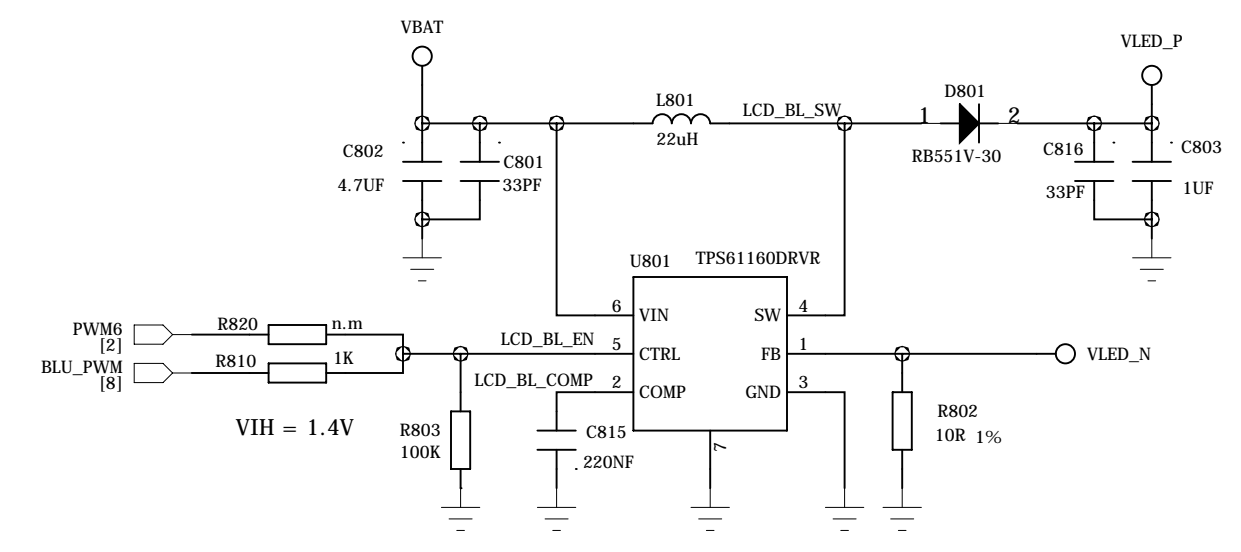
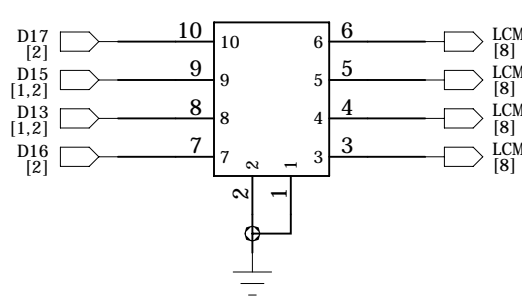
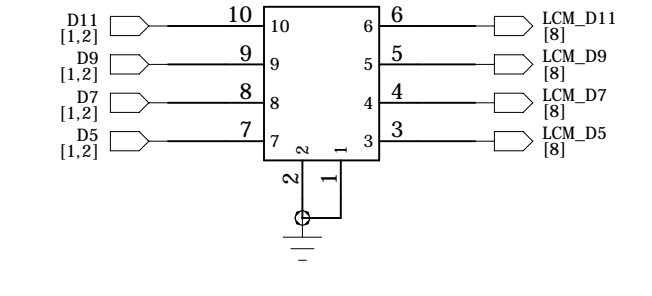
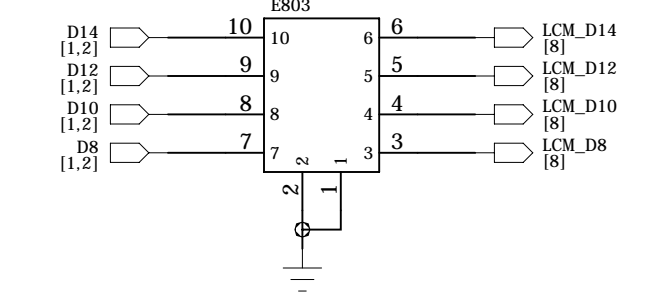
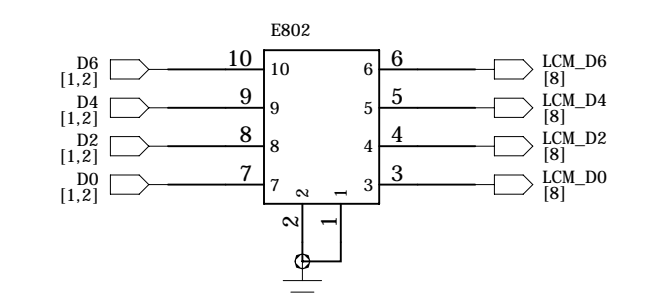
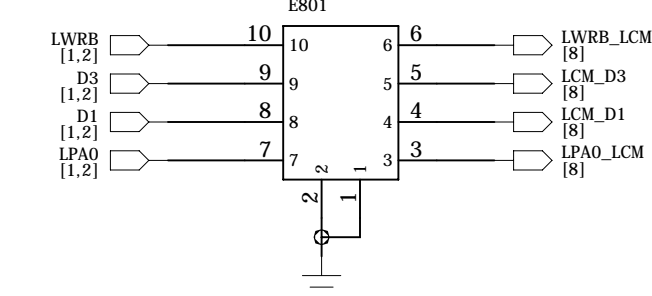
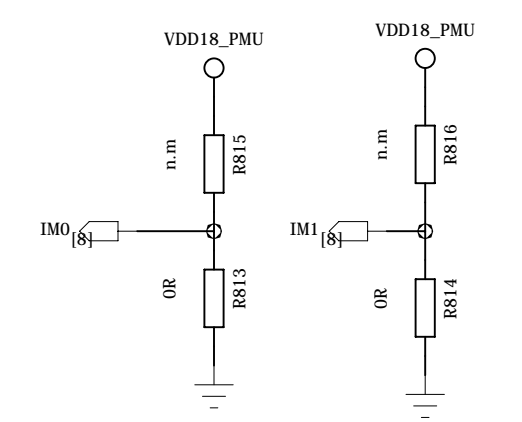
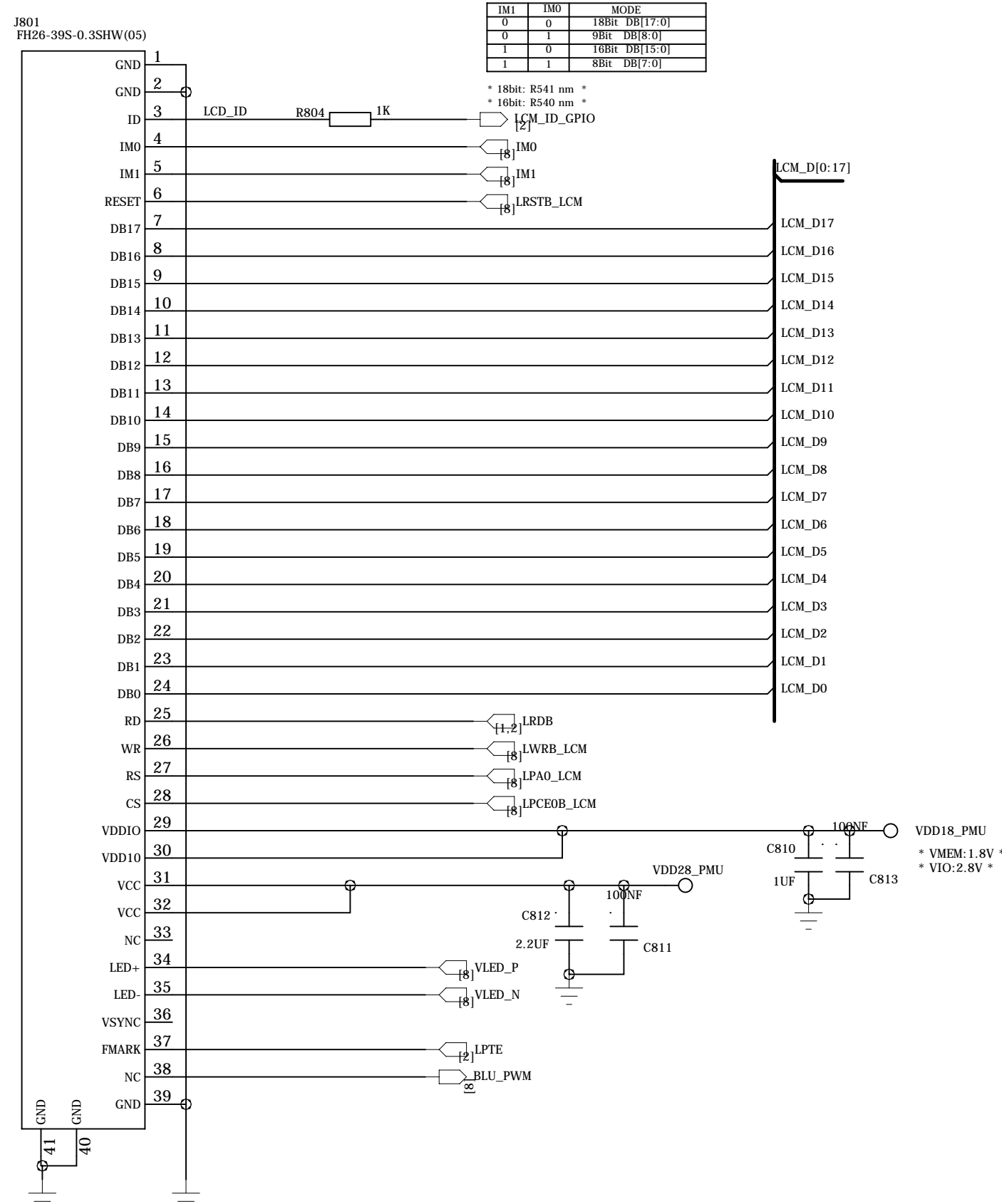
### CMMB LDO



### IF238

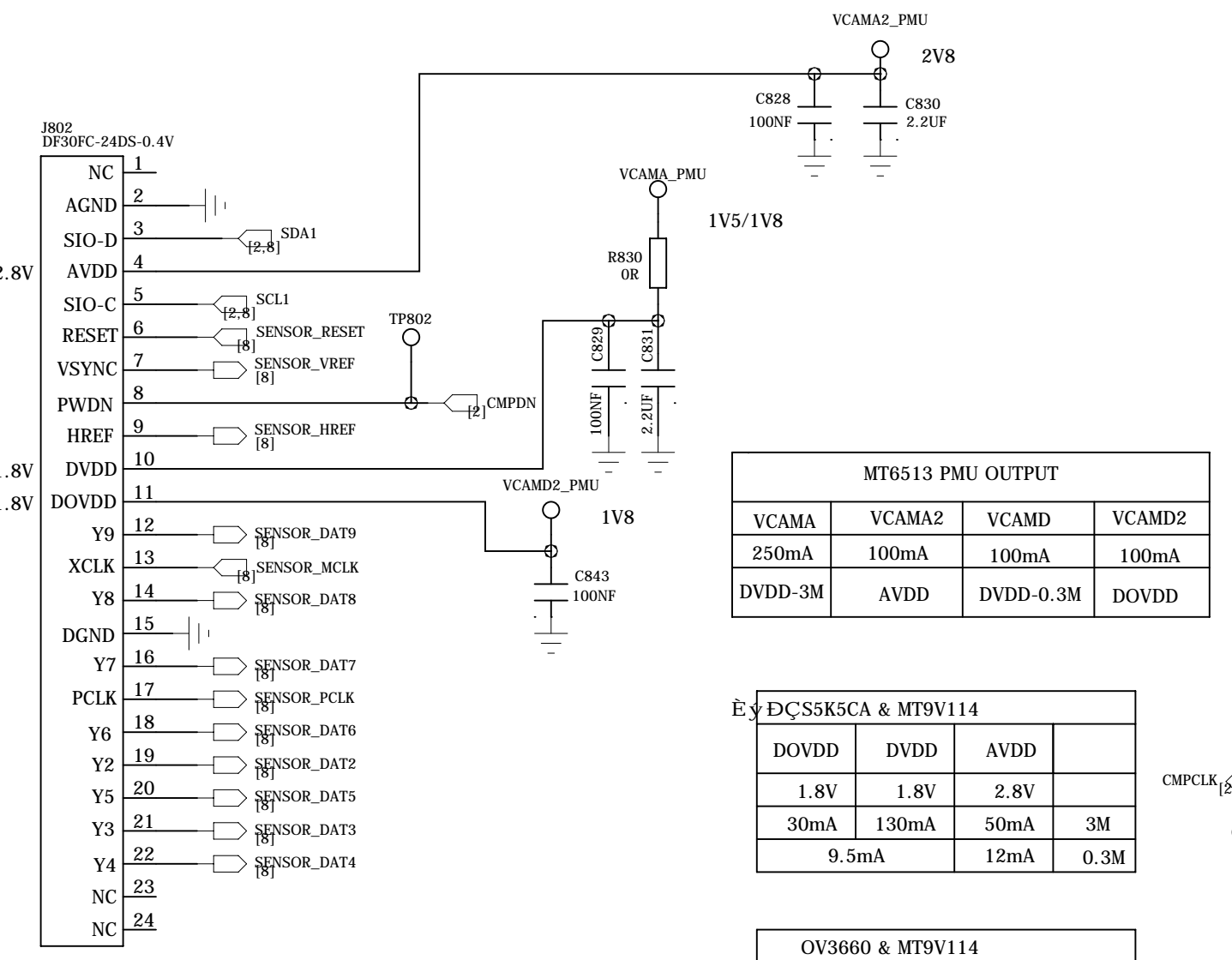
Note: Leave these NC pins floating, do not connect them to GND or Power

REVISION RECORD			
LTR	ECO NO.	APPROVED:	DATE:



# LCD BACKLIGHT

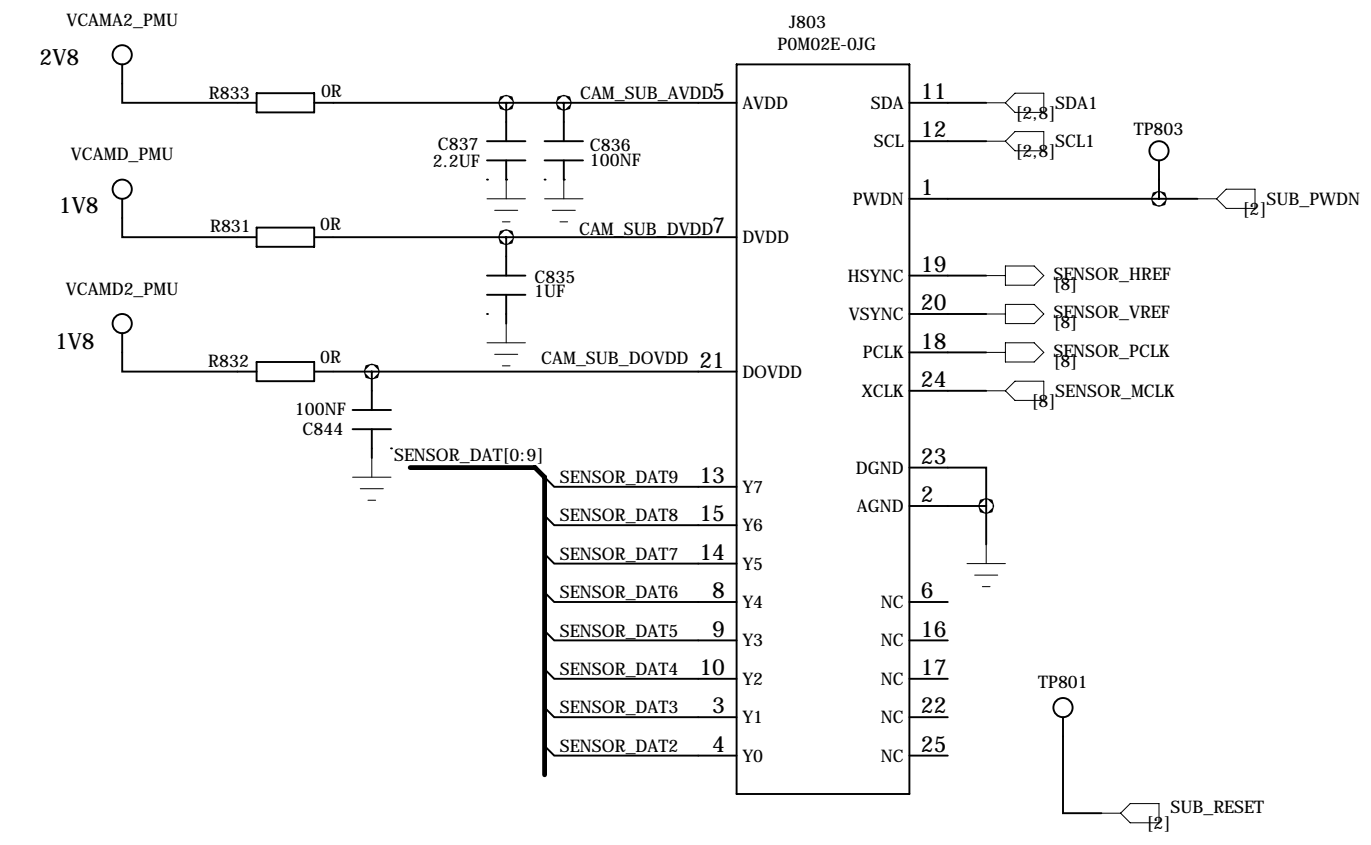
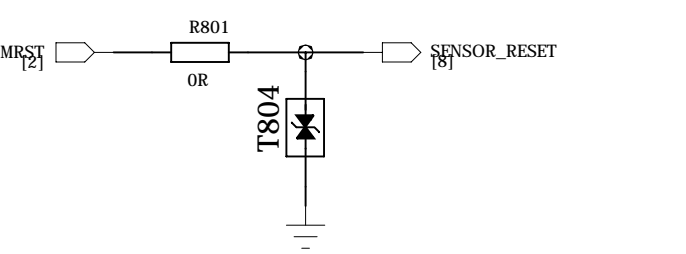
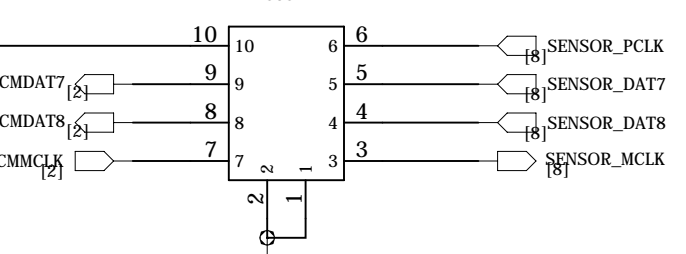
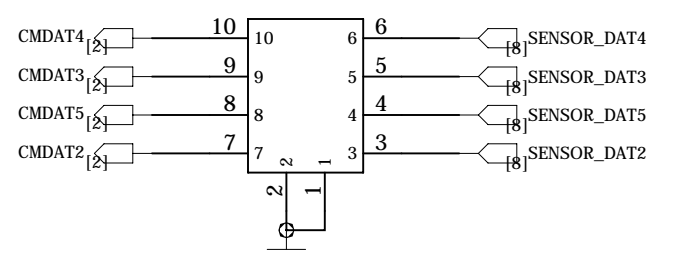
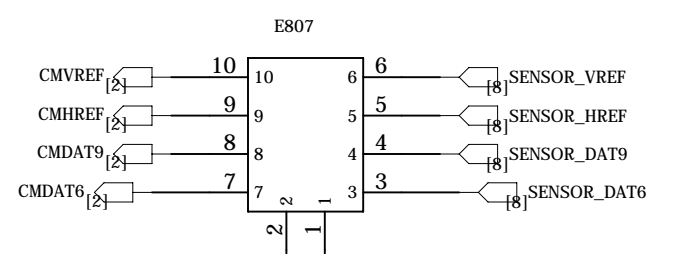
# LCM



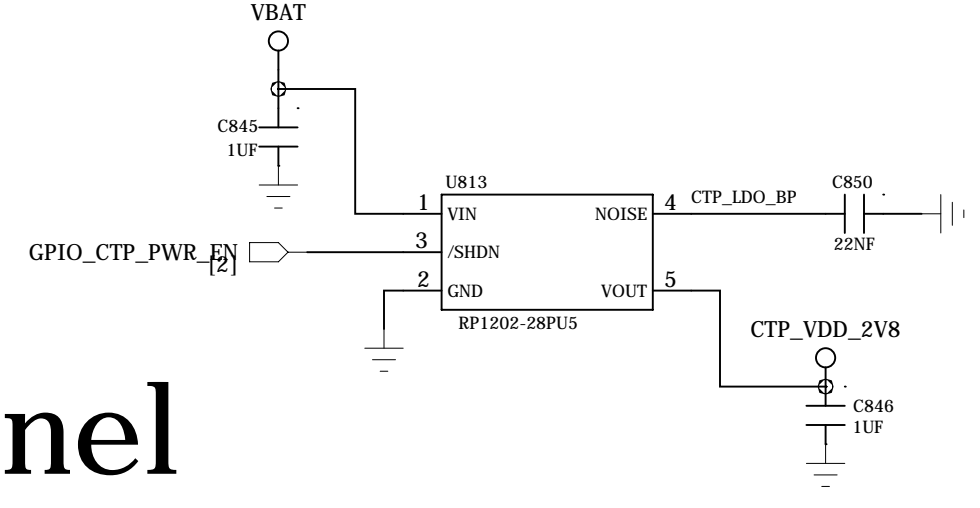
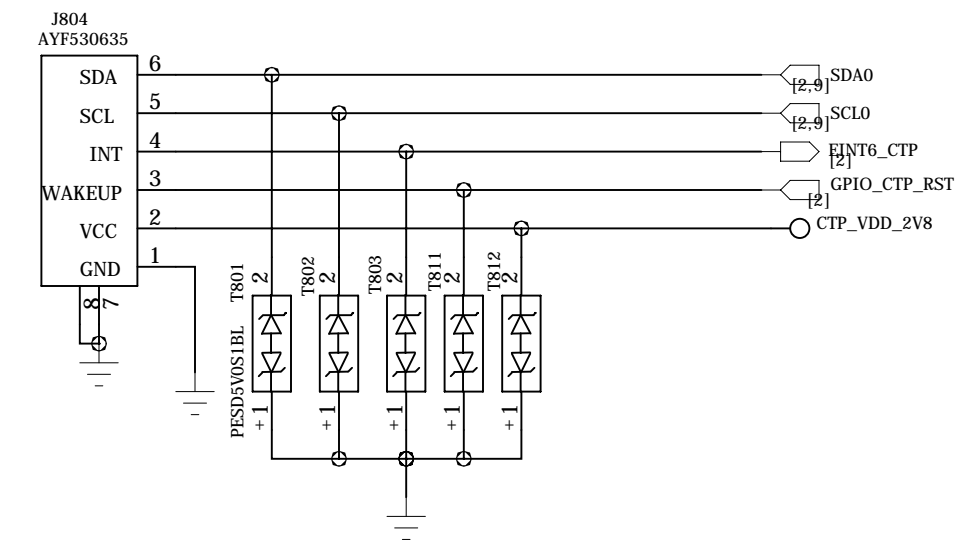
MT6513 PMU OUTPUT			
VCAMA	VCAMA2	VCAMD	VCAMD2
250mA	100mA	100mA	100mA
DVDD-3M	AVDD	DVDD-0.3M	DOVDD

DC55K5CA & MT9V114			
DOVDD	DVDD	AVDD	
1.8V	1.8V	2.8V	
30mA	130mA	50mA	3M
9.5mA	12mA	0.3M	

OV3660 & MT9V114			
DOVDD	DVDD	AVDD	
1.8V	1.5V	2.8V	
4mA	64mA	28mA	3M
9.5mA	12mA	0.3M	



# Sub Camera\_0.3M



# Touch Panel

# Camera

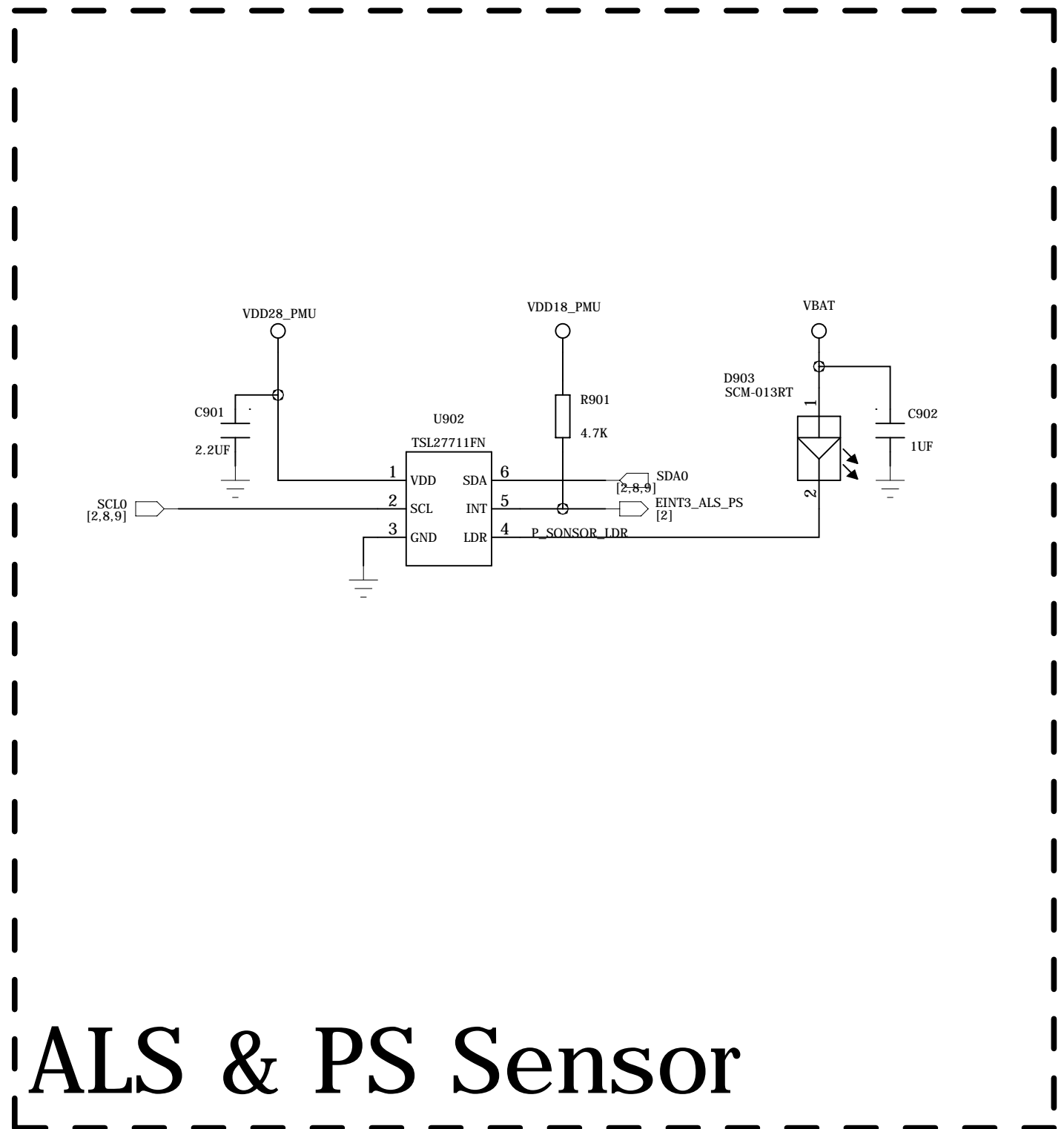
# Main Camera\_3M

COMPANY: LENOVMOBILE				
TITLE: A366T_MB_H302				
DRAWN: linfenga	DATED: 2011-11-25	CODE: <Code>	SIZE: D	DRAWING NO: <Drawing Number>
CHECKED: ligoua	DATED: <Checked Date>	SCALE: <Scale>	REV: V2.1	
QUALITY CONTROL: <QC By>	DATED: <QC Date>			
RELEASED: <Released By>	DATED: <Release Date>			

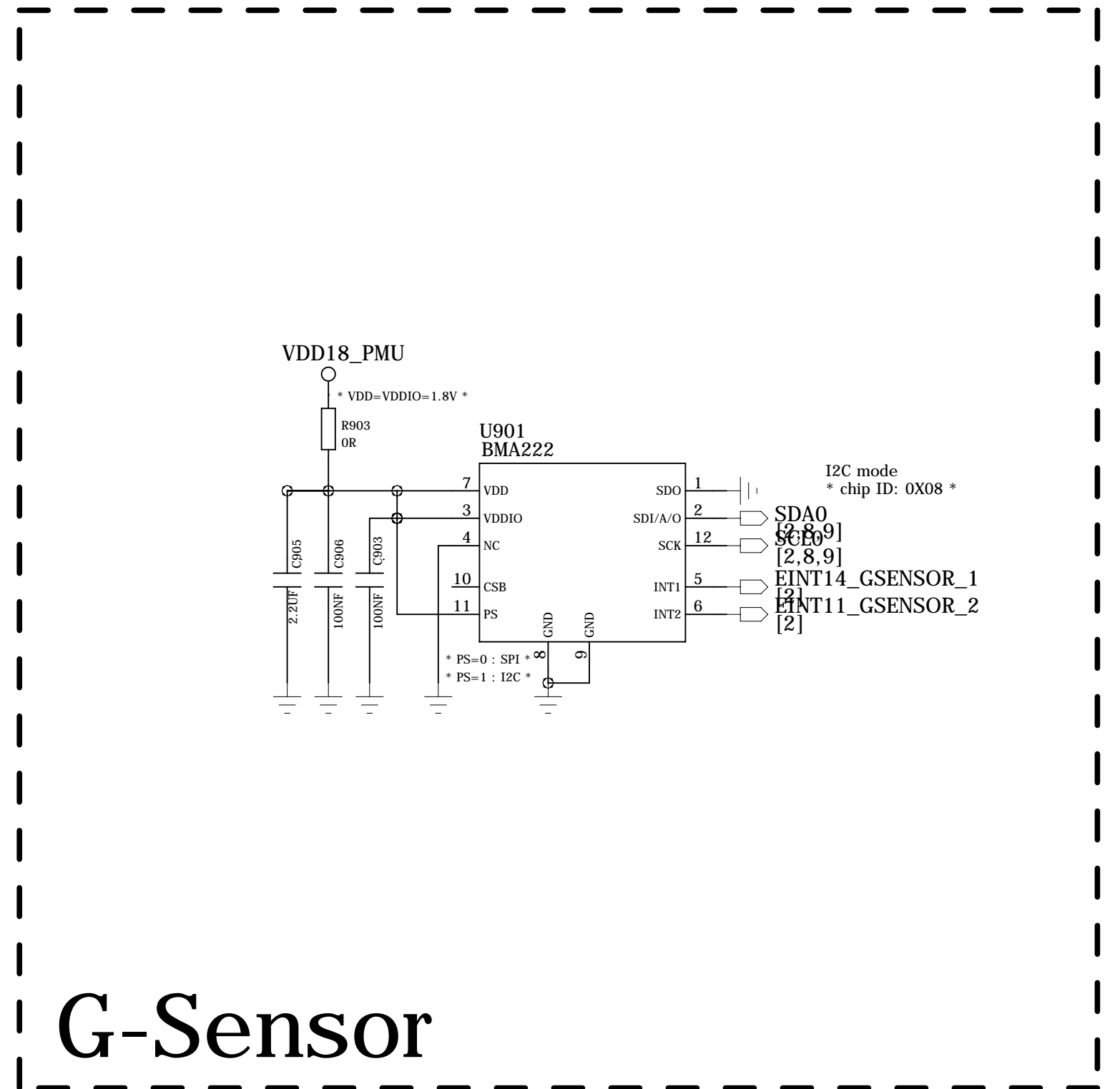
REVISION RECORD	ECO NO.	APPROVED:	DATE:



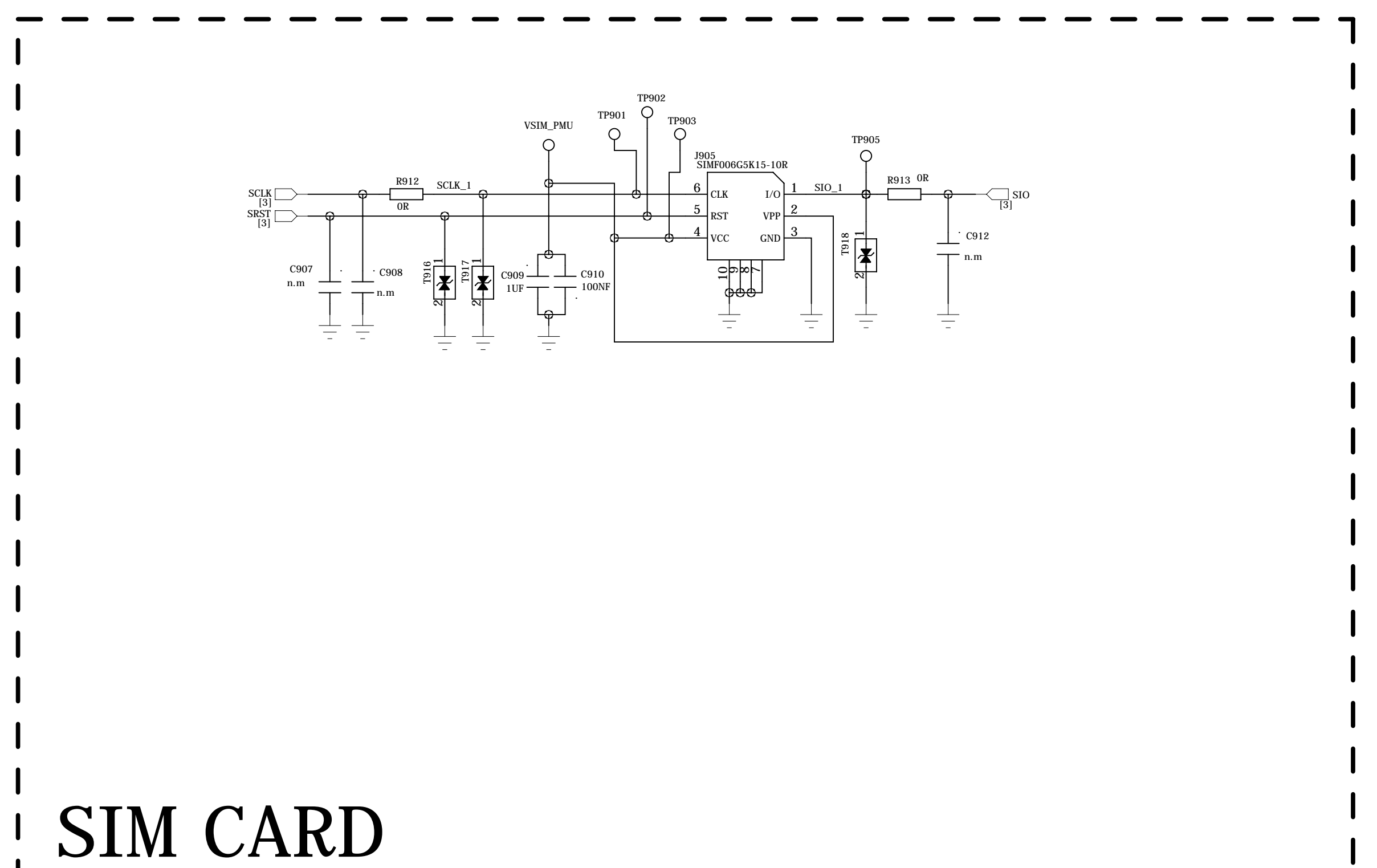
REVISION RECORD			
LTR	ECO NO.	APPROVED:	DATE:



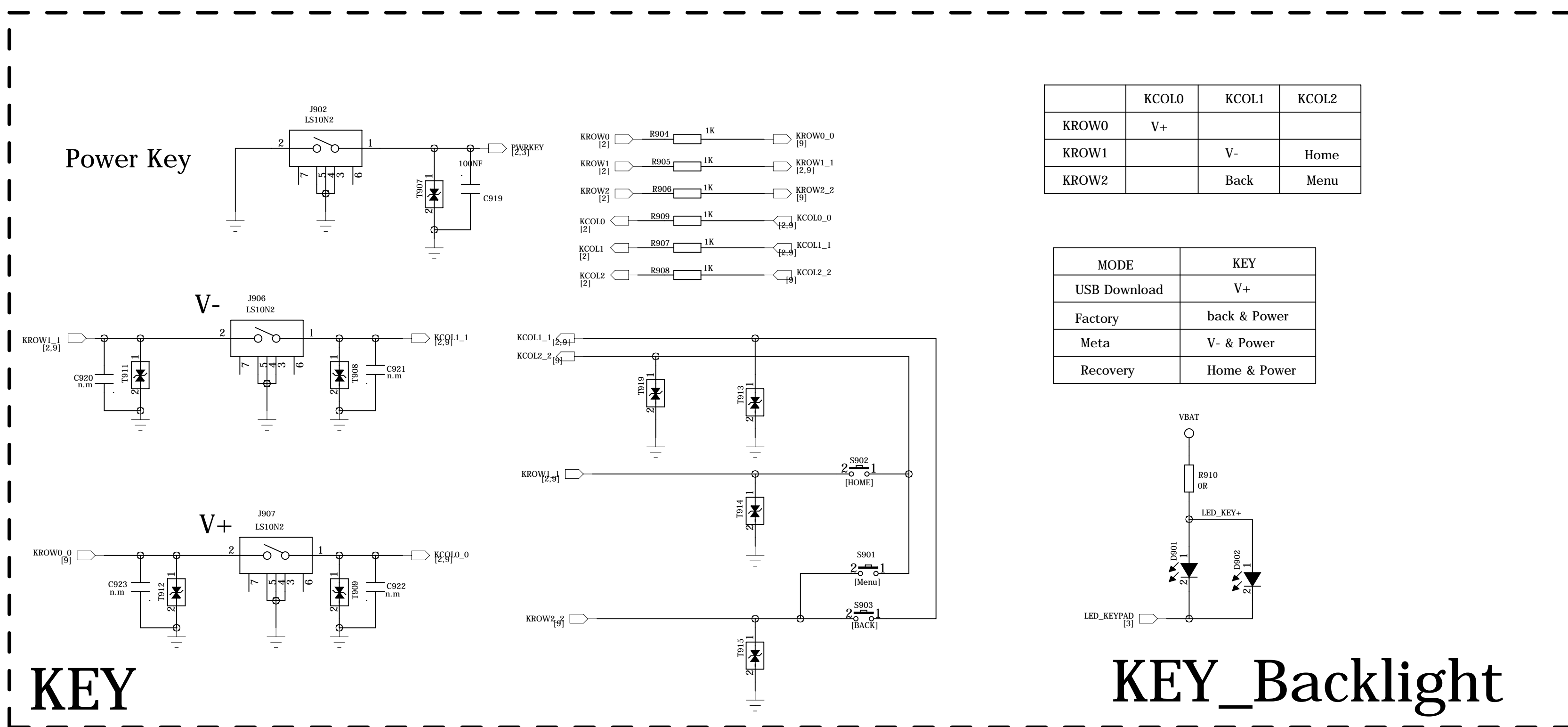
ALS & PS Sensor



G-Sensor



SIM CARD



KEY

KEY\_Backlight

	KCOL0	KCOL1	KCOL2
KROW0	V+		
KROW1		V-	Home
KROW2		Back	Menu

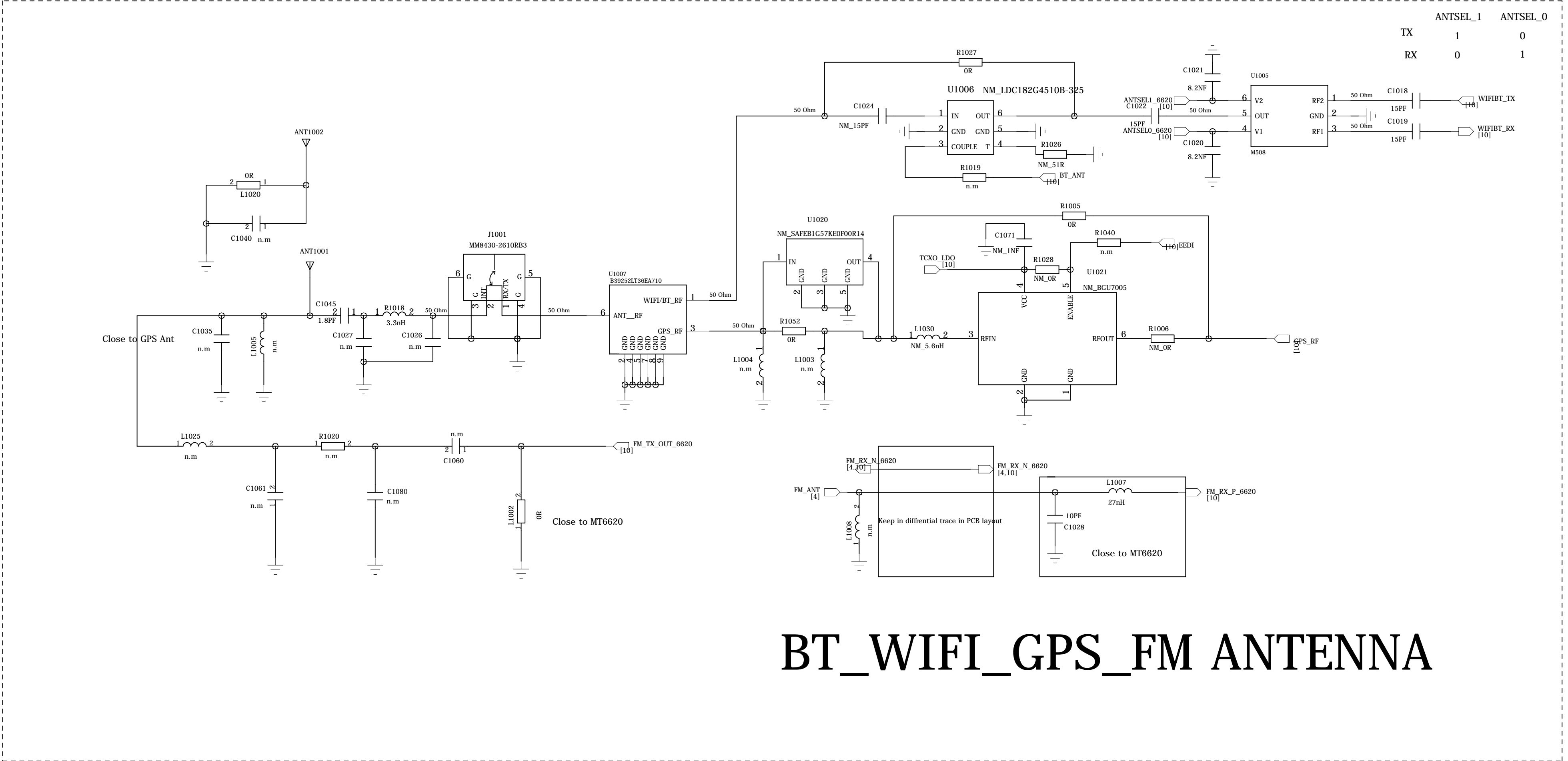
MODE	KEY
USB Download	V+
Factory	back & Power
Meta	V- & Power
Recovery	Home & Power



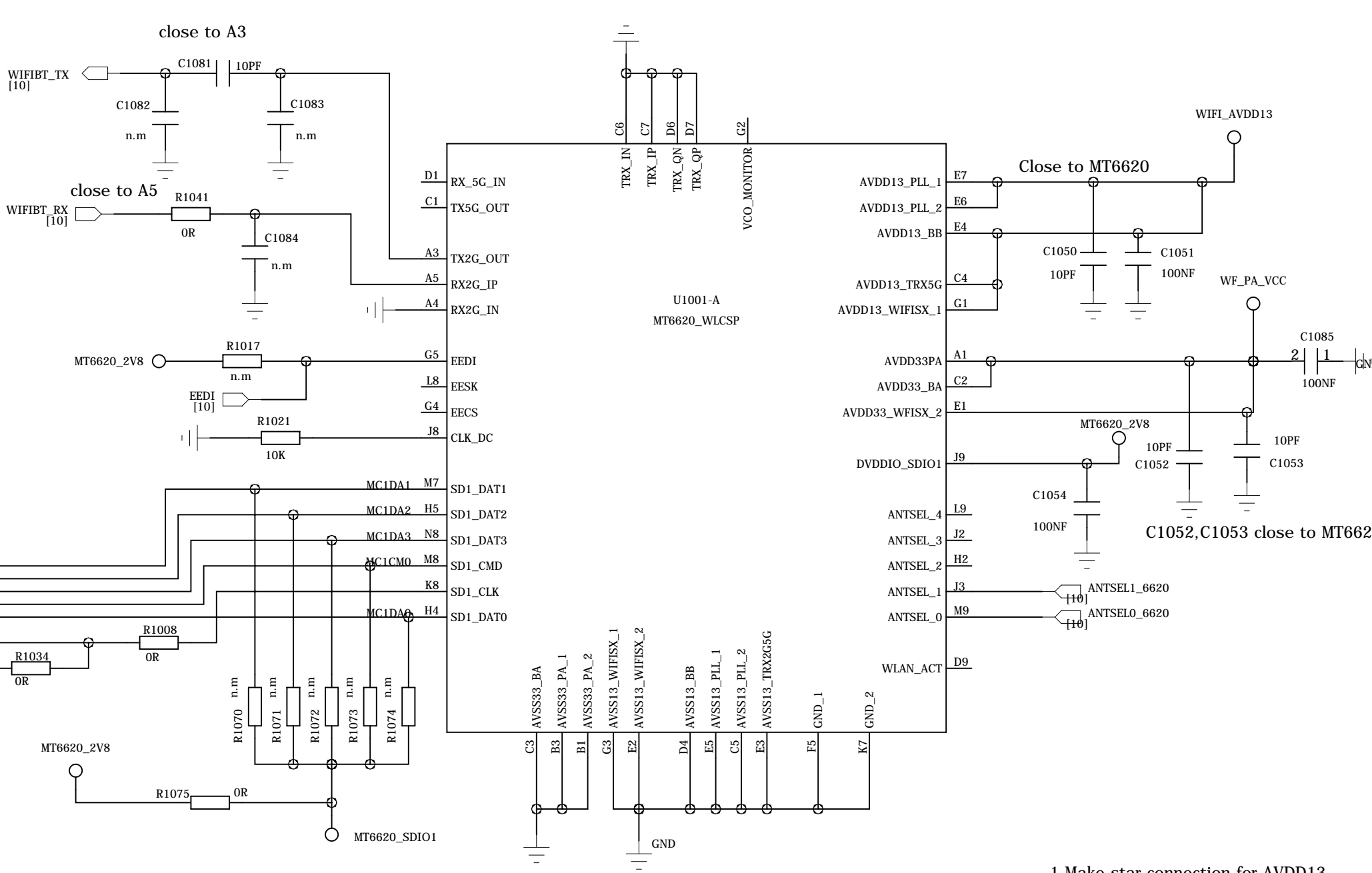
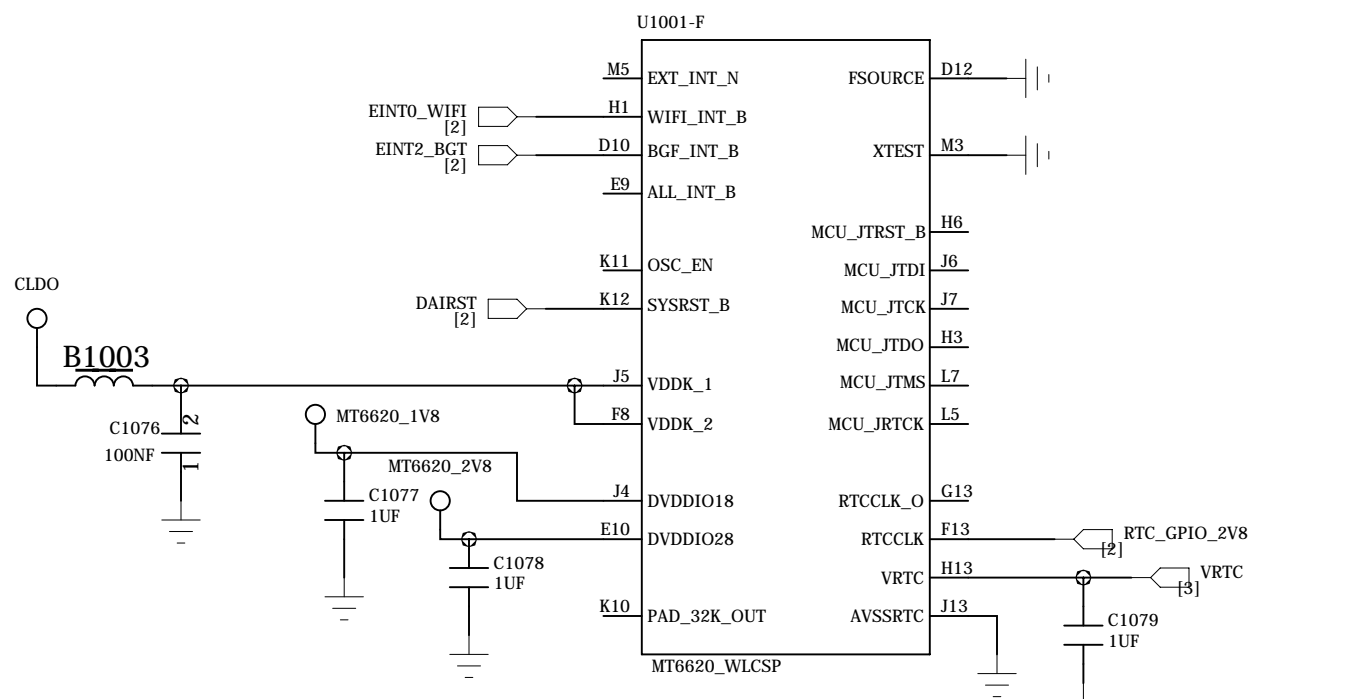
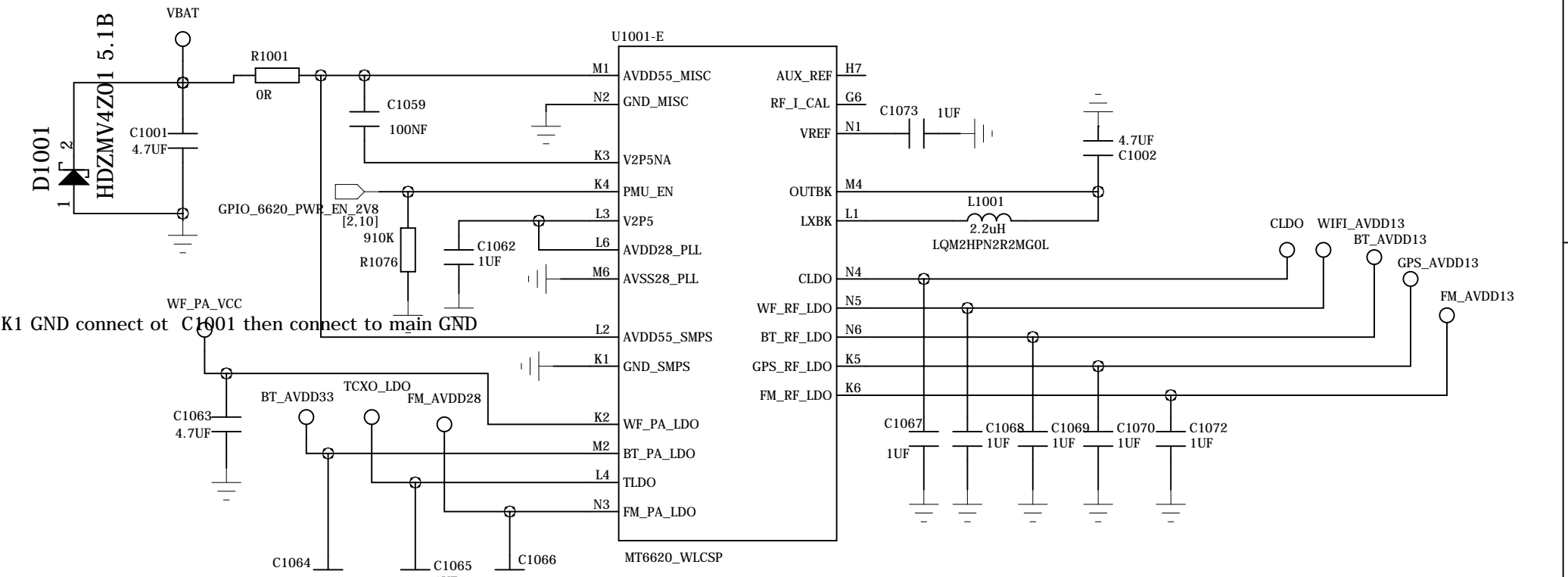
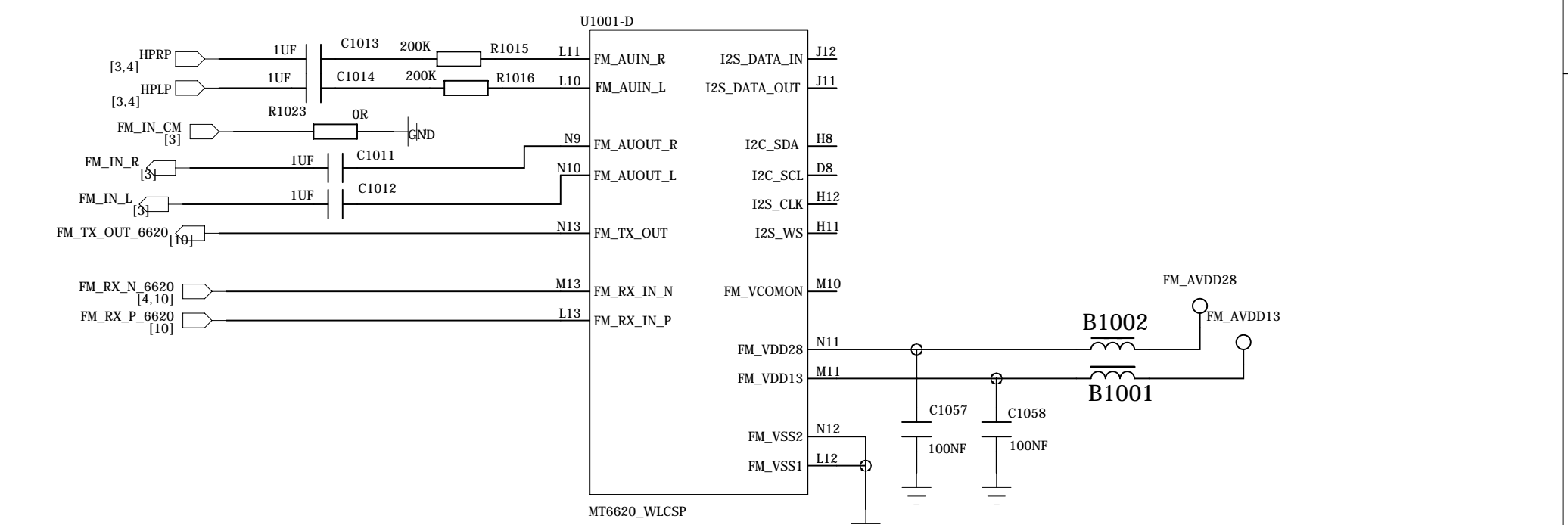
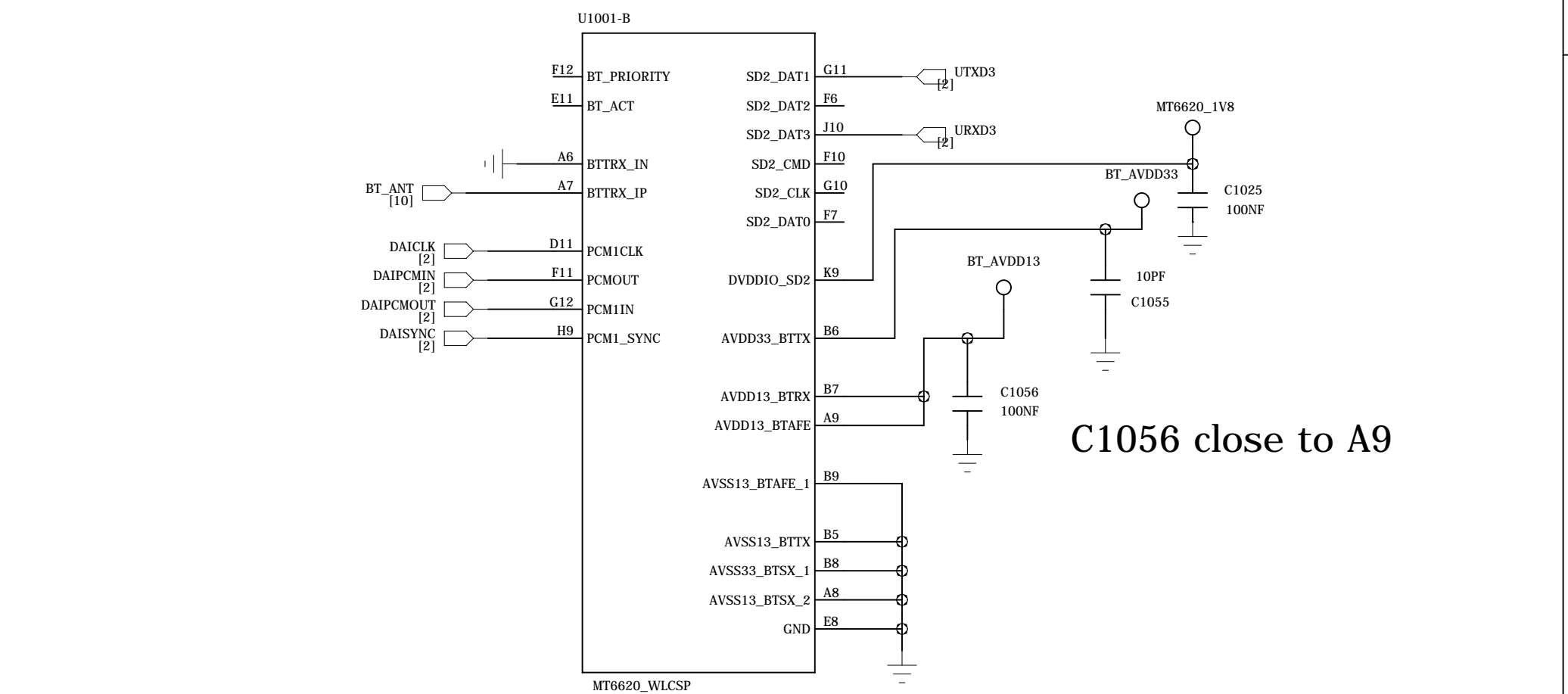
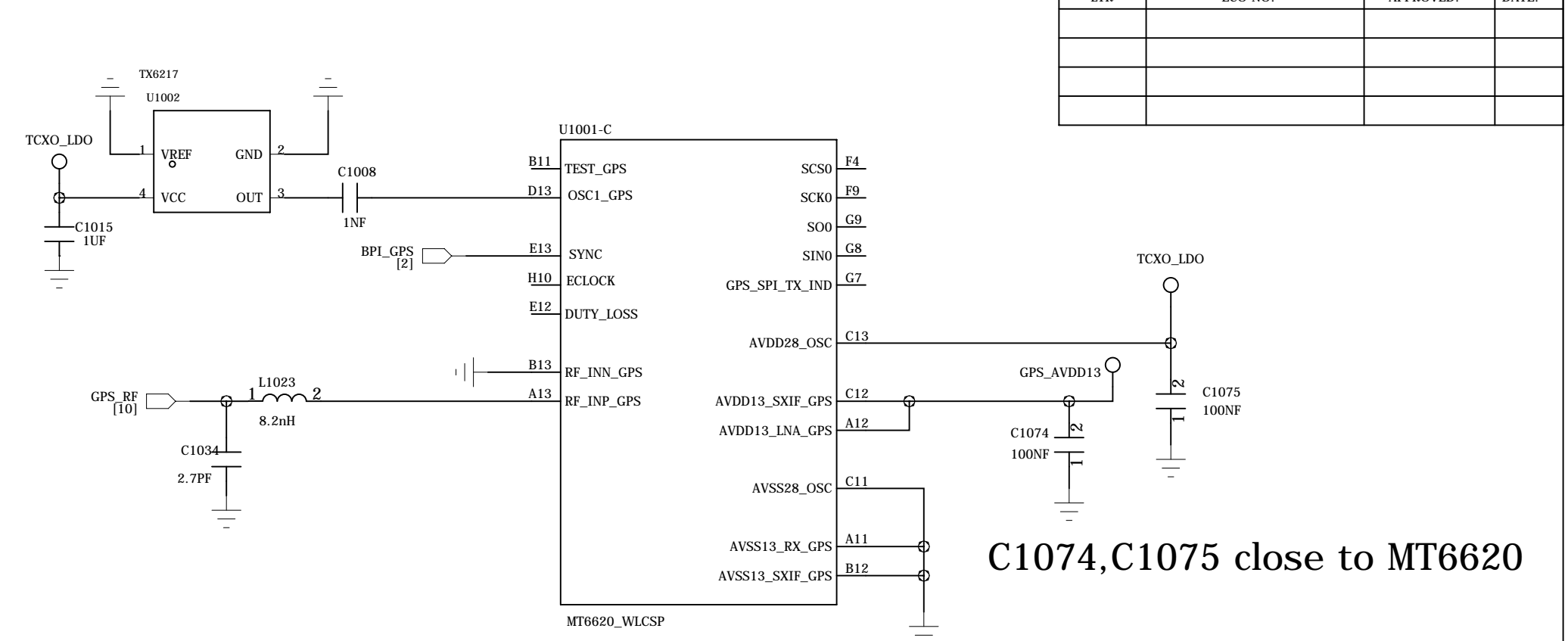
COMPANY:	LENOVOMOBILE		
TITLE:	A366T_MB_H302		

DRAWN: linfenga	DATED: 2011-11-25	CODE:	SIZE:	DRAWING NO:	REV:
CHECKED: liguo	DATED: <Checked Date>	<Code>	D<Drawing Number>	V2.1	
QUALITY CONTROL: <QC By>	DATED: <QC Date>	SCALE: <Scale>		SHEET: 9 of 10	
RELEASED: <Released By>	DATED: <Release Date>				

REVISION RECORD			
LTR	ECO NO:	APPROVED:	DATE:

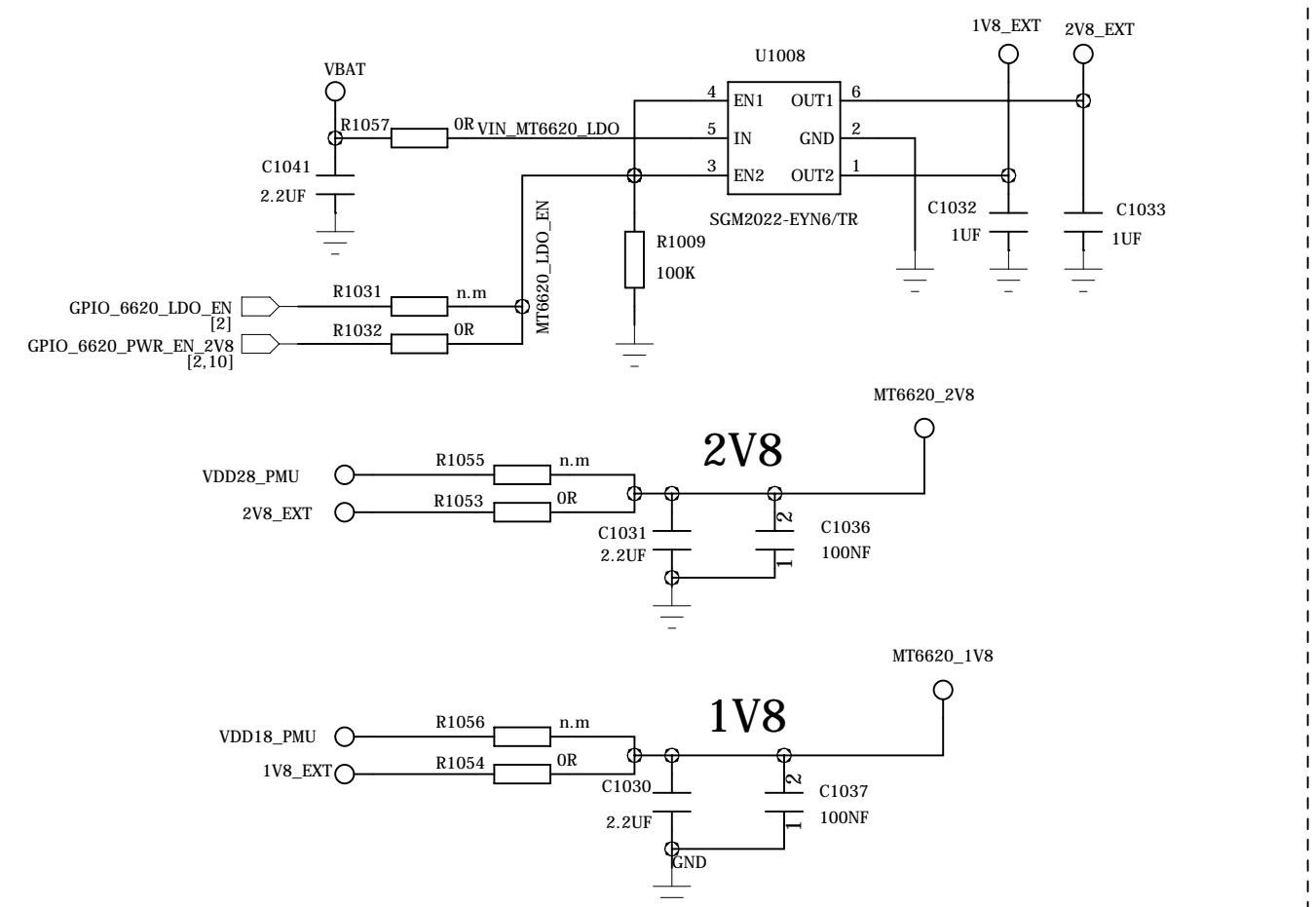


### BT\_WIFI\_GPS\_FM ANTENNA



1. Make star connection for AVDD13
2. Keep AVDD13\_BB, AVDD13\_TRX5G, AVDD13\_WIFI\_SX\_1 away from noise signal

### MT6620 LDO



COMPANY: LENOVMOBILE			
TITLE: A366T_MB_H302			
DRAWN: linfenga	DATED: 2011-11-25	CODE: <Code>	SIZE: <Size>
CHECKED: liguoa	DATED: <Checked Date>	DRAWING NO: D<Drawing Number>	REV: V2.1
QUALITY CONTROL: <QC By>	DATED: <QC Date>	SCALE: <Scale>	SHEET: 10 / 10
RELEASED: <Released By>	DATED: <Release Date>		