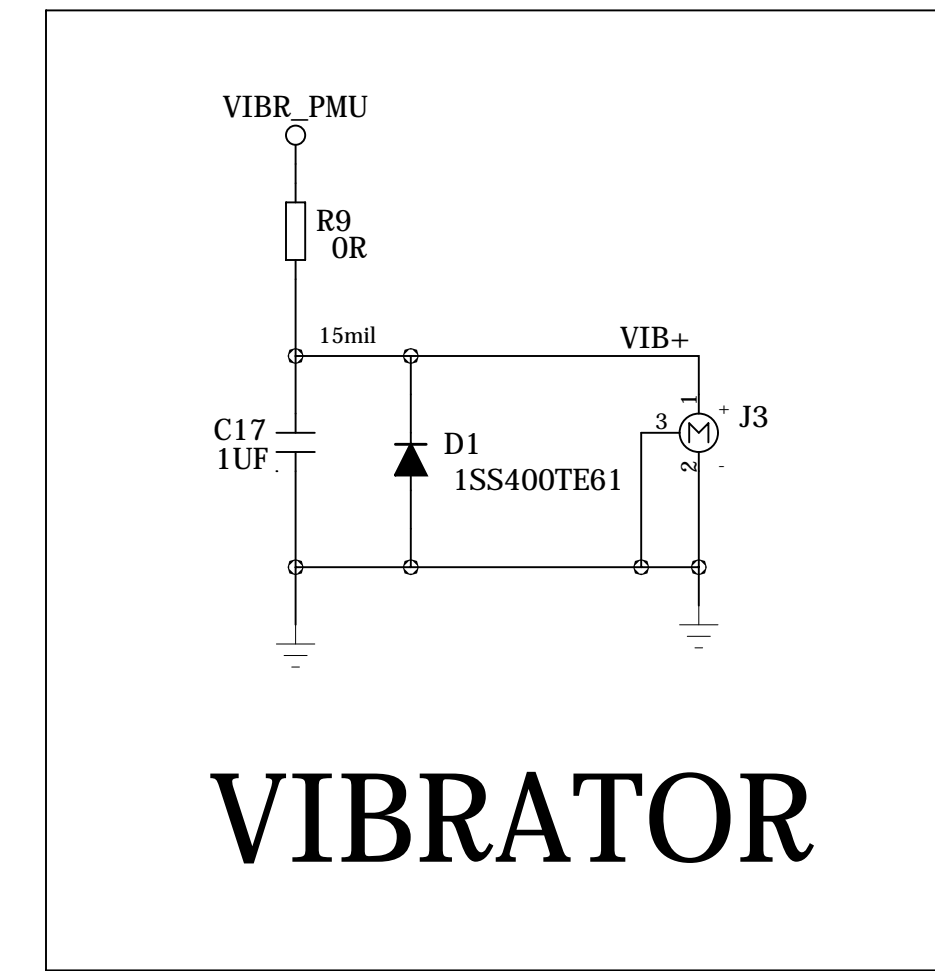
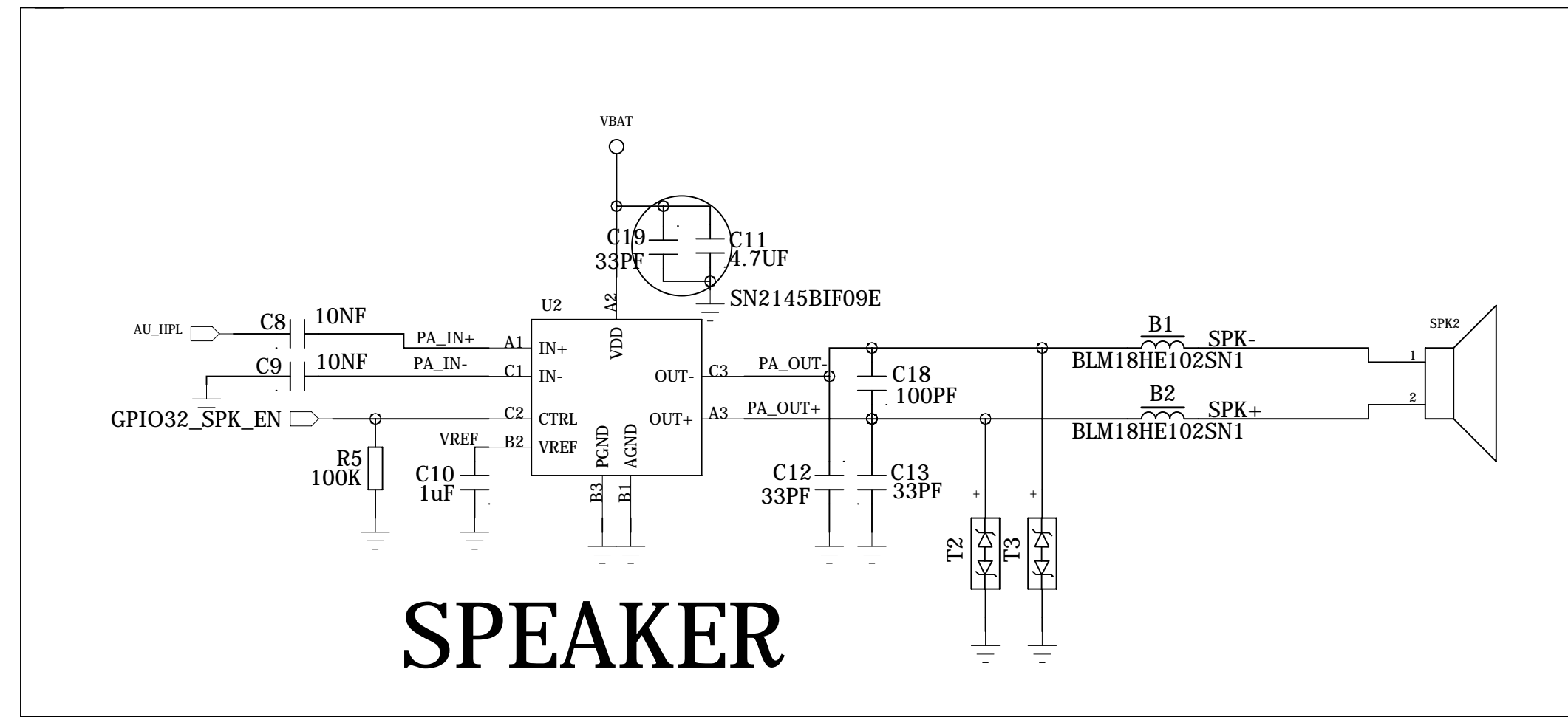
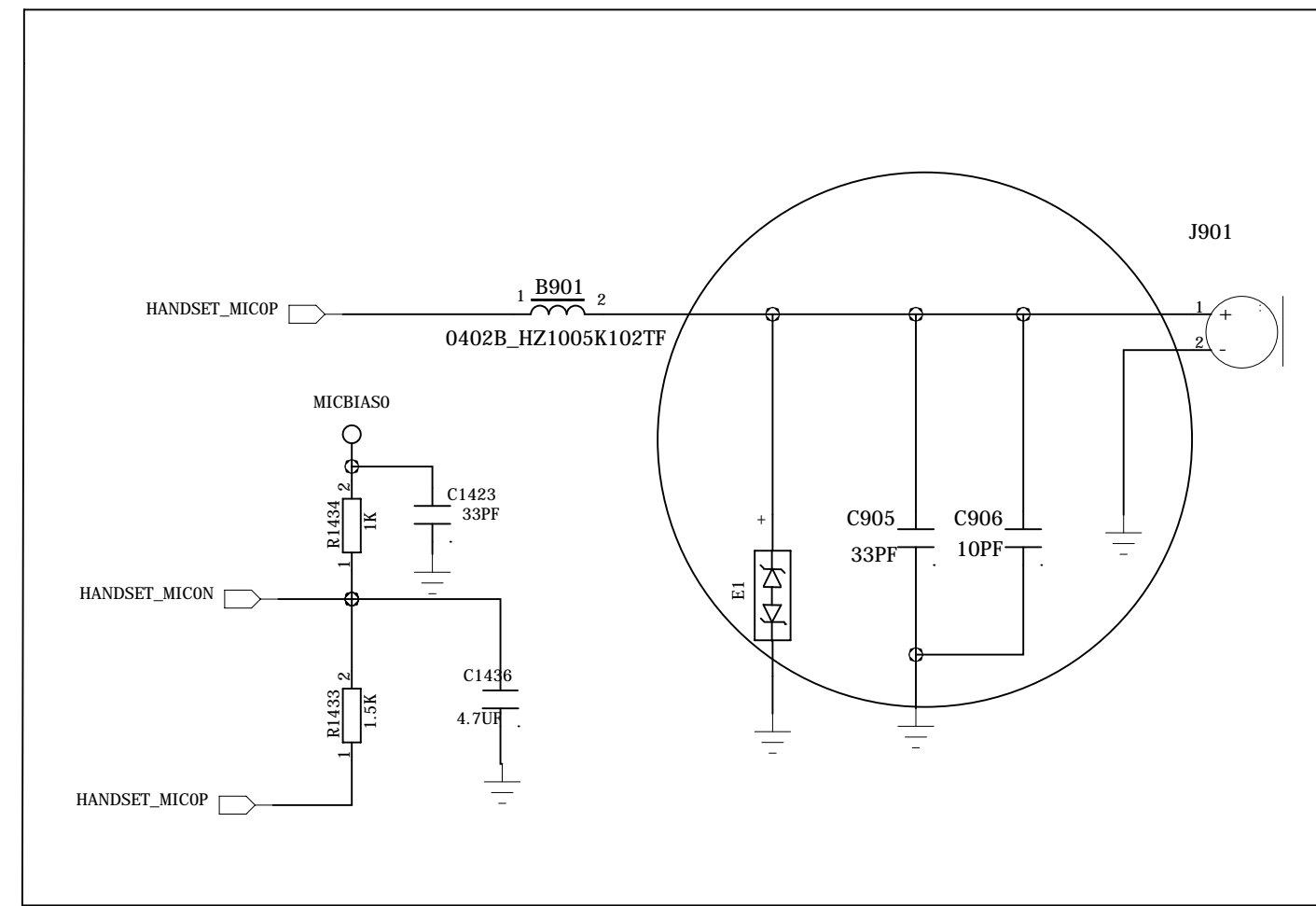
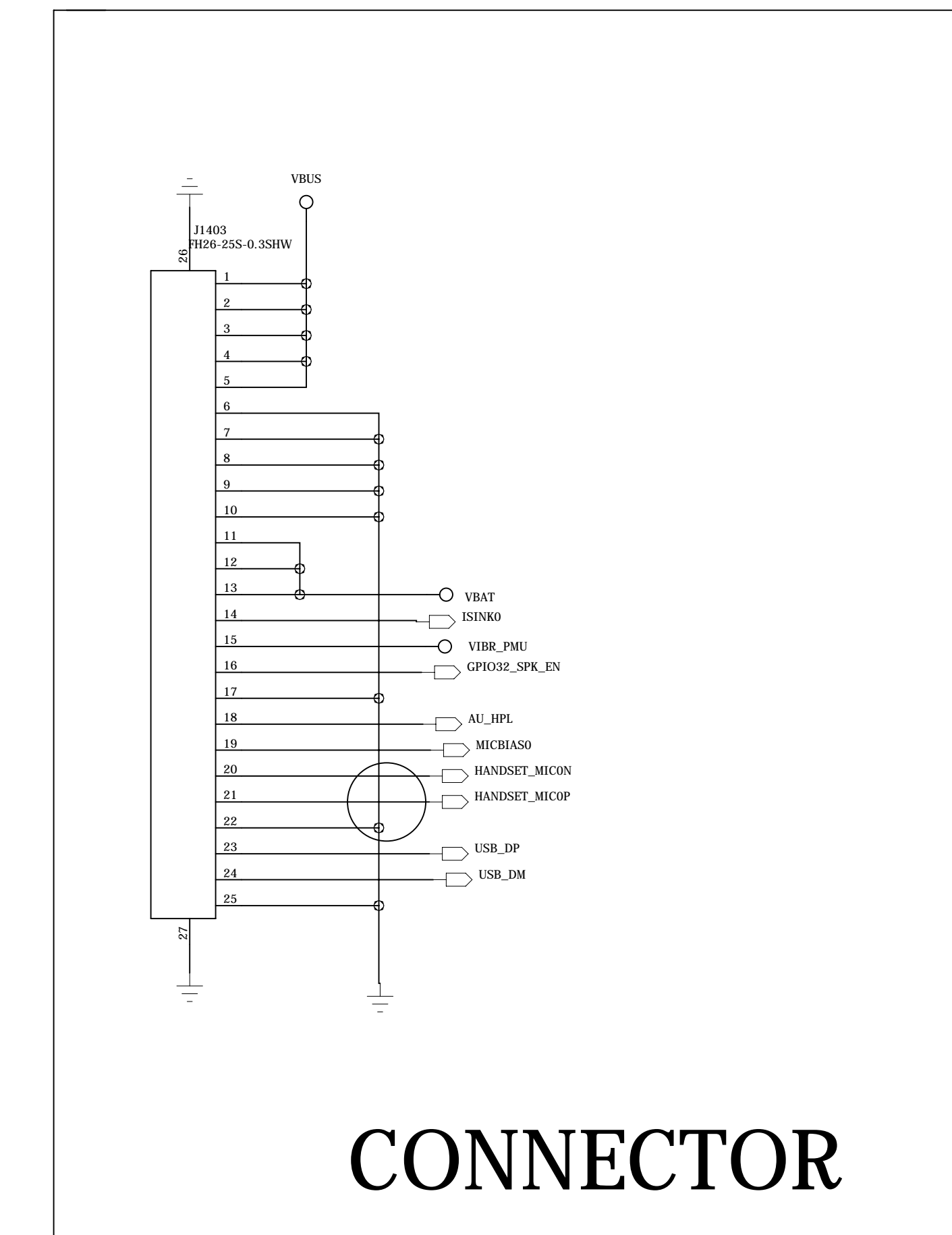


REVISION RECORD			
LTR	ECO NO:	APPROVED	DATE

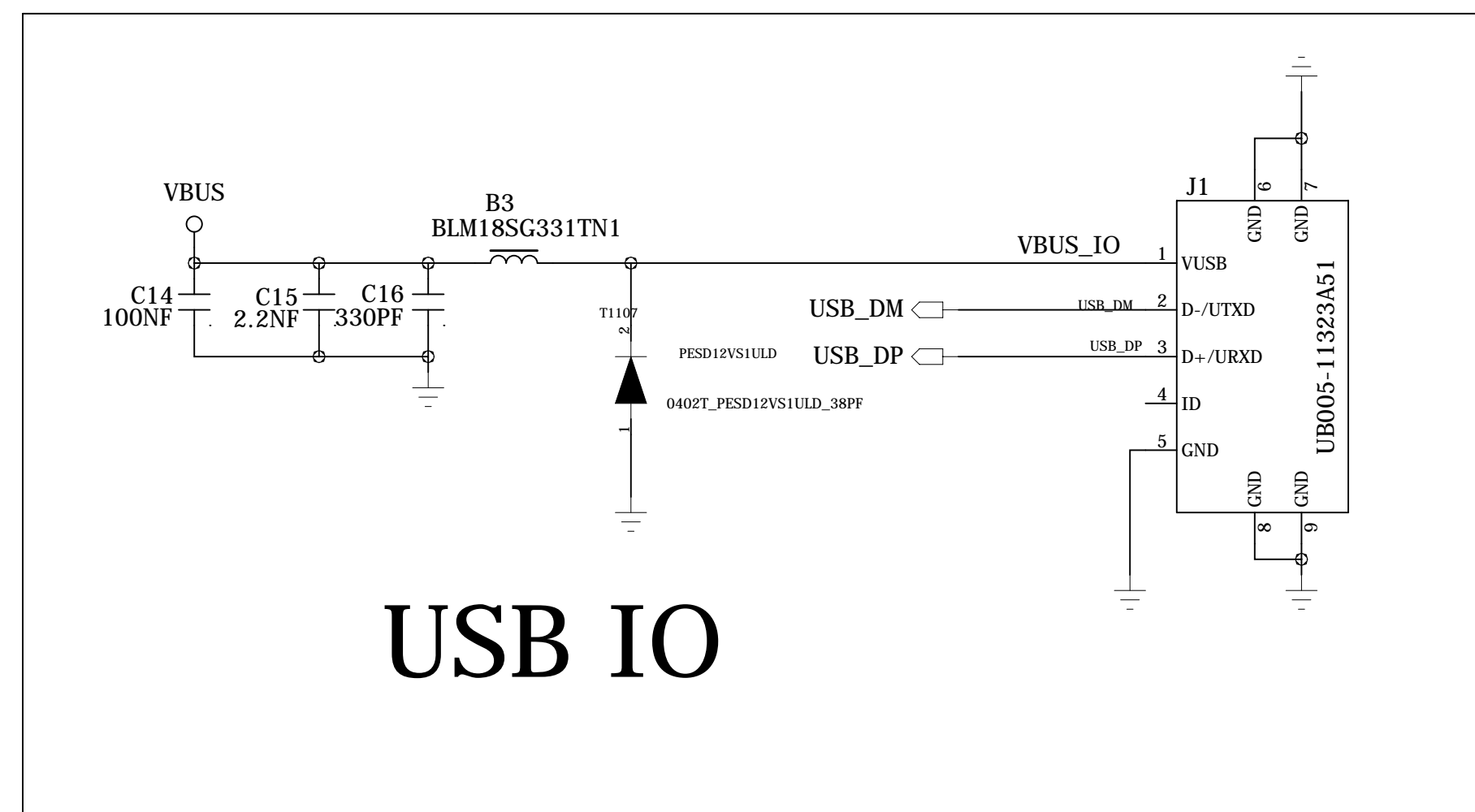


**SPEAKER**

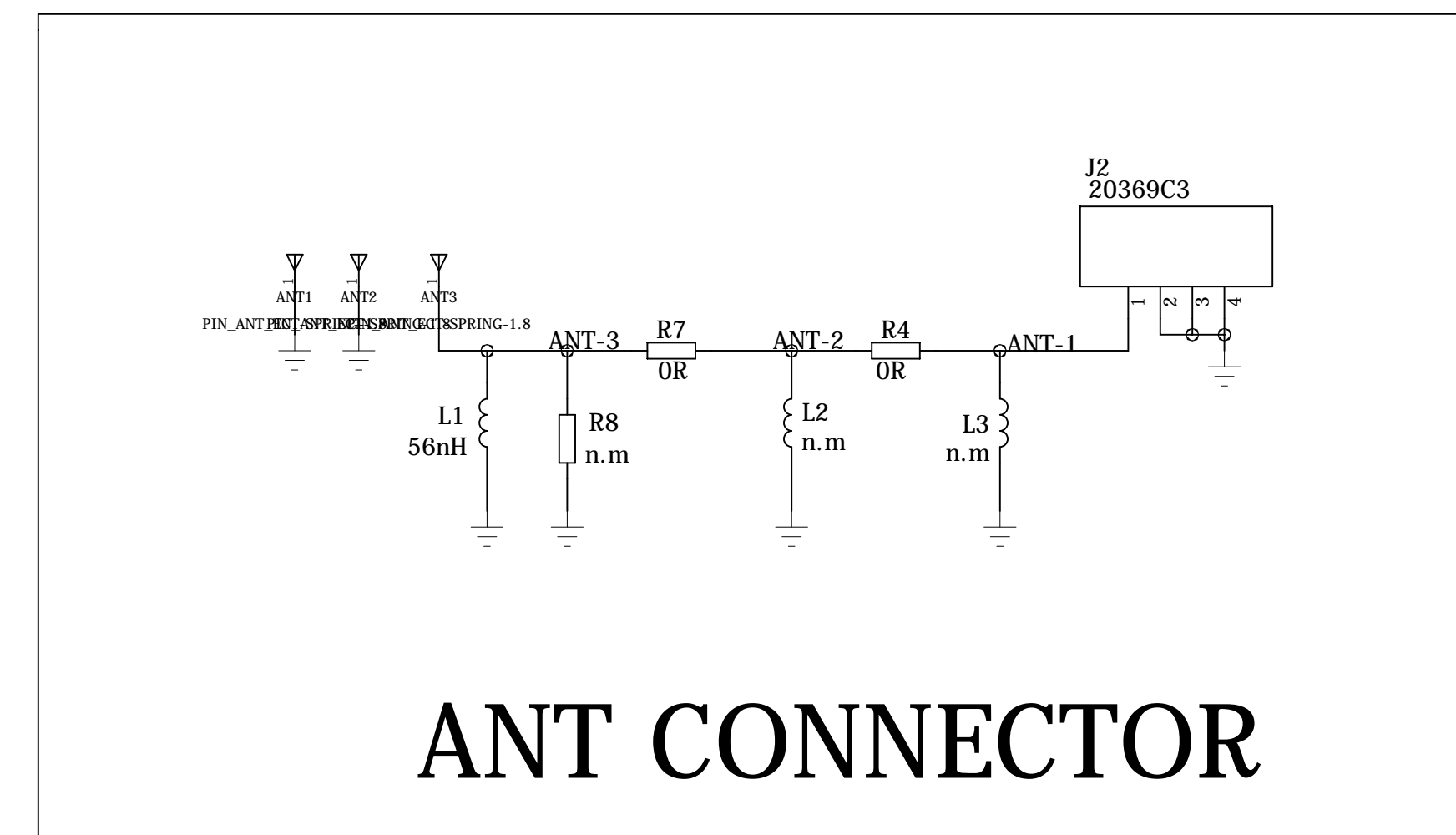
**VIBRATOR**



**CONNECTOR**



**USB IO**



**ANT CONNECTOR**

